



US00D587208S

(12) **United States Design Patent**
Tsai et al.

(10) **Patent No.:** **US D587,208 S**
(45) **Date of Patent:** **** Feb. 24, 2009**

(54) **ELECTRICAL CONNECTOR**

(75) Inventors: **Tzu-Ching Tsai**, Tu-cheng (TW);
Ren-Chih Li, Tu-cheng (TW)

(73) Assignee: **Hon Hai Precision Ind. Co., Ltd.**,
Taipei Hsien (TW)

(**) Term: **14 Years**

(21) Appl. No.: **29/308,587**

(22) Filed: **Jun. 23, 2008**

(30) **Foreign Application Priority Data**

Dec. 31, 2007 (TW) 96307127

(51) **LOC (9) Cl.** **13-03**

(52) **U.S. Cl.** **D13/147**

(58) **Field of Classification Search** D13/146-147,
D13/154, 184; 439/79, 108, 378, 607-610,
439/660, 668, 680

See application file for complete search history.

(56) **References Cited**

U.S. PATENT DOCUMENTS

D435,244 S * 12/2000 Lok D13/147
D490,377 S * 5/2004 Sato D13/147
D517,016 S * 3/2006 Nishio et al. D13/147
D517,489 S * 3/2006 Kawase et al. D13/147
D531,127 S * 10/2006 Zhong et al. D13/147
D556,690 S * 12/2007 Ikegami D13/147

D575,236 S * 8/2008 Tago et al. D13/147
D576,555 S * 9/2008 Bruseloff D13/147
2007/0293079 A1 * 12/2007 Chao et al. 439/352
2008/0102685 A1 * 5/2008 Weis et al. 439/378

* cited by examiner

Primary Examiner—Daniel D Bui

(74) *Attorney, Agent, or Firm*—Wei Te Chung

(57) **CLAIM**

The ornamental design for an electrical connector, as shown and described.

DESCRIPTION

FIG. 1 is a front, top and right side perspective view of an electrical connector showing our new design;

FIG. 2 is a front elevational view thereof;

FIG. 3 is a rear elevational view thereof;

FIG. 4 is a left side elevational view thereof;

FIG. 5 is a right side elevational view thereof;

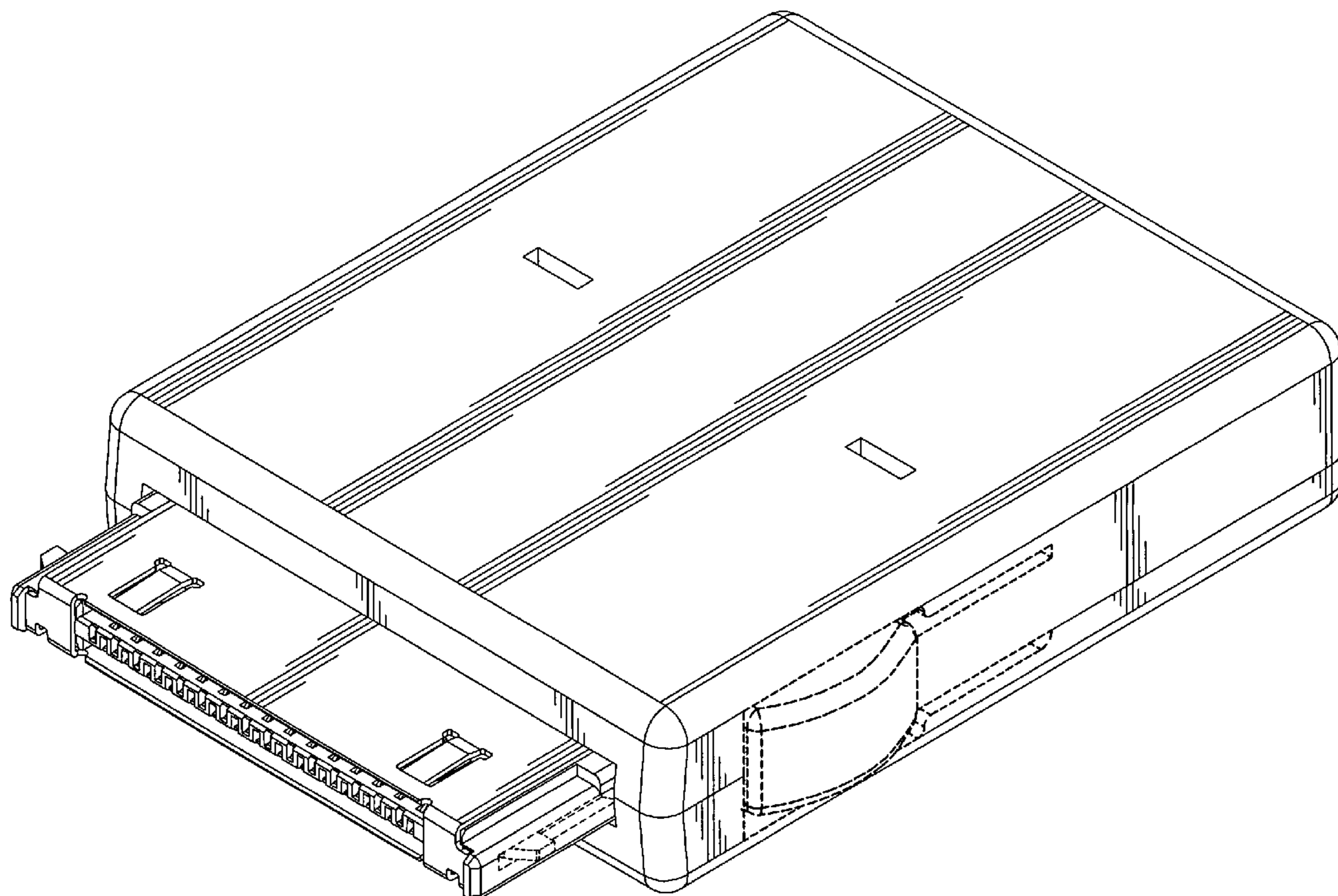
FIG. 6 is a top plan view thereof;

FIG. 7 is a bottom plan view thereof; and,

FIG. 8 is a rear, top and left side perspective view thereof.

The broken line showing unclaimed internal elements is for illustrative purposes only and forms on part of the claimed design.

1 Claim, 8 Drawing Sheets



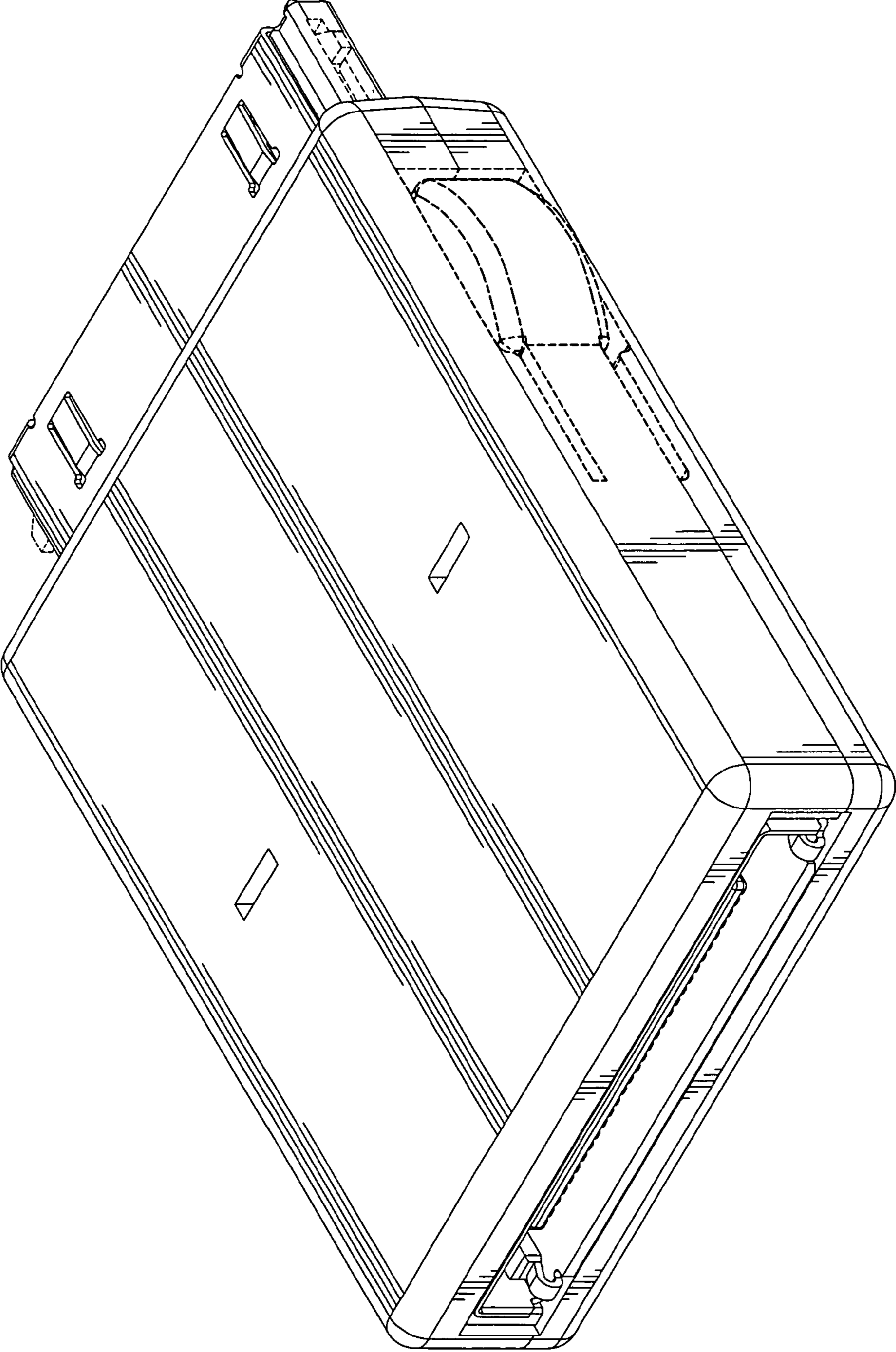


FIG. 1

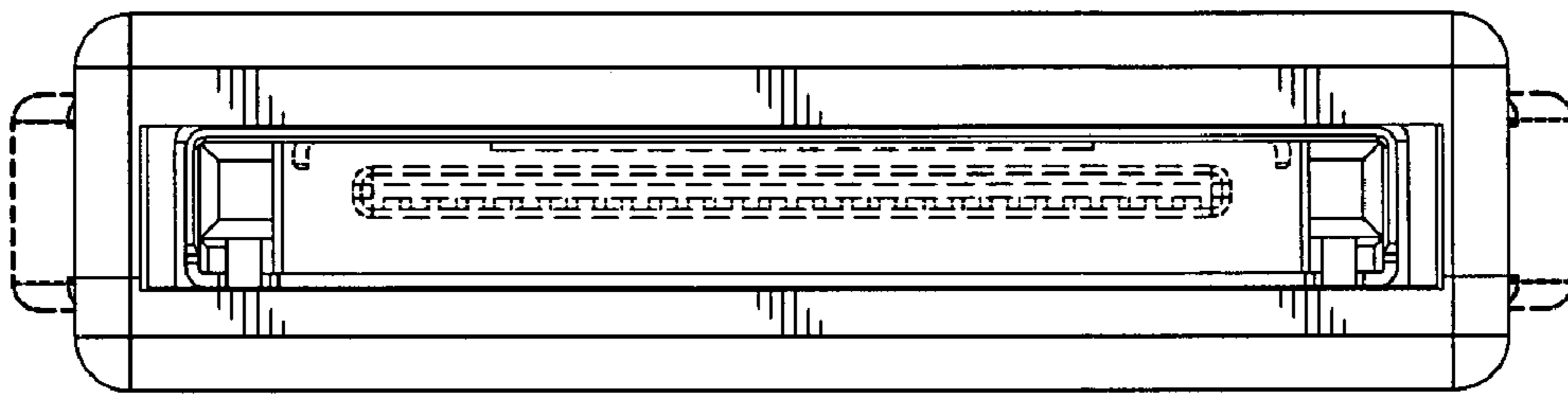


FIG. 2

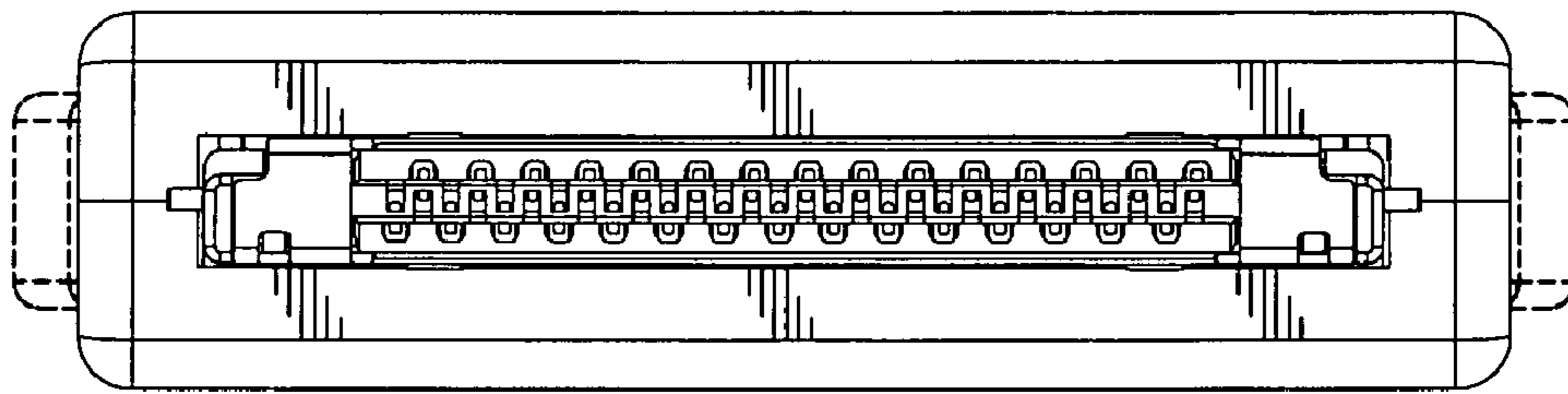


FIG. 3

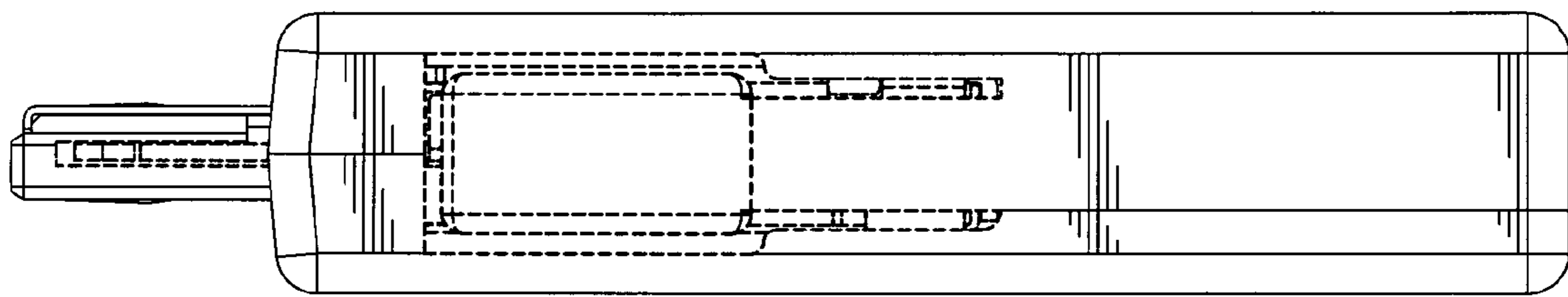


FIG. 4

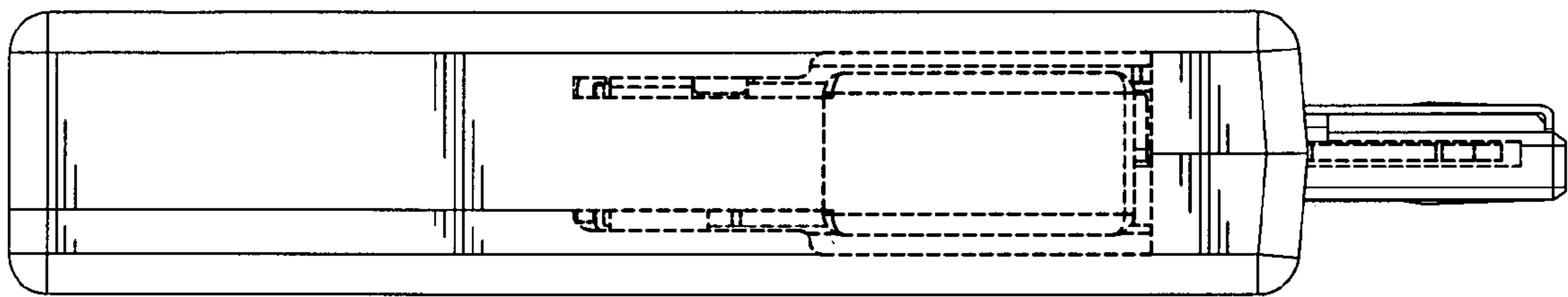


FIG. 5

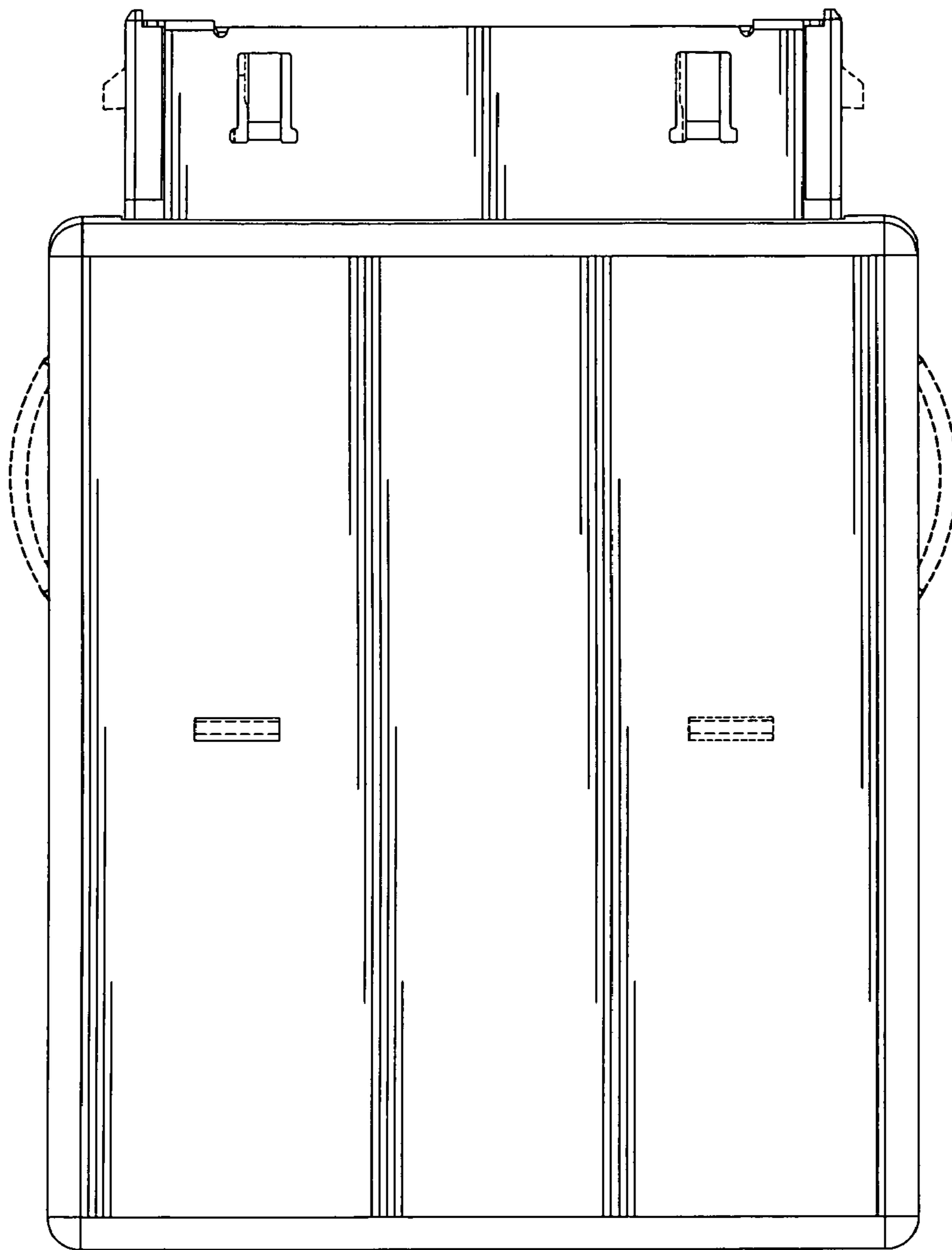


FIG. 6

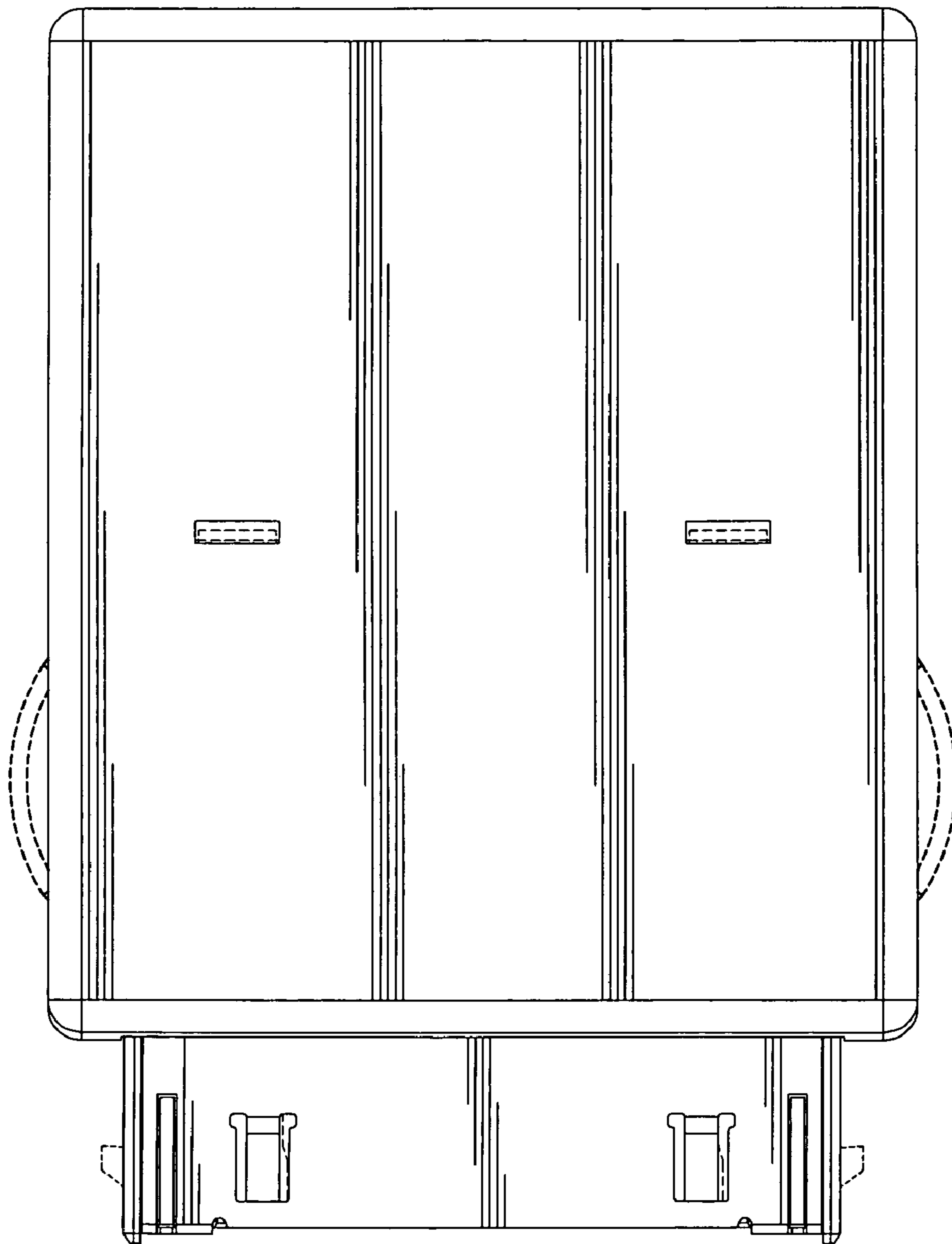


FIG. 7

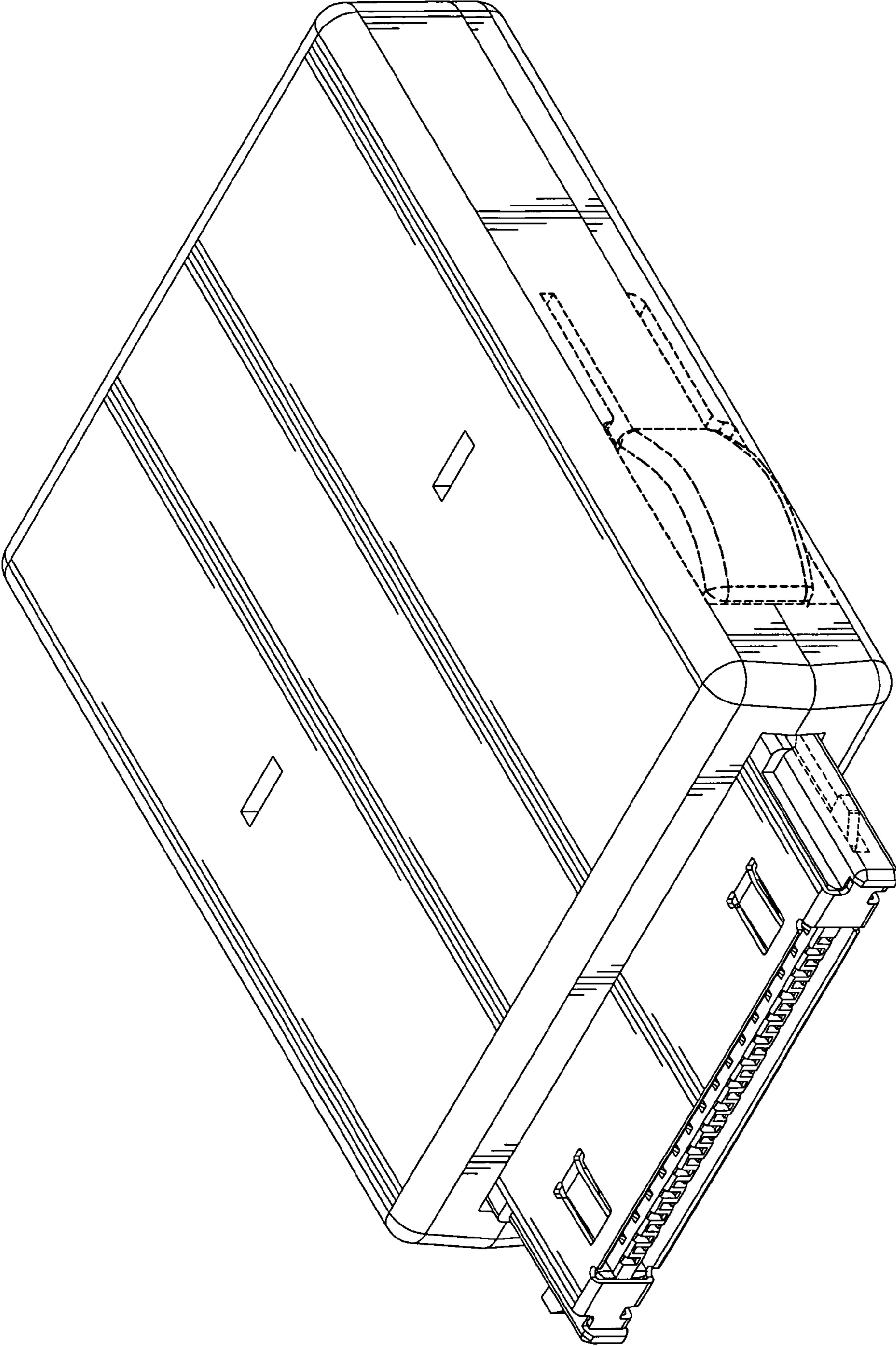


FIG. 8