



US00D587207S

(12) **United States Design Patent**
Fujimoto et al.

(10) **Patent No.:** **US D587,207 S**

(45) **Date of Patent:** **** *Feb. 24, 2009**

(54) **CONNECTOR**

(75) Inventors: **Masaki Fujimoto**, Tsu (JP); **Tetsurou Kitao**, Tsu (JP); **Tsuyoshi Yamane**, Tsu (JP); **Daisuke Satou**, Tsu (JP)

(73) Assignee: **Matsushita Electric Works Co., Ltd.**, Osaka (JP)

(*) Notice: This patent is subject to a terminal disclaimer.

(**) Term: **14 Years**

(21) Appl. No.: **29/286,941**

(22) Filed: **May 23, 2007**

(30) **Foreign Application Priority Data**

Dec. 25, 2006 (JP) 2006-035512

(51) **LOC (9) Cl.** **13-03**

(52) **U.S. Cl.** **D13/147**

(58) **Field of Classification Search** D13/133,
D13/146–147, 154, 184; 439/79, 108, 378,
439/607–610, 660, 668, 680
See application file for complete search history.

(56) **References Cited**

U.S. PATENT DOCUMENTS

| | | | | |
|--------------|---------|---------------|-------|---------|
| D344,492 S * | 2/1994 | Nakamura | | D13/147 |
| D345,343 S * | 3/1994 | Nakamura | | D13/147 |
| D416,231 S * | 11/1999 | Chiou | | D13/147 |
| D478,050 S * | 8/2003 | Nishio et al. | | D13/147 |
| D480,685 S * | 10/2003 | Hagiwara | | D13/147 |
| D481,681 S * | 11/2003 | Takahashi | | D13/147 |
| D482,331 S * | 11/2003 | Suzuki et al. | | D13/147 |
| D482,658 S * | 11/2003 | Shao | | D13/147 |
| D509,190 S * | 9/2005 | Tsai | | D13/147 |

| | | | | |
|--------------|---------|------------------|-------|---------|
| D509,799 S * | 9/2005 | Tsai | | D13/147 |
| D522,460 S * | 6/2006 | Chiang et al. | | D13/147 |
| D523,400 S * | 6/2006 | Shang-Yen et al. | | D13/147 |
| D523,813 S * | 6/2006 | He et al. | | D13/147 |
| D523,817 S * | 6/2006 | Nishio et al. | | D13/147 |
| D524,747 S * | 7/2006 | Nishio et al. | | D13/147 |
| D538,232 S * | 3/2007 | Wan et al. | | D13/147 |
| D540,746 S * | 4/2007 | Watanabe et al. | | D13/147 |
| D543,151 S * | 5/2007 | Watanabe et al. | | D13/147 |
| D550,160 S * | 9/2007 | Fujimoto | | D13/147 |
| D555,100 S * | 11/2007 | Ikegami | | D13/147 |
| D560,612 S * | 1/2008 | Arai et al. | | D13/147 |

* cited by examiner

Primary Examiner—Daniel D Bui

(74) *Attorney, Agent, or Firm*—Osha • Liang LLP

(57) **CLAIM**

The ornamental design for a connector, as shown and described.

DESCRIPTION

FIG. 1 is a front, top, and right perspective view of a connector, showing our new design.

FIG. 2 is a front view thereof.

FIG. 3 is a back view thereof.

FIG. 4 is a left side view thereof.

FIG. 5 is a right side view thereof.

FIG. 6 is a top view thereof.

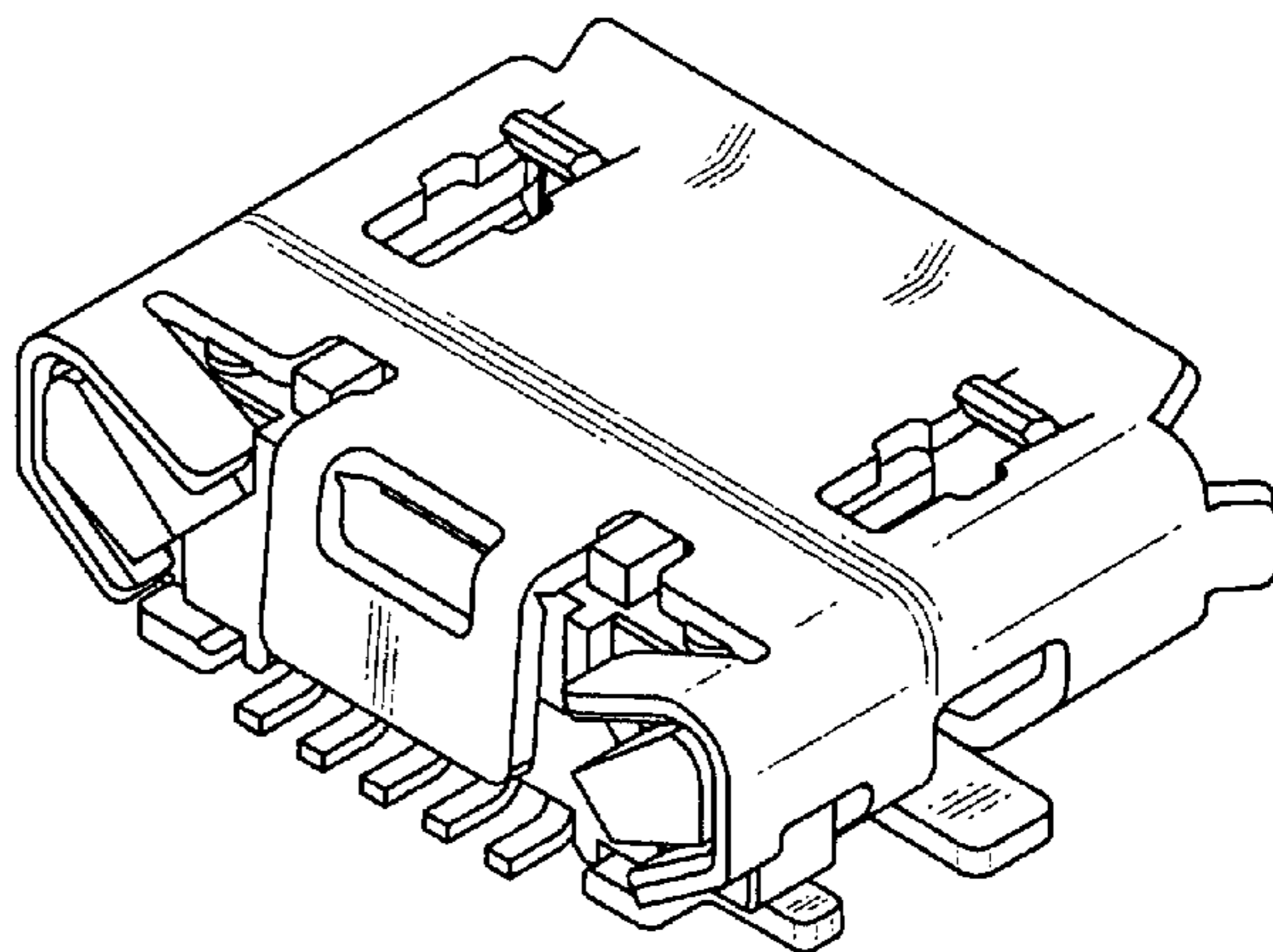
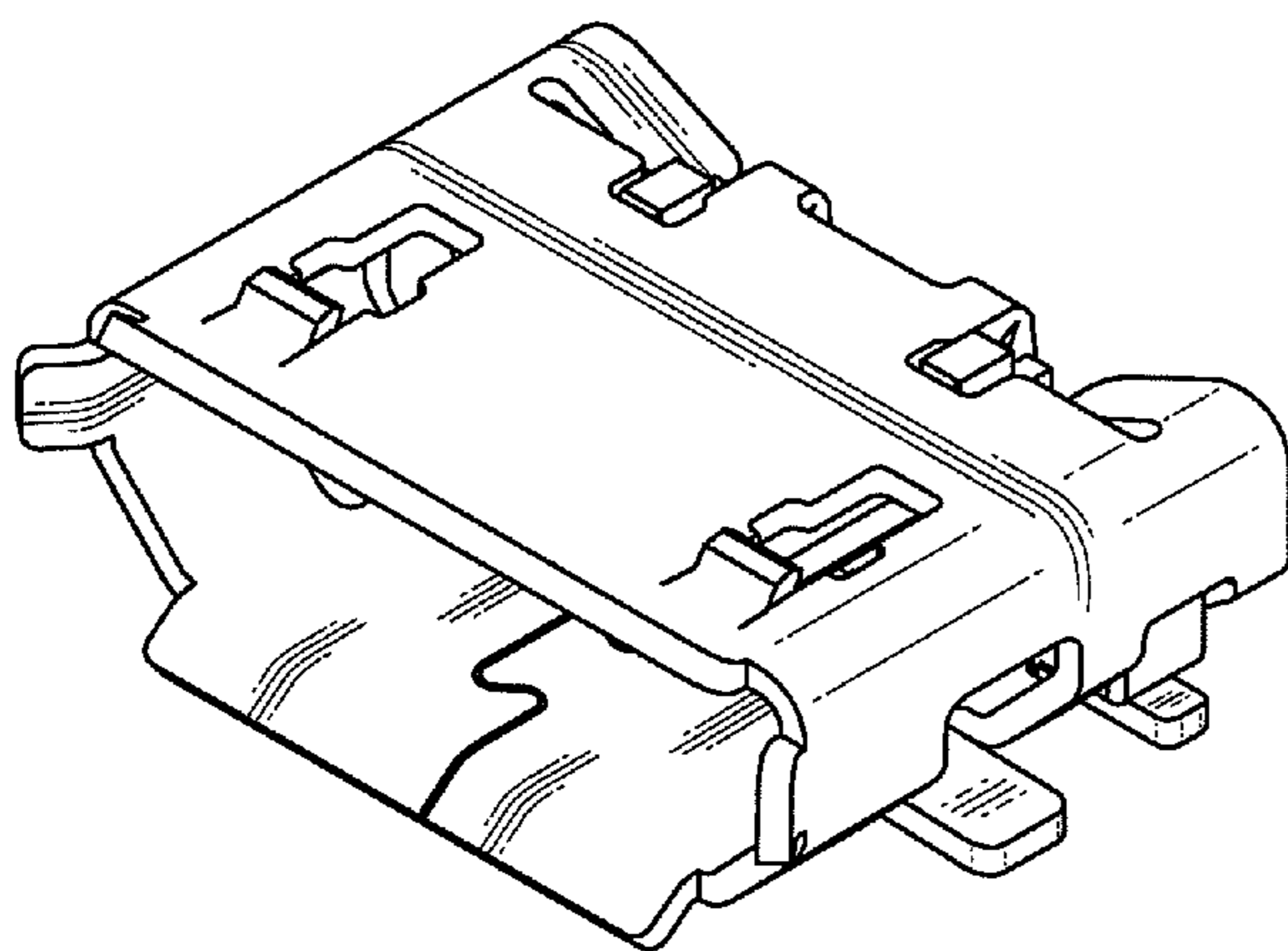
FIG. 7 is a bottom view thereof.

FIG. 8 is a cross-sectional view thereof along line 8—8 in FIG. 2.

FIG. 9 is a back, top, left perspective view thereof; and,

FIG. 10 is a back, bottom, left perspective view thereof.

1 Claim, 5 Drawing Sheets



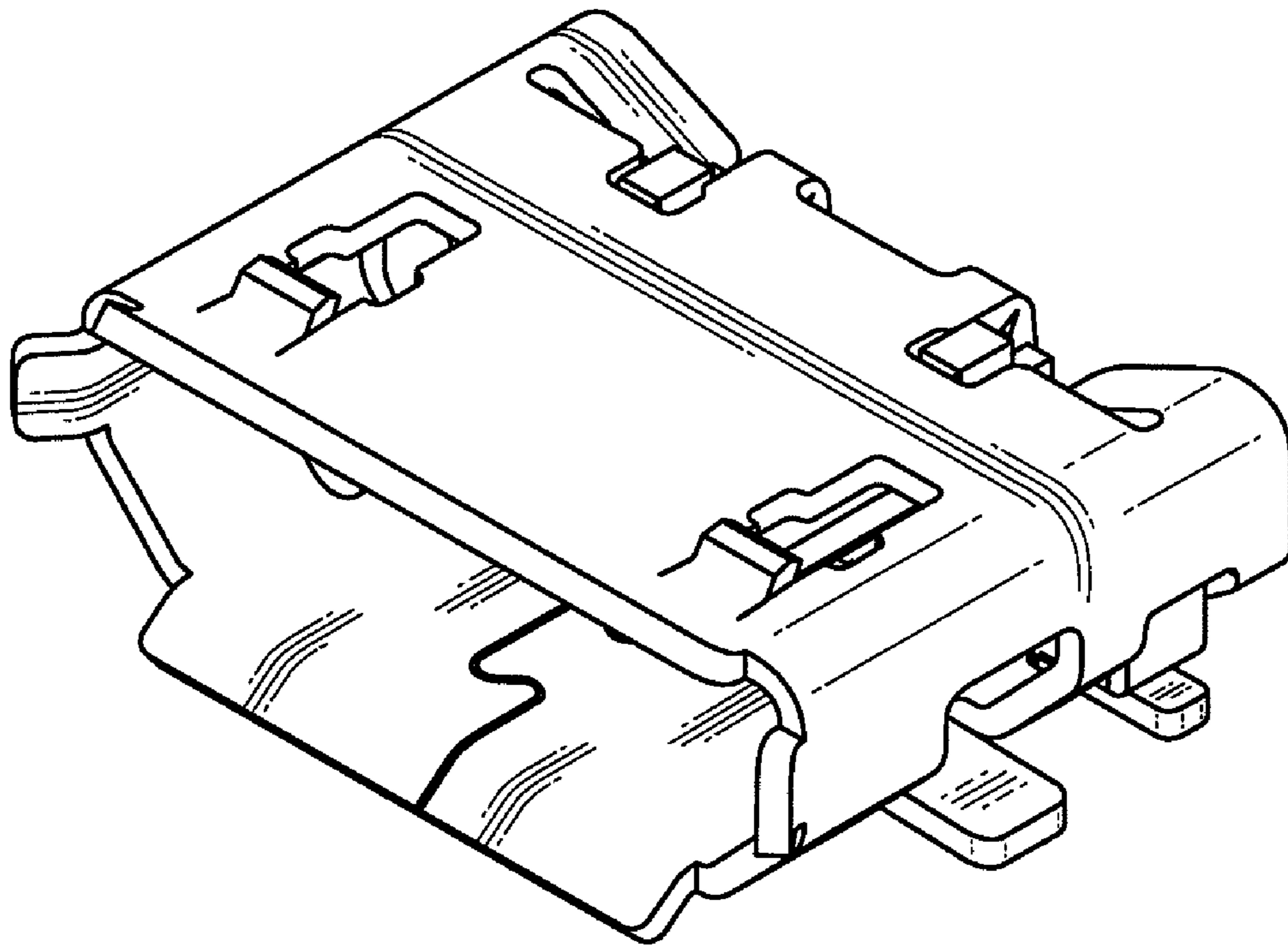


FIG. 1

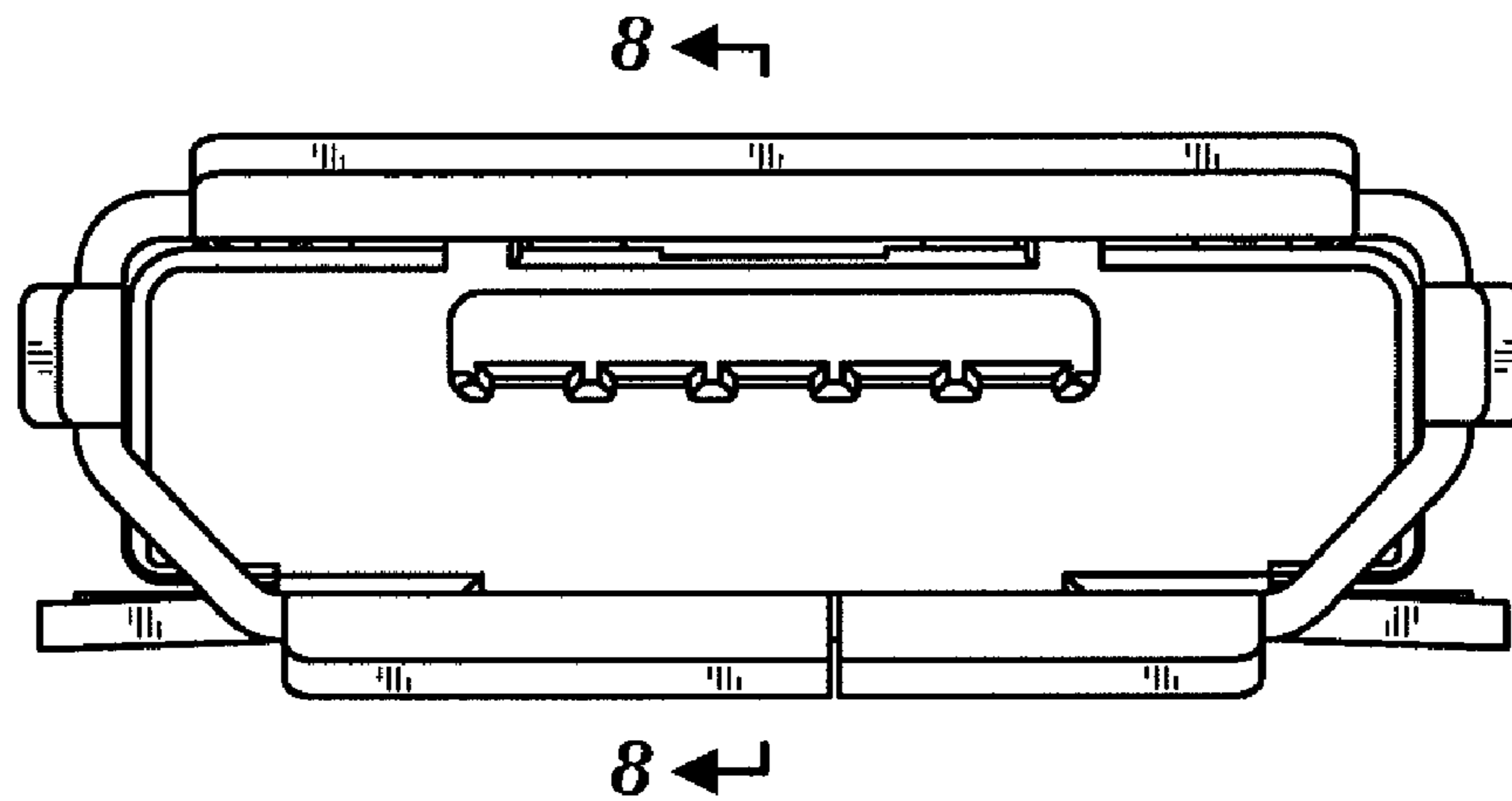


FIG. 2

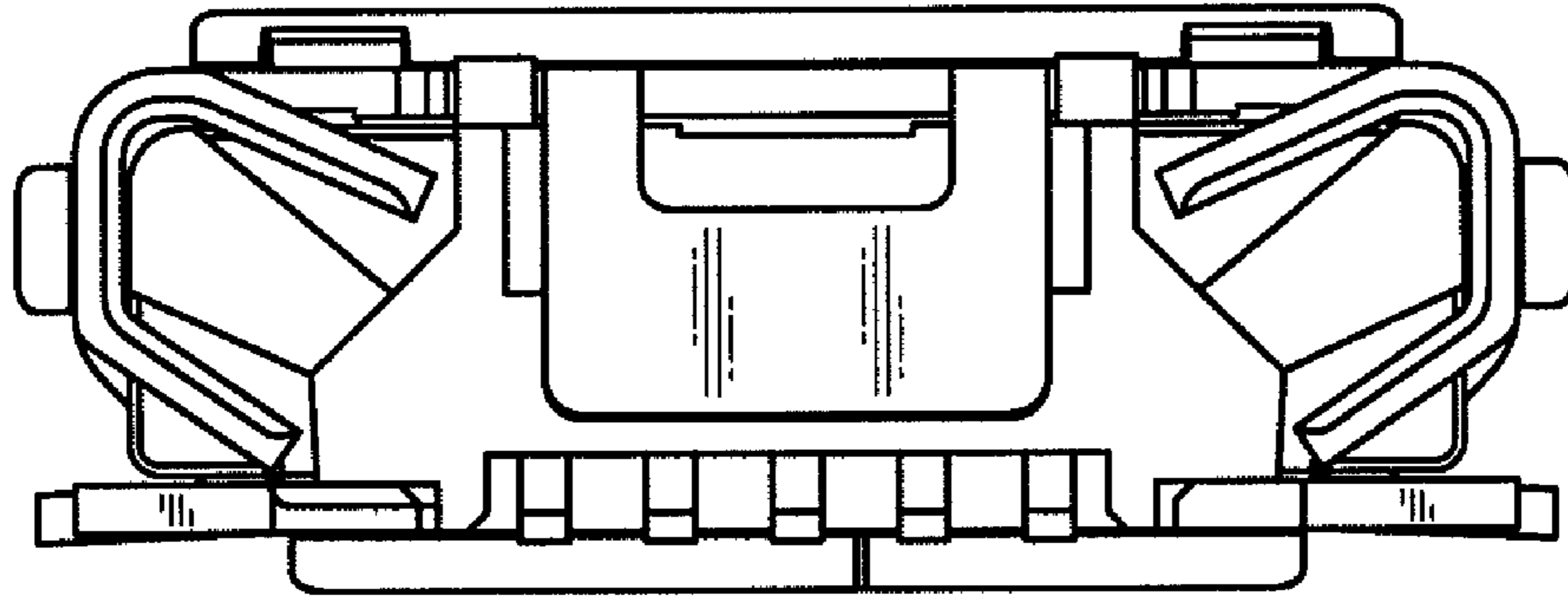


FIG. 3

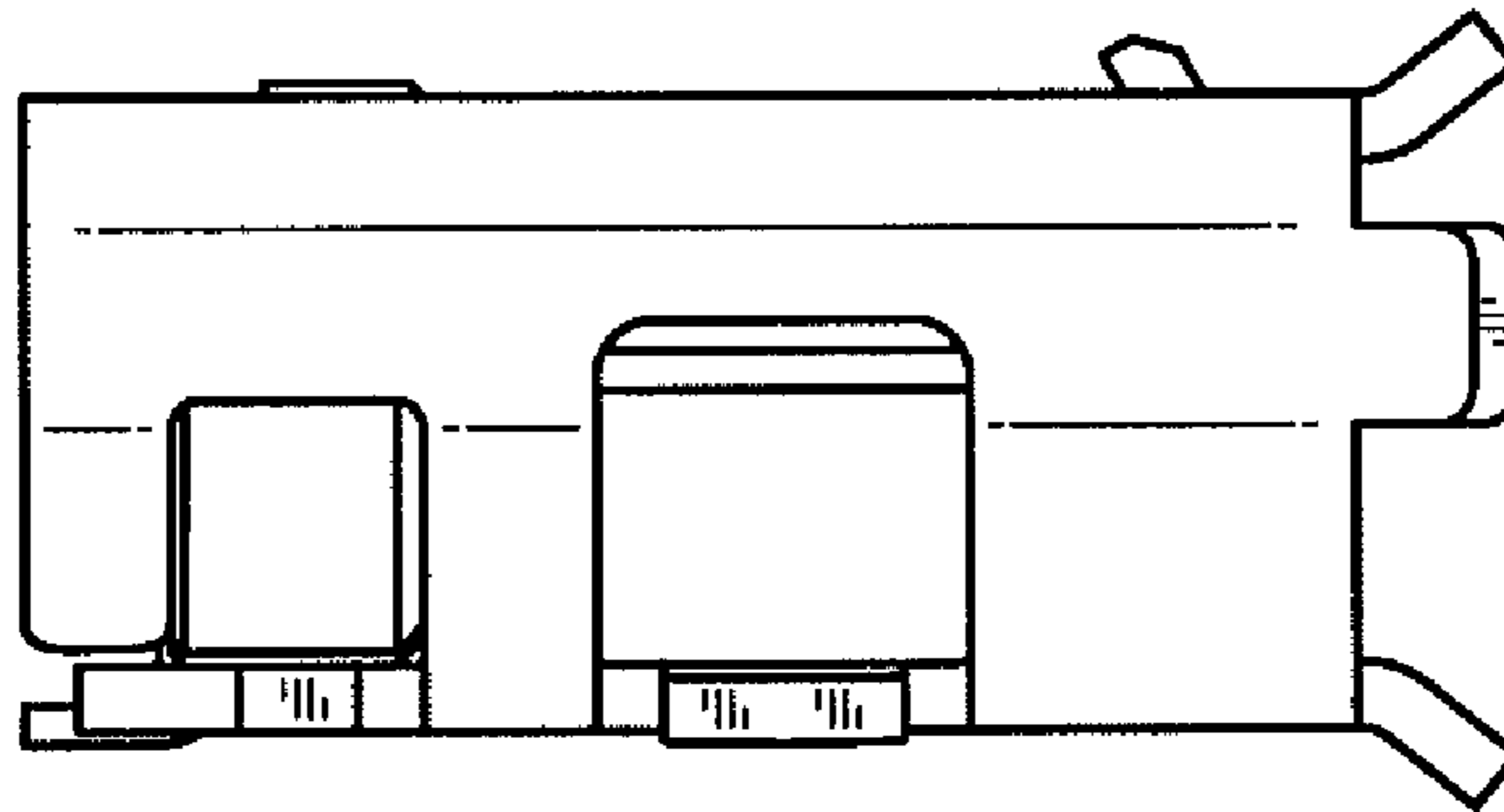


FIG. 4

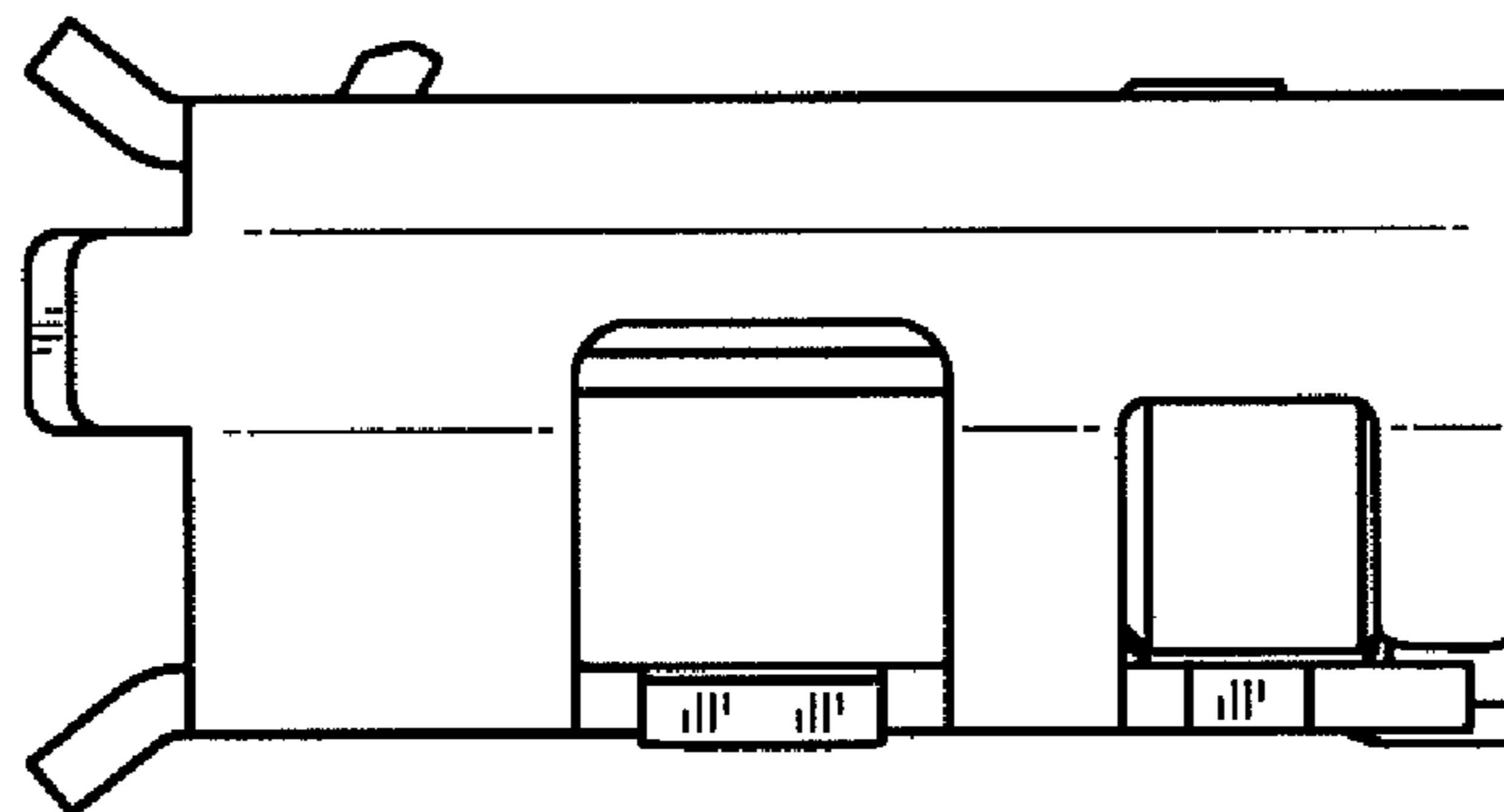


FIG. 5

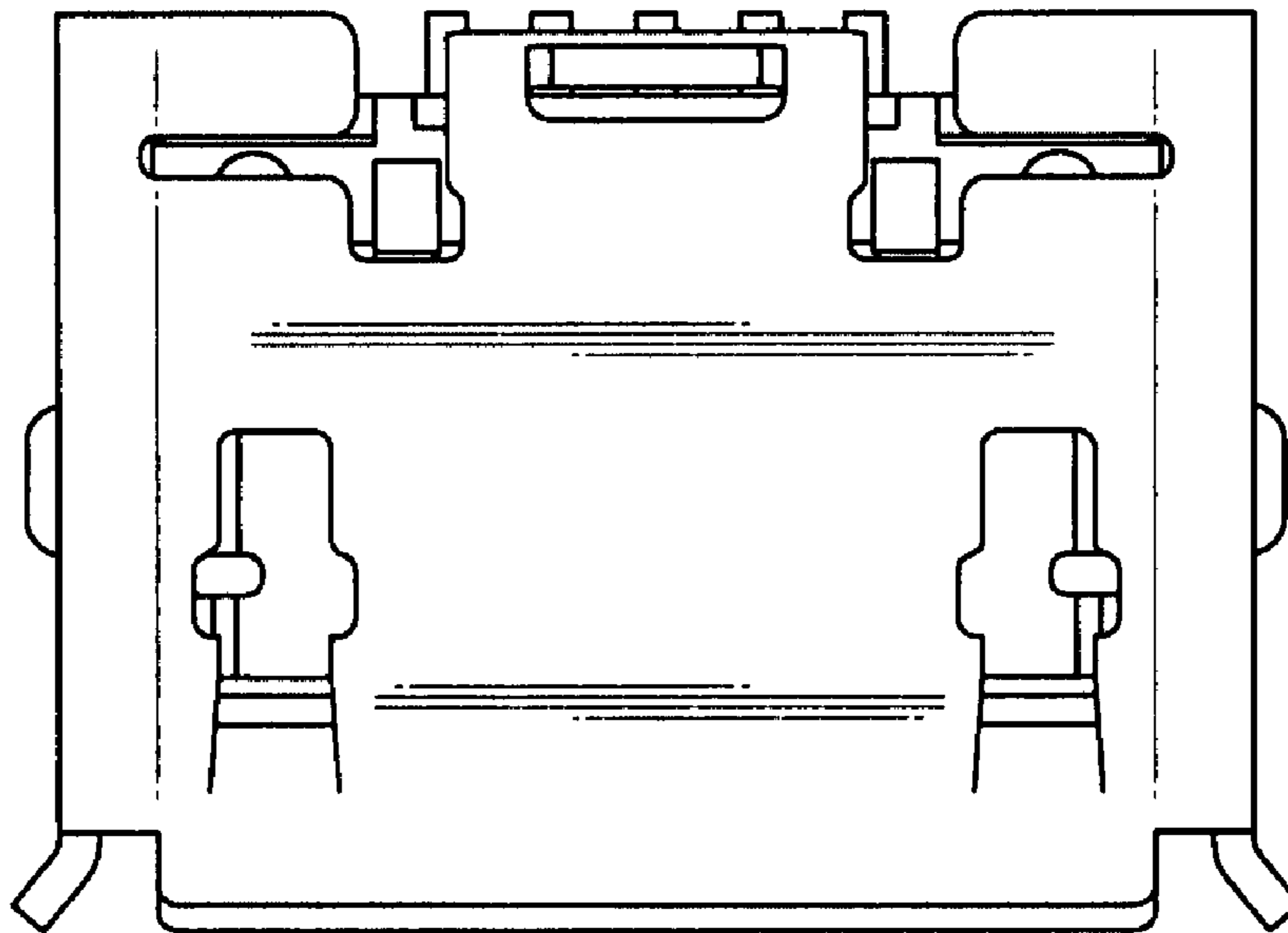


FIG. 6

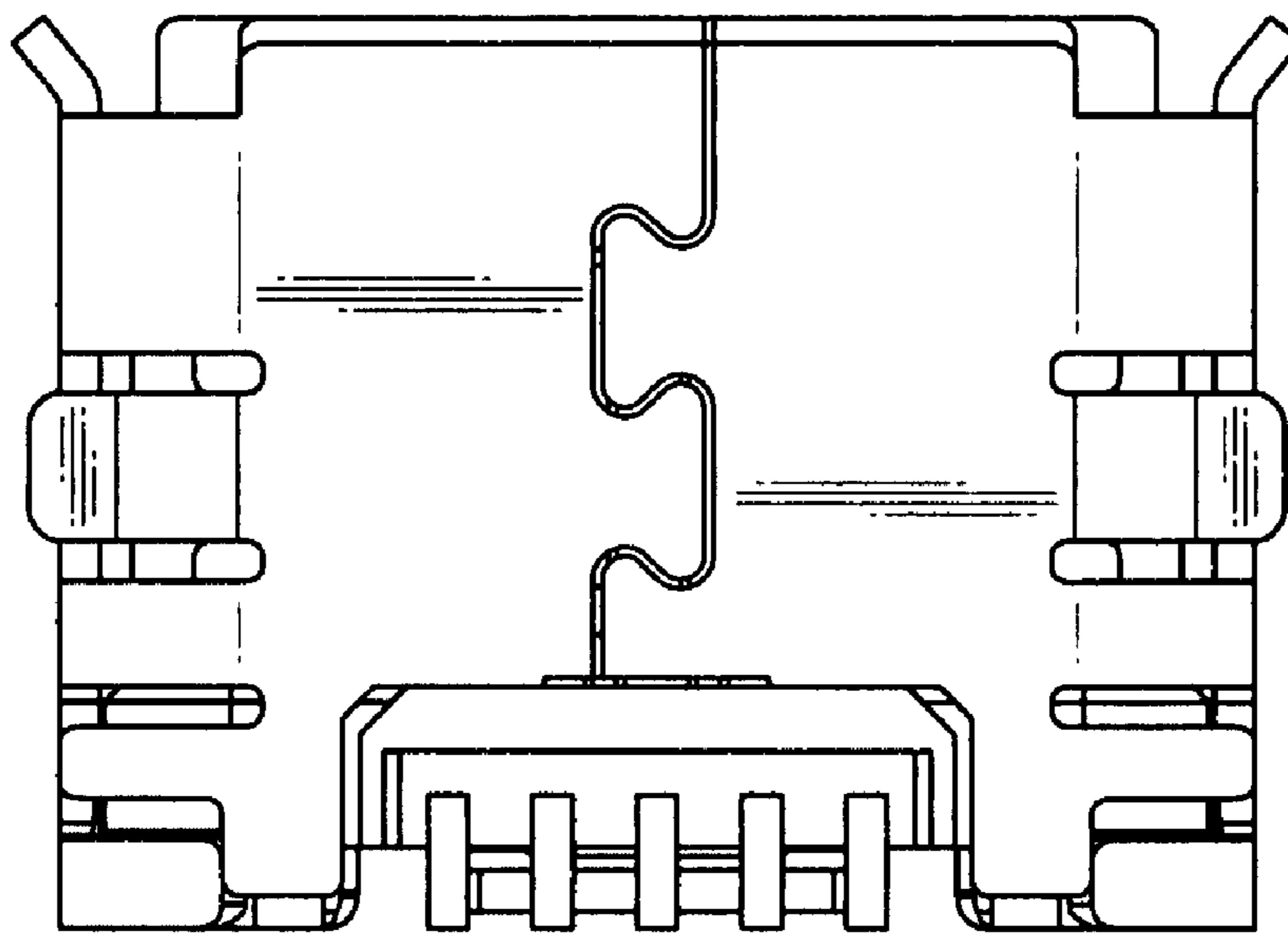


FIG. 7

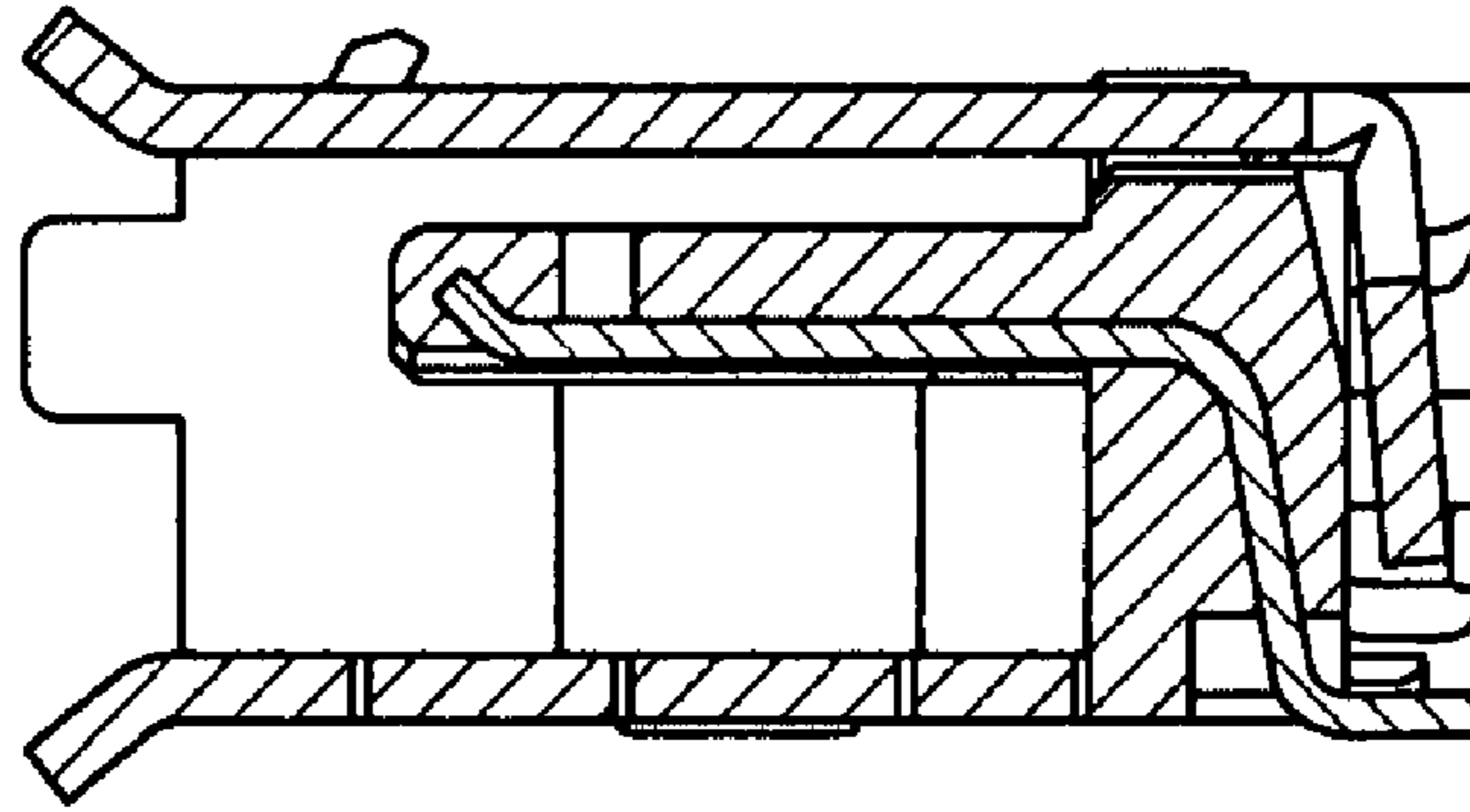


FIG. 8

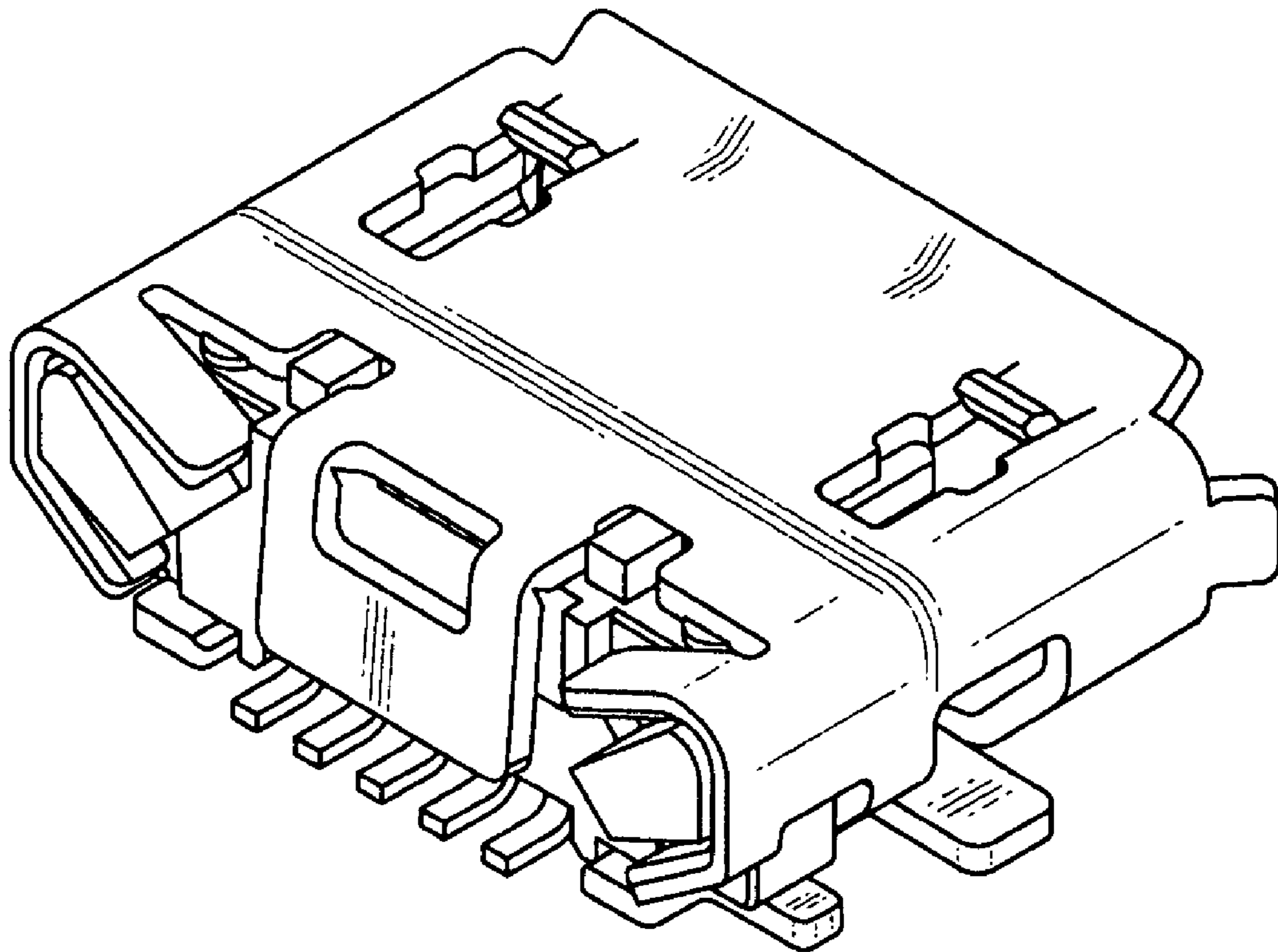


FIG. 9

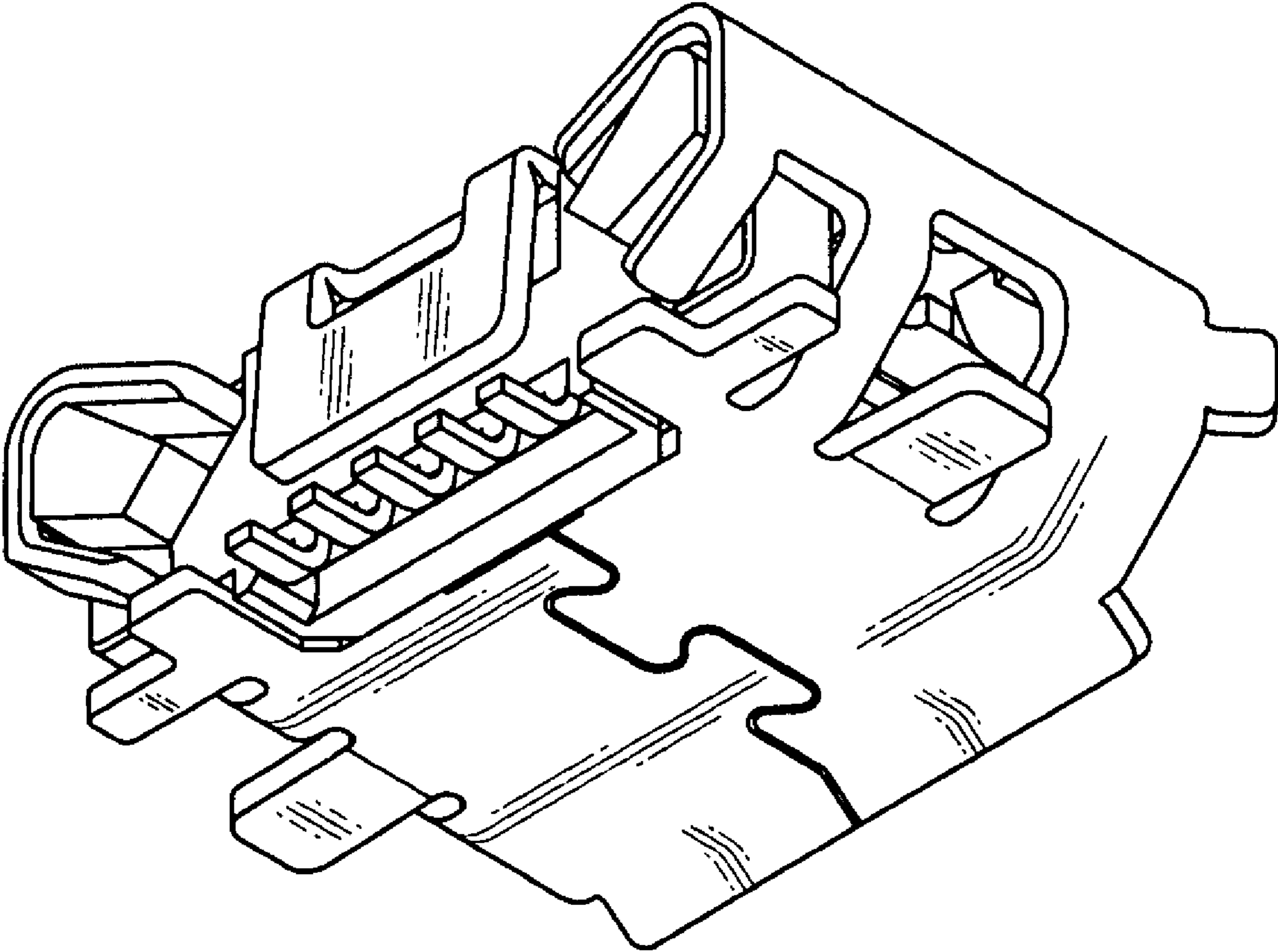


FIG. 10

UNITED STATES PATENT AND TRADEMARK OFFICE
CERTIFICATE OF CORRECTION

PATENT NO. : Des. 587,207 S
APPLICATION NO. : 29/286941
DATED : February 24, 2009
INVENTOR(S) : Masaki Fujimoto et al.

Page 1 of 1

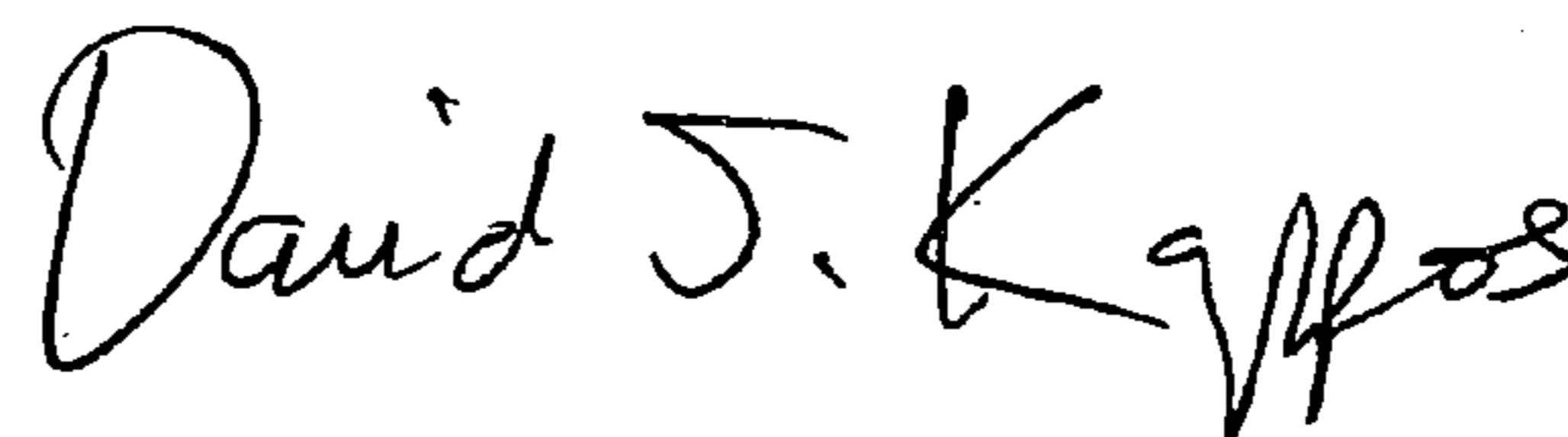
It is certified that error appears in the above-identified patent and that said Letters Patent is hereby corrected as shown below:

On the Title Page:

On the Title Page of the patent under Section 73, Assignee, please replace
“Matsushita Electric Works, Ltd.” with --**Panasonic Electric Works Co., Ltd.**--.

Signed and Sealed this

Eighth Day of September, 2009



David J. Kappos
Director of the United States Patent and Trademark Office