



US00D587206S

(12) **United States Design Patent**  
**Wu et al.**

(10) **Patent No.:** **US D587,206 S**

(45) **Date of Patent:** **\*\* Feb. 24, 2009**

(54) **CABLE CONNECTOR ASSEMBLY**

(75) Inventors: **Xiao-Gang Wu**, Kunshan (CN);  
**Ching-Chung Hsu**, Tu-Cheng (TW);  
**Ping-Sheng Su**, Tu-Cheng (TW)

(73) Assignee: **Hon Hai Precision Ind. Co., Ltd.**,  
Taipei Hsien (TW)

(\*\*) Term: **14 Years**

(21) Appl. No.: **29/307,757**

(22) Filed: **May 9, 2008**

(30) **Foreign Application Priority Data**

Nov. 9, 2007 (CN) ..... 200730195808

(51) **LOC (9) Cl.** ..... **13-03**

(52) **U.S. Cl.** ..... **D13/146; D13/133; D13/154**

(58) **Field of Classification Search** ..... D13/110,  
D13/123, 133, 139.4, 146, 147, 151, 154,  
D13/156, 165, 184, 199; 439/638; D8/358;  
D14/434

See application file for complete search history.

(56) **References Cited**

**U.S. PATENT DOCUMENTS**

D244,463 S \* 5/1977 Judd ..... D13/156  
D252,254 S \* 7/1979 Westin et al. .... D8/358  
D408,357 S \* 4/1999 Kichise ..... D13/146  
D418,815 S \* 1/2000 Byrne ..... D13/146  
D425,866 S \* 5/2000 Nagasawa et al. .... D13/147  
D459,196 S \* 6/2002 Stouffer ..... D8/358

D473,516 S \* 4/2003 Gresham et al. .... D13/139.4  
D512,718 S \* 12/2005 Mori et al. .... D14/434  
D514,518 S \* 2/2006 Strayer ..... D13/139.4  
D521,939 S \* 5/2006 Mahoney ..... D13/151  
D530,717 S \* 10/2006 Mori et al. .... D14/434  
7,329,152 B2 \* 2/2008 Mori et al. .... 439/638

\* cited by examiner

*Primary Examiner*—Daniel D Bui

*Assistant Examiner*—Thomas J Johannes

(74) *Attorney, Agent, or Firm*—Wei Te Chung

(57) **CLAIM**

The ornamental design for a cable connector assembly, as shown described.

**DESCRIPTION**

FIG. 1 is a front, top and right side perspective view of the cable connector assembly, showing our new design;

FIG. 2 is a front elevation view thereof;

FIG. 3 is a rear elevation view thereof;

FIG. 4 is a left side elevation view thereof;

FIG. 5 is a right side elevation view thereof;

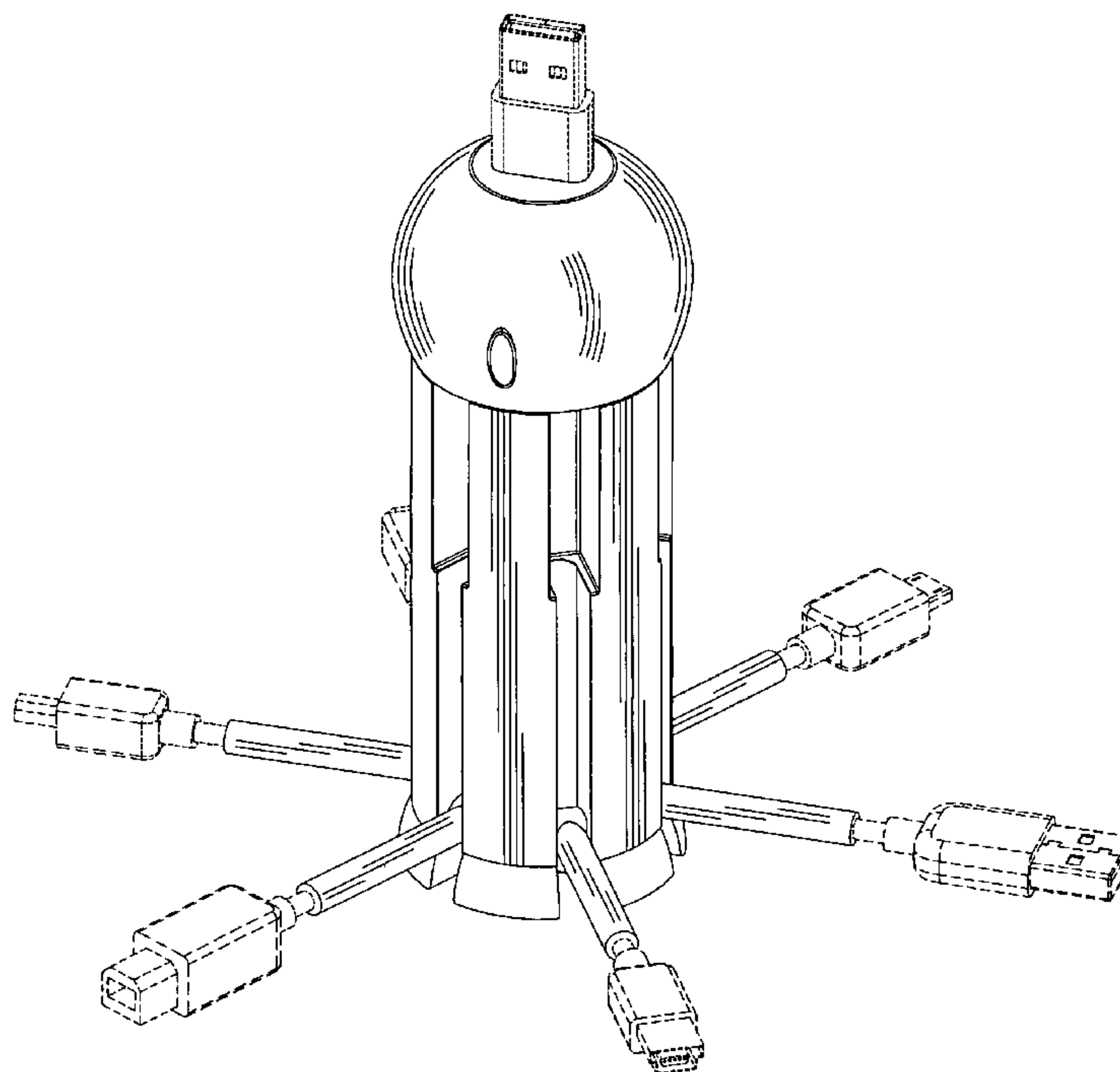
FIG. 6 is a top plan view thereof;

FIG. 7 is a bottom plan view thereof; and,

FIG. 8 is a front, top and right side perspective view illustrating the not-in-use condition of the cable connector assembly.

The broken lines shown in FIGS. 1, 2, 3, 4, 5, 6, 7, 8 are included for the purpose of illustrating portions of the electrical connector that form no part of the claimed design.

**1 Claim, 8 Drawing Sheets**



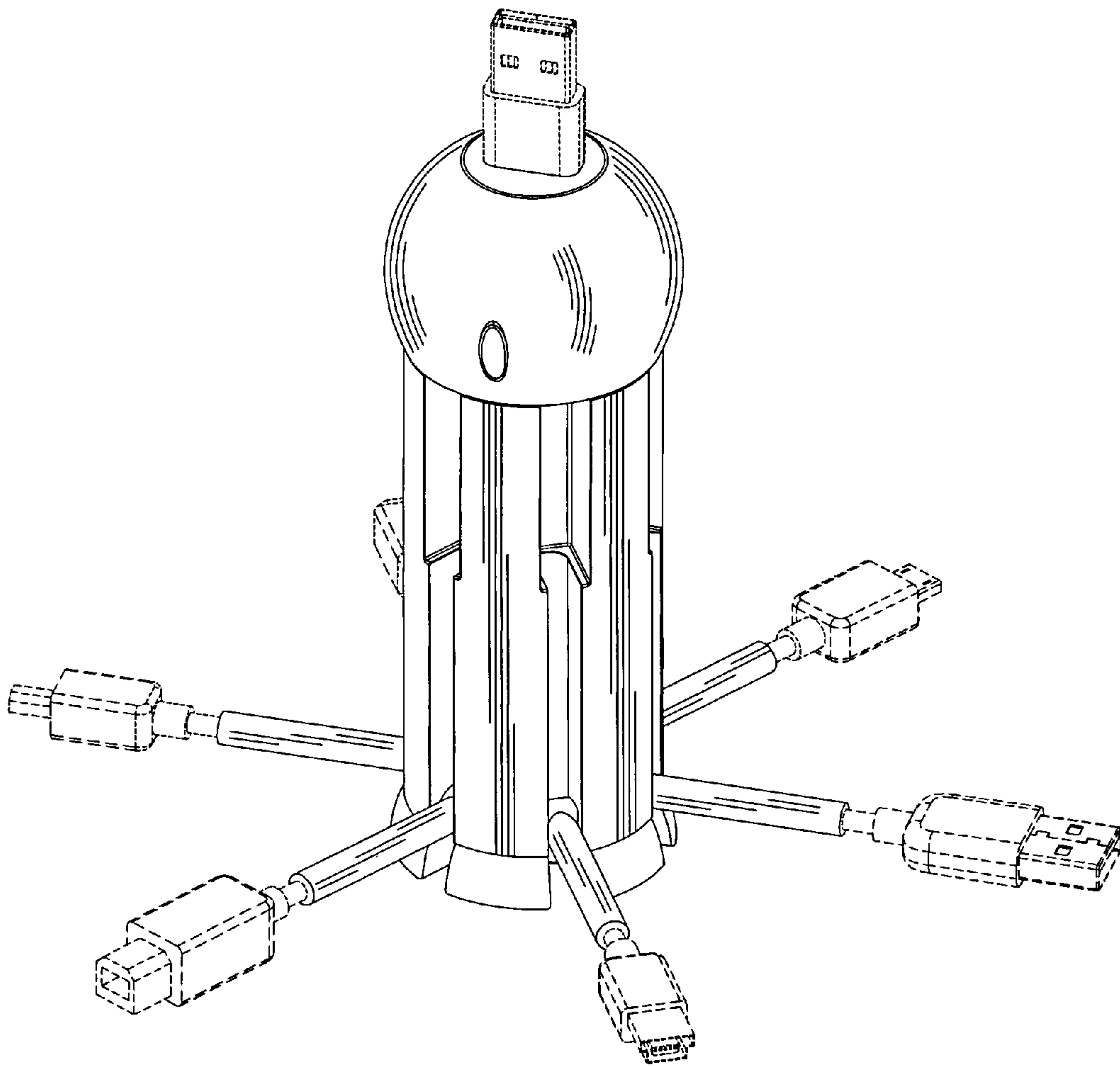


FIG. 1

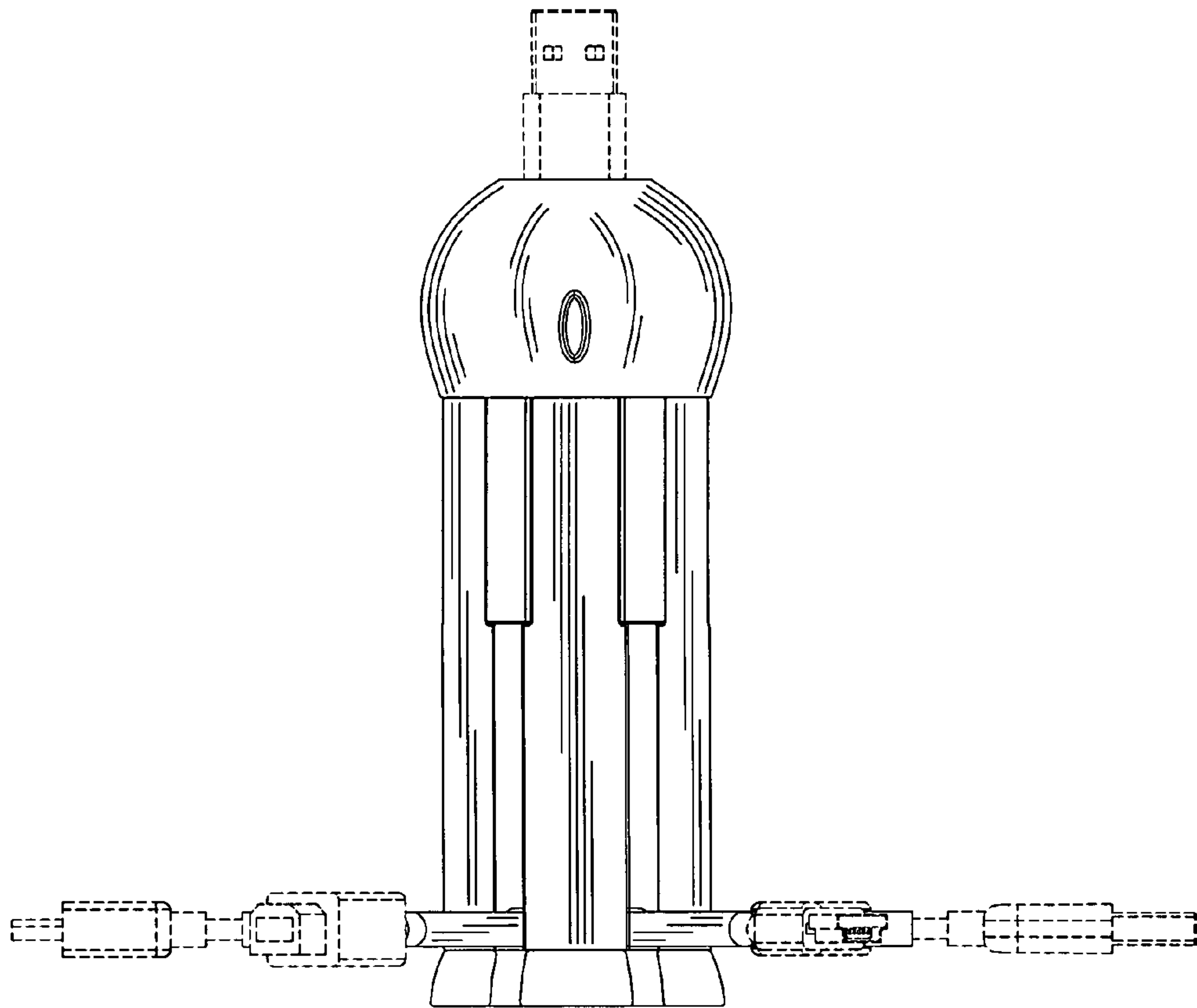


FIG. 2

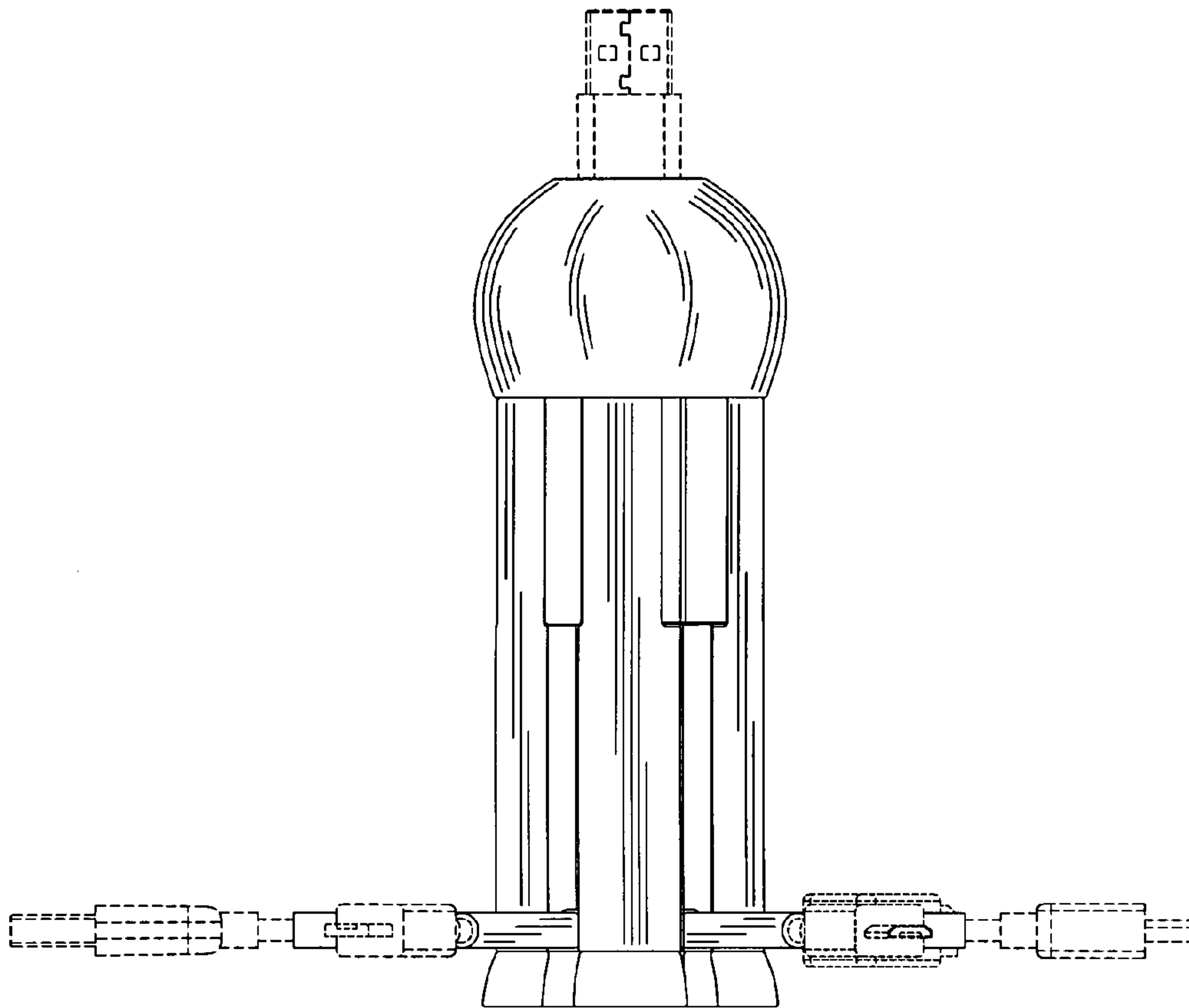


FIG. 3

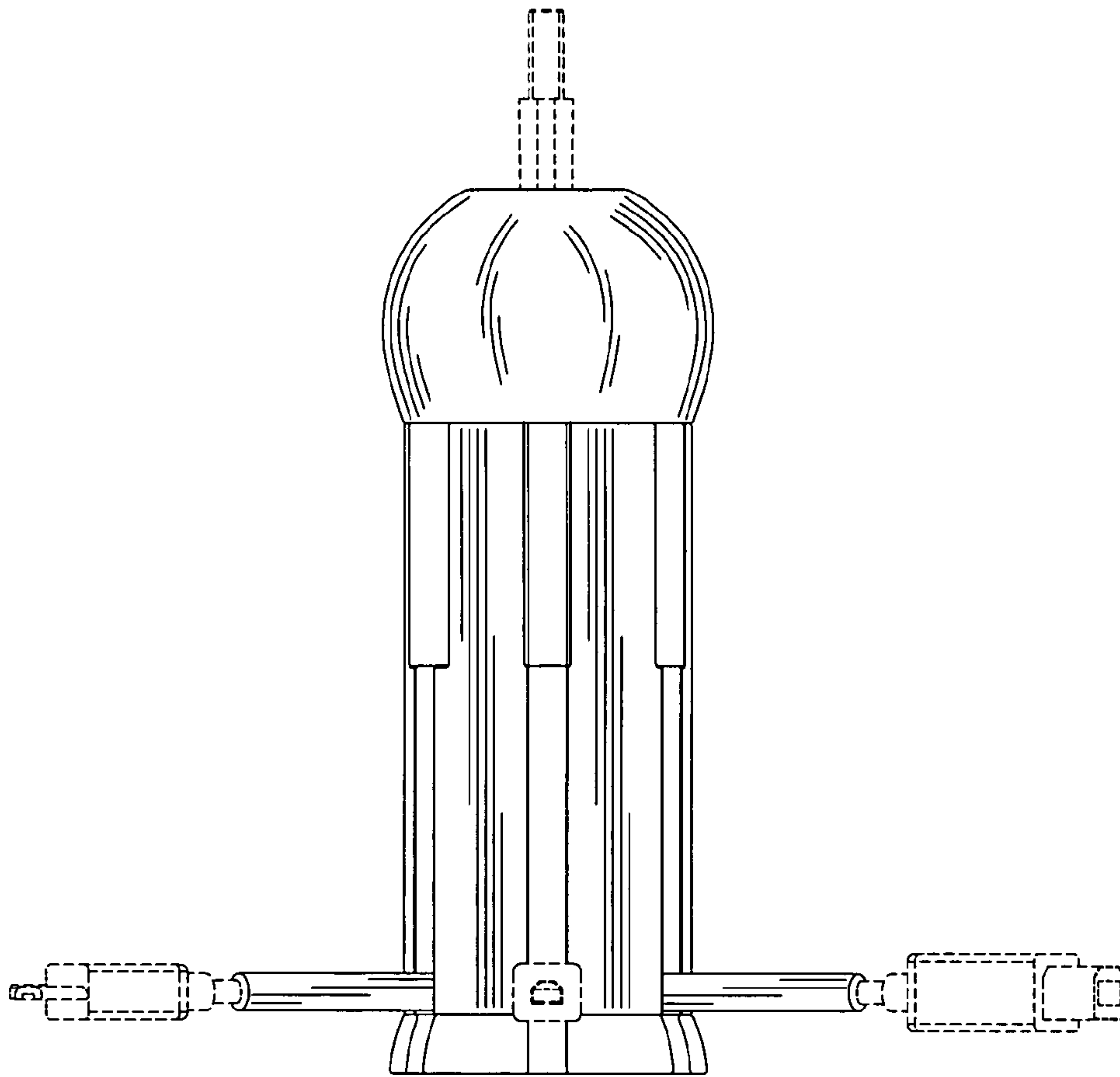


FIG. 4

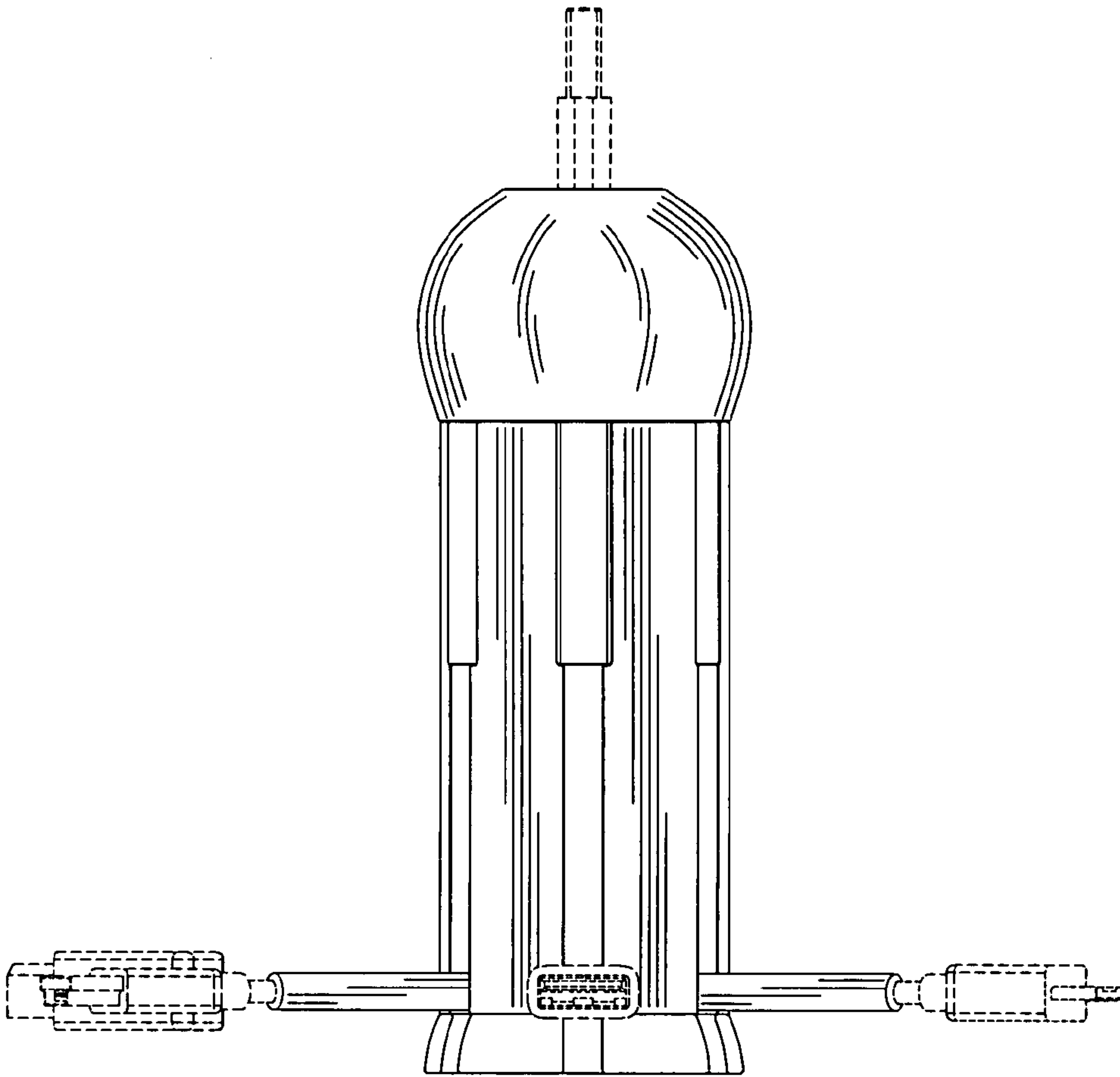


FIG. 5

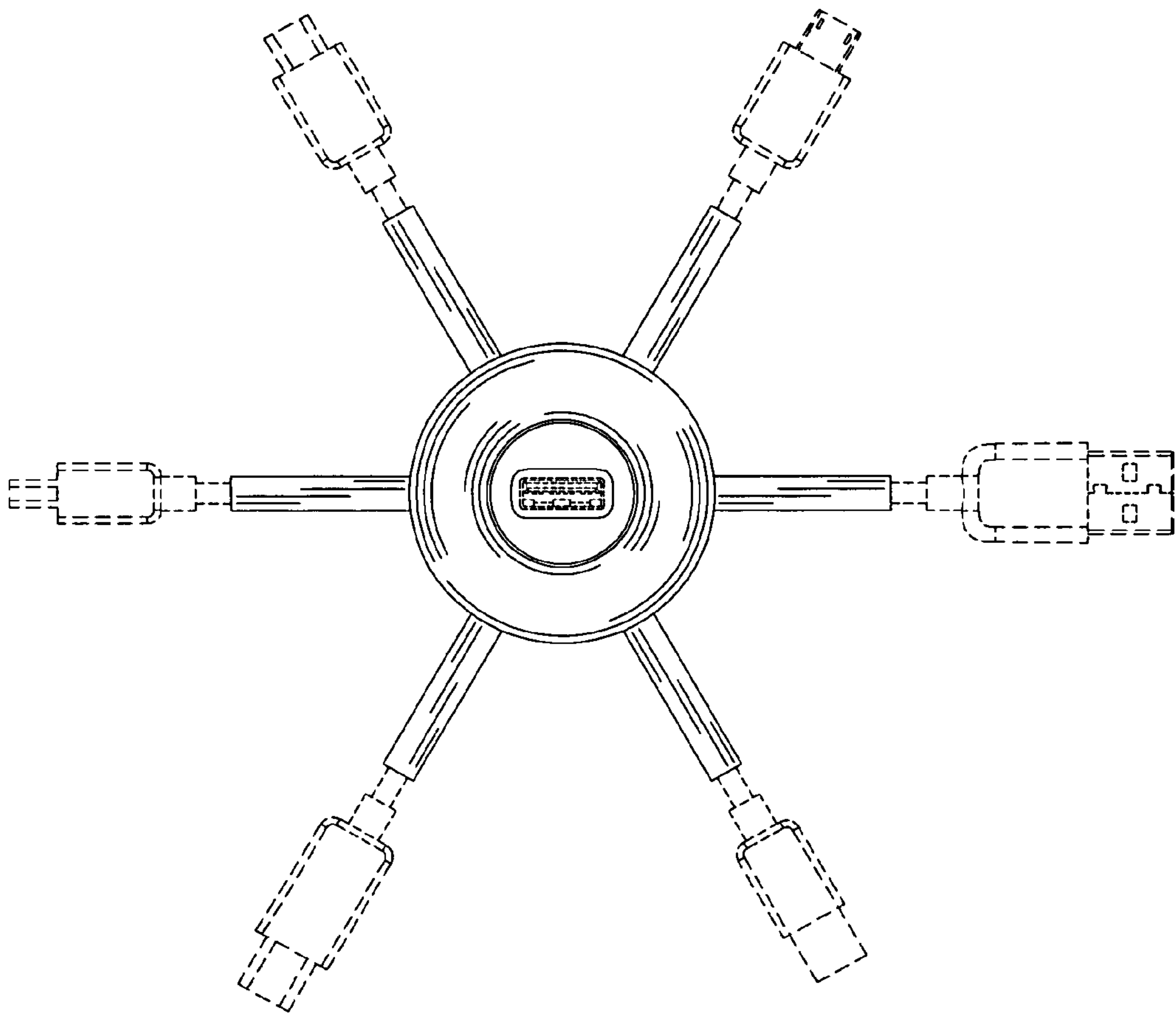


FIG. 6

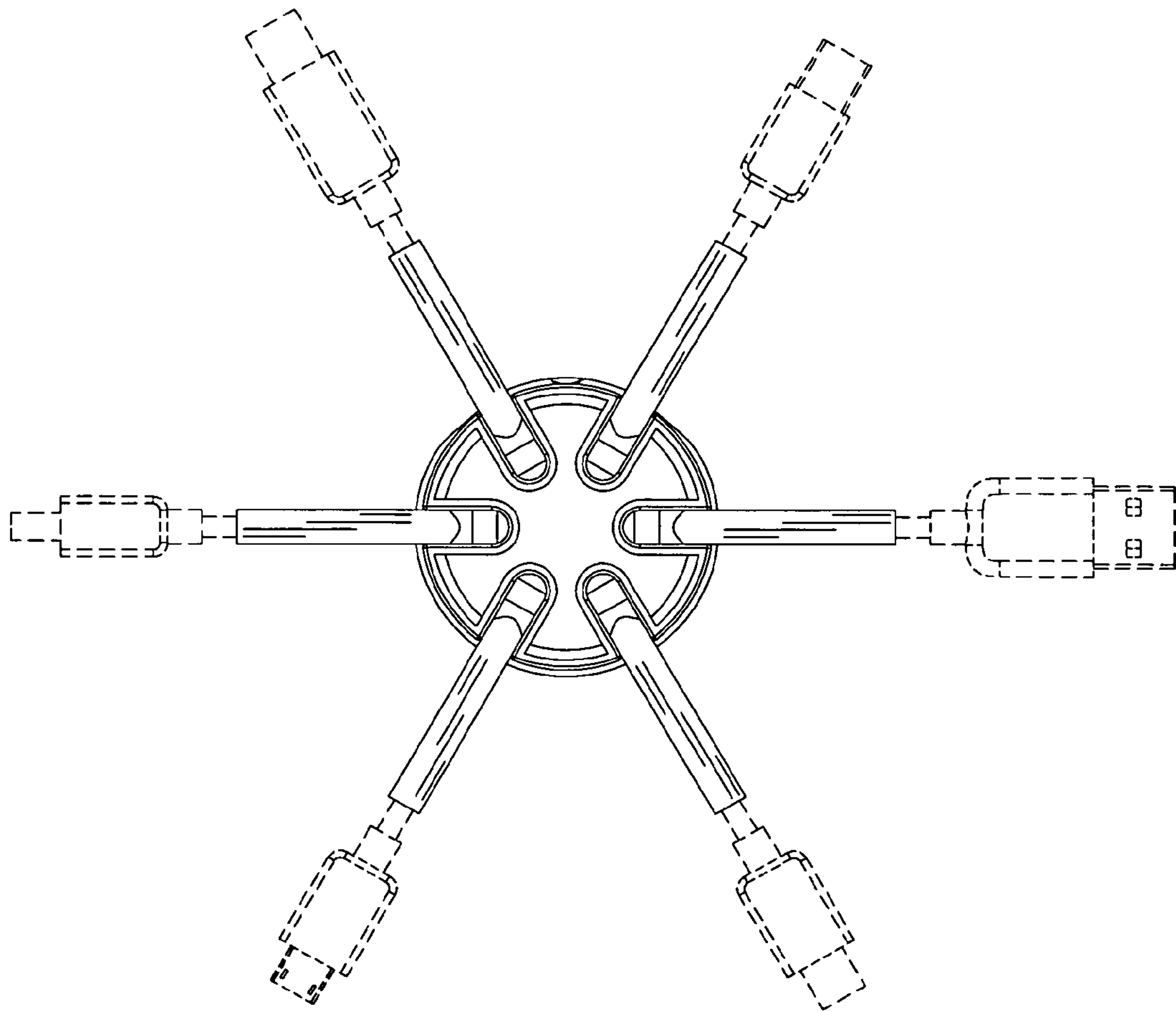


FIG. 7



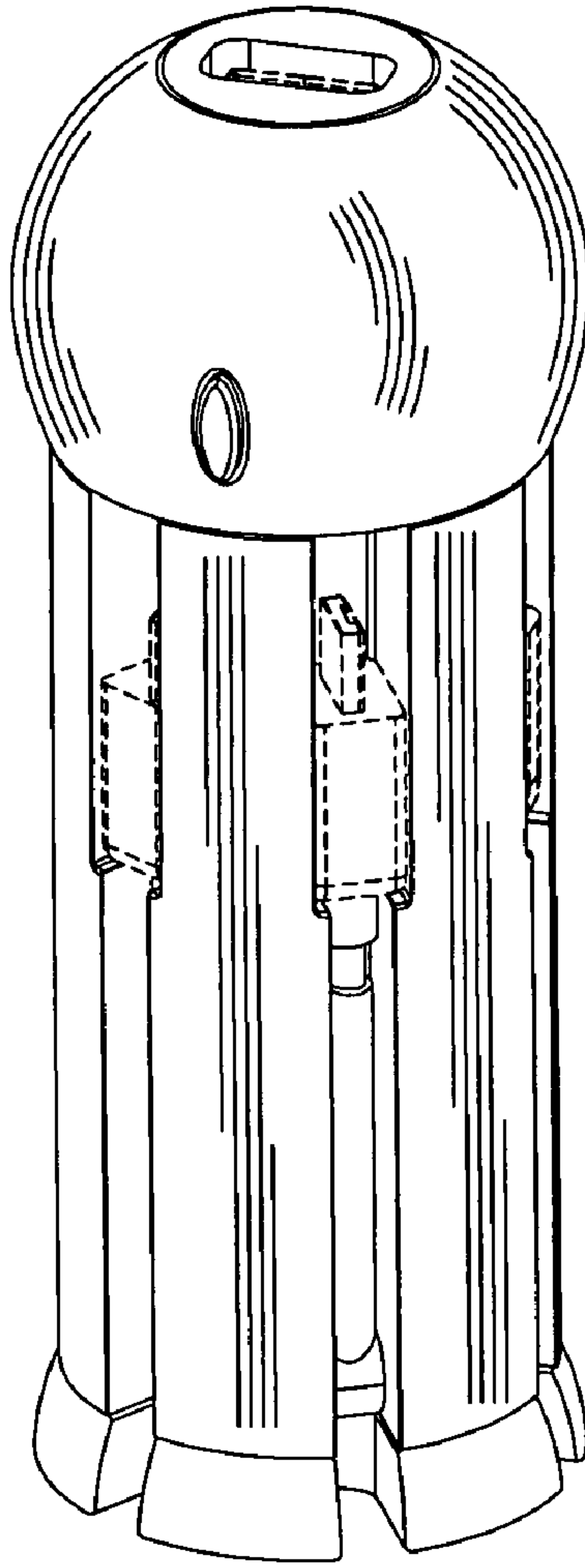


FIG. 8