



US00D587203S

(12) **United States Design Patent**
Dennes et al.

(10) **Patent No.:** **US D587,203 S**
(45) **Date of Patent:** **** Feb. 24, 2009**

(54) **ELECTRICAL CONNECTOR**

2002/0013081 A1 1/2002 Shan

(75) Inventors: **Wayne William Dennes**, Wyoming
(AU); **Jeffrey Allan Glen**, Brichgrove
(AU)

FOREIGN PATENT DOCUMENTS

AU	629900	8/1990
AU	778341	7/2001
AU	784652	1/2003
AU	2005203509	2/2006

(73) Assignee: **ADC GmbH**, Berlin (DE)

OTHER PUBLICATIONS

(**) Term: **14 Years**

U.S. Appl. No. 29/297,084, filed Nov. 2, 2007.

(21) Appl. No.: **29/297,083**

* cited by examiner

(22) Filed: **Nov. 2, 2007**

Primary Examiner—Daniel D Bui

Assistant Examiner—Thomas J Johannes

(30) **Foreign Application Priority Data**

(74) *Attorney, Agent, or Firm*—Merchant & Gould P.C.

May 7, 2007 (AU) 17758/2007

(57) **CLAIM**

(51) **LOC (9) Cl.** **13-03**

The ornamental design for the electrical connector, as shown and described.

(52) **U.S. Cl.** **D13/133; D13/139.1**

(58) **Field of Classification Search** D13/133,
D13/134, 137, 138, 139, 149, 154, 173, 184,
D13/199; 361/118, 119; 439/105-108, 117,
439/188, 365, 373, 535, 650-654, 697

DESCRIPTION

See application file for complete search history.

FIG. 1 is a front view of an electrical connector showing our design;

(56) **References Cited**

FIG. 2 is a rear view thereof;

U.S. PATENT DOCUMENTS

FIG. 3 is a first side view thereof;

D91,940 S *	4/1934	Hollingsworth	D13/139.4
4,500,746 A	2/1985	Meehan		
4,548,459 A	10/1985	Mosser, III		
4,614,576 A	9/1986	Goldstein		
5,100,332 A *	3/1992	Egawa	439/72
D354,943 S *	1/1995	Williams et al.	D13/137.1
5,492,484 A	2/1996	Archer		
D397,086 S *	8/1998	Lin	D13/137.2
D454,543 S *	3/2002	Hu	D13/147
D486,792 S *	2/2004	Stoughton	D13/137.2

FIG. 4 is a second side view thereof;

FIG. 5 is a first end view thereof;

FIG. 6 is a second end view thereof; and,

FIG. 7 is a perspective view thereof.

The broken line portions of FIGS. 3 through 7 are included to show unclaimed internal subject matter only and form no part of the claimed design.

1 Claim, 4 Drawing Sheets

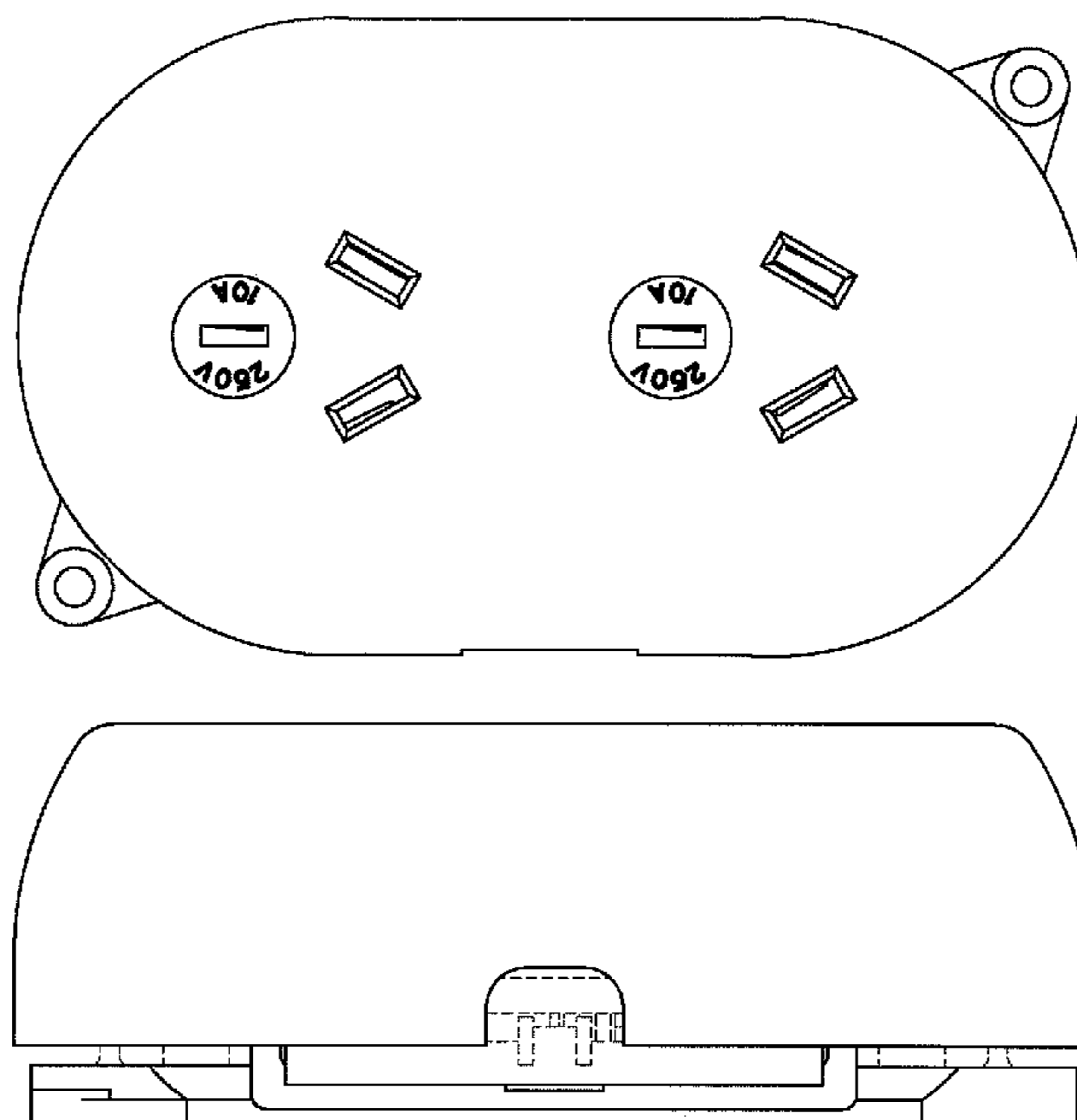


FIG. 1

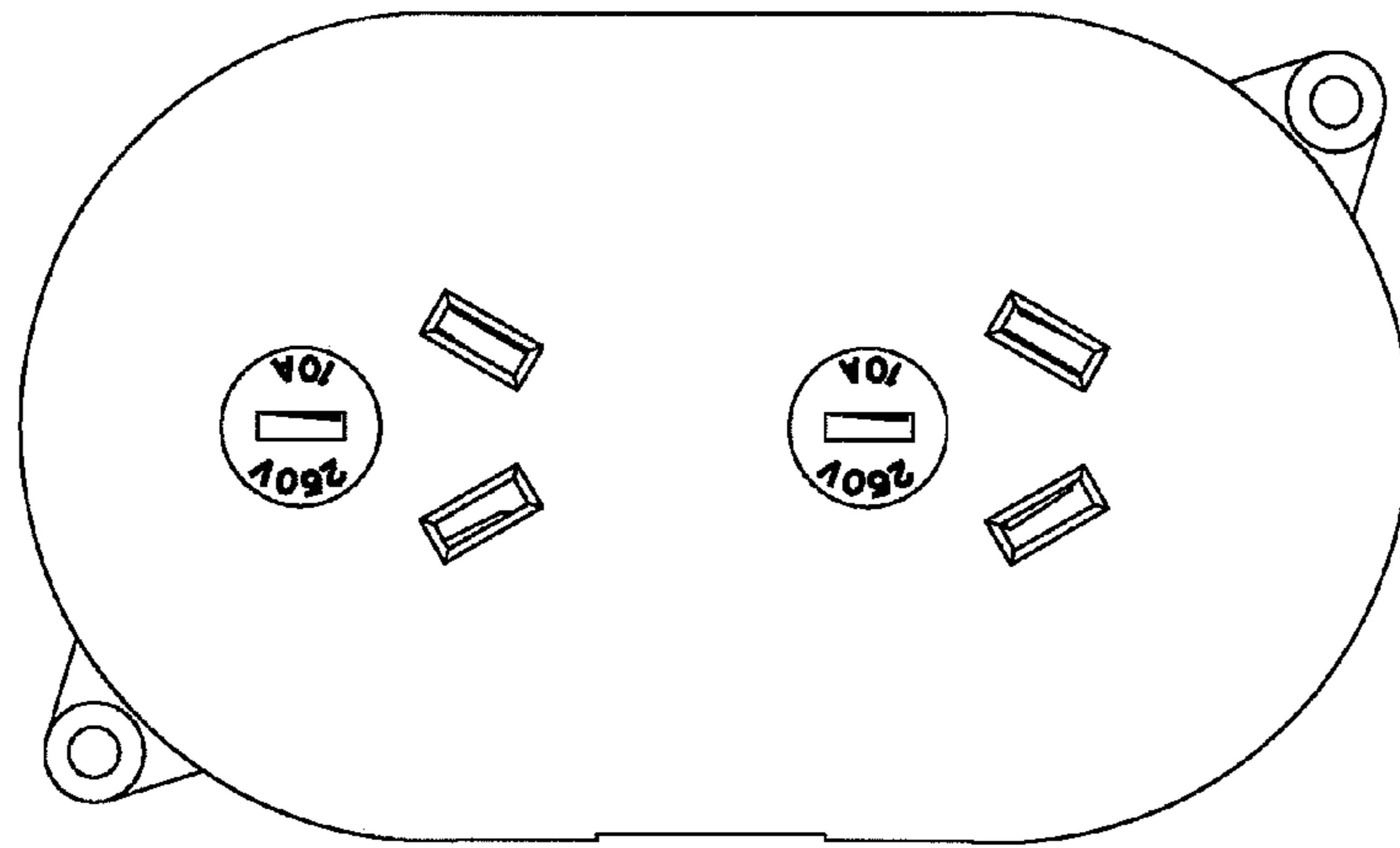


FIG. 2

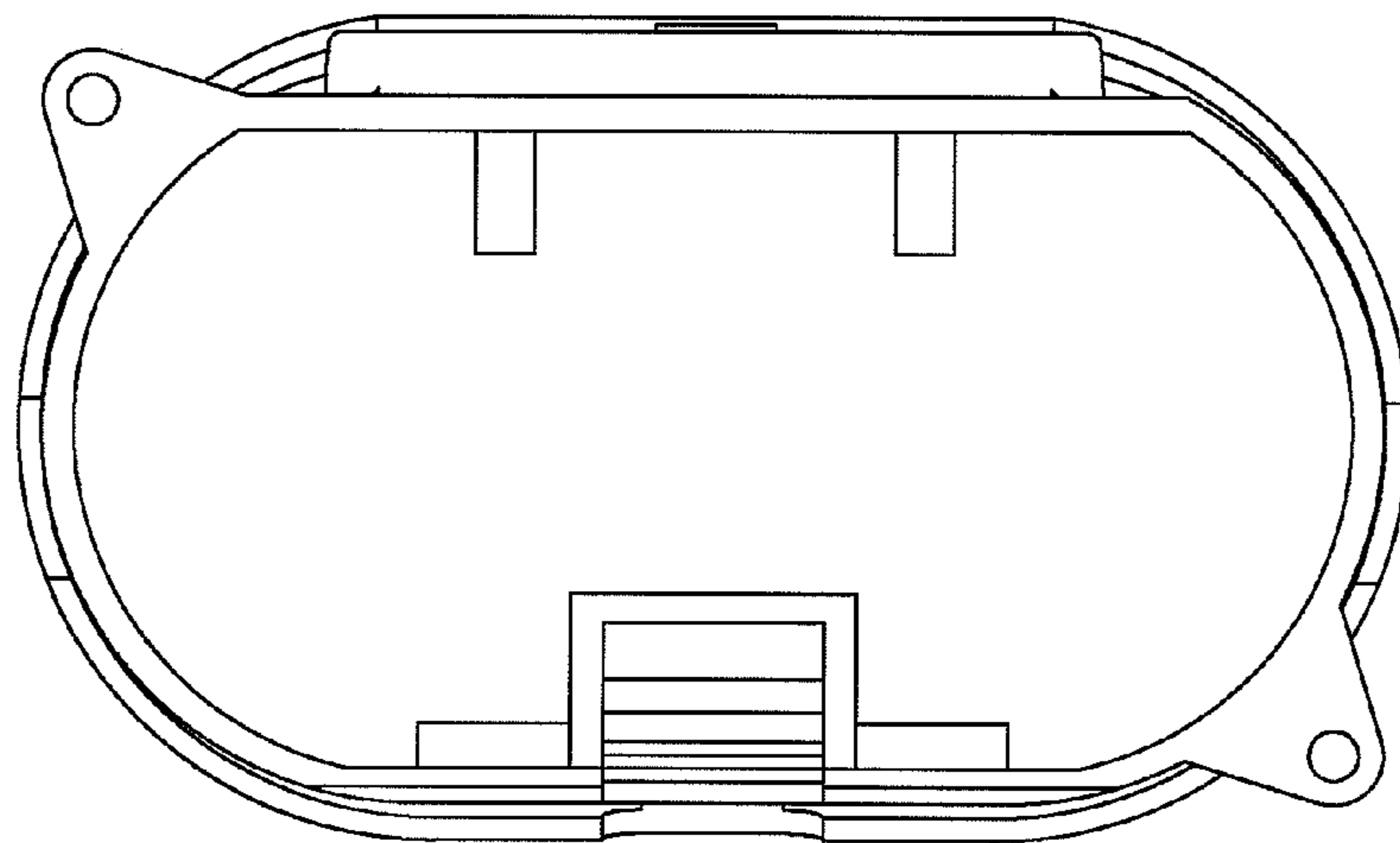


FIG. 3

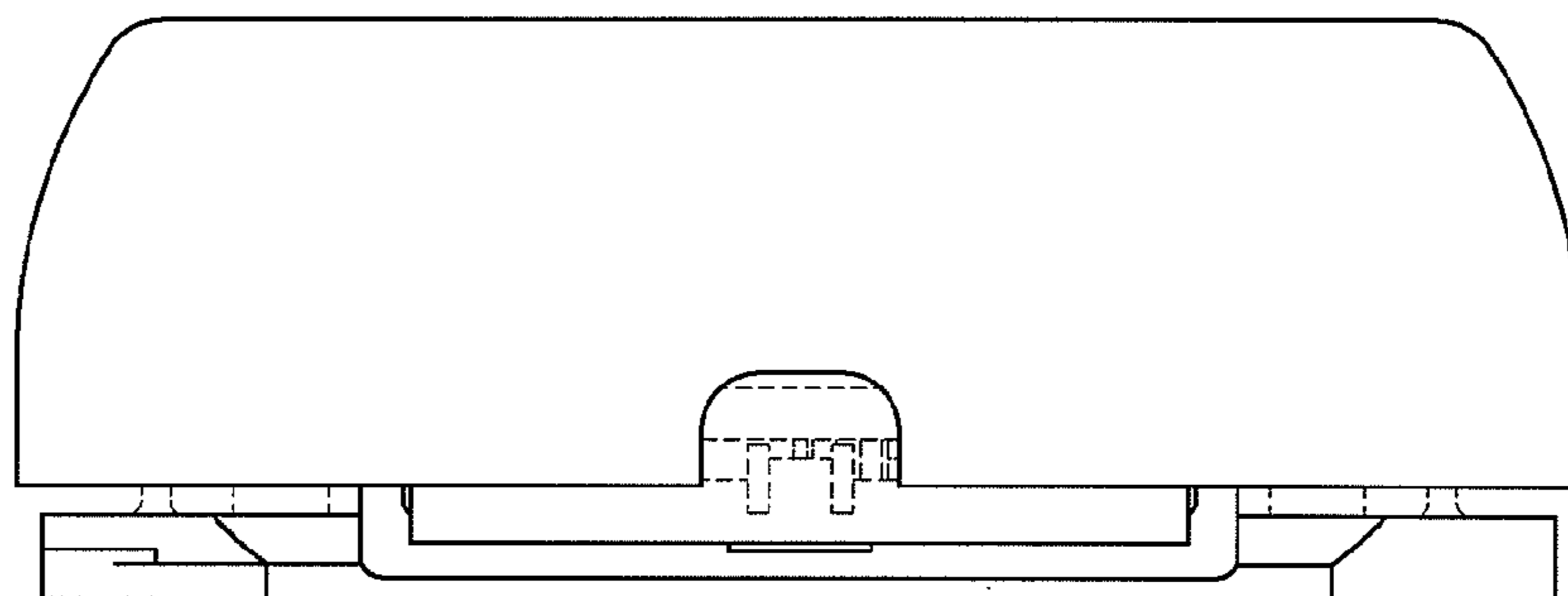


FIG. 4

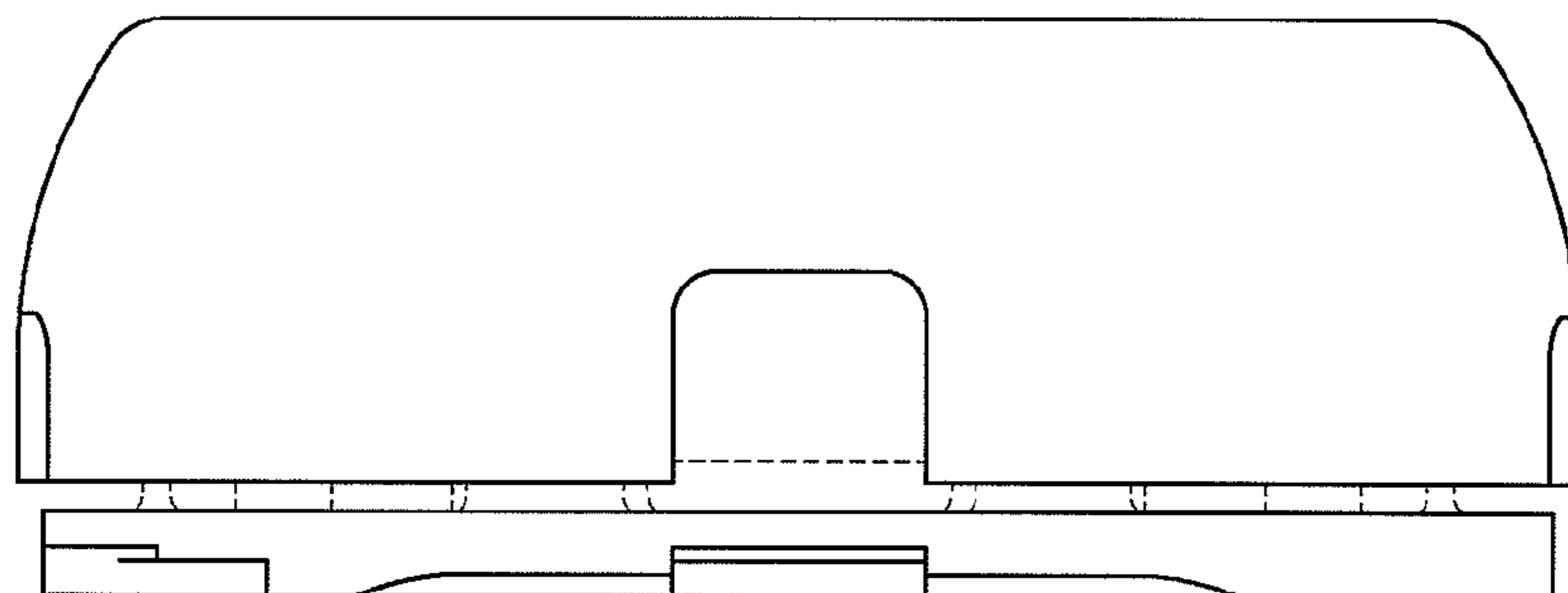


FIG. 5

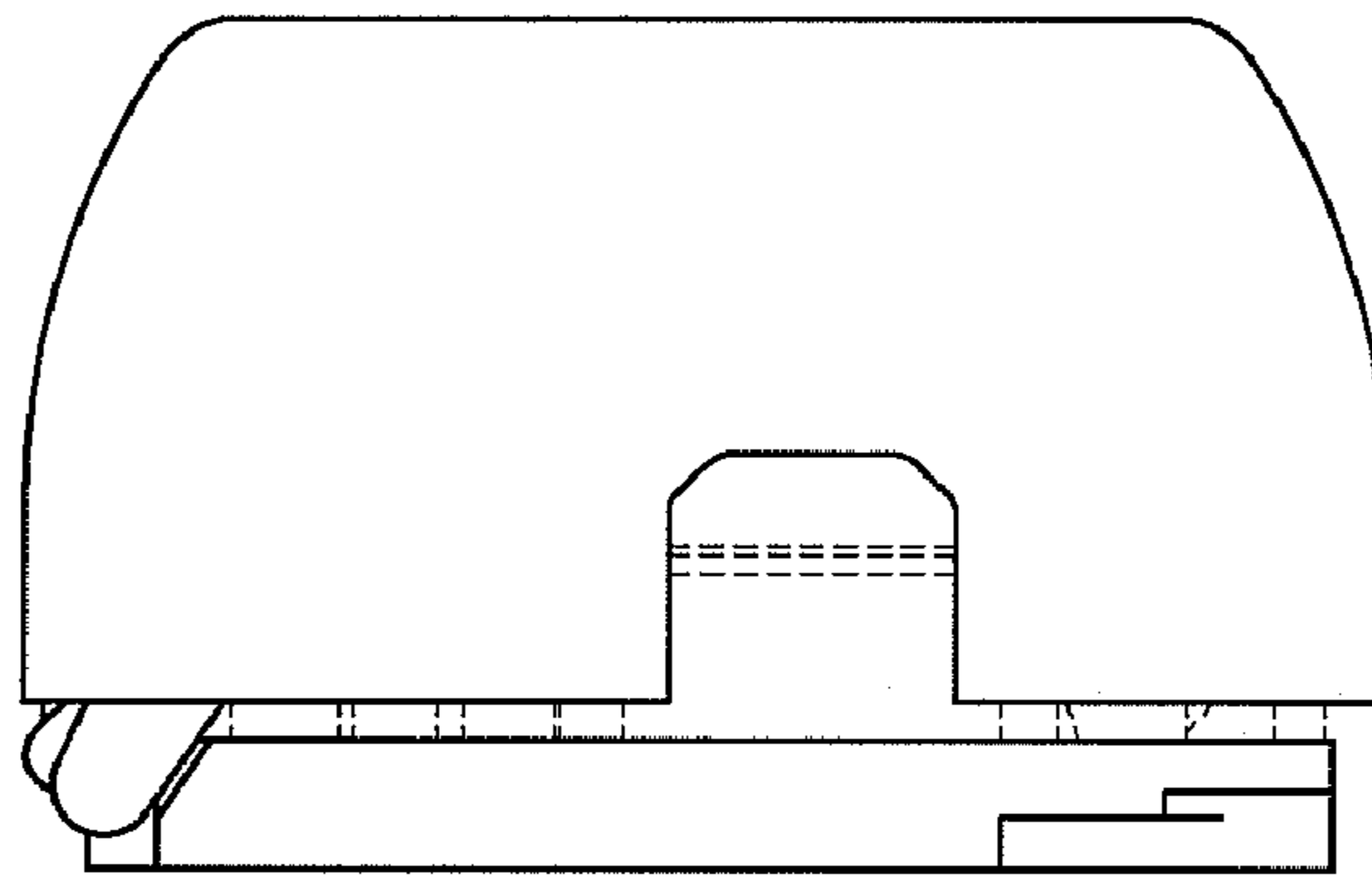


FIG. 6

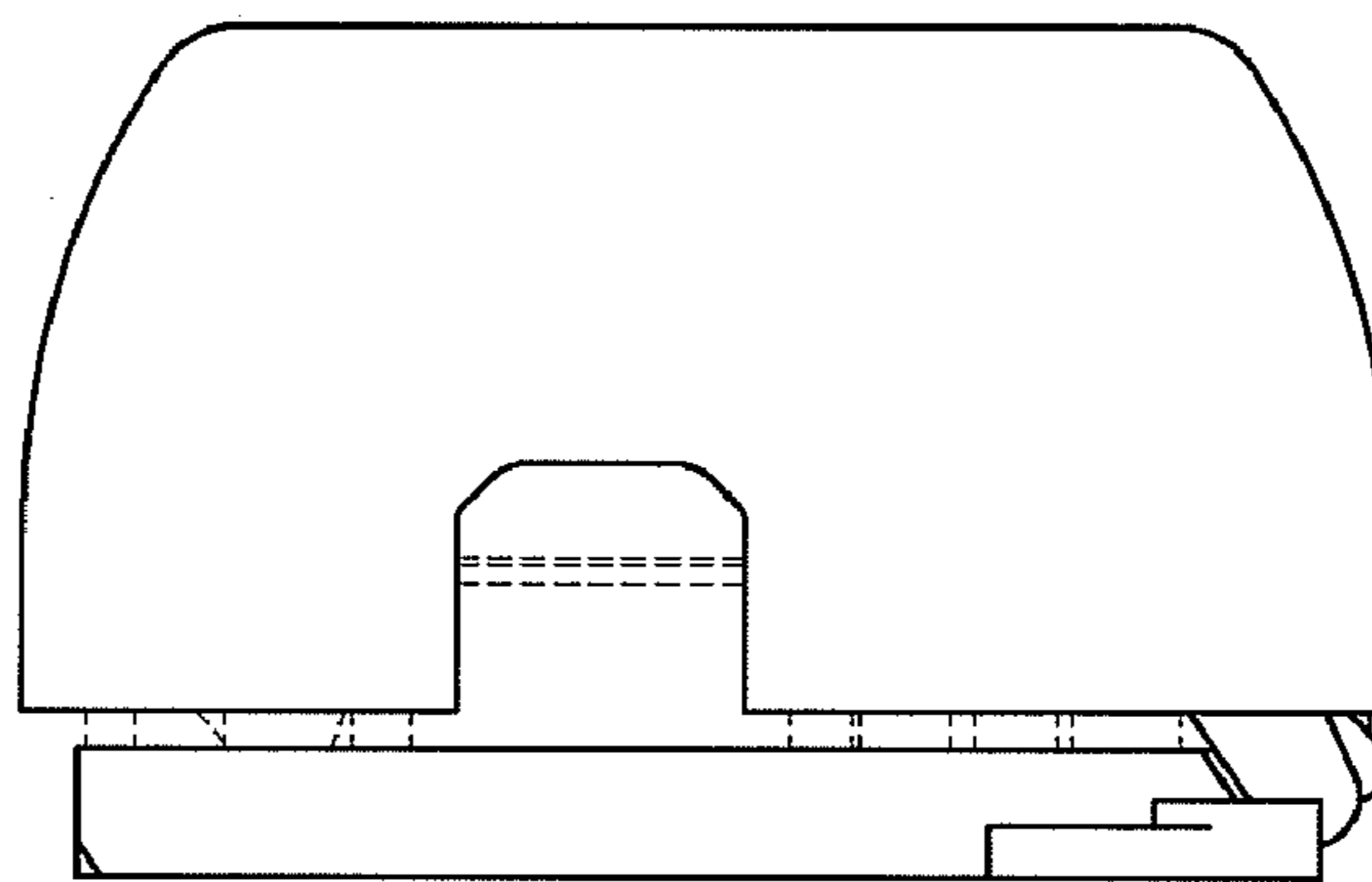


FIG. 7

