



US00D587202S

(12) **United States Design Patent**  
**Dobler**

(10) **Patent No.:** **US D587,202 S**

(45) **Date of Patent:** **\*\* Feb. 24, 2009**

(54) **CONNECTOR**

(75) Inventor: **Oliver Dobler**, Tschagguns (AT)

(73) Assignee: **Neutrik Aktiengesellschaft**,  
Liechtenstien (AT)

(\*\*) Term: **14 Years**

(21) Appl. No.: **29/293,600**

(22) Filed: **Dec. 3, 2007**

(30) **Foreign Application Priority Data**

Jun. 15, 2007 (EM) ..... 000741152

(51) **LOC (9) Cl.** ..... **13-03**

(52) **U.S. Cl.** ..... **D13/133**

(58) **Field of Classification Search** ..... D13/133,  
D13/149, 151, 153, 154, 184, 199; 439/246,  
439/252, 306, 476.1, 578, 580, 675, 583-585,  
439/668-669, 750, 751, 805, 825, 851, 889;  
174/75 C

See application file for complete search history.

(56) **References Cited**

**U.S. PATENT DOCUMENTS**

4,129,352 A \* 12/1978 Iizuka ..... 439/675  
D312,813 S \* 12/1990 Takizawa ..... D13/133  
6,093,043 A \* 7/2000 Gray et al. .... 439/352

D475,969 S \* 6/2003 Pincek et al. .... D13/133  
D574,784 S \* 8/2008 Chawgo ..... D13/154  
2008/0194142 A1 \* 8/2008 Wlos ..... 439/584

\* cited by examiner

*Primary Examiner*—Daniel D Bui

*Assistant Examiner*—Thomas J Johannes

(74) *Attorney, Agent, or Firm*—Neal L. Slifkin

(57) **CLAIM**

The ornamental design of a connector, as shown and described.

**DESCRIPTION**

FIG. 1 is a right side elevation view of a connector showing my new design;

FIG. 2 is a bottom plan view thereof;

FIG. 3 is a left side elevation view thereof;

FIG. 4 is a top plan view thereof;

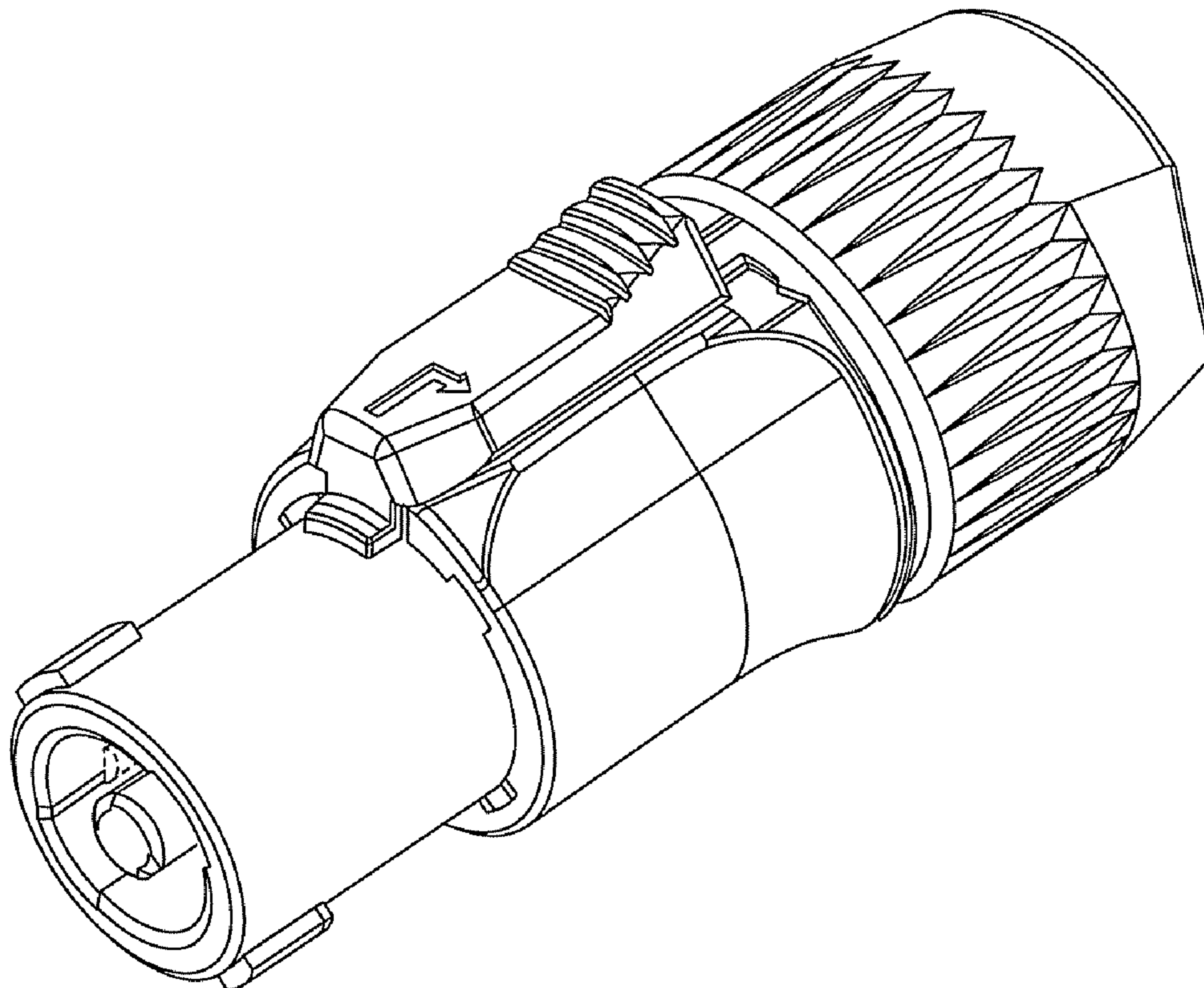
FIG. 5 is a front elevation view thereof;

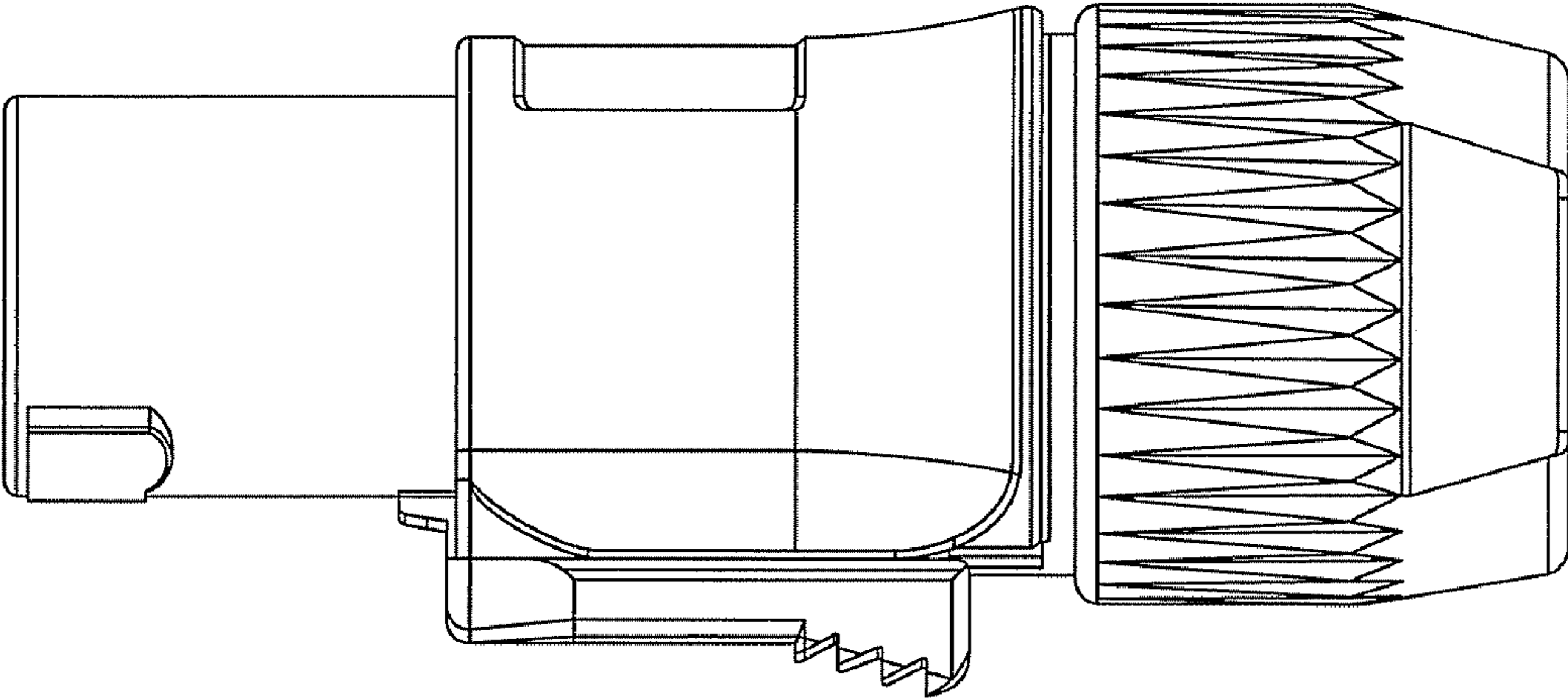
FIG. 6 is a rear elevation view thereof; and,

FIG. 7 is a perspective view thereof.

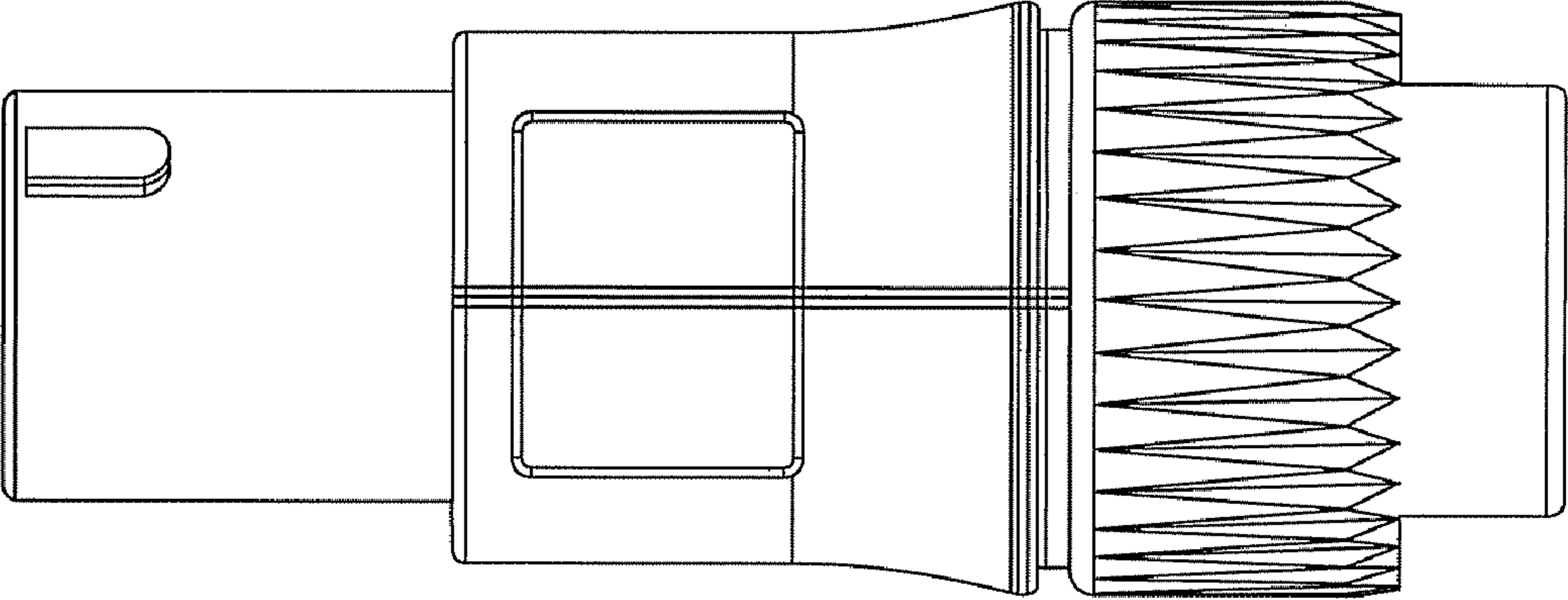
The broken line showing of unclaimed internal detail in FIGS. 5 and 6 is included for illustrative purposes only and forms no part of the claimed design.

**1 Claim, 3 Drawing Sheets**

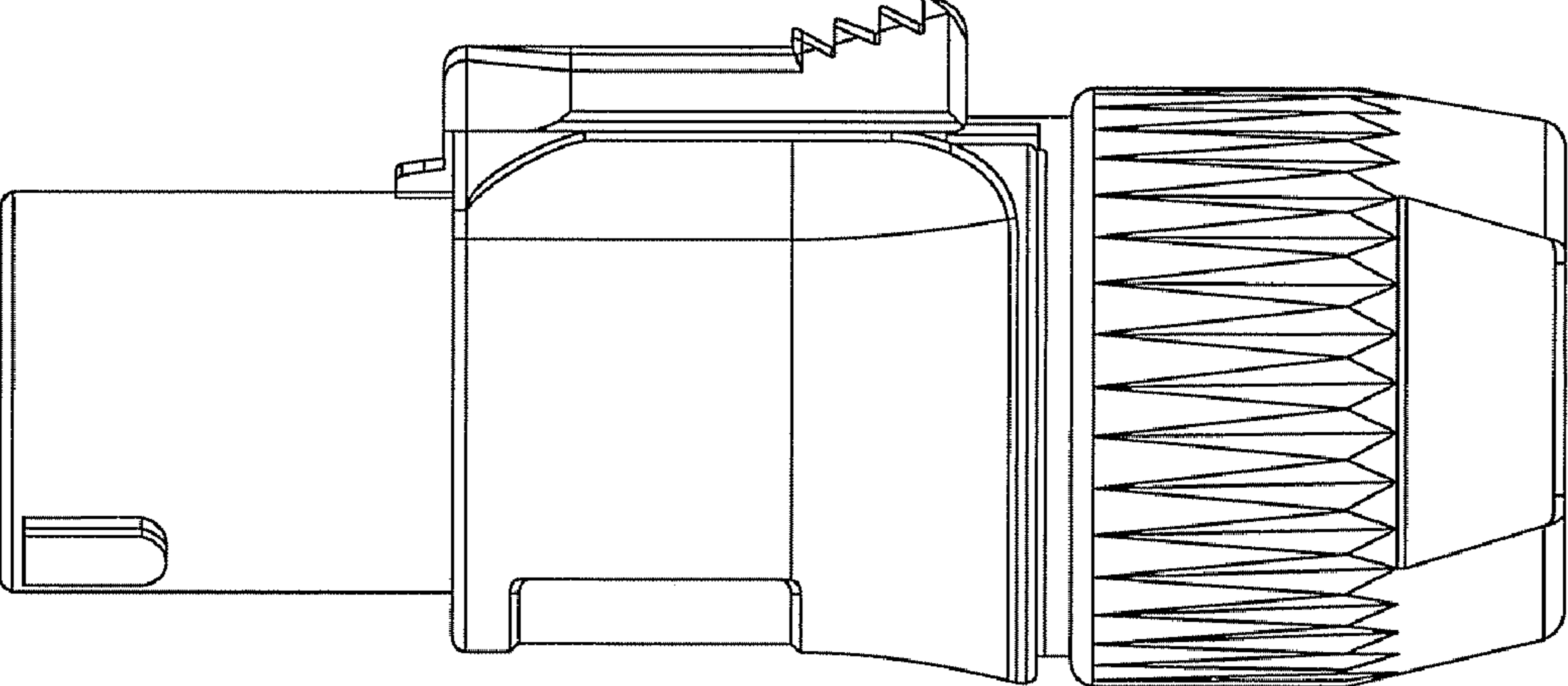




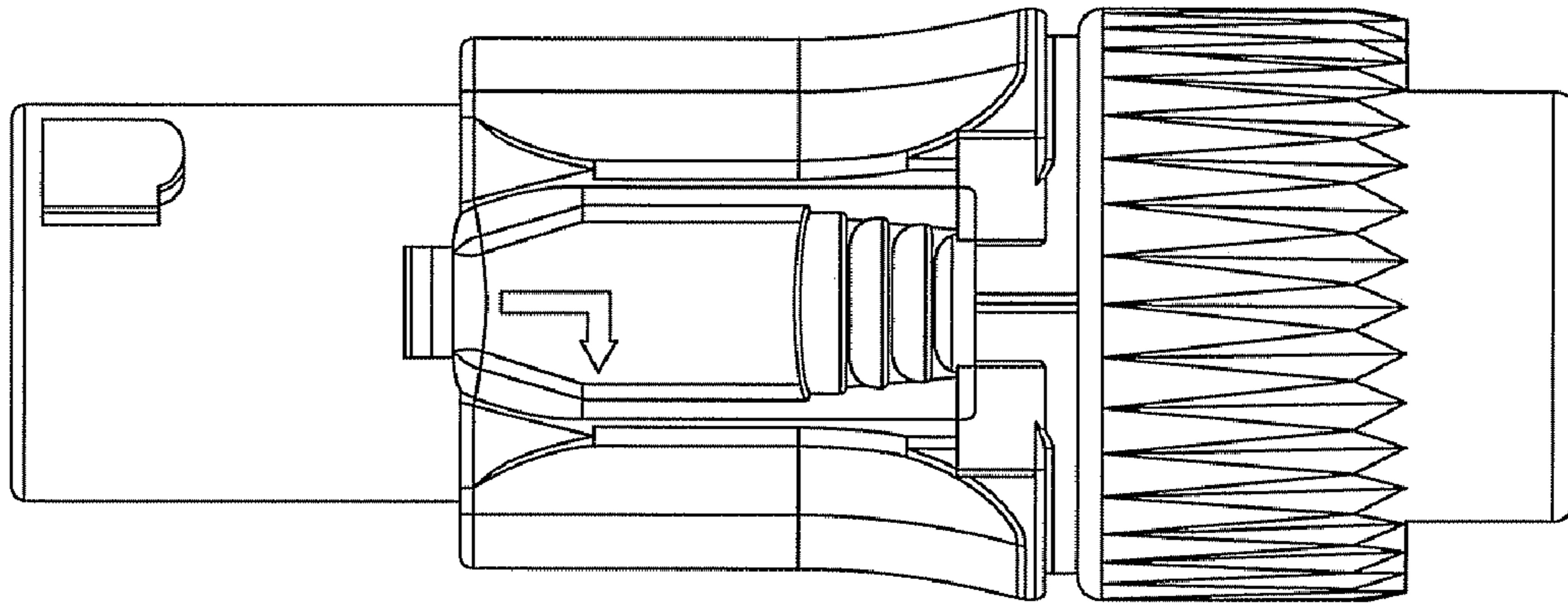
*FIG. 1*



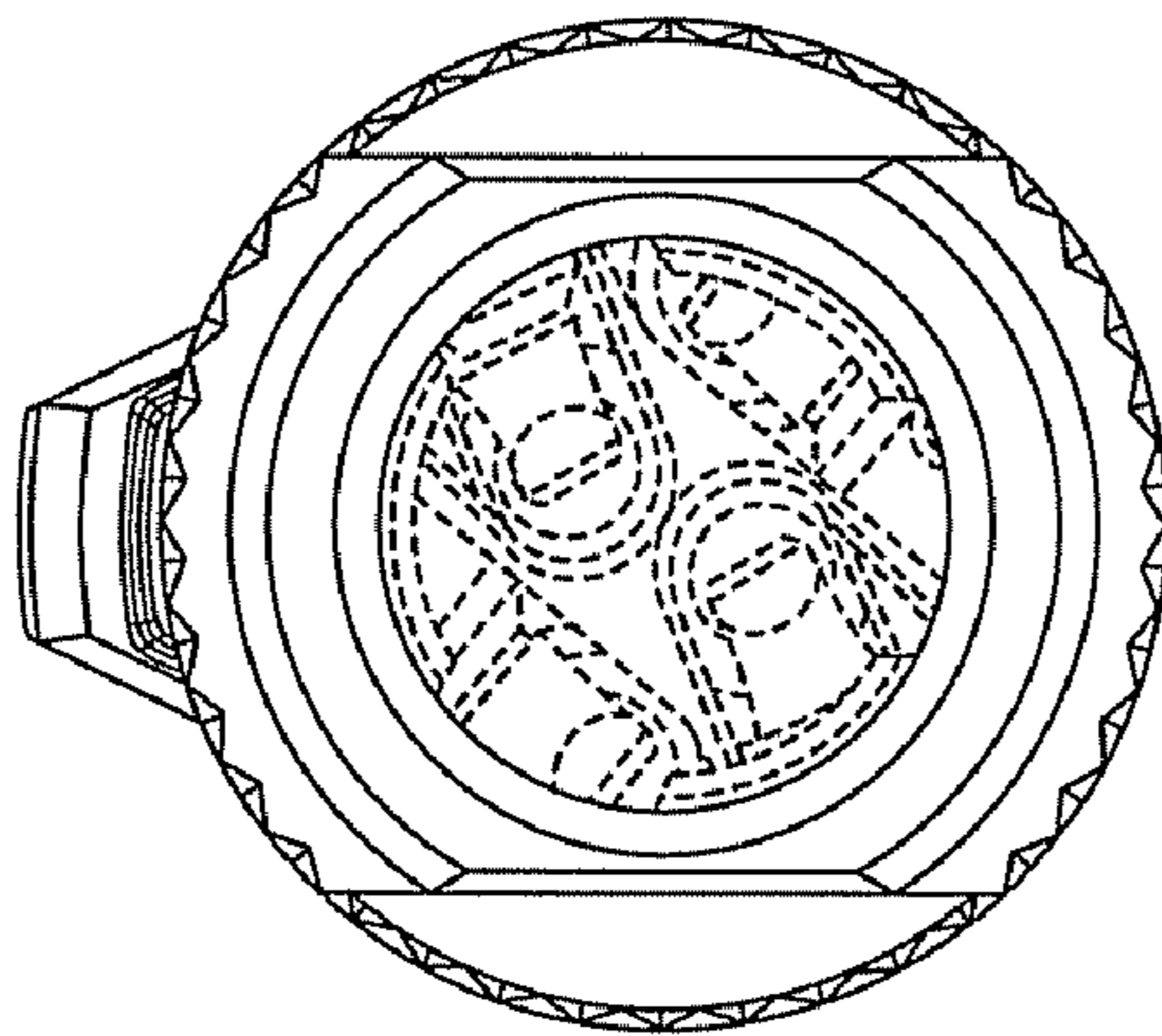
*FIG. 2*



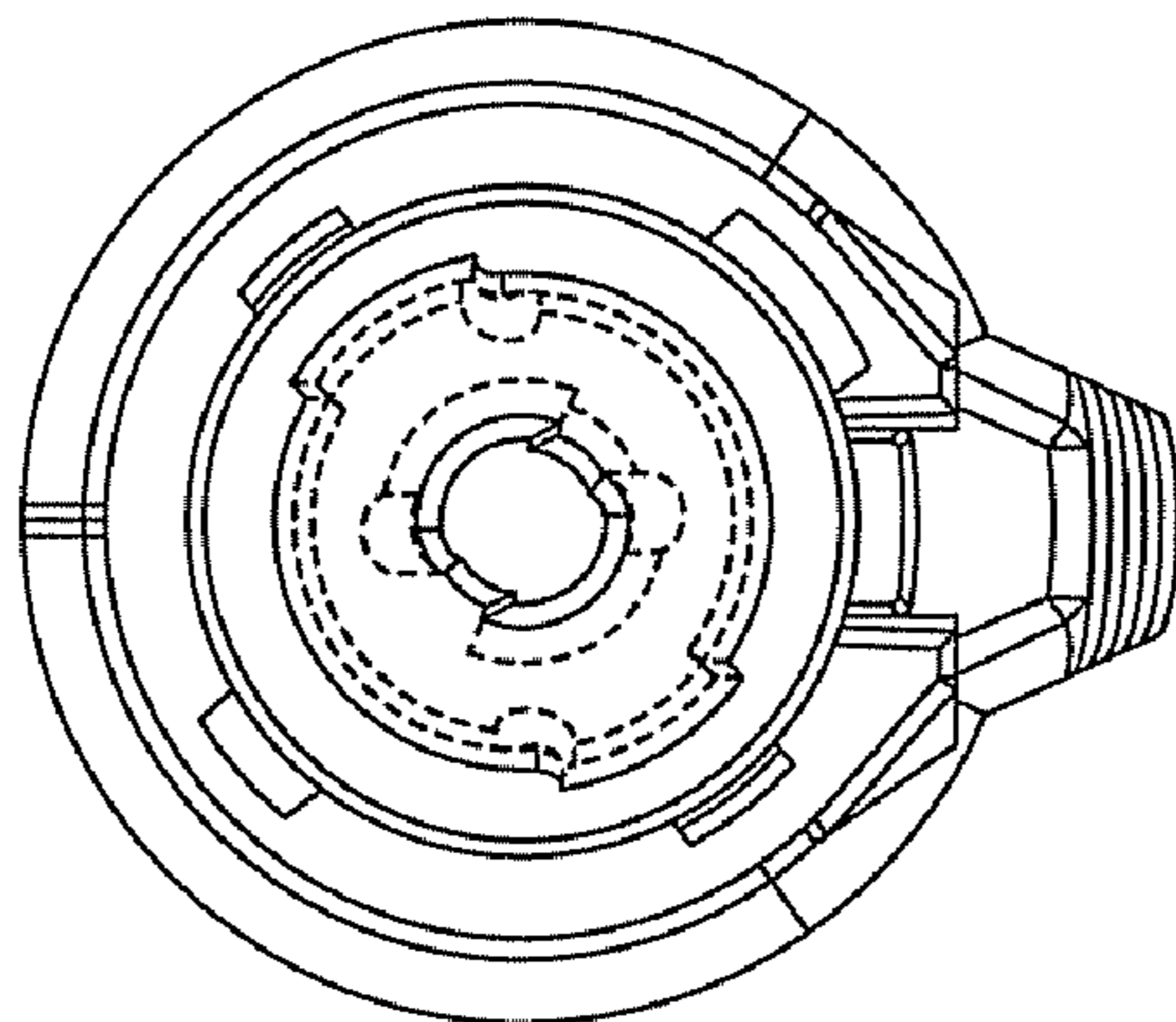
*FIG. 3*



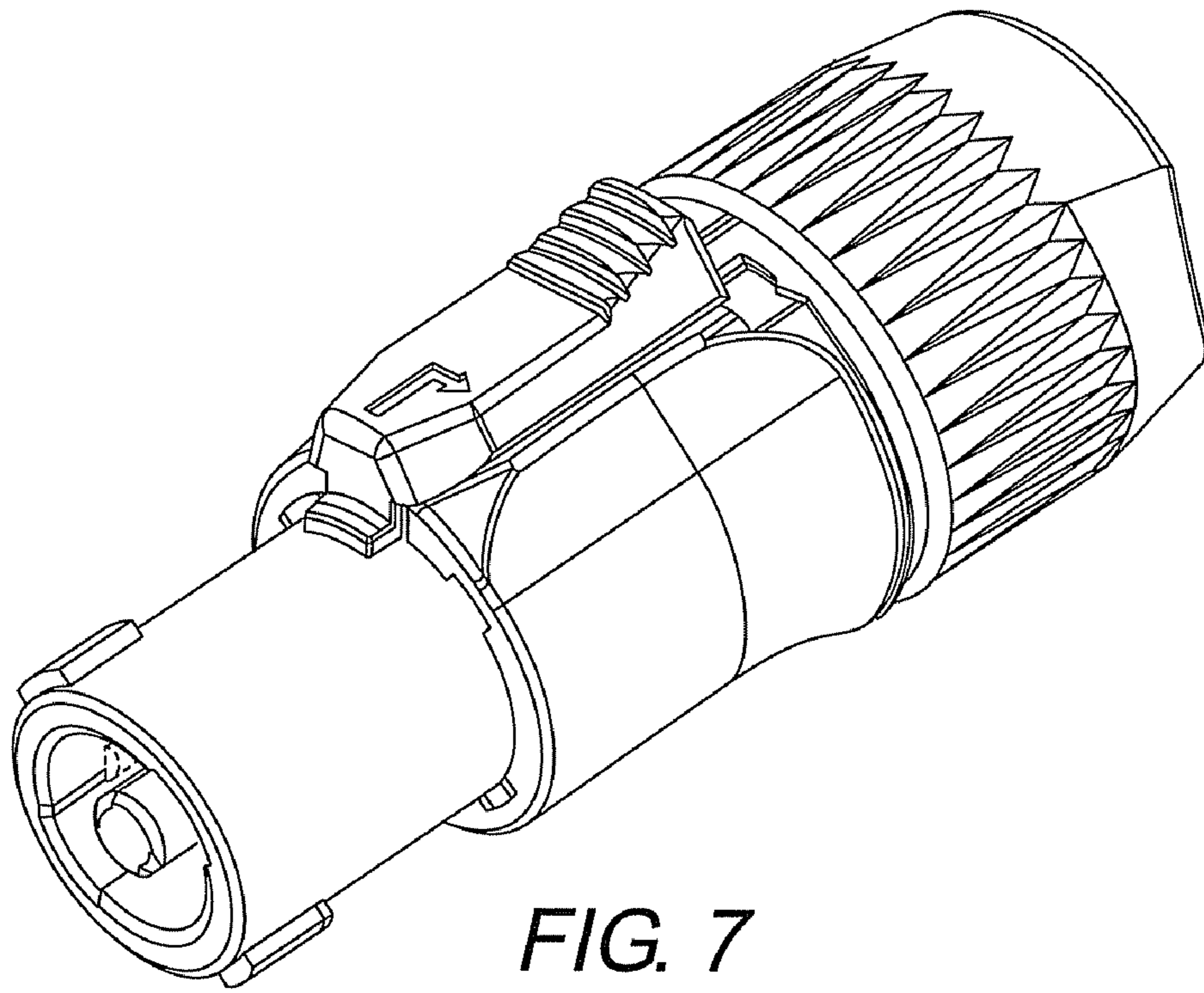
**FIG. 4**



**FIG. 5**



**FIG. 6**



*FIG. 7*