



US00D587201S

(12) **United States Design Patent**  
**Allwood et al.**

(10) **Patent No.:** **US D587,201 S**  
(45) **Date of Patent:** **\*\* Feb. 24, 2009**

(54) **CONNECTION MODULE**

(75) Inventors: **Brent David Allwood**, Buttaba (AU);  
**Jeffrey Allen Glen**, Birchgrove (AU)

(73) Assignee: **ADC GmbH**, Berlin (DE)

(\*\*) Term: **14 Years**

(21) Appl. No.: **29/262,761**

(22) Filed: **Jul. 10, 2006**

(30) **Foreign Application Priority Data**

Jan. 11, 2006 (DE) ..... 4 06 00 175

(51) **LOC (9) Cl.** ..... **13-03**

(52) **U.S. Cl.** ..... **D13/133; D13/146**

(58) **Field of Classification Search** ..... D13/133,  
D13/146, 147, 154, 184, 199; 439/278, 607,  
439/668, 669, 894, 352, 398, 402-404, 415,  
439/608; 174/176

See application file for complete search history.

(56) **References Cited**

**U.S. PATENT DOCUMENTS**

- 3,154,363 A 10/1964 Will
- 3,836,944 A 9/1974 Lawson
- D236,250 S \* 8/1975 Walton ..... D8/396
- 3,985,416 A 10/1976 Dola et al.
- D302,421 S \* 7/1989 Ichitsubo ..... D13/133
- 4,891,018 A 1/1990 Afflerbaugh et al.
- 4,981,443 A 1/1991 Suverison et al.
- 5,067,910 A 11/1991 Knox et al.
- D379,969 S \* 6/1997 Tan ..... D13/147
- 5,735,699 A \* 4/1998 Tan et al. .... 439/92
- 6,083,044 A \* 7/2000 Wang et al. .... 439/567
- 6,139,352 A 10/2000 Daoud
- 6,179,653 B1 \* 1/2001 Cheng et al. .... 439/541.5
- 6,208,233 B1 3/2001 Stein, Sr. et al.
- 6,213,812 B1 \* 4/2001 Kan ..... 439/607
- D450,659 S \* 11/2001 Hu et al. .... D13/147
- D462,054 S \* 8/2002 Ma et al. .... D13/133
- D467,872 S \* 12/2002 Yeh ..... D13/133
- D523,815 S \* 6/2006 Lai ..... D13/147

- D556,137 S \* 11/2007 Lin et al. .... D13/133
- 2003/0062191 A1 4/2003 Miller et al.
- 2005/0070147 A1 3/2005 Hung

**FOREIGN PATENT DOCUMENTS**

- DE 3200213 A1 10/1982
- DE 202 18 374 U1 4/2004
- DE 10 2004 037 991 A1 11/2005
- EP 0 871 245 A2 10/1998
- EP 1 039 580 A2 9/2000

**OTHER PUBLICATIONS**

- Ideal Industries, QuickJaw™ Insulation Displacement Connector, 1 page (Jun. 11, 2004).
- Ideal Industries, QuickJaw™ Wire Connector, 2 pages (black/white and color copies) (Jul. 28, 2003).
- Ideal Industries, QuickJaw™ Wire Connector, 1 page (color copy) (Jan. 4, 2004).

\* cited by examiner

*Primary Examiner*—Daniel D Bui

*Assistant Examiner*—Thomas J Johannes

(74) *Attorney, Agent, or Firm*—Merchant & Gould P.C.

(57) **CLAIM**

The ornamental design for connection module, as shown and described.

**DESCRIPTION**

FIG. 1 is a front elevational view of a connection module in accordance with our invention thereof;

FIG. 2 is a top plan view thereof;

FIG. 3 is a left side elevational view thereof;

FIG. 4 is a rear elevational view thereof;

FIG. 5 is a right side elevational view thereof;

FIG. 6 is a bottom plan view thereof; and,

FIG. 7 is a front, top and right side perspective view of a connection module.

The broken lines in the figure drawings are included to illustrate unclaimed internal portions of the connector module and form no part of the claimed design.

**1 Claim, 3 Drawing Sheets**

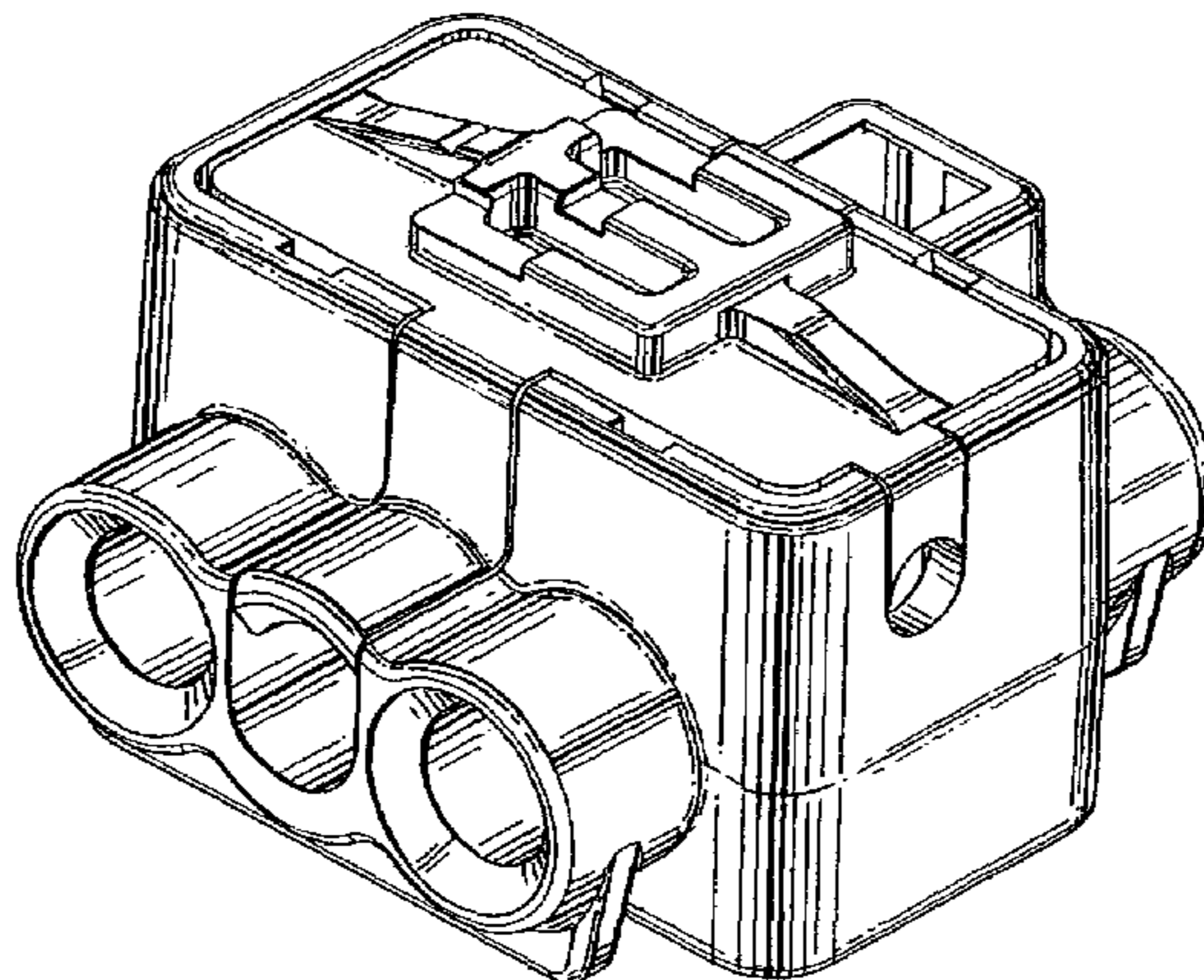


FIG.3

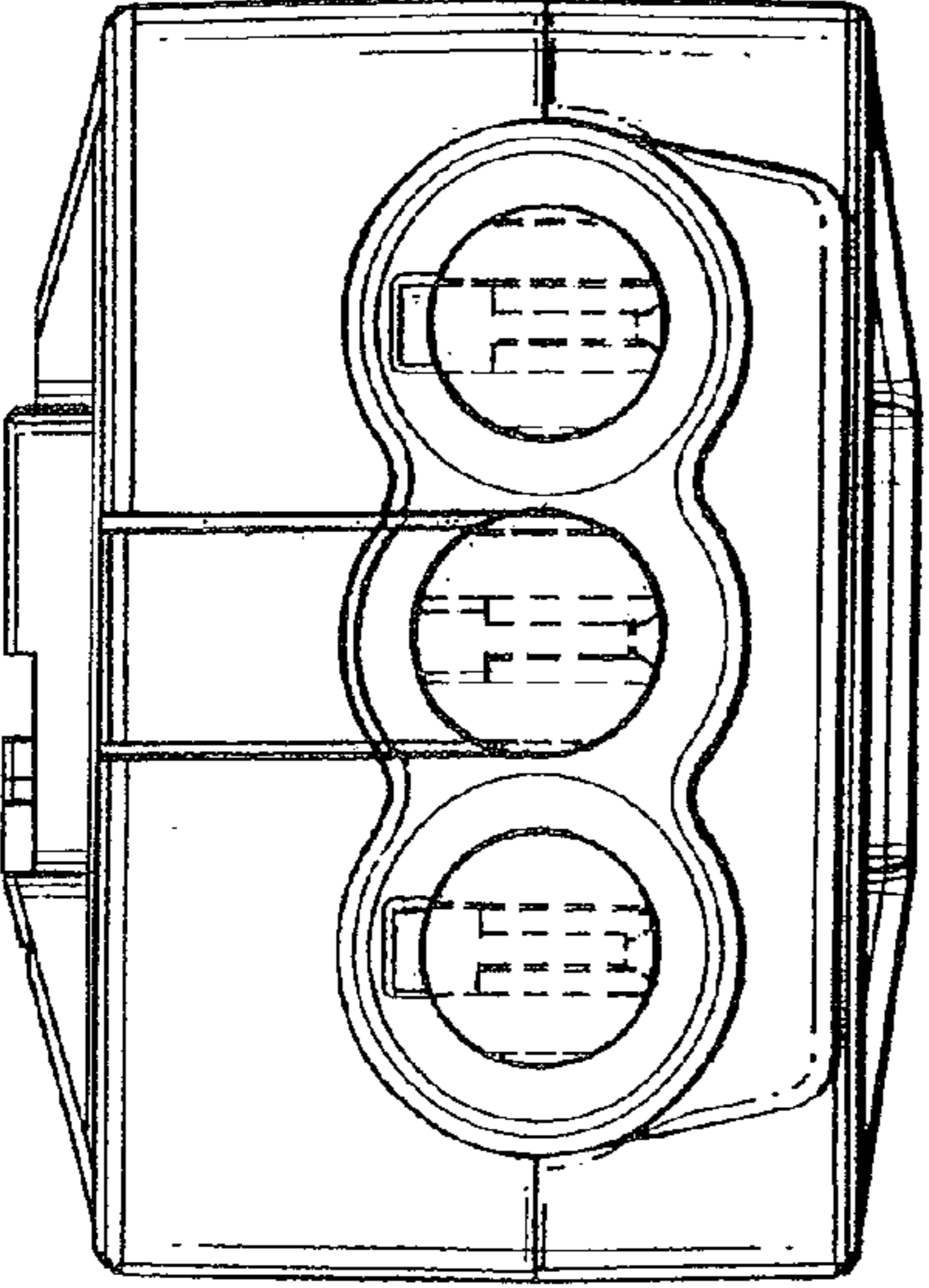
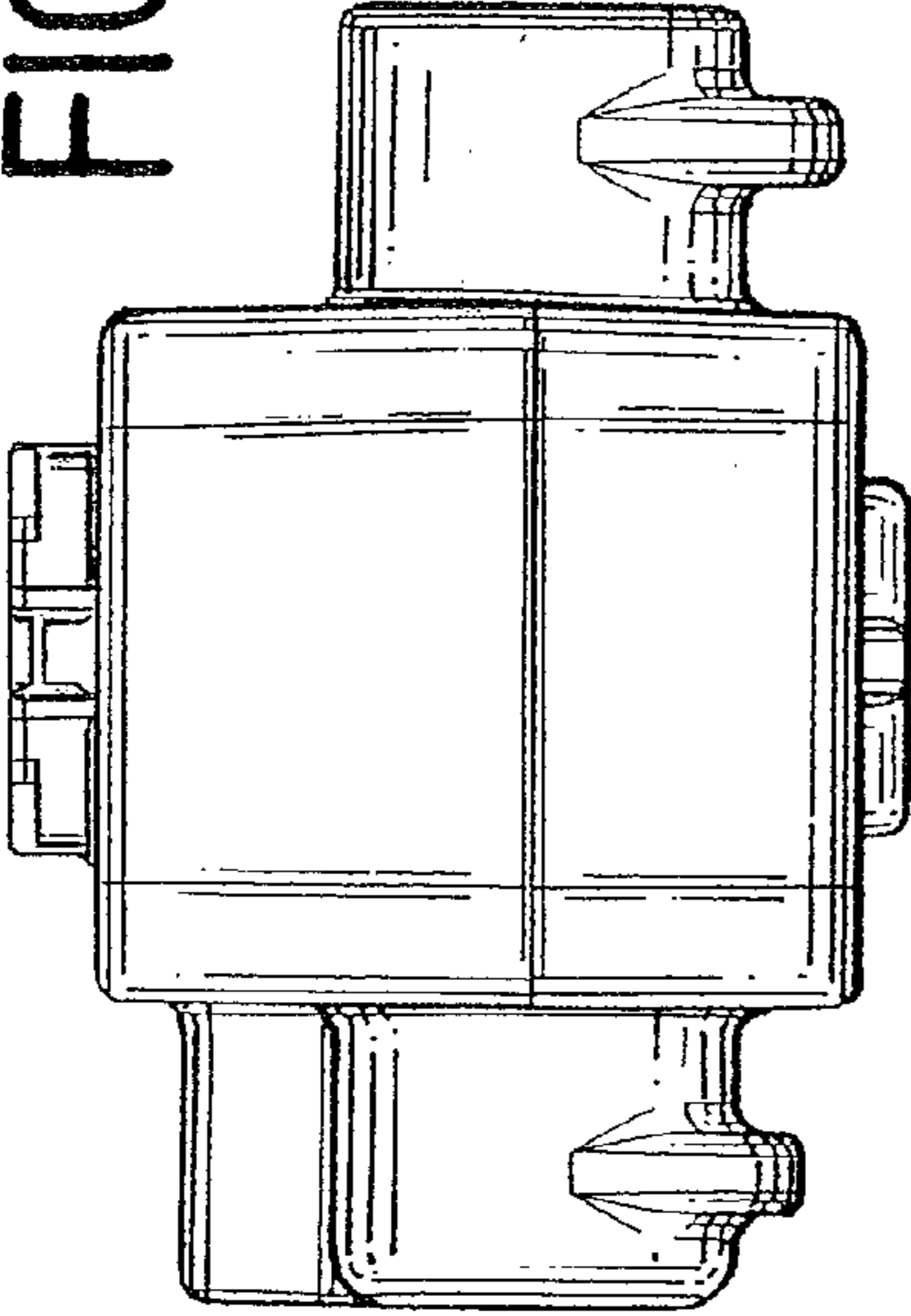


FIG.1

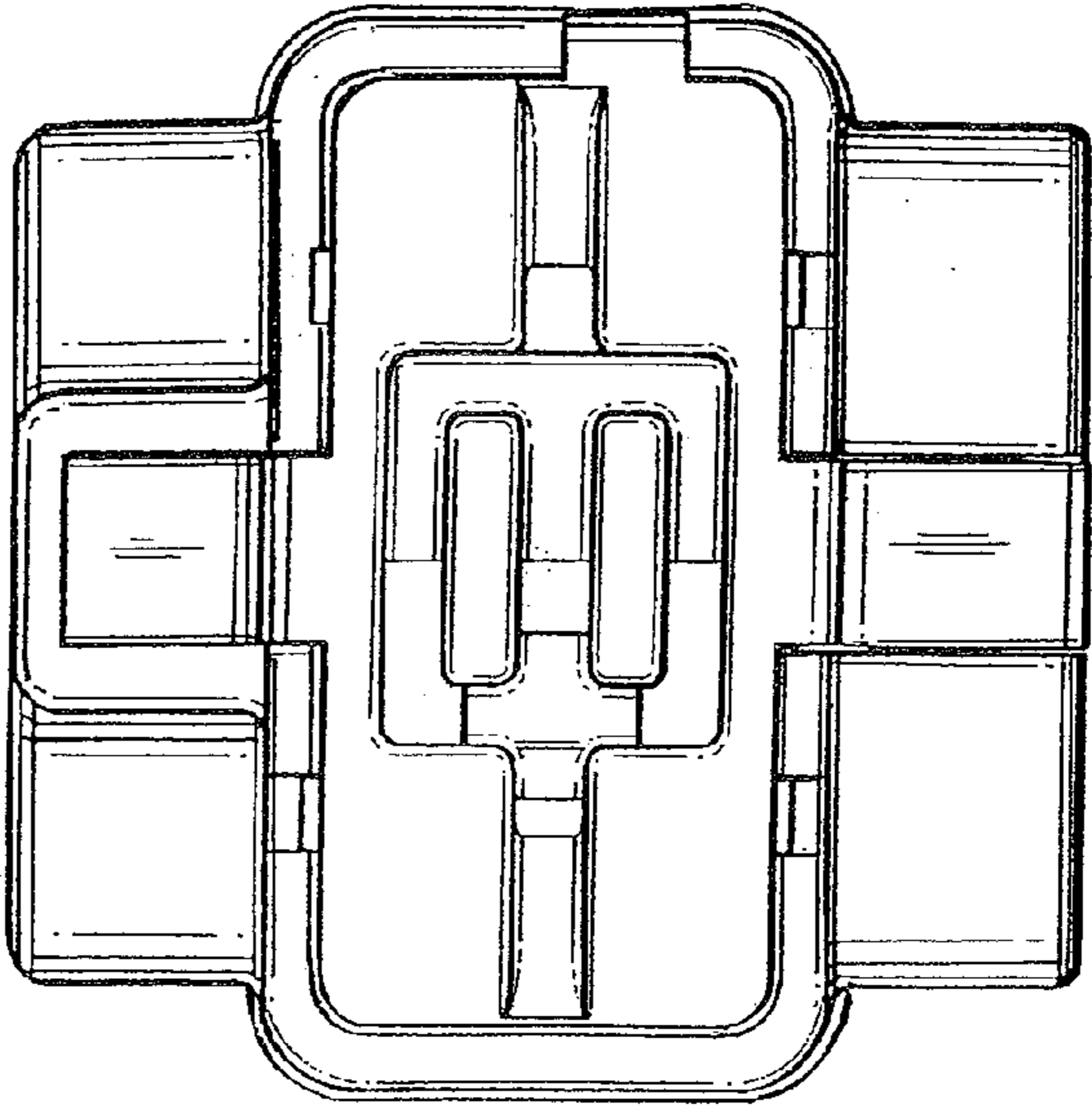


FIG.2

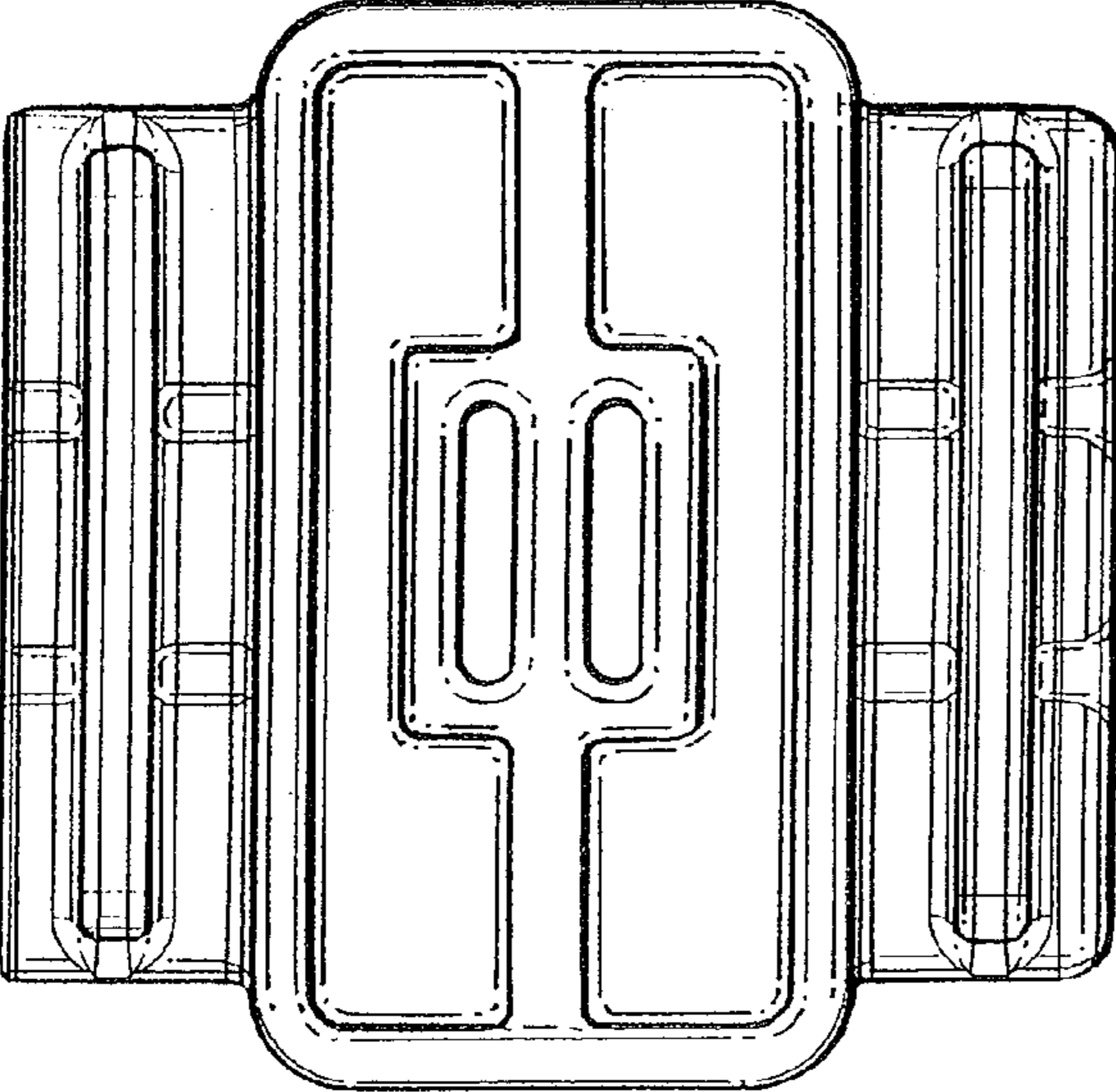


FIG. 6

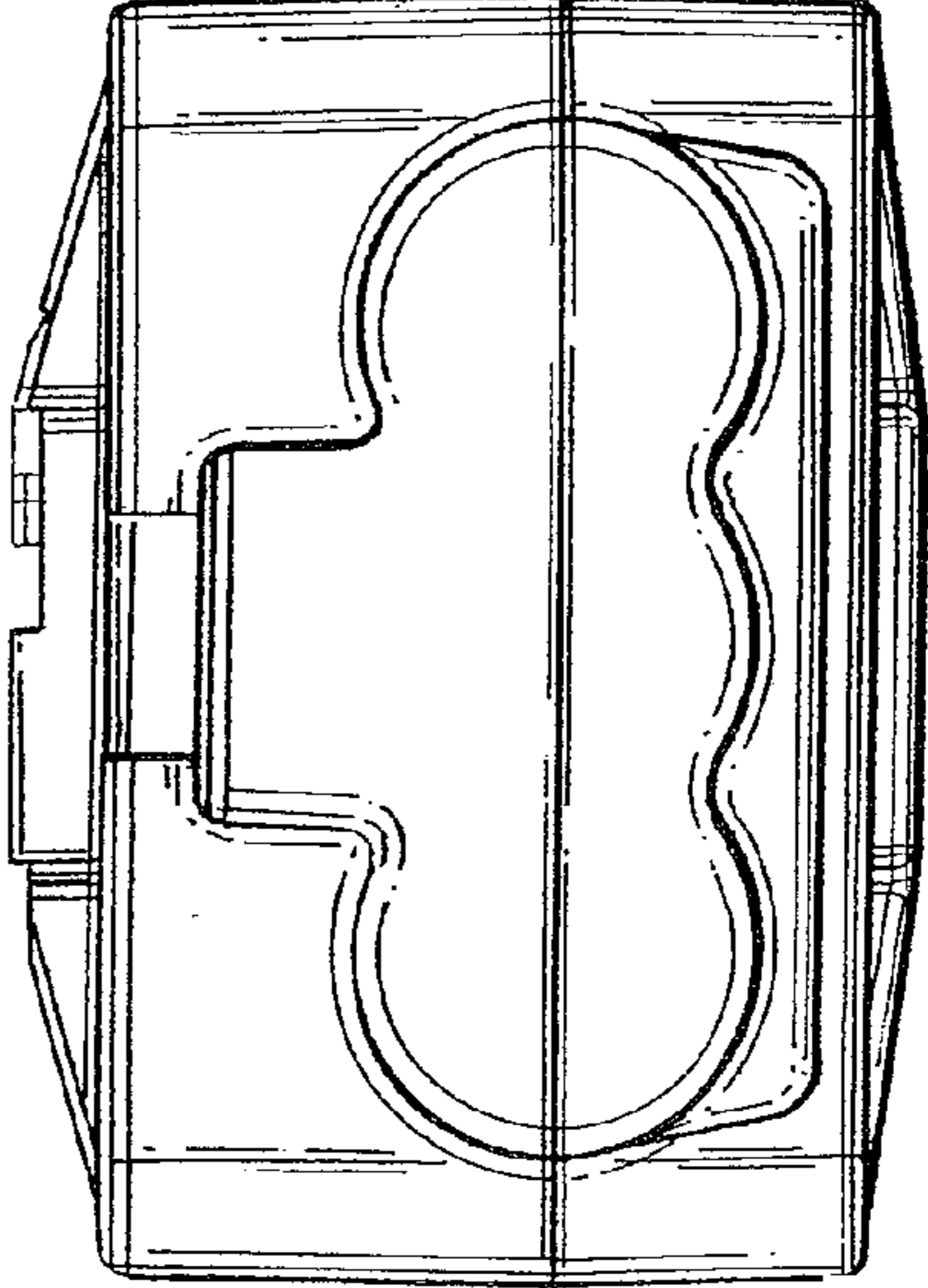


FIG. 4

FIG. 5

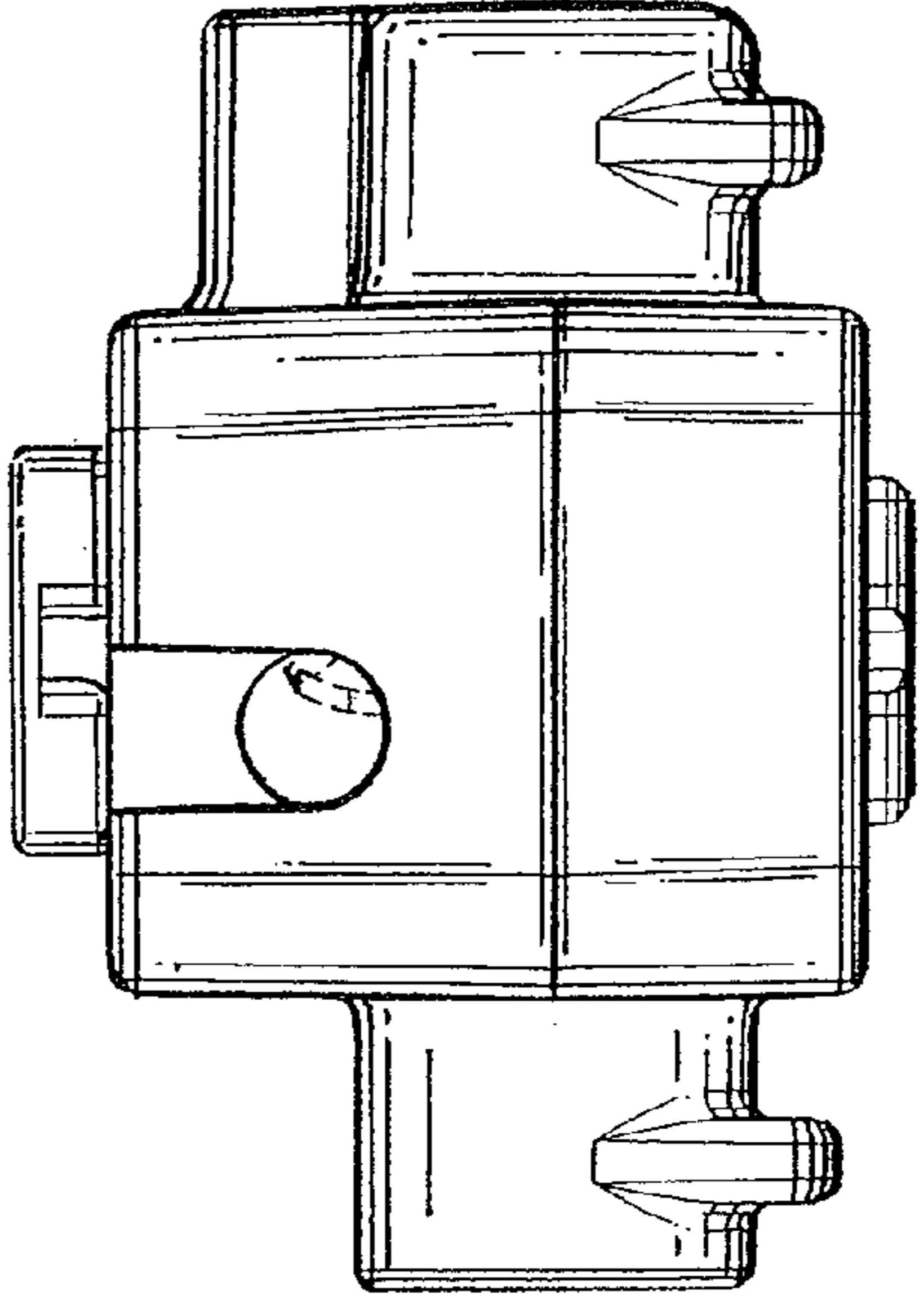


FIG.7

