



US00D587195S

(12) **United States Design Patent**
van Wijck

(10) **Patent No.:** **US D587,195 S**

(45) **Date of Patent:** **** Feb. 24, 2009**

(54) **WIND TURBINE**

(75) Inventor: **Dick van Wijck**, Biervliet (NL)

(73) Assignee: **Wind en Water Technolgie Holding B.V.**, DA Schoondijke (NL)

(**) Term: **14 Years**

(21) Appl. No.: **29/288,011**

(22) Filed: **May 24, 2007**

(30) **Foreign Application Priority Data**

Nov. 24, 2006 (EM) 000628250-0001

(51) **LOC (9) Cl.** **13-01**

(52) **U.S. Cl.** **D13/115**

(58) **Field of Classification Search** D13/115,
D13/118, 122, 199; D15/1, 199; D21/458;
415/916; 416/24, 31, 37, 38, 132 B, 132 R,
416/141, 142, 176, 177, 196 A

See application file for complete search history.

(56) **References Cited**

U.S. PATENT DOCUMENTS

D76,316 S * 9/1928 Lawson D10/54
D77,230 S * 12/1928 Fridolph D21/458
D102,403 S * 12/1936 Vaughn D23/379
4,003,676 A * 1/1977 Sweeney et al. 416/132 B
D252,877 S * 9/1979 Hanson D15/1
4,297,076 A * 10/1981 Donham et al. 416/37

D267,951 S * 2/1983 Smith D15/1
D305,419 S * 1/1990 Korneski D13/115
D408,083 S * 4/1999 Burton D25/1
D437,894 S * 2/2001 Johann D21/458
D465,450 S * 11/2002 Armano D13/102

* cited by examiner

Primary Examiner—Prabhakar Deshmukh

Assistant Examiner—Derrick Holland

(74) *Attorney, Agent, or Firm*—Abelman, Frayne & Schwab

(57) **CLAIM**

I claim the ornamental design for a wind turbine, as shown and described above.

DESCRIPTION

FIG. 1 is a rear elevation view of a wind turbine showing my new design;

FIG. 2 is a top plan view thereof;

FIG. 3 is a right side view thereof;

FIG. 4 is a left side view thereof;

FIG. 5 is a front view thereof; and,

FIG. 6 is a bottom plan view thereof.

No claim is made to the supporting element shown in broken lines which is included for environmental purposes only.

The pole element shown broken-away is for convenience of illustration and claims no particular length.

1 Claim, 6 Drawing Sheets

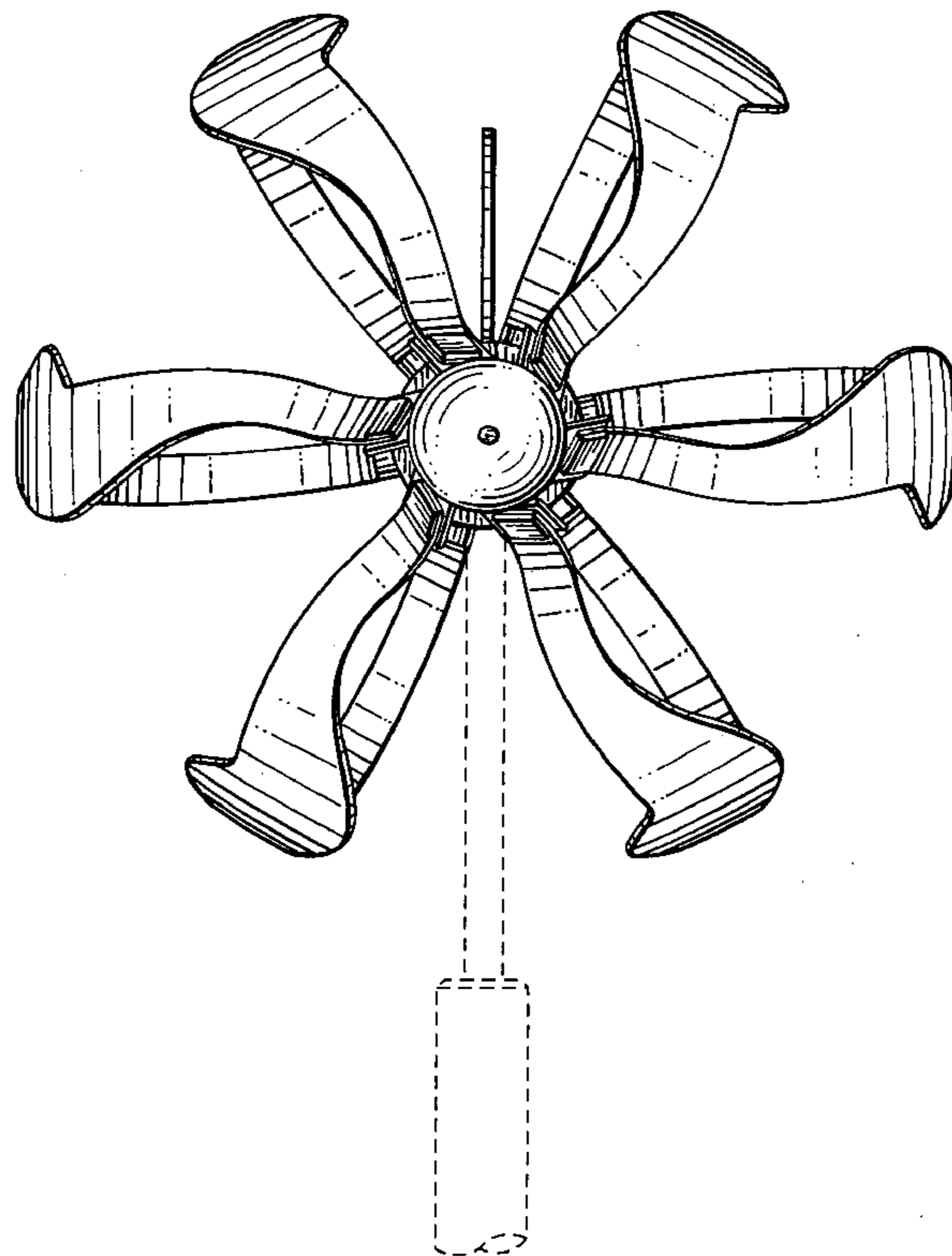


FIG. 1

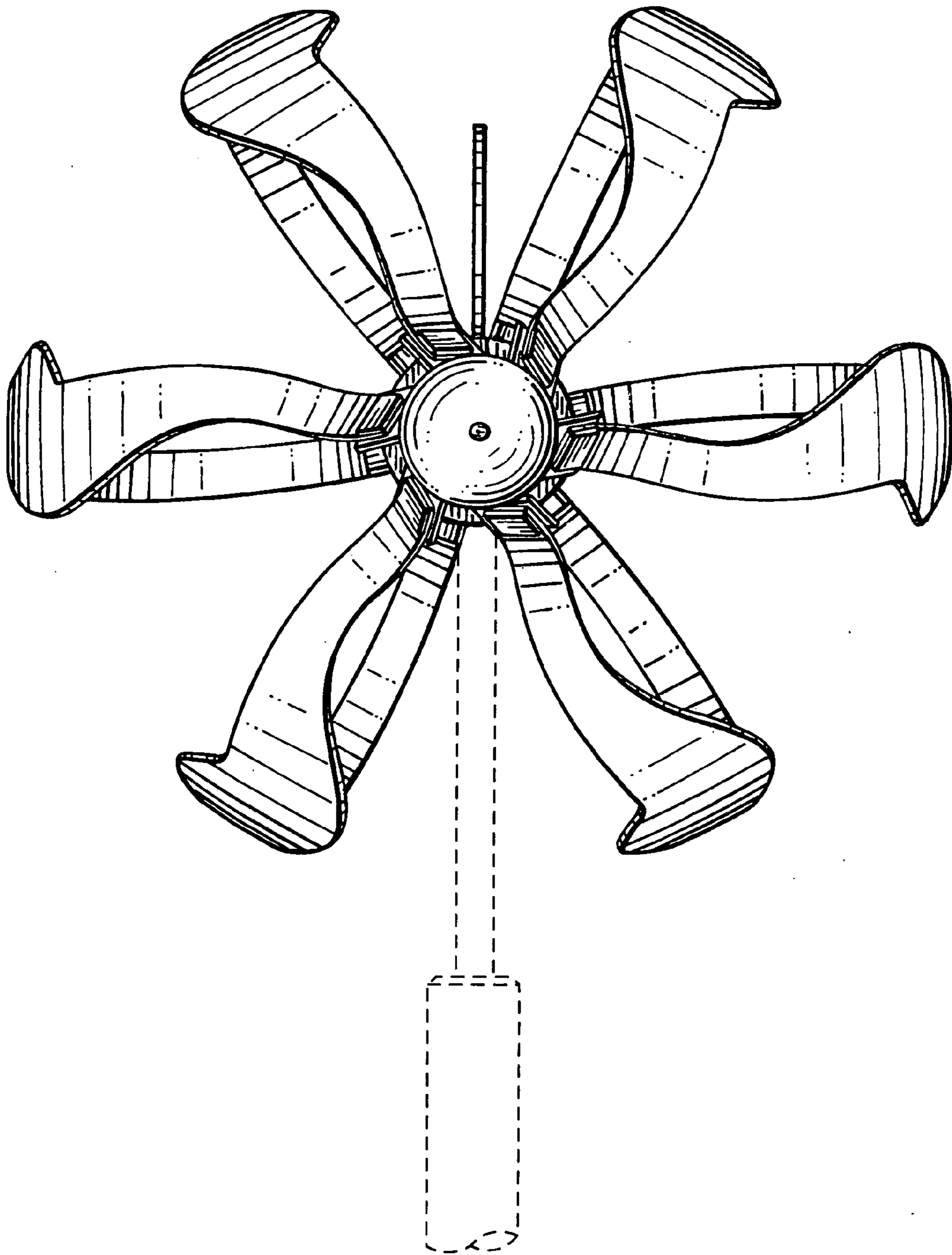
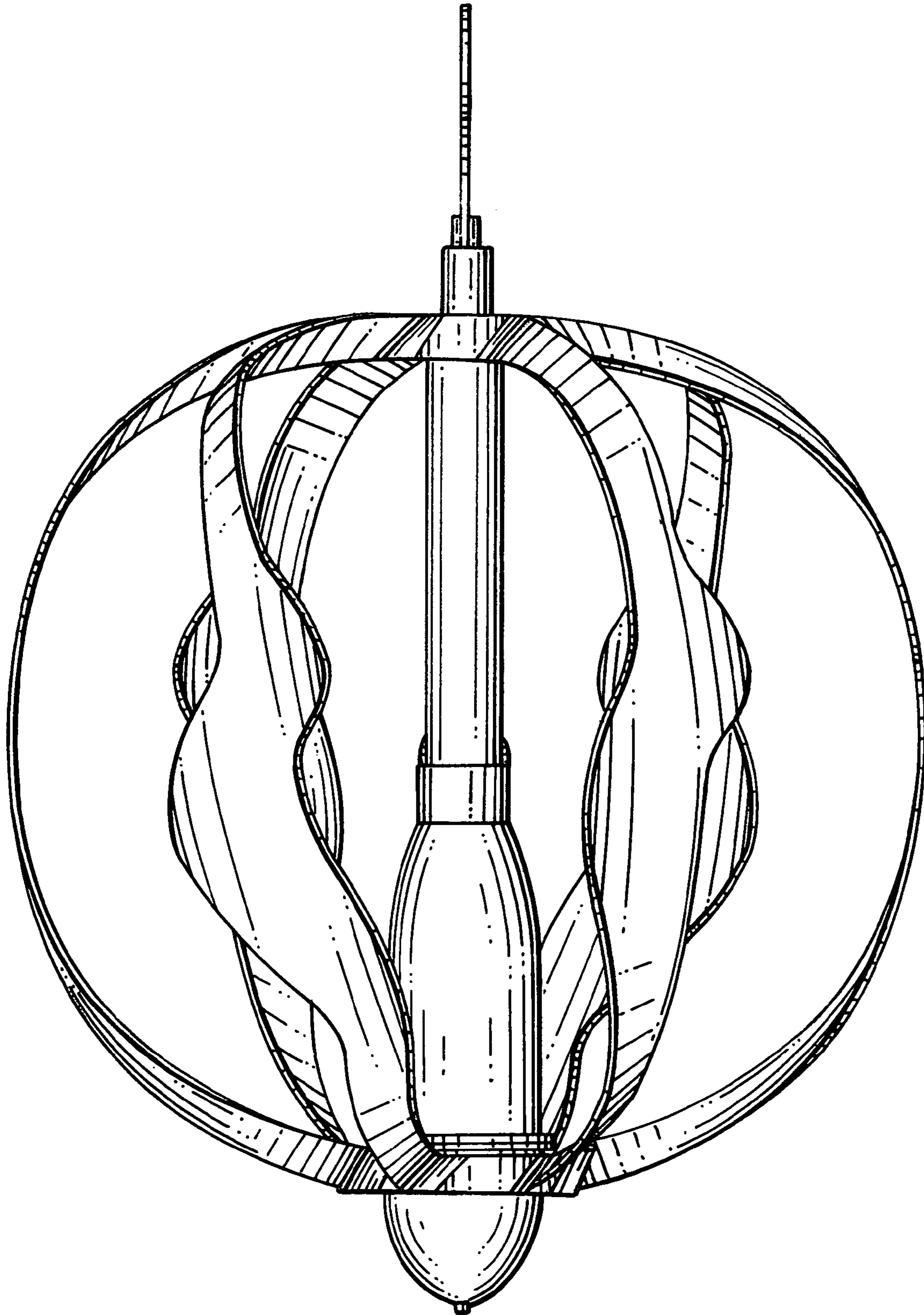


FIG. 2



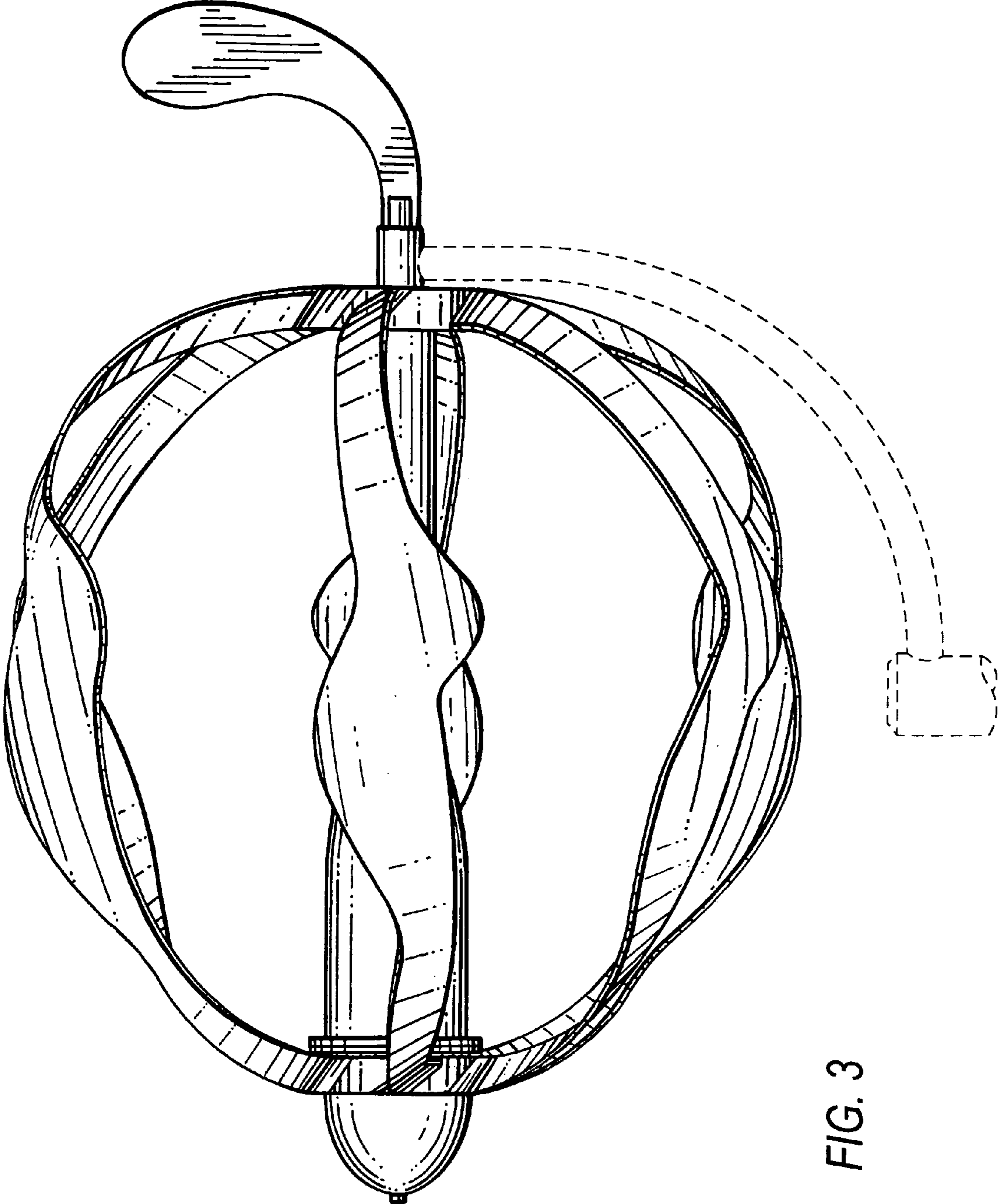


FIG. 3

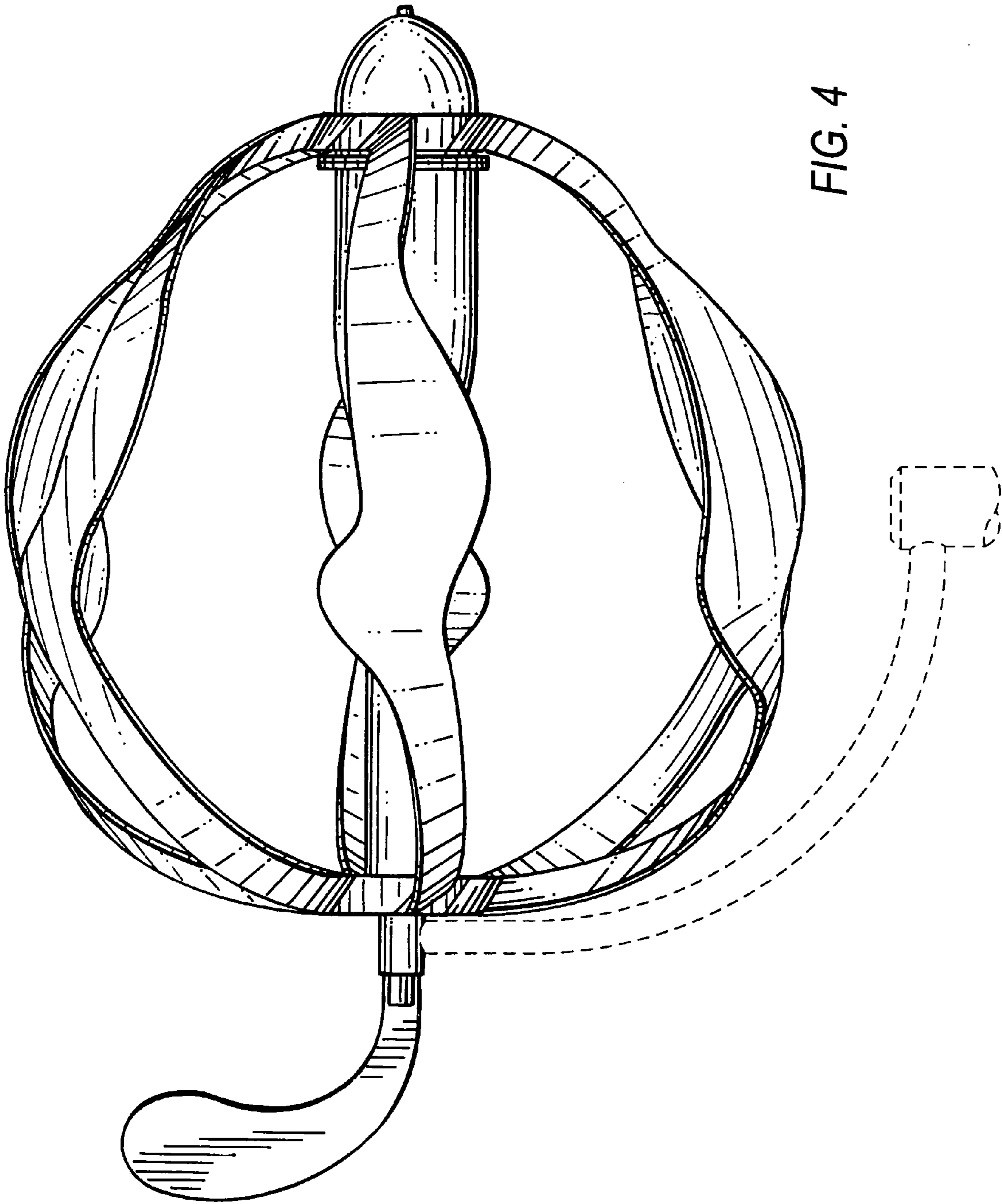


FIG. 4

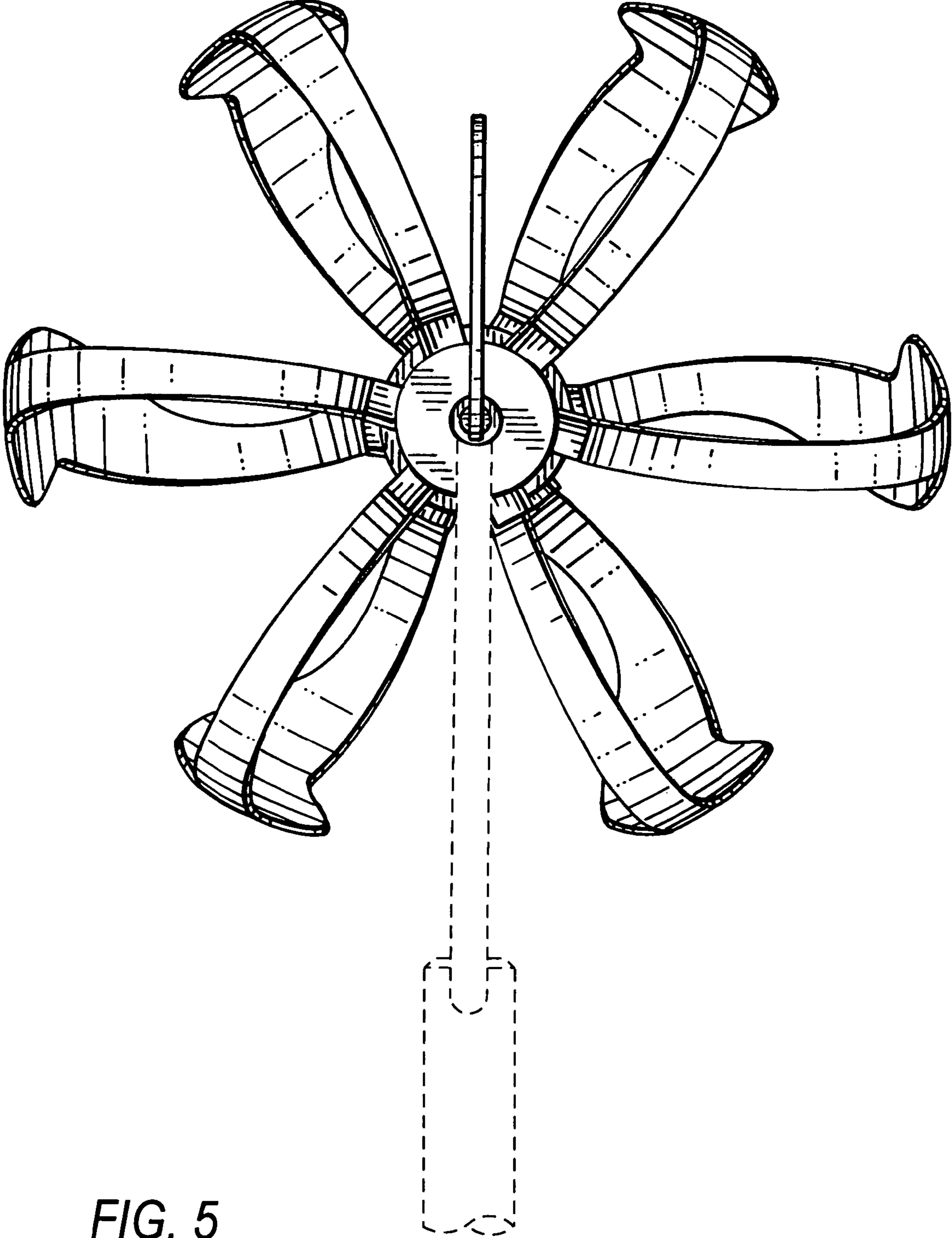


FIG. 5

FIG. 6

