



US00D587194S

(12) **United States Design Patent**  
**Pourkermani**

(10) **Patent No.:** **US D587,194 S**  
(45) **Date of Patent:** **\*\* Feb. 24, 2009**

(54) **ELECTRICAL ALTERNATOR**

(75) Inventor: **Mahmood Pourkermani**, Wilmette, IL (US)

(73) Assignee: **C. E. Niehoff & Co.**, Evanston, IL (US)

(\*\*) Term: **14 Years**

(21) Appl. No.: **29/307,748**

(22) Filed: **May 8, 2008**

(51) **LOC (9) Cl.** ..... **15-01**

(52) **U.S. Cl.** ..... **D13/114**

(58) **Field of Classification Search** ..... D13/114,  
D13/101, 112; 310/89, 181, 43

See application file for complete search history.

(56) **References Cited**

**U.S. PATENT DOCUMENTS**

D398,285 S	9/1998	Becker et al.	
D398,286 S	9/1998	Becker et al.	
D425,020 S	5/2000	Becker et al.	
D467,541 S	12/2002	Hemphill	
D548,696 S	8/2007	Pourkermani et al.	
D563,870 S *	3/2008	Naghshineh	..... D13/114
D563,871 S *	3/2008	Becker et al.	..... D13/114
D574,325 S *	8/2008	Naghshineh	..... D13/114

**OTHER PUBLICATIONS**

C.E. Niehoff & Co. Brushless Alternators Product Catalog, 2001, pp. 32-42, U.S.A., U.K.

C.E. Niehoff & Co. Brushless Alternators, 2008, <http://www.ceniehoff.com>.

\* cited by examiner

*Primary Examiner*—Lisa P Lichtenstein

(74) *Attorney, Agent, or Firm*—Law Offices of Michael M. Ahmadshahi

(57) **CLAIM**

The ornamental design for an electrical alternator, as shown and described.

**DESCRIPTION**

FIG. 1 is a front view of an electrical alternator according to the present invention.

FIG. 2 is an enlarged rear view thereof.

FIG. 3 is a slightly reduced first side view thereof.

FIG. 4 is a very slightly reduced second side view thereof.

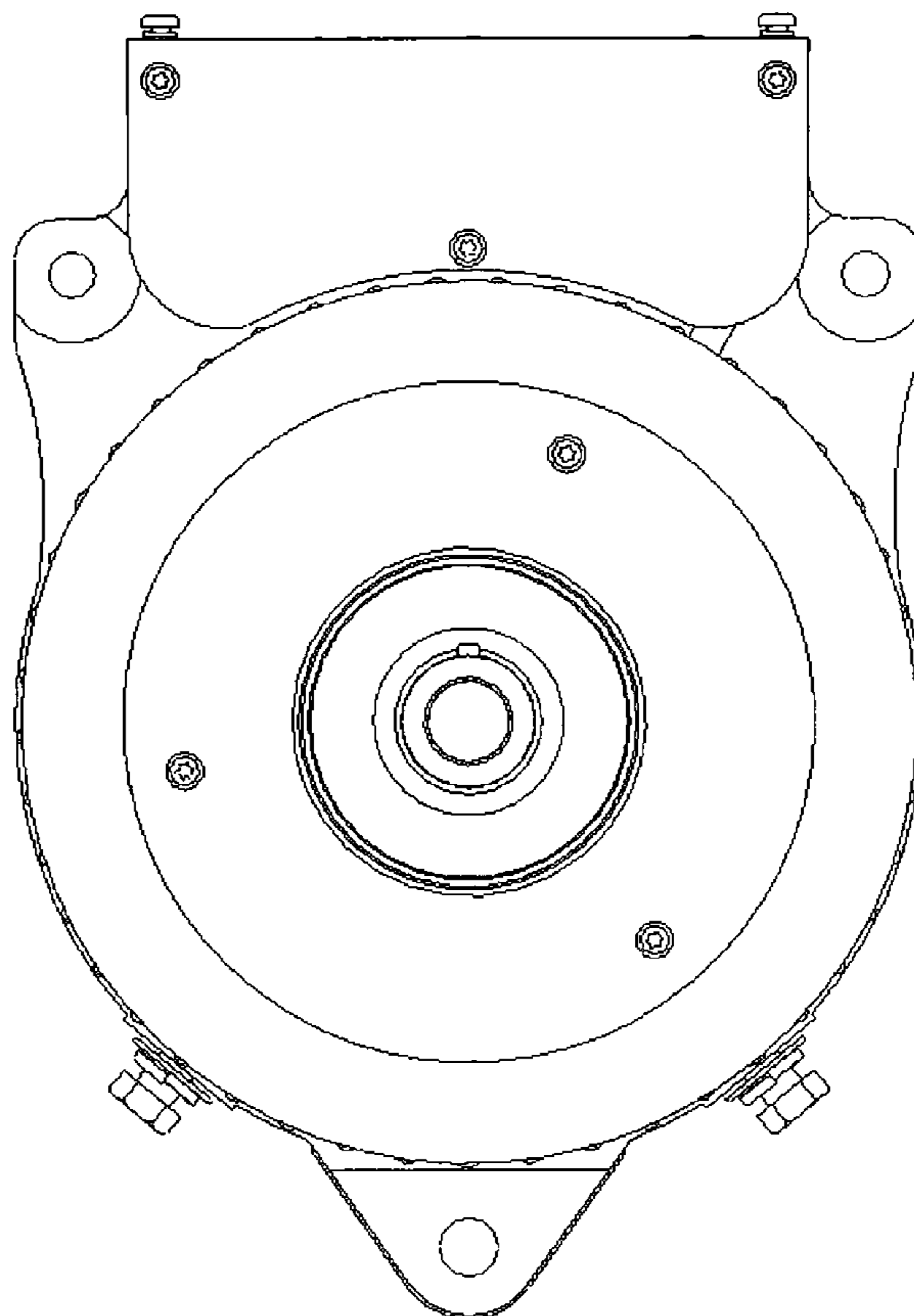
FIG. 5 is a very slightly reduced top view thereof.

FIG. 6 is a very slightly reduced bottom view thereof.

FIG. 7 is a reduced first isometric view thereof; and,

FIG. 8 is a second isometric view thereof.

**1 Claim, 8 Drawing Sheets**



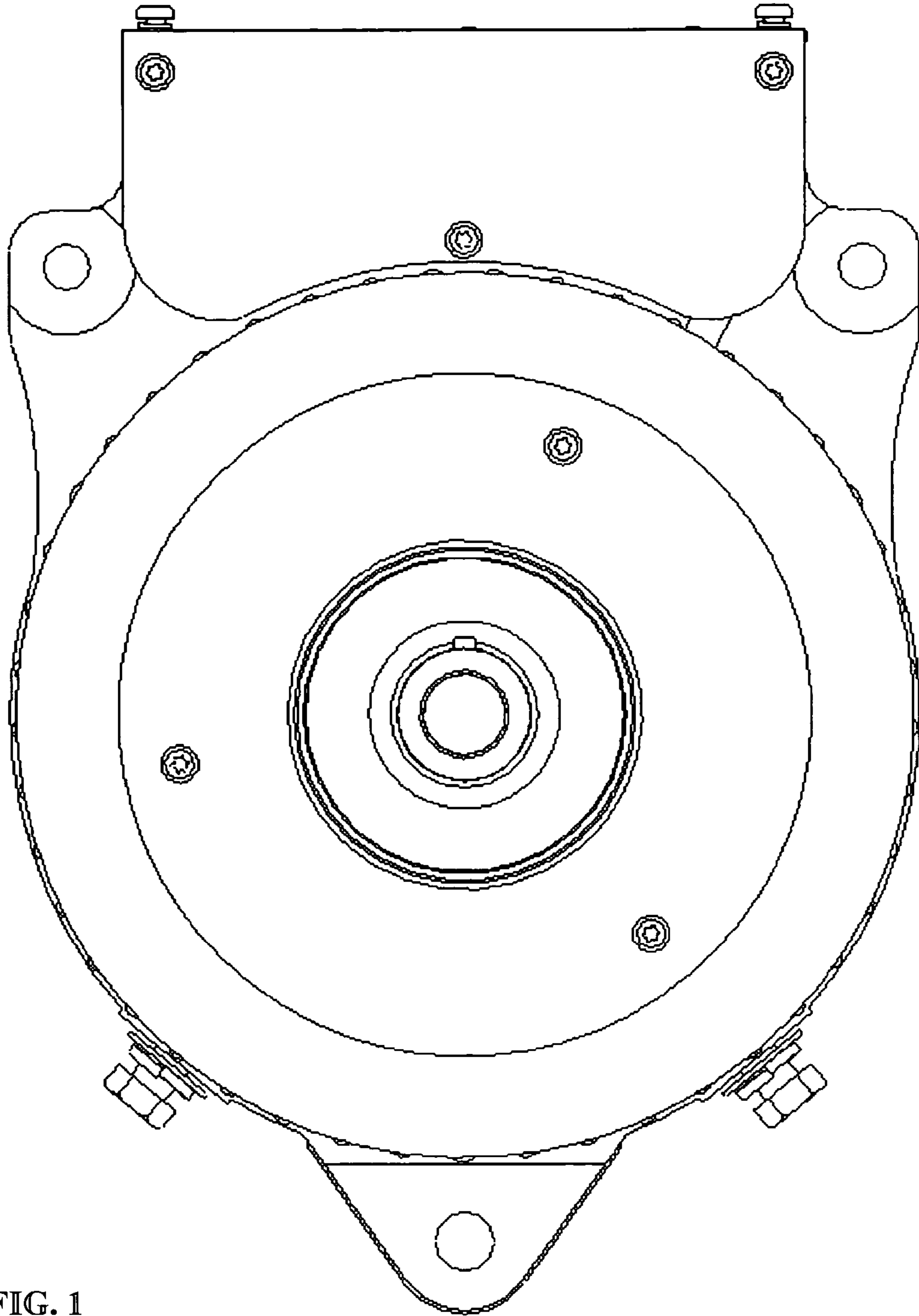


FIG. 1

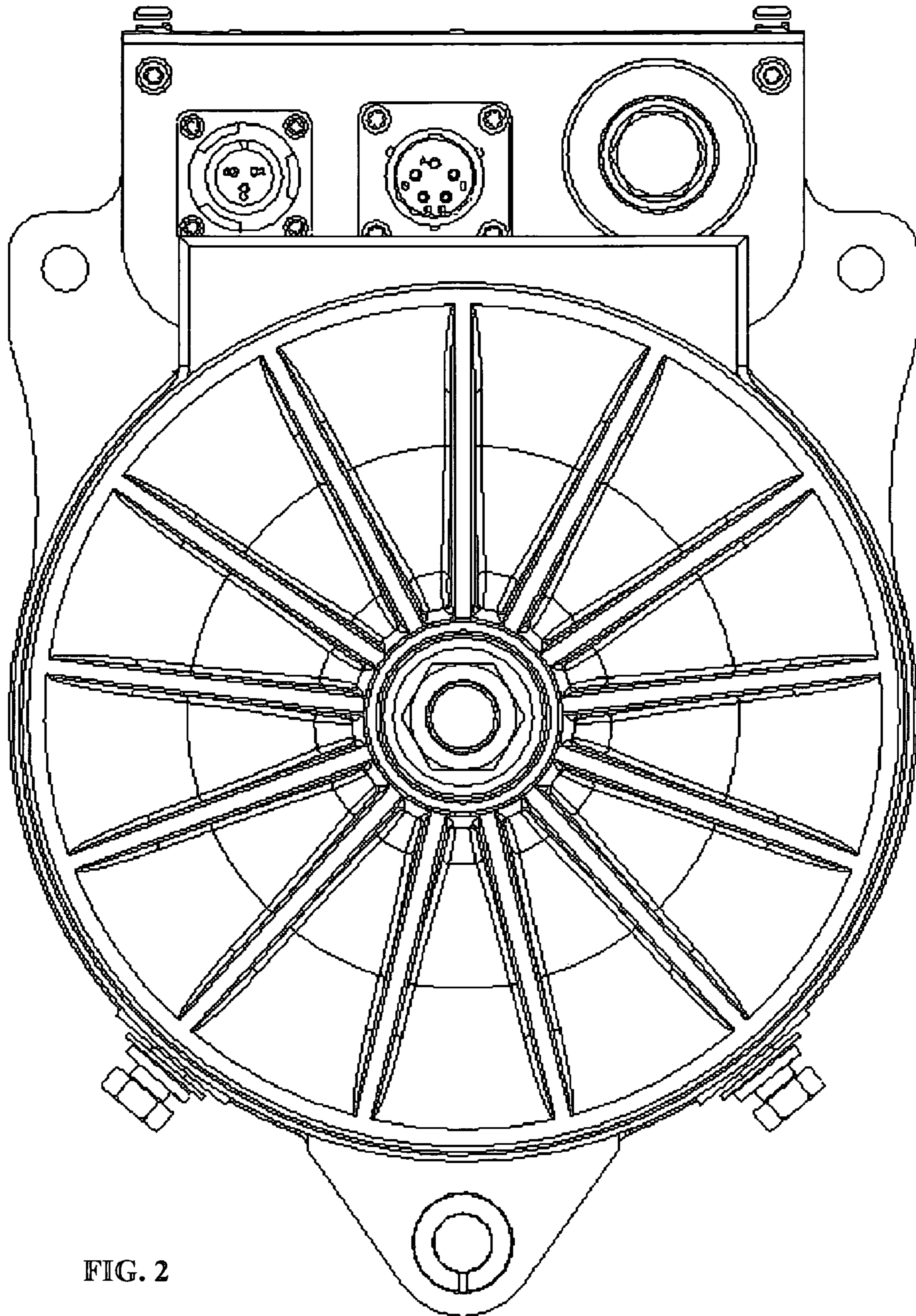


FIG. 2

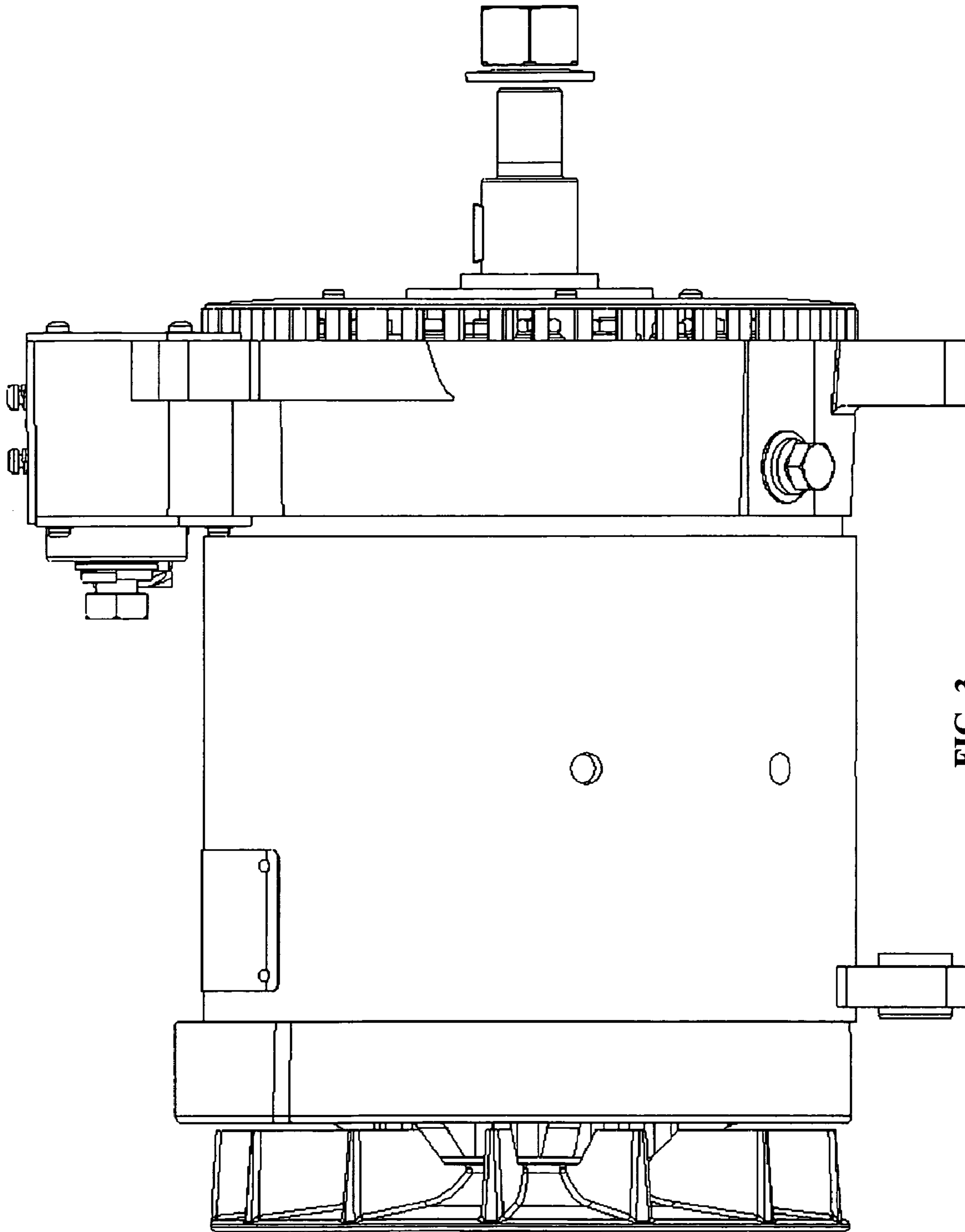


FIG. 3

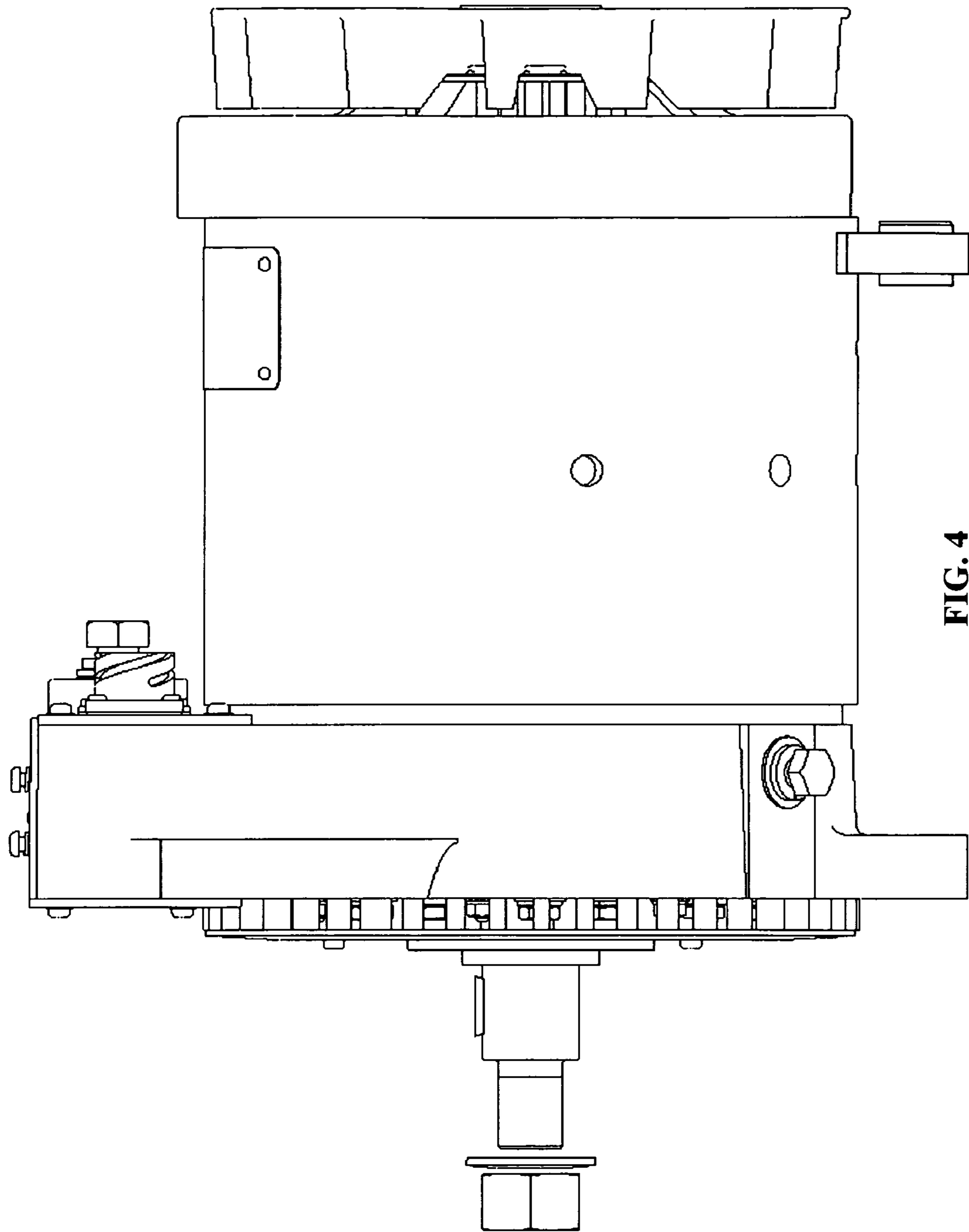


FIG. 4

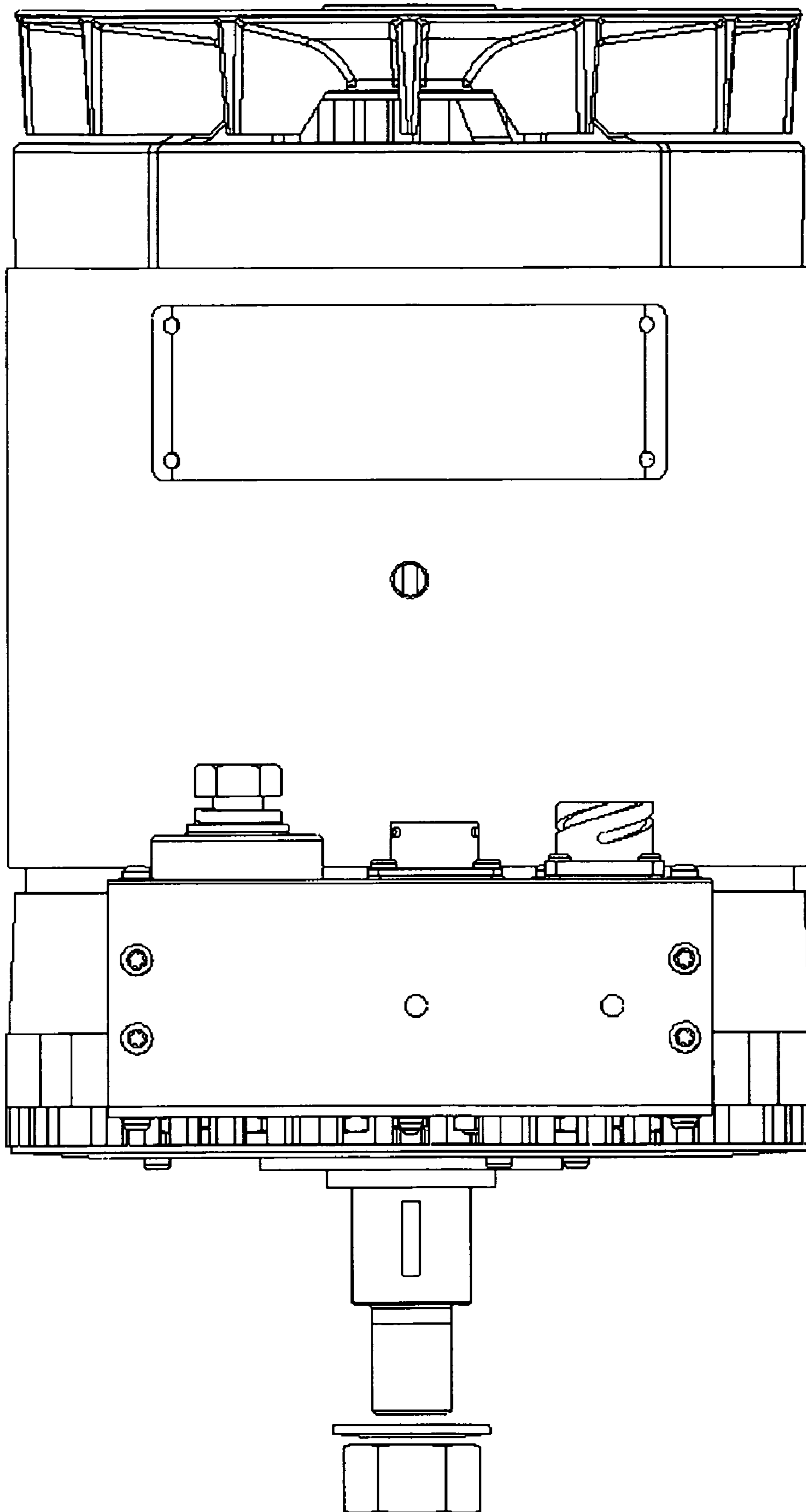


FIG. 5

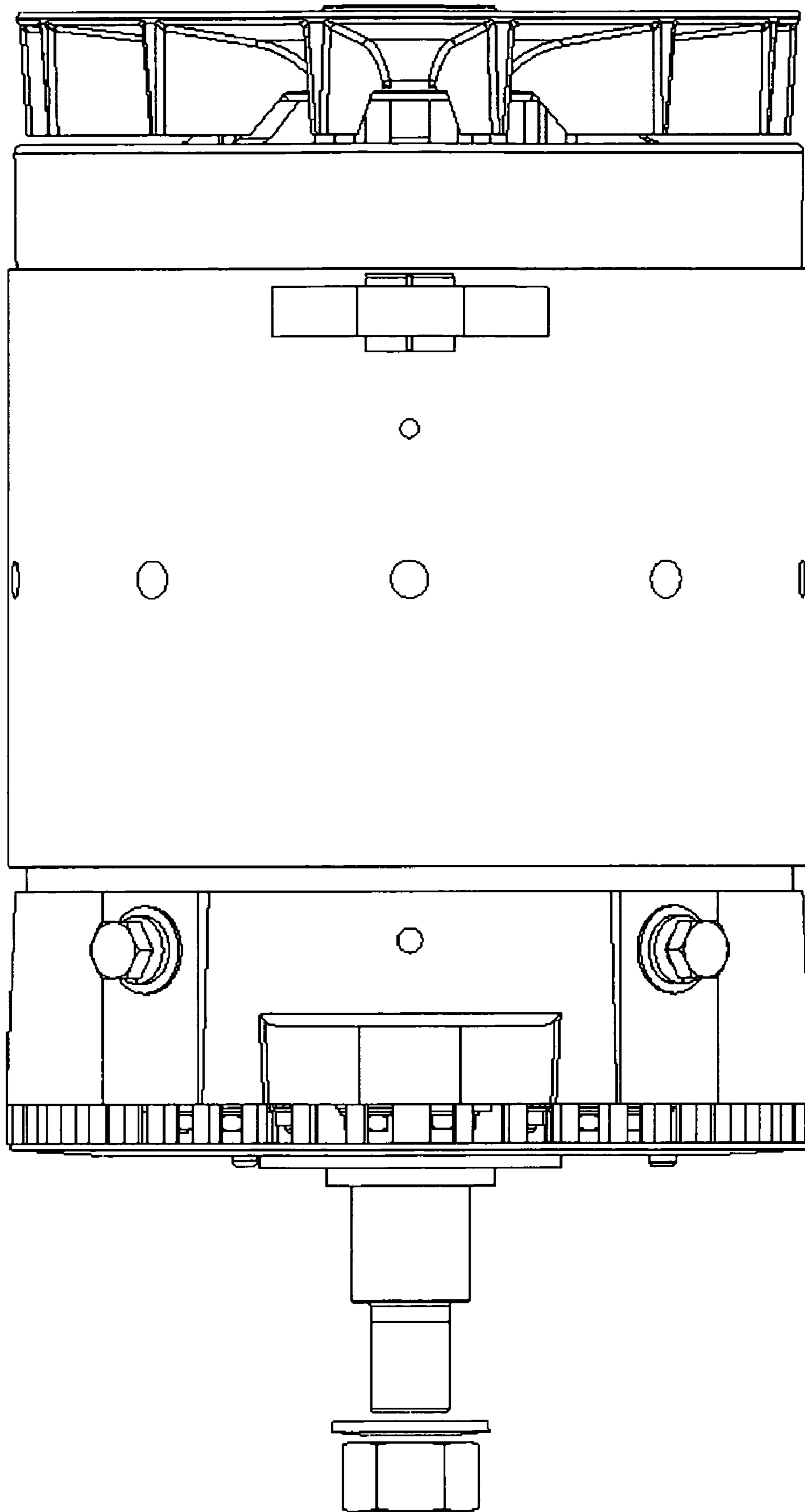


FIG. 6

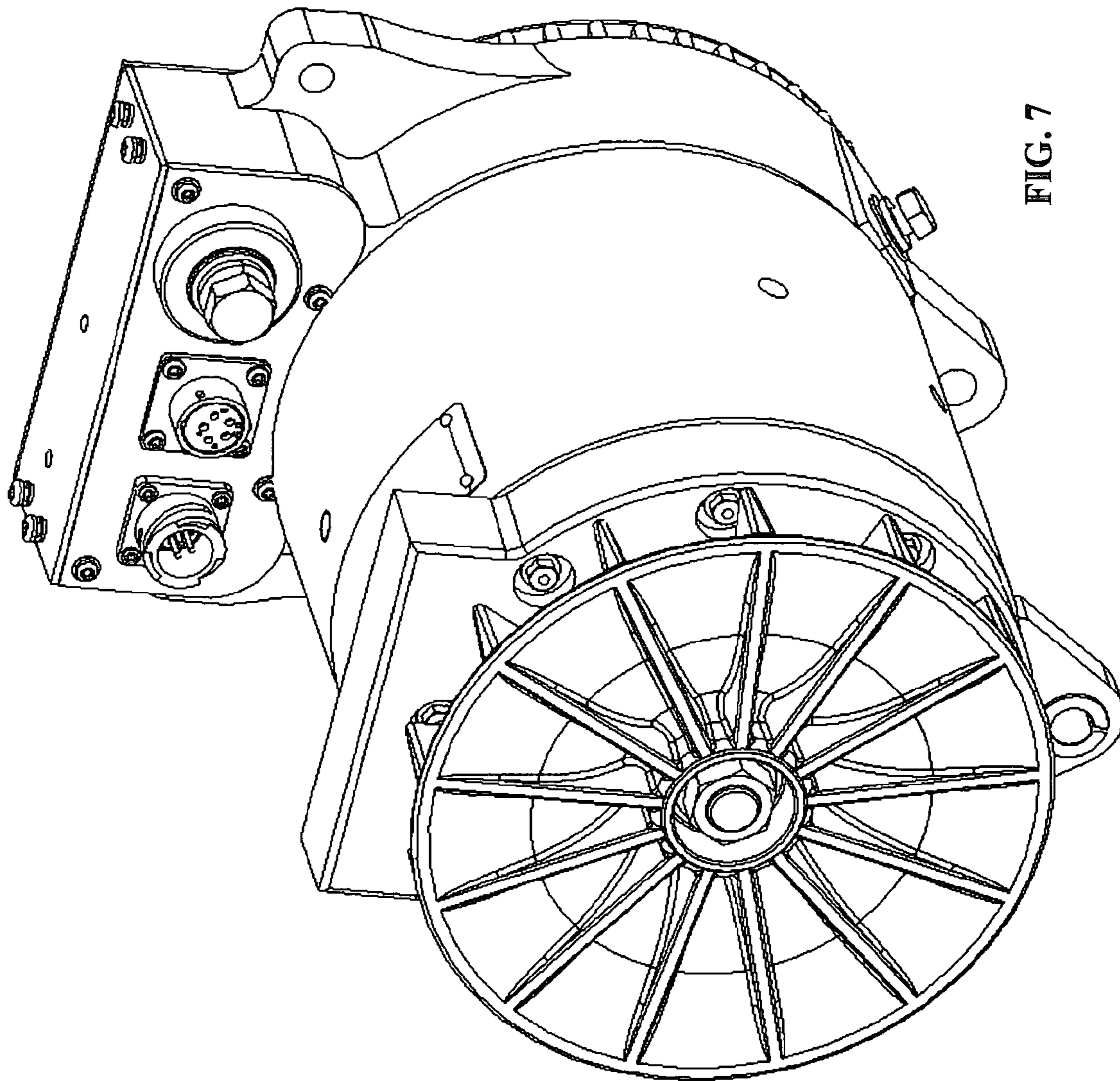


FIG. 7



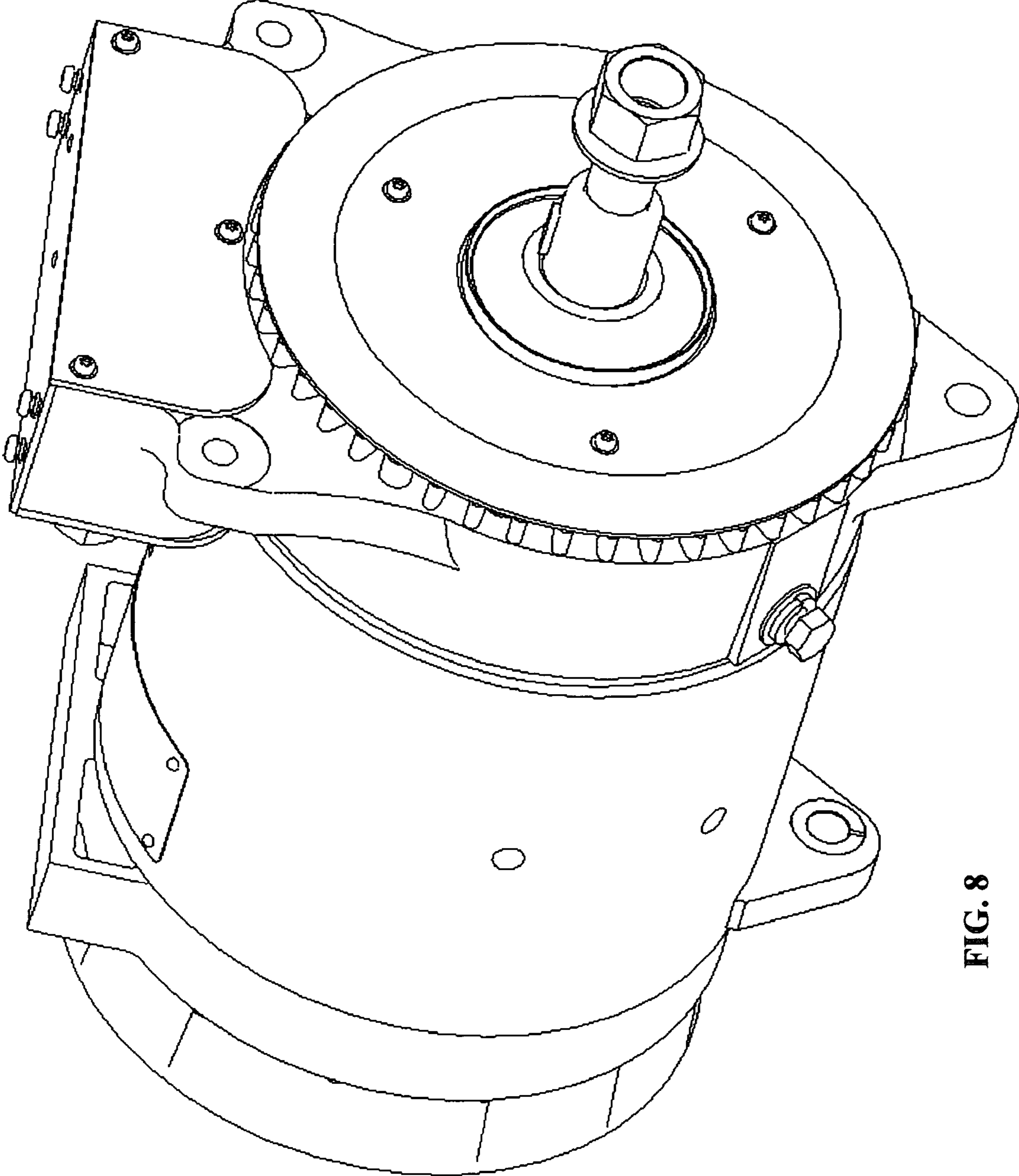


FIG. 8