

US00D587192S

(12) **United States Design Patent**
McGinley et al.

(10) **Patent No.:** **US D587,192 S**

(45) **Date of Patent:** **** Feb. 24, 2009**

(54) **ELECTRICAL CHARGER**

(75) Inventors: **James W. McGinley**, Barrington, IL
(US); **Donald Rimdzius**, Addison, IL
(US); **Joseph L. Kapushion**, Erie, CO
(US)

(73) Assignee: **Horizon Technologies, Inc.**,
Schaumburg, IL (US)

(**) Term: **14 Years**

(21) Appl. No.: **29/293,500**

(22) Filed: **Nov. 28, 2007**

(51) **LOC (9) Cl.** **13-02**

(52) **U.S. Cl.** **D13/110**

(58) **Field of Classification Search** D13/110,
D13/107, 108, 118, 123, 137.1, 138.1, 199;
307/105, 151; 320/111, 114; 363/15, 16,
363/146; 439/105, 166, 171-173, 218, 518,
439/692, 956

See application file for complete search history.

(56) **References Cited**

U.S. PATENT DOCUMENTS

D127,010 S * 5/1941 Judisch D13/137.1
D338,188 S * 8/1993 Lee et al. D13/110
D339,563 S * 9/1993 Usami D13/107
D350,113 S * 8/1994 Nagele D13/110
D381,624 S * 7/1997 Muller et al. D13/110
6,042,400 A * 3/2000 Queffelec et al. 439/131

D425,480 S * 5/2000 Jokinen D13/107
6,086,395 A * 7/2000 Lloyd et al. 439/172
D452,842 S * 1/2002 Kajiwara et al. D13/110
D456,008 S * 4/2002 Kawanobe et al. D13/110
D483,721 S * 12/2003 Kim et al. D13/110
D494,138 S * 8/2004 Adams et al. D13/138.1

* cited by examiner

Primary Examiner—Prabhakar Deshmukh

Assistant Examiner—Derrick Holland

(74) *Attorney, Agent, or Firm*—Seyfarth Shaw LLP

(57) **CLAIM**

The ornamental design for an electrical charger, as shown and described.

DESCRIPTION

This application is related to application Ser. No. 29/293,501 for Electrical Charger filed Nov. 28, 2007.

FIG. 1 is a perspective view of the front end of an electrical charger showing our new design;

FIG. 2 is perspective view of the back end thereof;

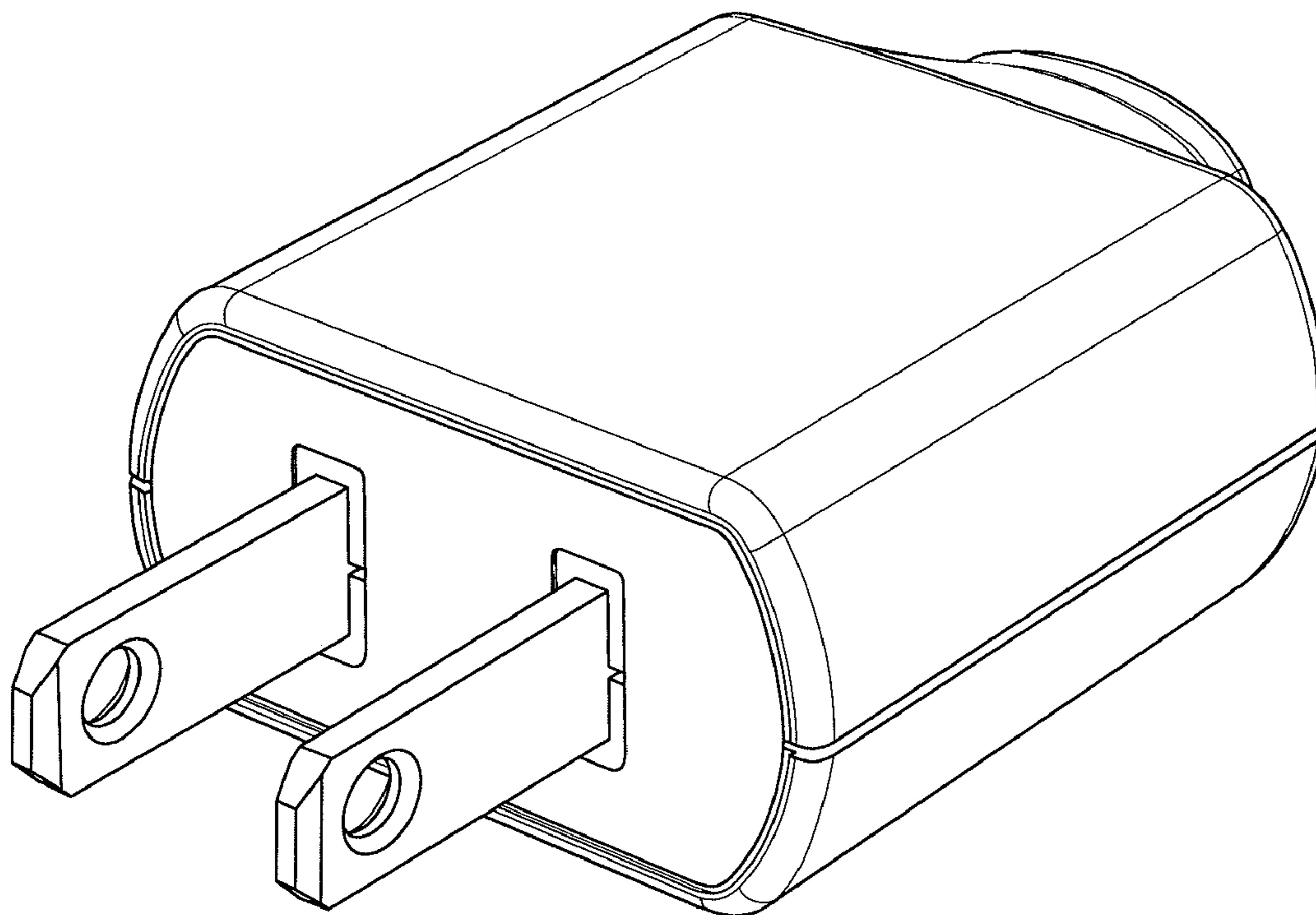
FIG. 3 is a right side view thereof, the left side being a mirror image;

FIG. 4 is a top plan view thereof, the bottom being a mirror image;

FIG. 5 is an end view of the back end thereof; and,

FIG. 6 is an end view of the front end thereof.

1 Claim, 6 Drawing Sheets



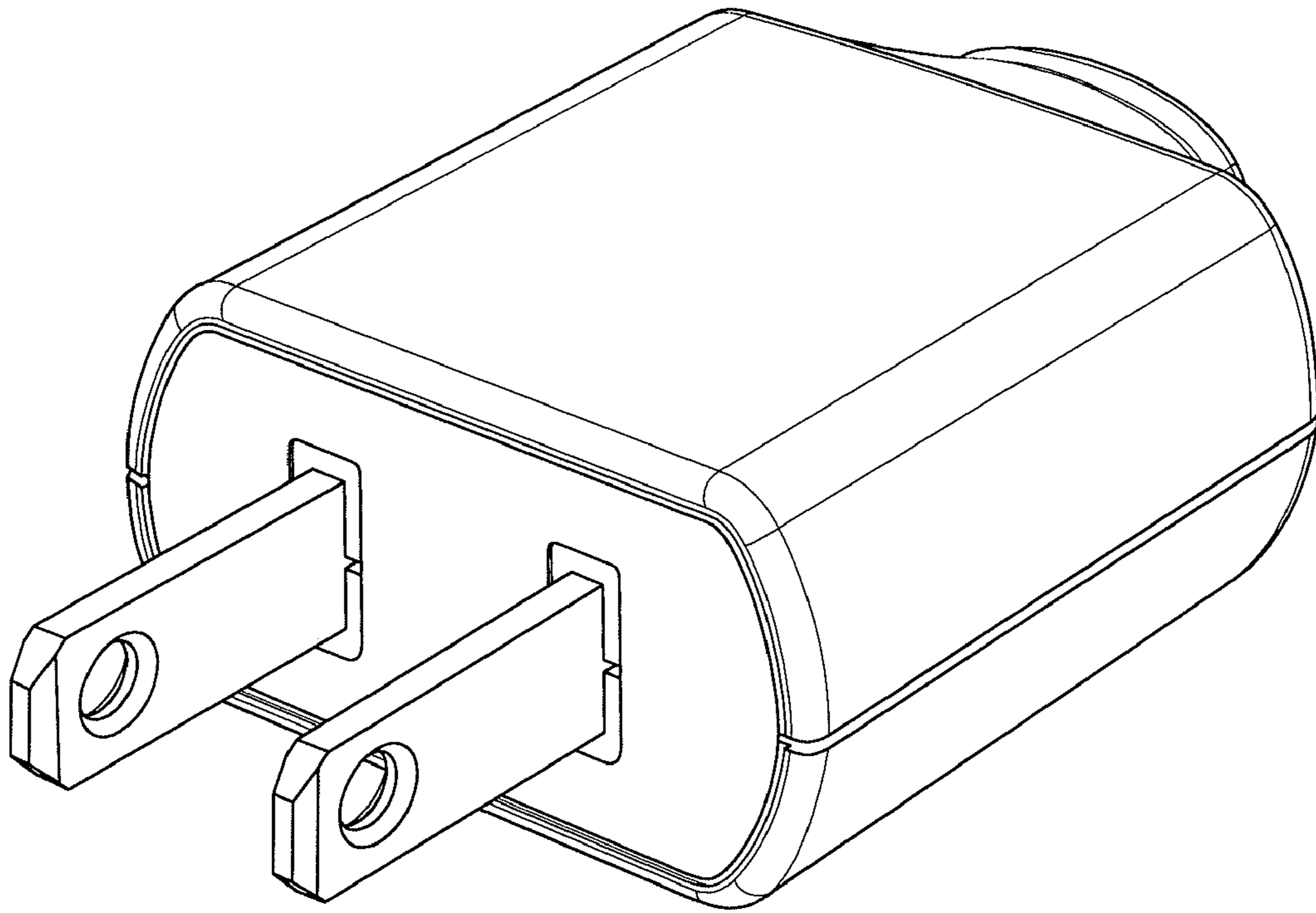


FIGURE 1

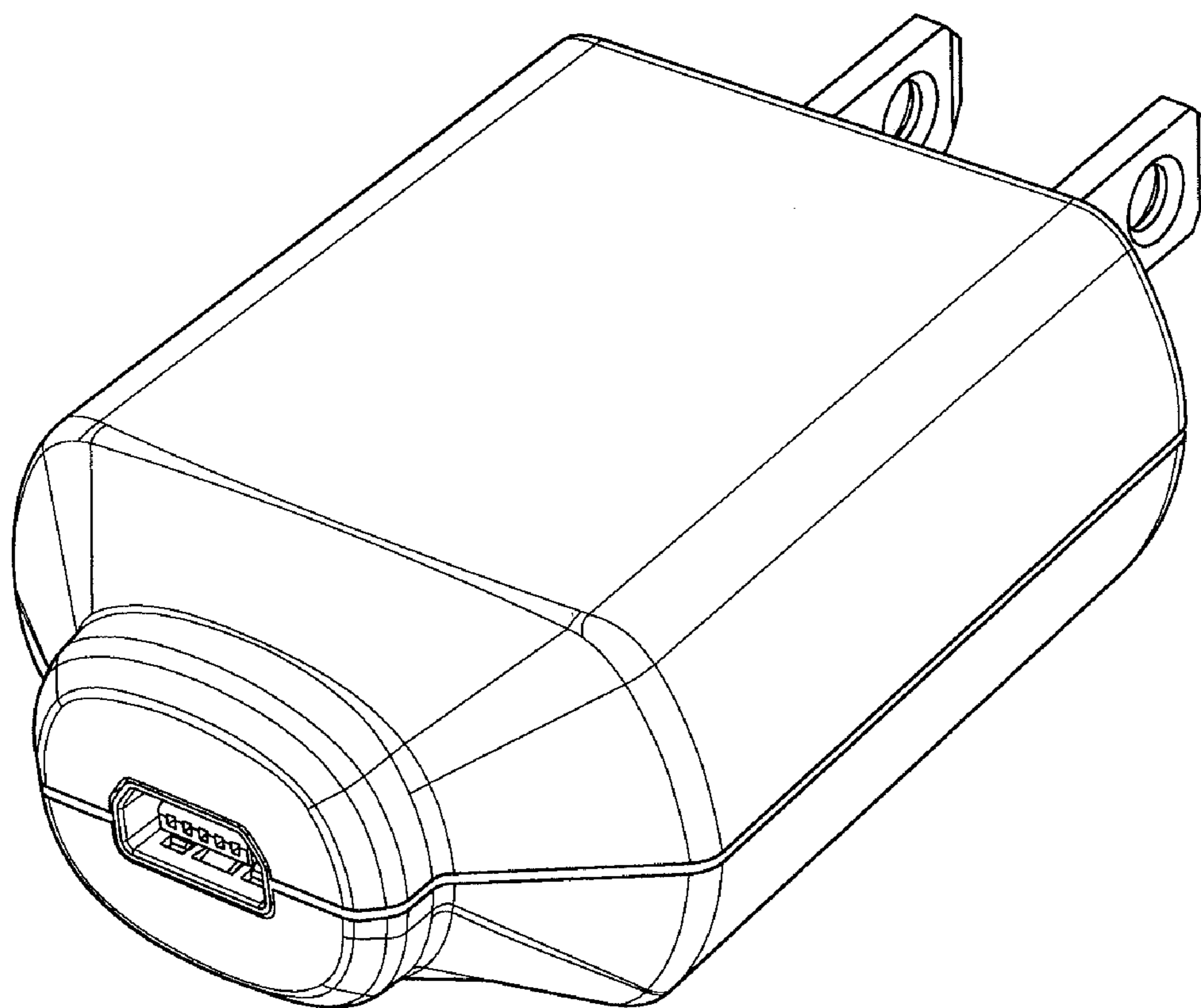


FIGURE 2

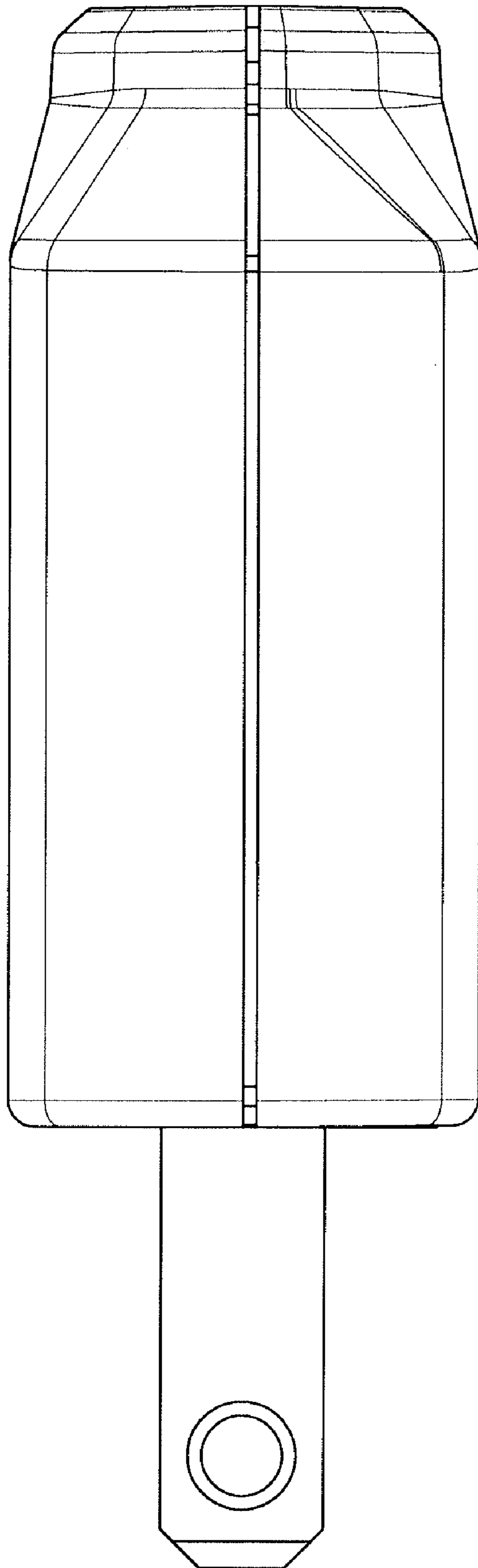


FIGURE 3

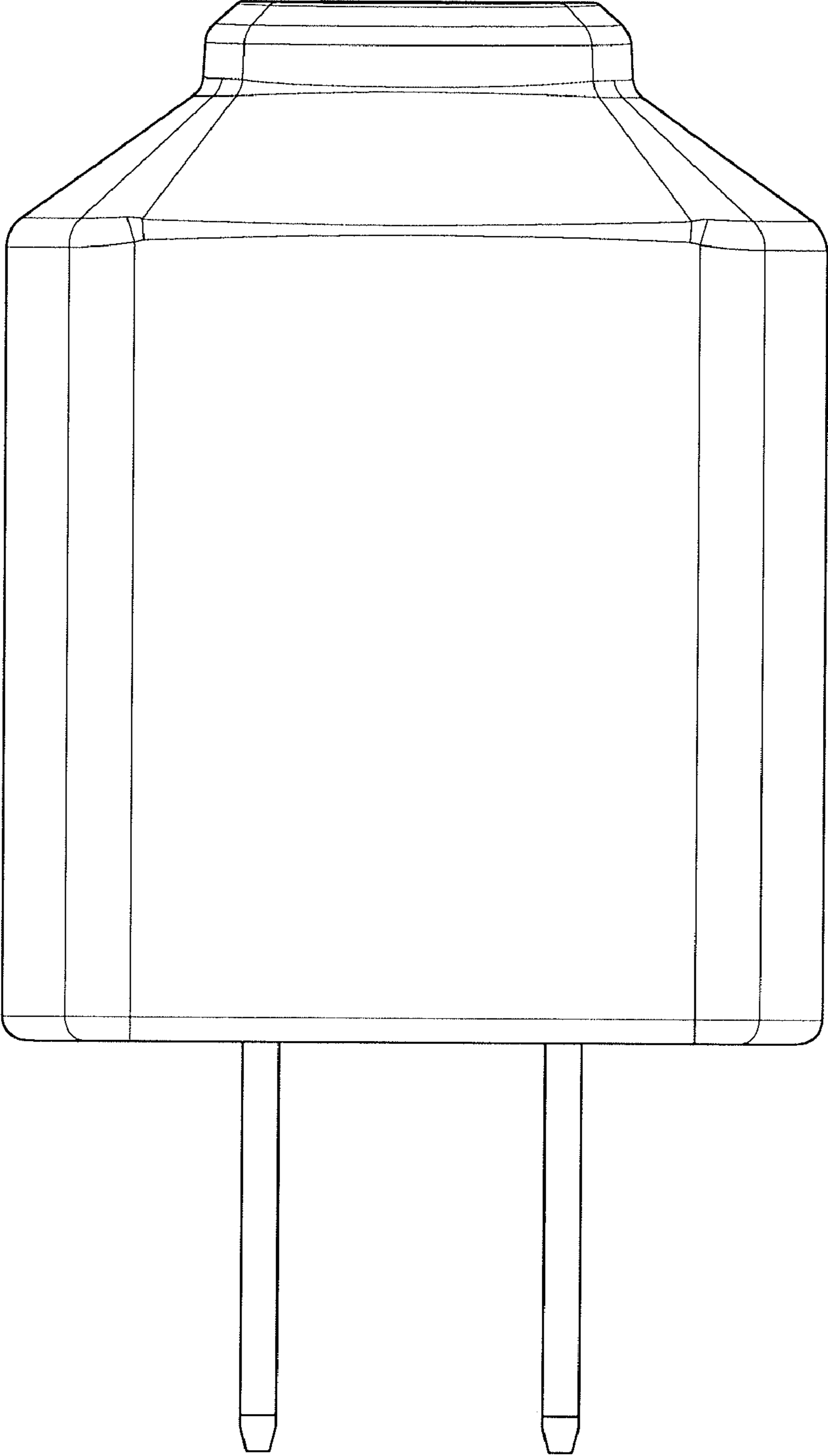


FIGURE 4

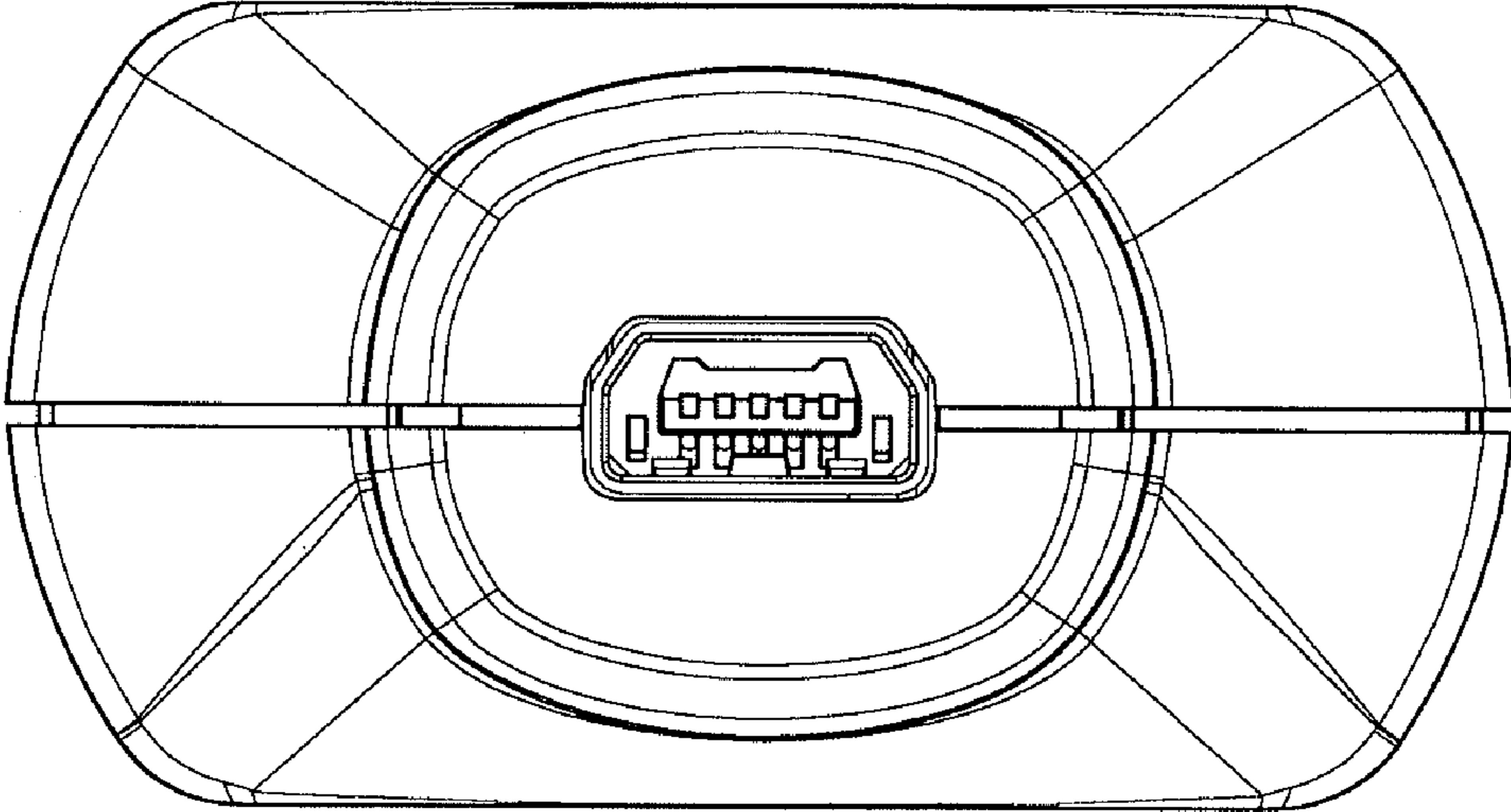


FIGURE 5

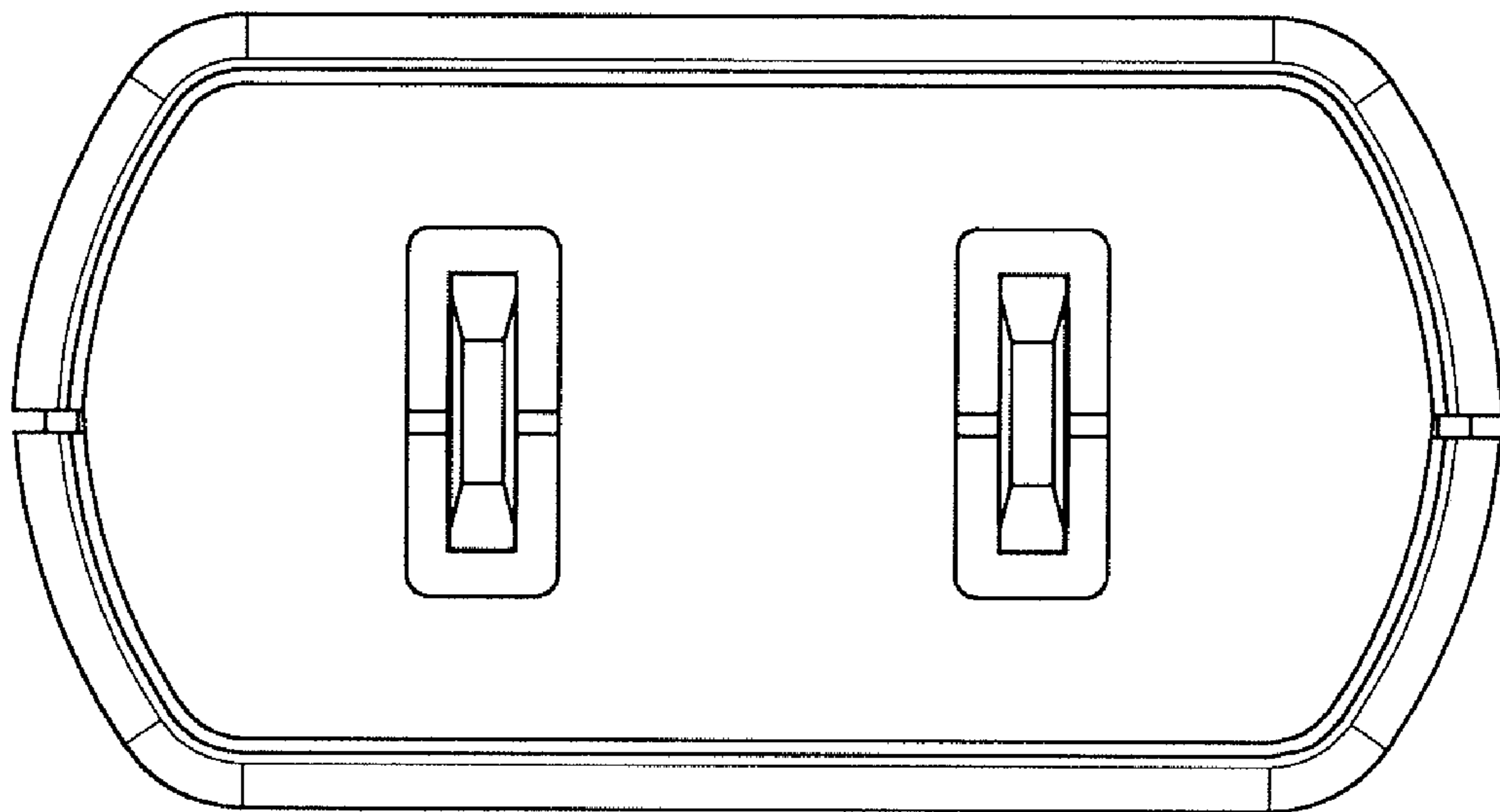


FIGURE 6