



US00D587188S

(12) **United States Design Patent**  
**Mo**

(10) **Patent No.:** **US D587,188 S**

(45) **Date of Patent:** **\*\* Feb. 24, 2009**

(54) **MOUNTING PEDESTAL**

(75) Inventor: **Ka-wing Mo**, Temple City, CA (US)

(73) Assignee: **Arkon Resources, Inc.**, Arcadia, CA (US)

(\*\*) Term: **14 Years**

(21) Appl. No.: **29/284,668**

(22) Filed: **Sep. 12, 2007**

**Related U.S. Application Data**

(63) Continuation of application No. 29/285,712, filed on Apr. 5, 2007, now abandoned.

(51) **LOC (9) Cl.** ..... **12-16**

(52) **U.S. Cl.** ..... **D12/415; D8/373; D14/447**

(58) **Field of Classification Search** ..... D12/400, D12/415; D14/447, 434, 251, 253; D8/71, D8/373, 350, 355; D6/512; 296/37.5, 37.12; 224/273, 929, 545-546; 379/454-455; 248/284.1, 248/346, 548, 483, 185, 917, 278, 923  
See application file for complete search history.

(56) **References Cited**

**U.S. PATENT DOCUMENTS**

D231,195 S	4/1974	Reynolds	
D248,636 S	7/1978	Stanley	
D269,945 S *	8/1983	Carney	..... D8/355
D332,789 S	1/1993	Rak	
D337,333 S *	7/1993	Turk	..... D14/251
D388,762 S	1/1998	Nagy	
D398,796 S	9/1998	Fauchald et al.	
D419,415 S	1/2000	Richter	
6,113,047 A	9/2000	Wung et al.	
D487,270 S	3/2004	Richter	

D530,333 S	10/2006	Richter	
D533,054 S	12/2006	Brassard	
D533,055 S	12/2006	Brassard	
D533,174 S	12/2006	Richter	
D554,136 S *	10/2007	Richter	..... D14/447
D566,530 S *	4/2008	Brassard	..... D8/363
D567,810 S *	4/2008	Yeh	..... D14/253
D576,631 S *	9/2008	Richter	..... D14/447
2007/0012825 A1 *	1/2007	Yeh	..... 248/122.1

**OTHER PUBLICATIONS**

Catalogue entitled "Arkon—The Mobile Mounting Specialists™ OEM Solutions Guide—Mounting Pedestals, Cradles, and Brackets," 8 pages (front to back). Copyright 2005 Arkon Resources, Inc.

\* cited by examiner

*Primary Examiner*—Elizabeth A Albert

*Assistant Examiner*—Kelley A Donnelly

(74) *Attorney, Agent, or Firm*—Christie, Parker & Hale, LLP.

(57) **CLAIM**

The ornamental design for a mounting pedestal, as shown and described.

**DESCRIPTION**

FIG. 1 is a front perspective view showing my new design;

FIG. 2 is a left side view;

FIG. 3 is a bottom side view;

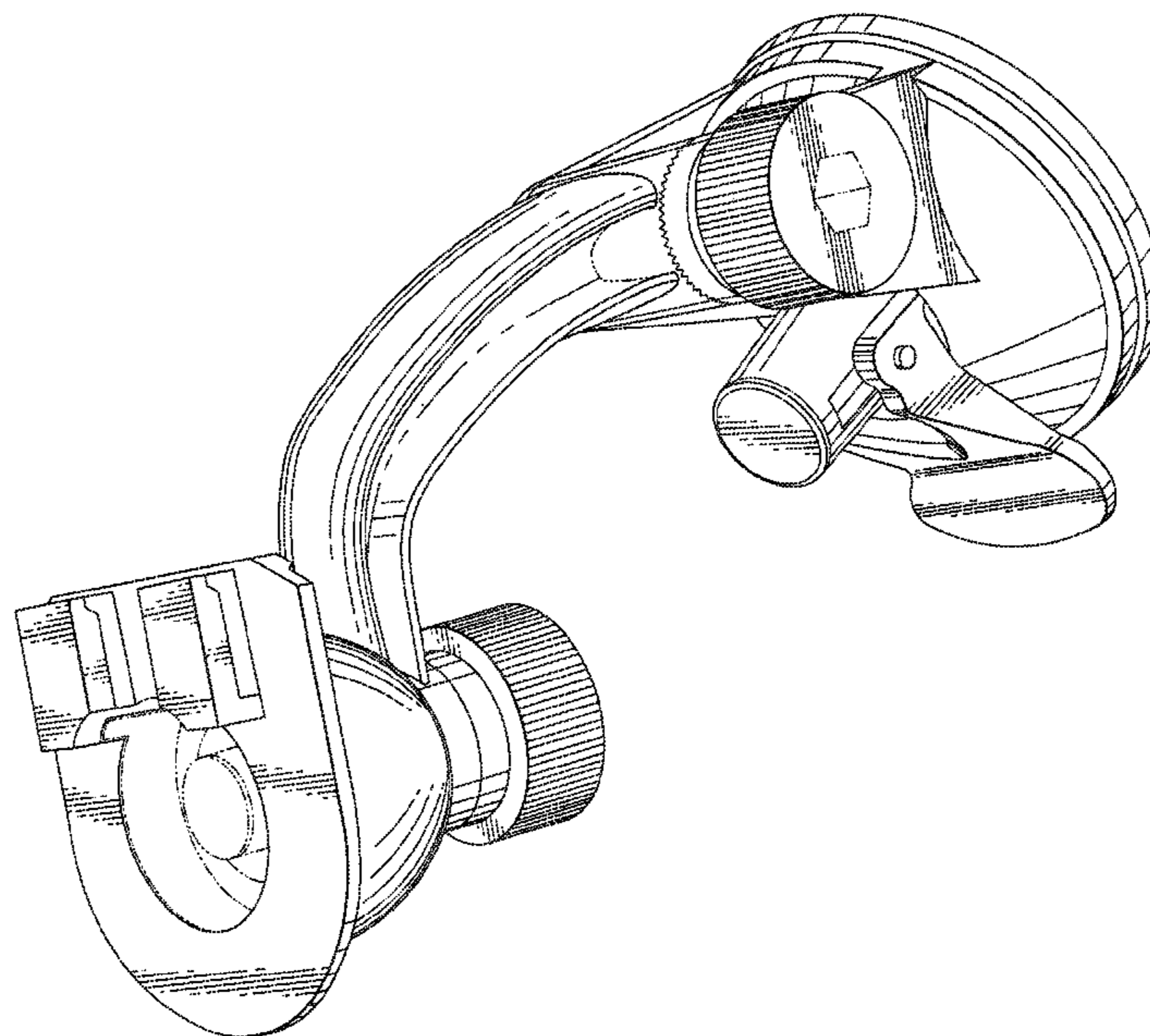
FIG. 4 is a right side view;

FIG. 4 is a top side view; and,

FIG. 6 is a front side view of my new design.

The broken lines showing unclaimed parts of the pedestal are for environmental purposes only and form no part of the claimed design.

**1 Claim, 6 Drawing Sheets**



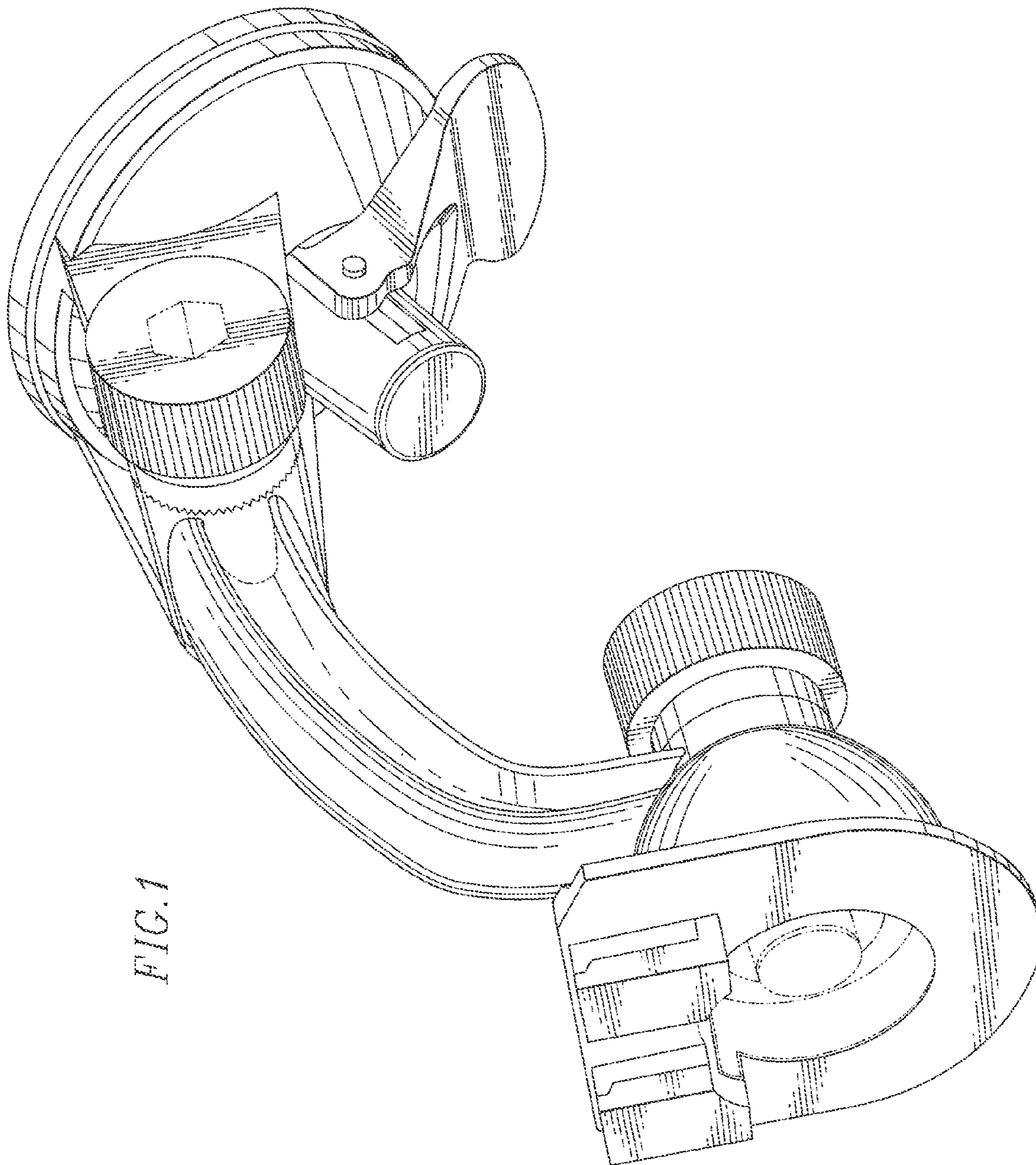


FIG. 1

FIG. 2

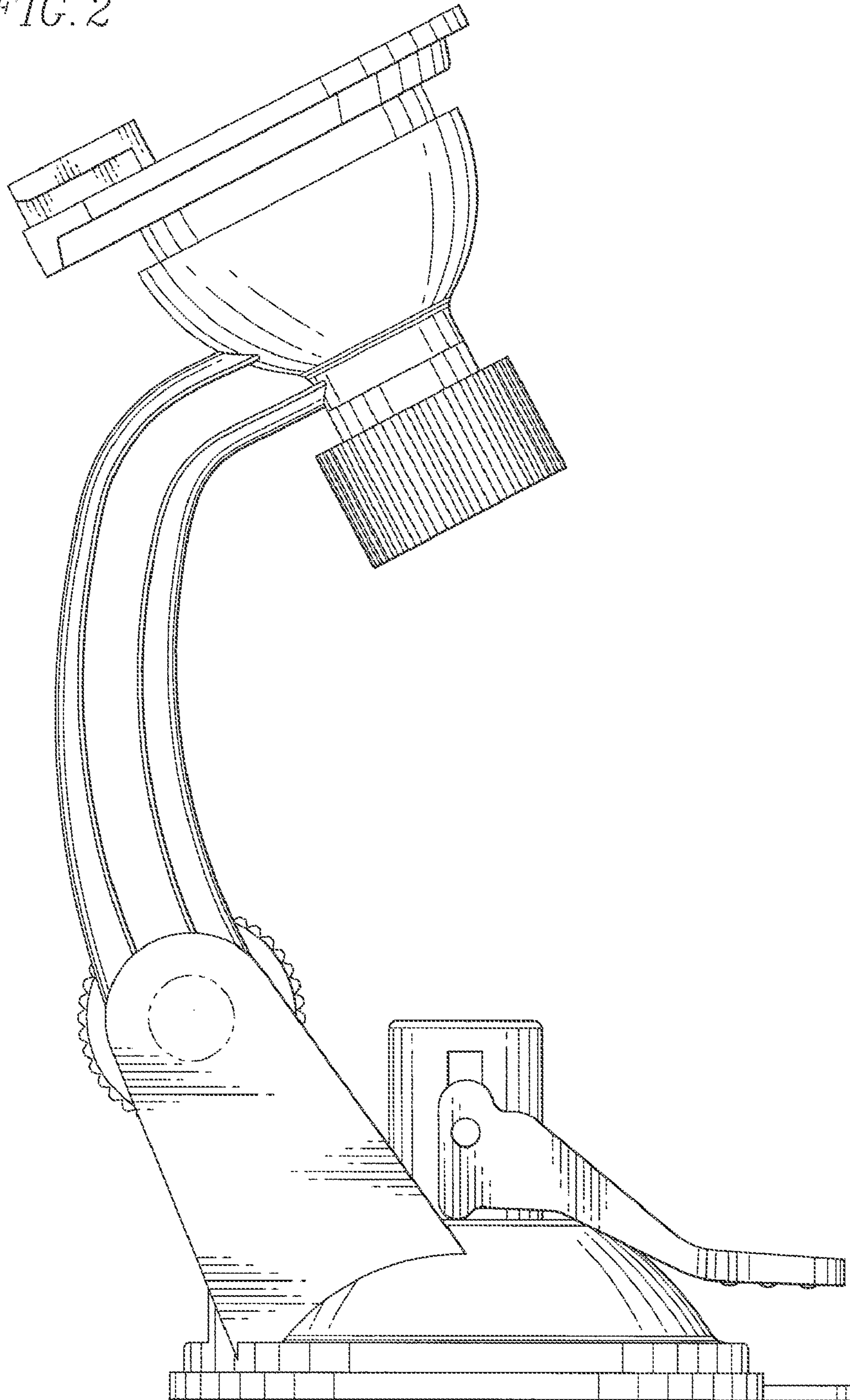
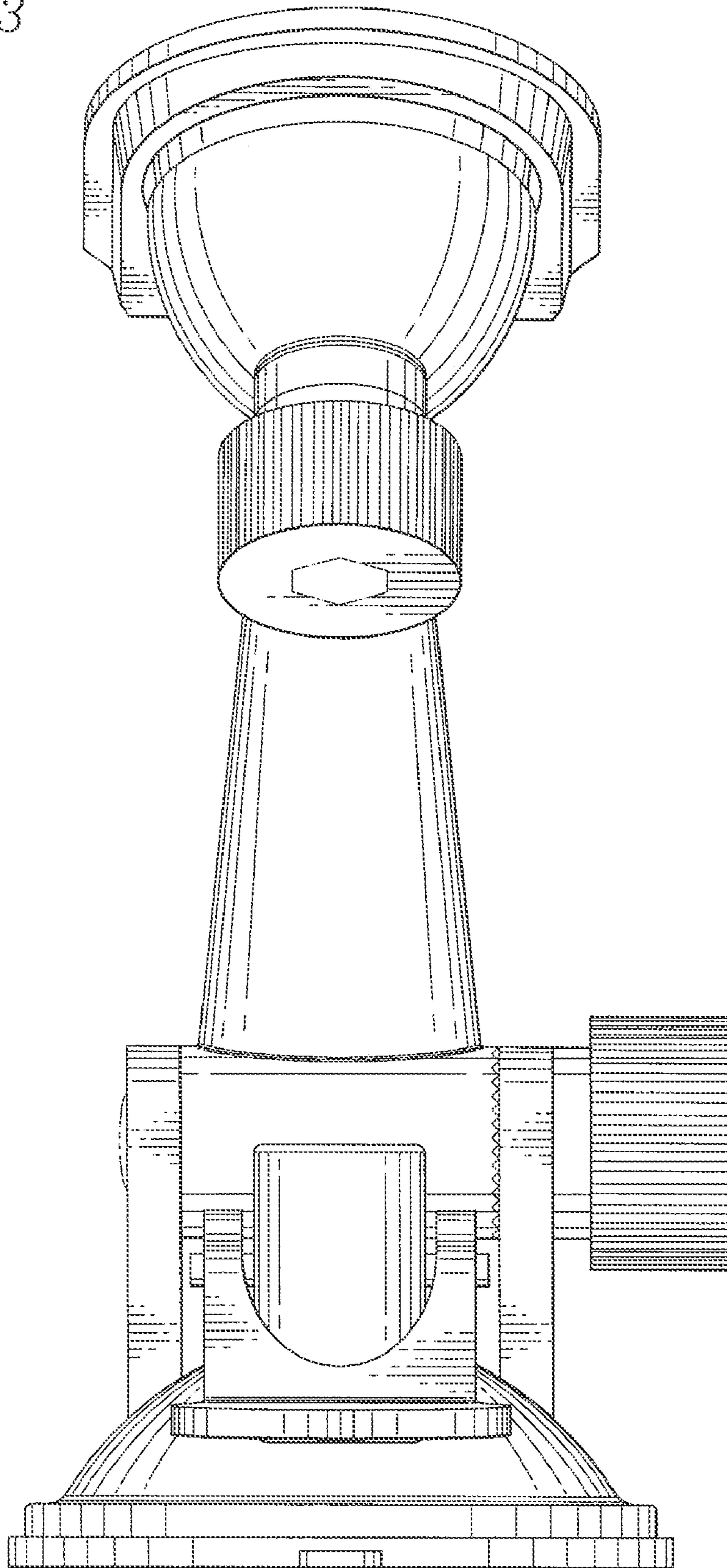


FIG. 3



*FIG. 4*

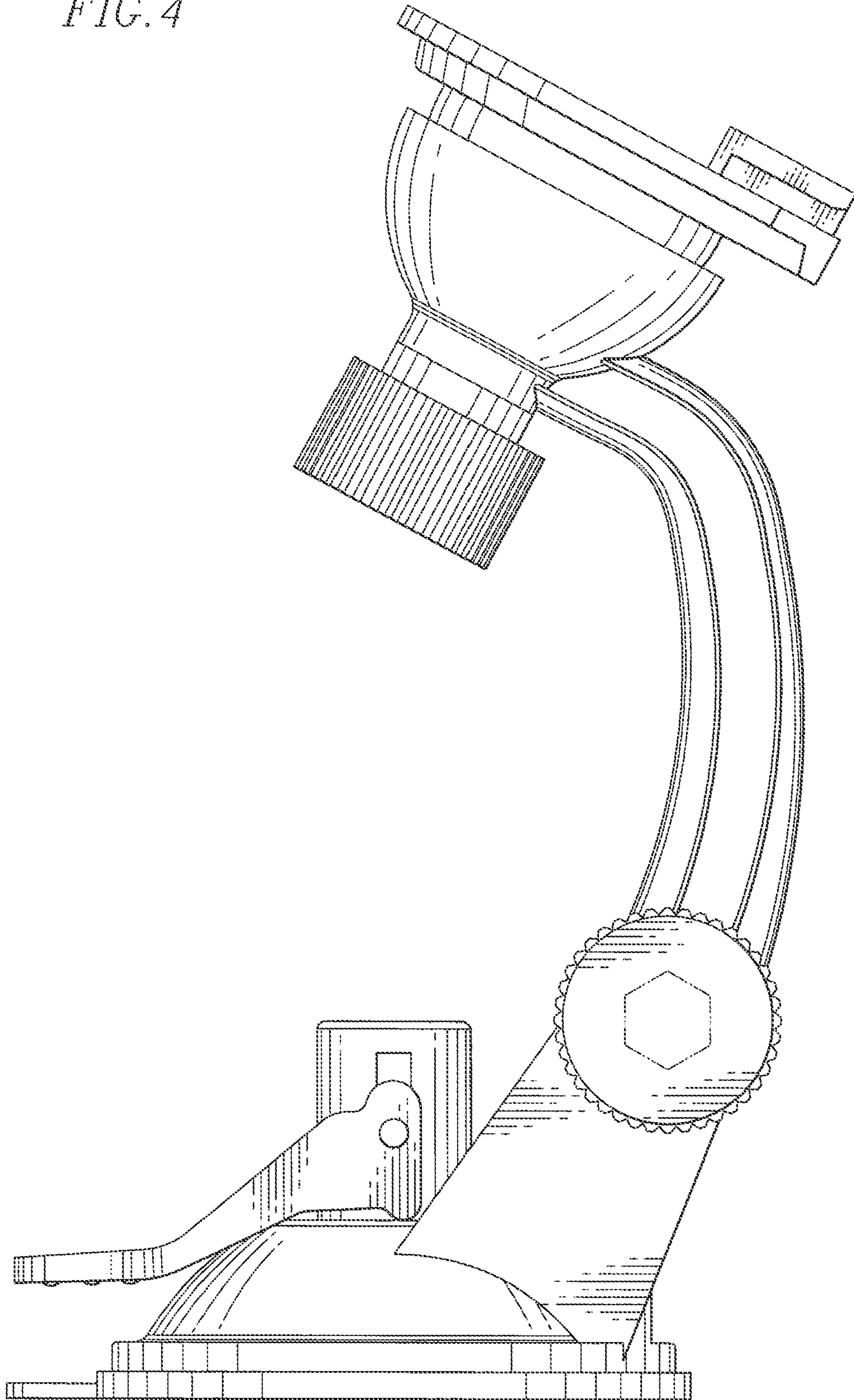


FIG. 5

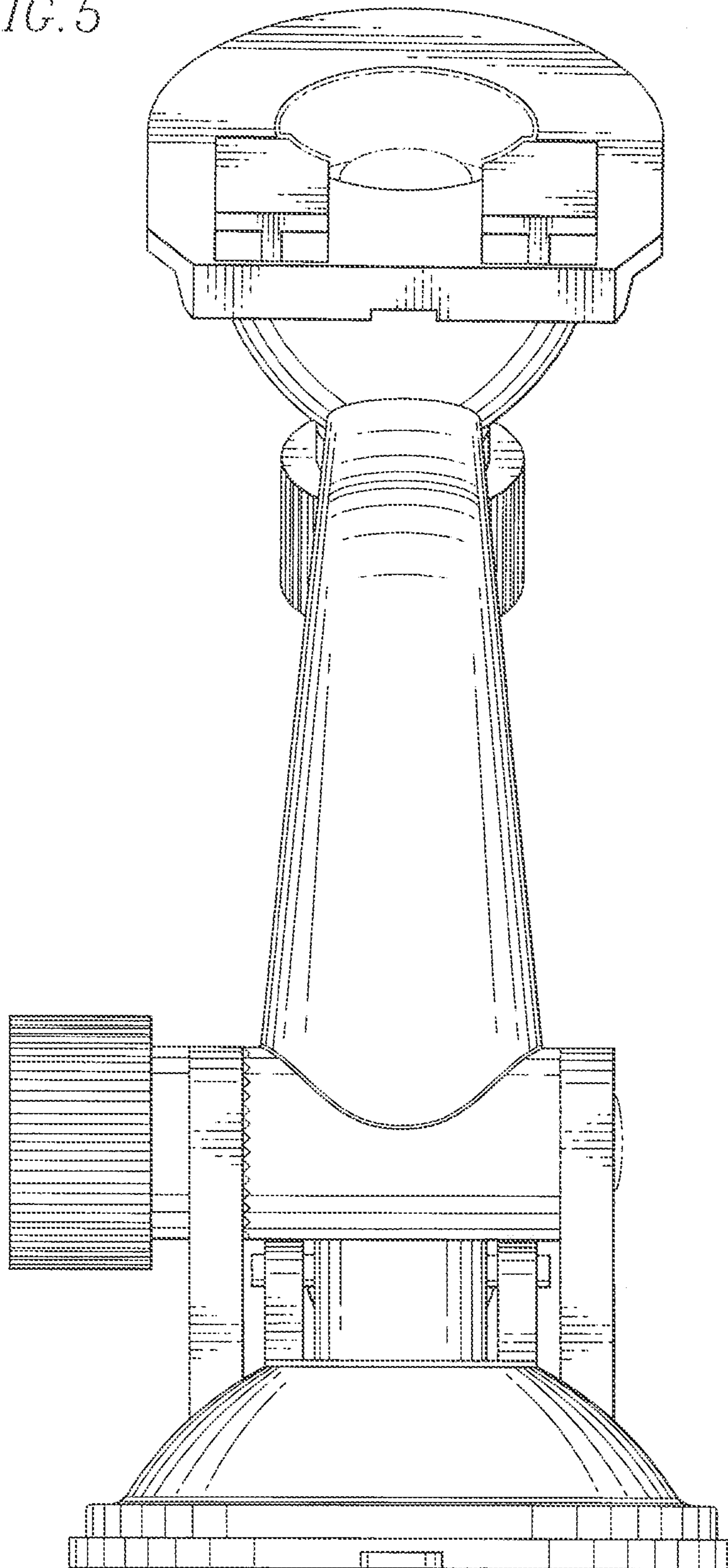


FIG. 6

