



US00D587187S

(12) **United States Design Patent**
Moran

(10) **Patent No.:** **US D587,187 S**

(45) **Date of Patent:** **** Feb. 24, 2009**

(54) **VELOCITY STACK**

(76) Inventor: **Michael A. Moran**, 5955 Matthews St.,
Goleta, CA (US) 93117

(**) Term: **14 Years**

(21) Appl. No.: **29/302,568**

(22) Filed: **Jan. 18, 2008**

Related U.S. Application Data

(62) Division of application No. 29/249,348, filed on Oct.
3, 2006, now Pat. No. Des. 573,527.

(51) **LOC (9) Cl.** **12-16**

(52) **U.S. Cl.** **D12/400**

(58) **Field of Classification Search** D12/194,
D12/114, 400; D15/5, 6; D23/355, 364,
D23/365; 181/227, 228, 230; 123/198 E,
123/41.22; 220/88.1; 431/346; 48/192;
55/356, 385.3, 467, 471, 472

See application file for complete search history.

(56) **References Cited**

U.S. PATENT DOCUMENTS

4,066,720 A 1/1978 Carter

5,868,808 A 2/1999 Henderson
D456,505 S 4/2002 Wolf et al.
D490,346 S 5/2004 Young
6,780,214 B2 8/2004 Leibold
6,790,251 B1 9/2004 Brady, Jr.
6,824,583 B2 11/2004 Bulger
D521,137 S * 5/2006 Khalil D23/365

* cited by examiner

Primary Examiner—Cathron Brooks
Assistant Examiner—Michael A Pratt
(74) *Attorney, Agent, or Firm*—Starkweather & Associates;
Michael W. Starkweather; Jason P. Webb

(57) **CLAIM**

The ornamental design for a velocity stack, as shown and described.

DESCRIPTION

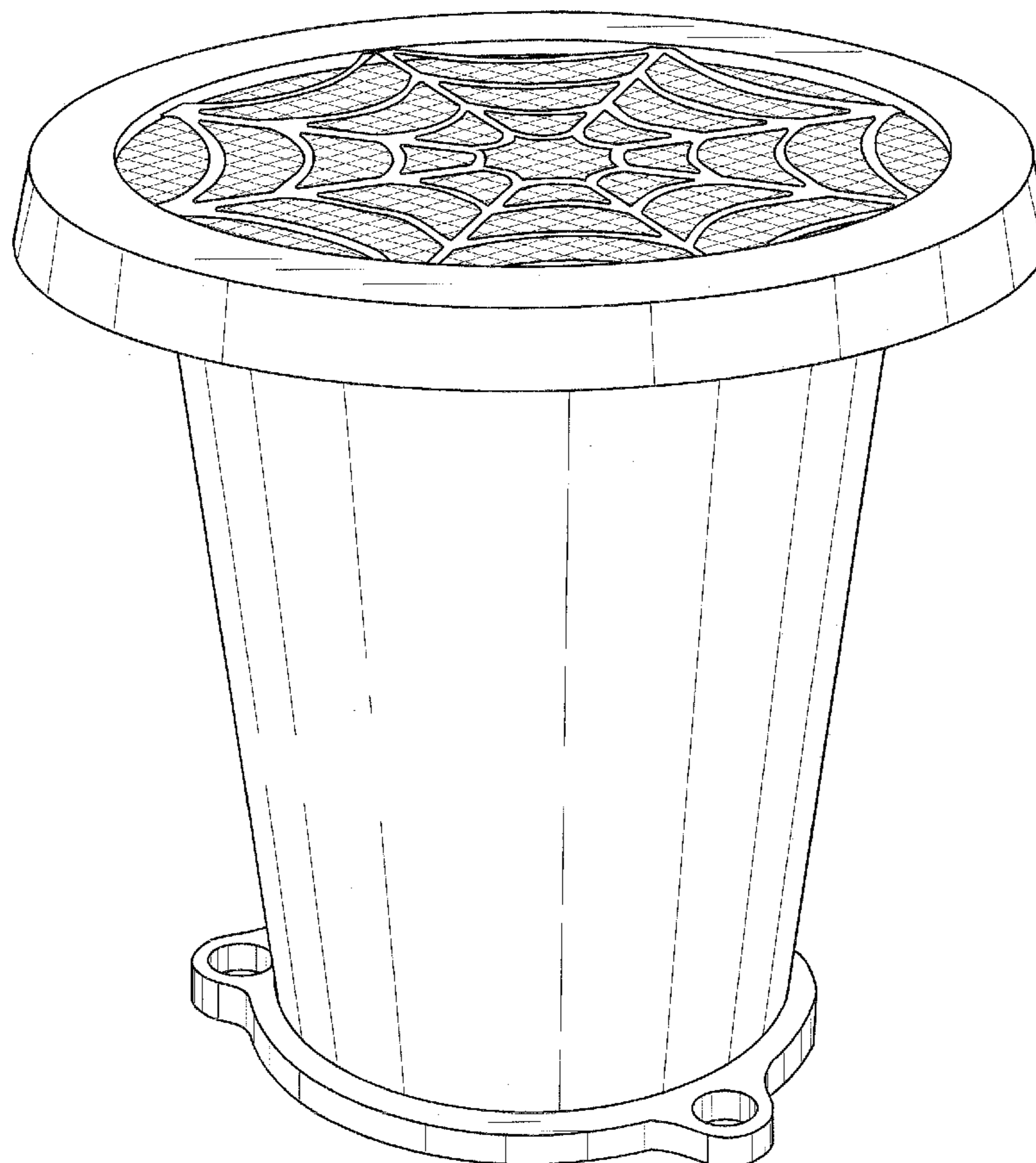
FIG. 1 is a top plan view of a velocity stack showing my new design;

FIG. 2 is a bottom plan view thereof;

FIG. 3 is a right side elevational view thereof, the left side being a mirror image; and,

FIG. 4 is a perspective view thereof.

1 Claim, 3 Drawing Sheets



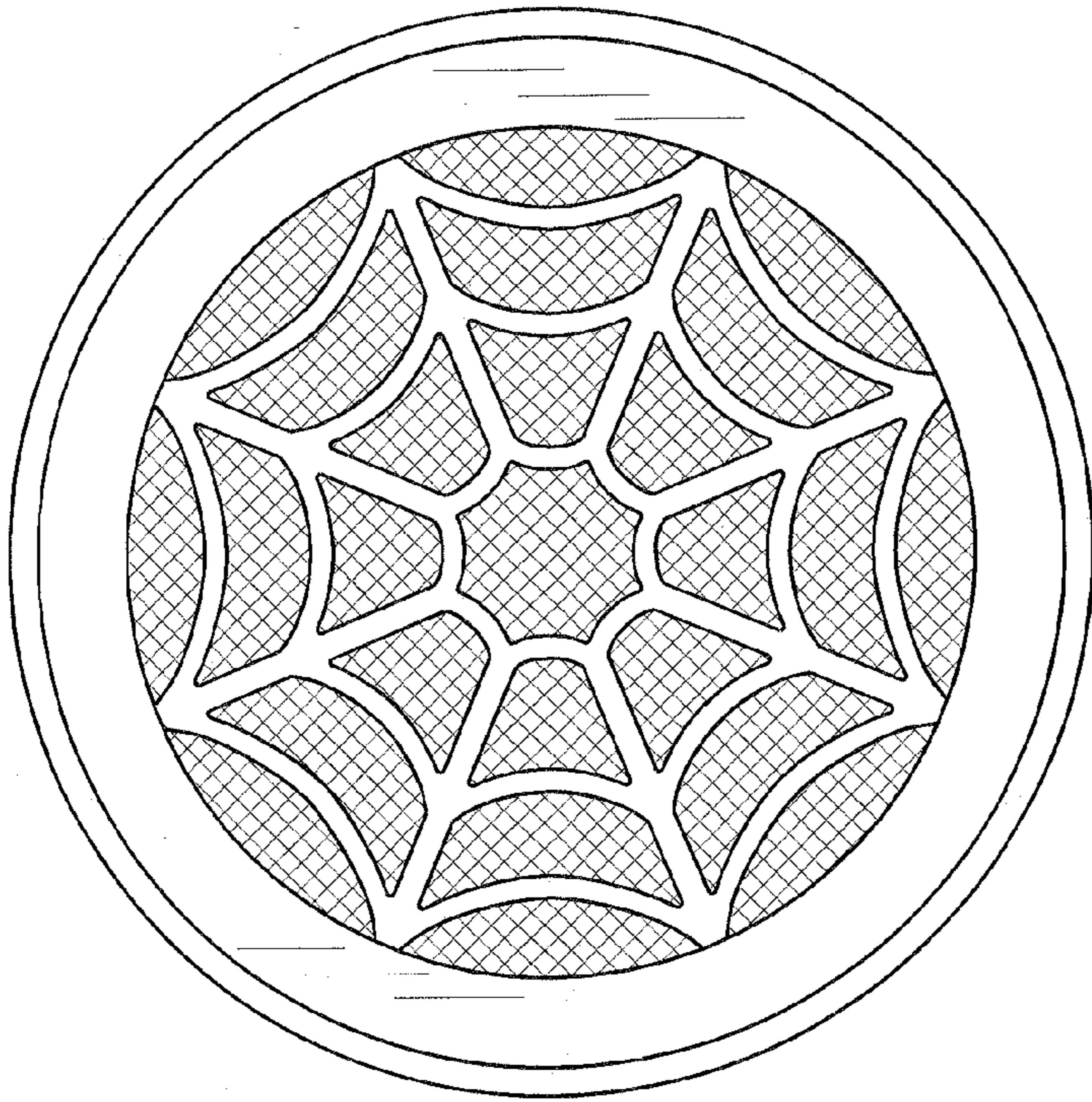


Fig. 1

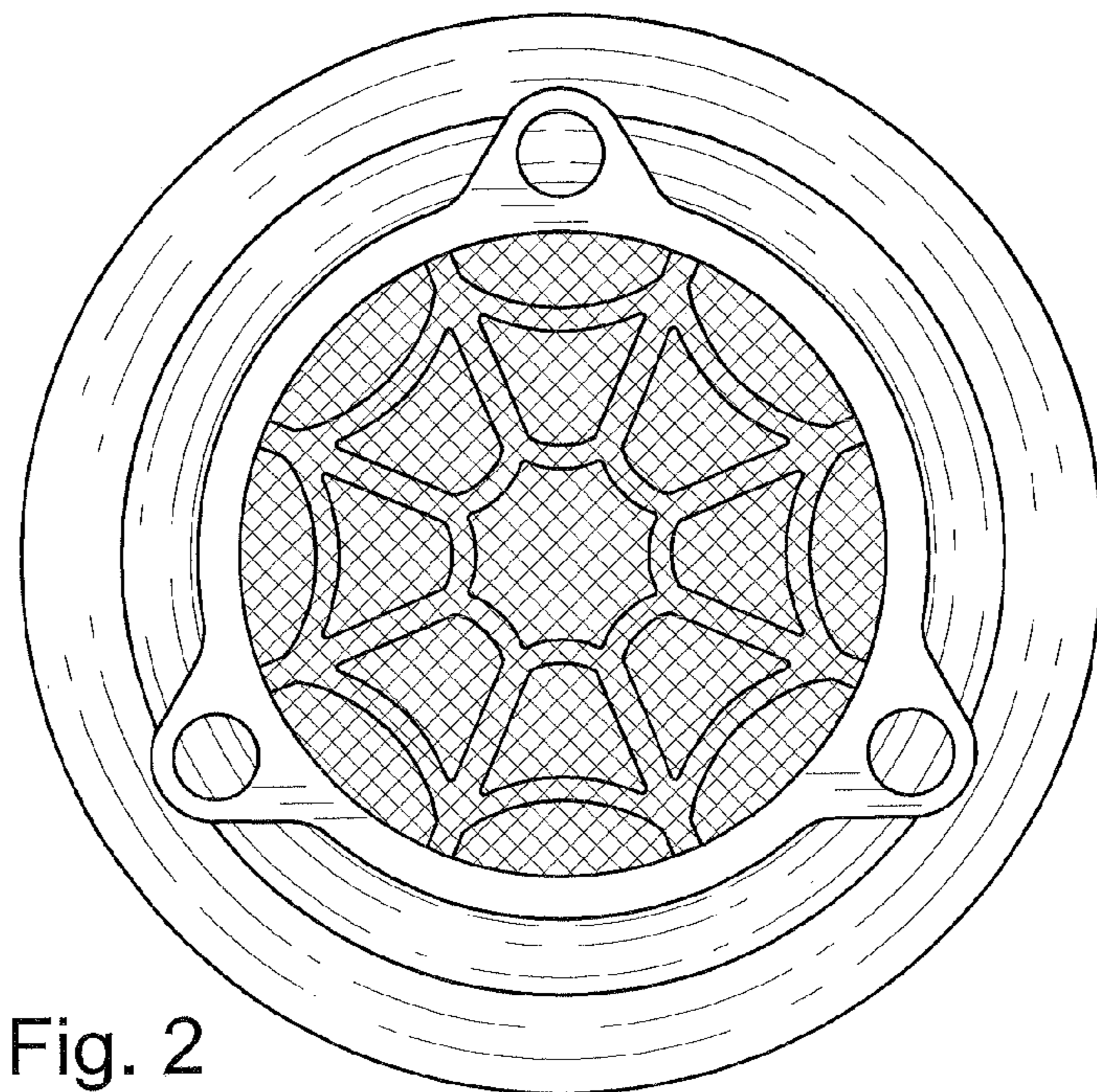


Fig. 2

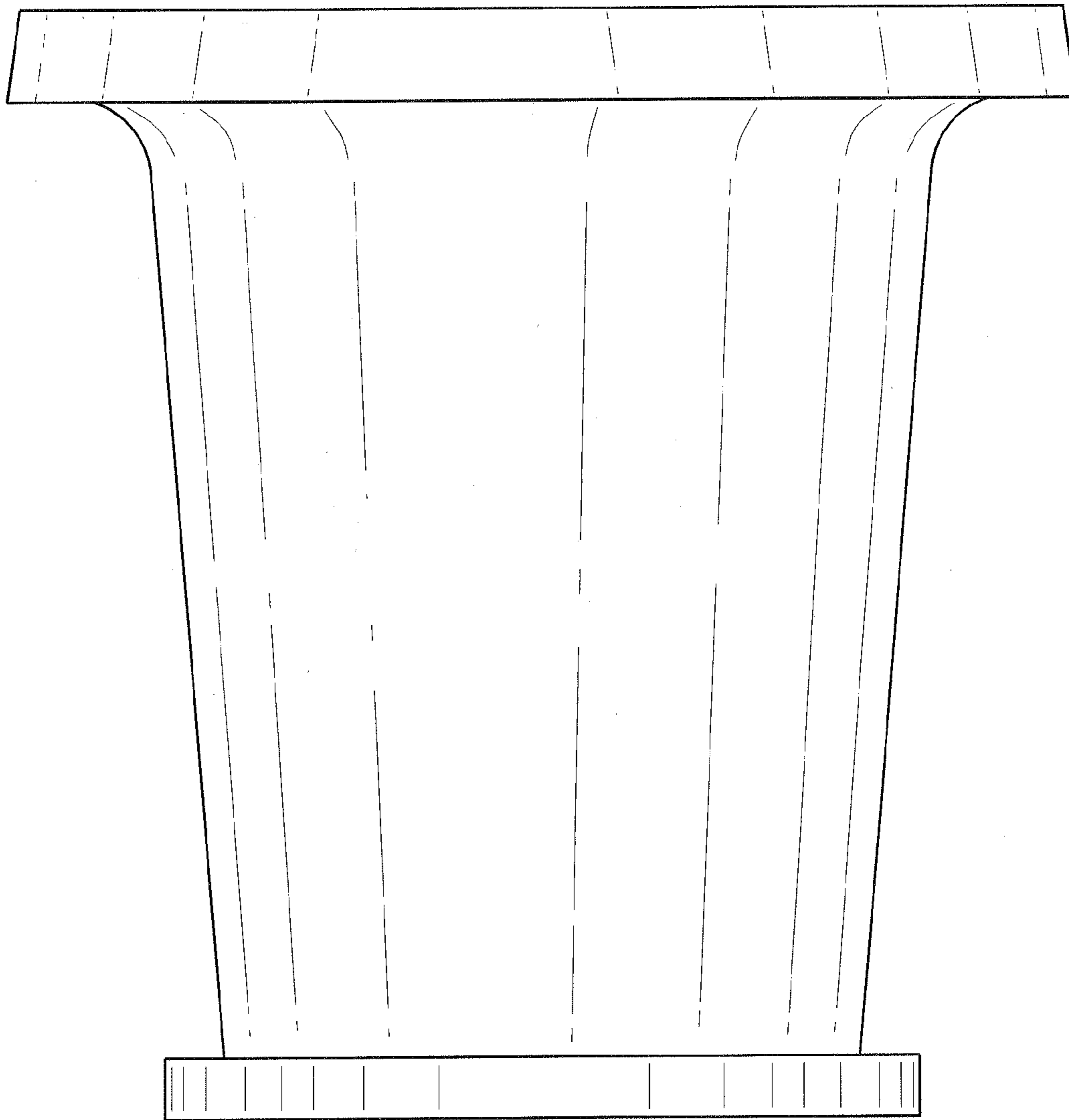


Fig. 3

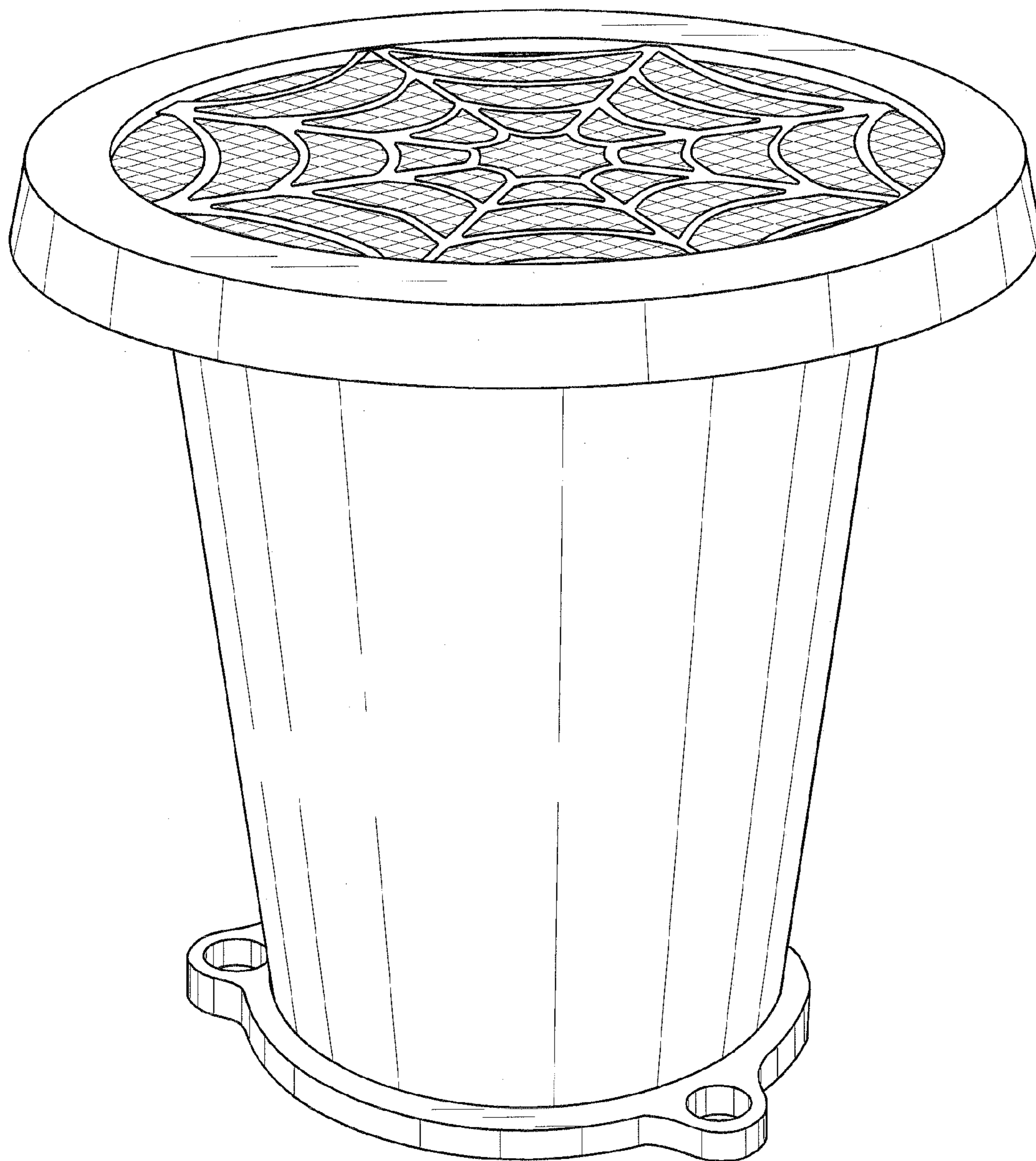


Fig. 4