



US00D587186S

(12) **United States Design Patent**  
**Herinckx et al.**

(10) **Patent No.:** **US D587,186 S**  
(45) **Date of Patent:** **\*\* Feb. 24, 2009**

(54) **CONNECTOR FOR WINDSHIELD WIPER**

(75) Inventors: **Dirk Herinckx**, Linter (BE); **Yves Janssis**, Sint-Truiden (BE); **Erik Deloof**, Bertem (BE)

(73) Assignee: **Robert Bosch GmbH**, Stuttgart (DE)

(\*\*) Term: **14 Years**

(21) Appl. No.: **29/322,369**

(22) Filed: **Aug. 4, 2008**

(30) **Foreign Application Priority Data**

Feb. 4, 2008 (EM) ..... 000872478

(51) **LOC (9) Cl.** ..... **12-06**

(52) **U.S. Cl.** ..... **D12/220**

(58) **Field of Classification Search** ..... D12/219-220;  
15/246, 247, 250.001, 250.04, 250.361, 250.19,  
15/250.48, 250.03, 250.31-250.33, 250.351,  
15/250.38, 250.201, 250.451, 250.458, 250.07,  
15/250.44

See application file for complete search history.

(56) **References Cited**

**U.S. PATENT DOCUMENTS**

D540,243 S \* 4/2007 Herring et al. .... D12/220  
7,287,296 B2 \* 10/2007 Vacher ..... 15/250.32  
D556,117 S \* 11/2007 Kim ..... D12/219  
D564,955 S \* 3/2008 Claes ..... D12/220  
D569,327 S \* 5/2008 Lin ..... D12/220

7,395,577 B2 \* 7/2008 Chiang ..... 15/250.32  
7,434,291 B2 \* 10/2008 Chiang ..... 15/250.32  
2006/0010636 A1 \* 1/2006 Vacher ..... 15/250.32  
2007/0226940 A1 \* 10/2007 Thienard ..... 15/250.32  
2008/0263809 A1 \* 10/2008 Bousset ..... 15/250.32

\* cited by examiner

*Primary Examiner*—Caron Veynar

*Assistant Examiner*—Katrina A Kile

(74) *Attorney, Agent, or Firm*—Victor A. Henzi

(57) **CLAIM**

The ornamental design for a connector for windshield wiper, as shown and described.

**DESCRIPTION**

FIG. 1 is a right front perspective view of the connector for windshield wiper;

FIG. 2 is an enlarged right front perspective view thereof;

FIG. 3 is an enlarged right rear perspective view thereof;

FIG. 4 is an enlarged front elevational view thereof;

FIG. 5 is an enlarged left elevational view thereof;

FIG. 6 is an enlarged rear elevational view thereof;

FIG. 7 is an enlarged right elevational view thereof;

FIG. 8 is an enlarged top plan view thereof; and,

FIG. 9 is an enlarged bottom plan view thereof.

In the drawings, the broken lines show various portions of a windshield wiper and form no part of the claimed design.

**1 Claim, 9 Drawing Sheets**

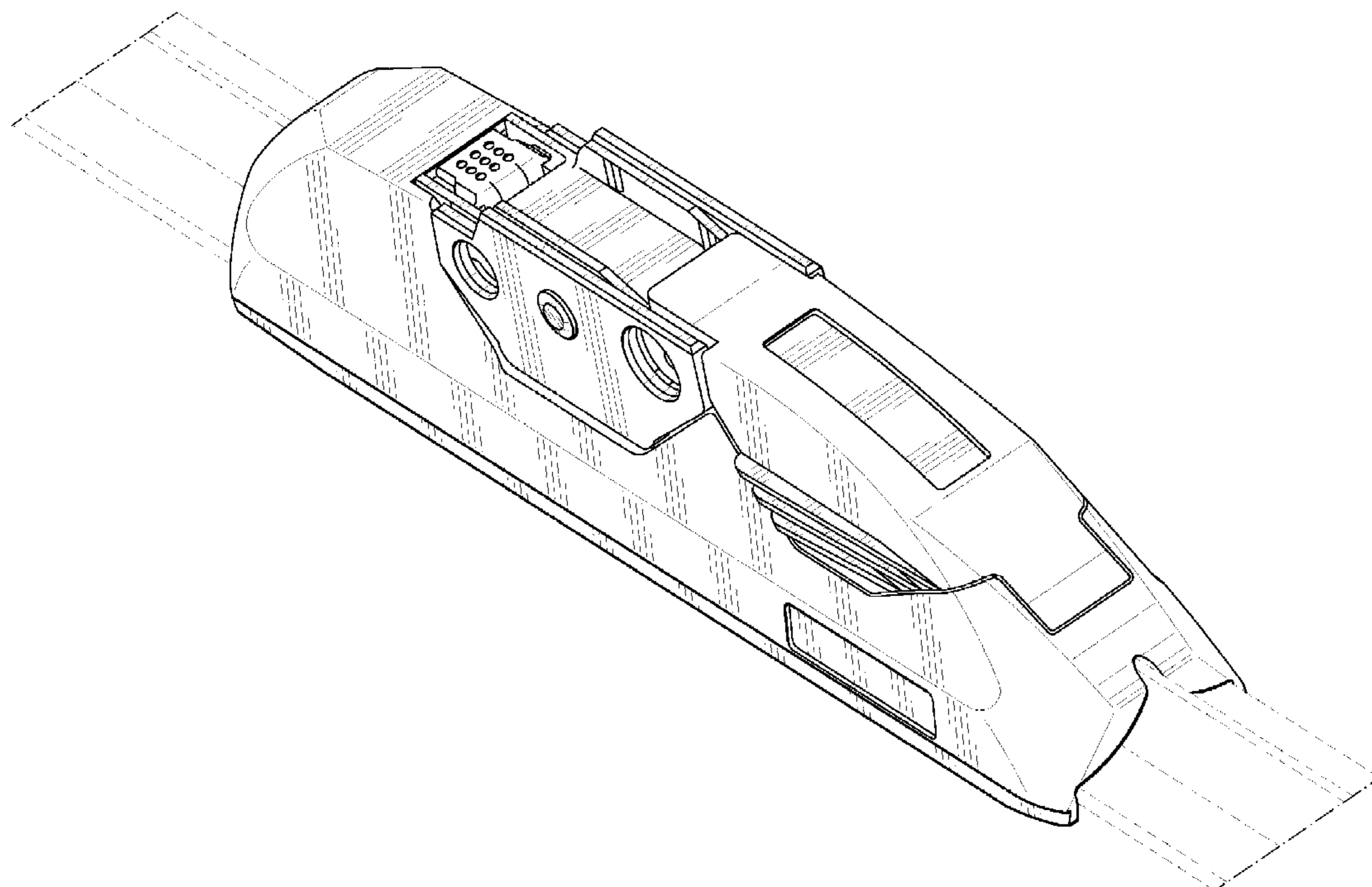




Fig. 1

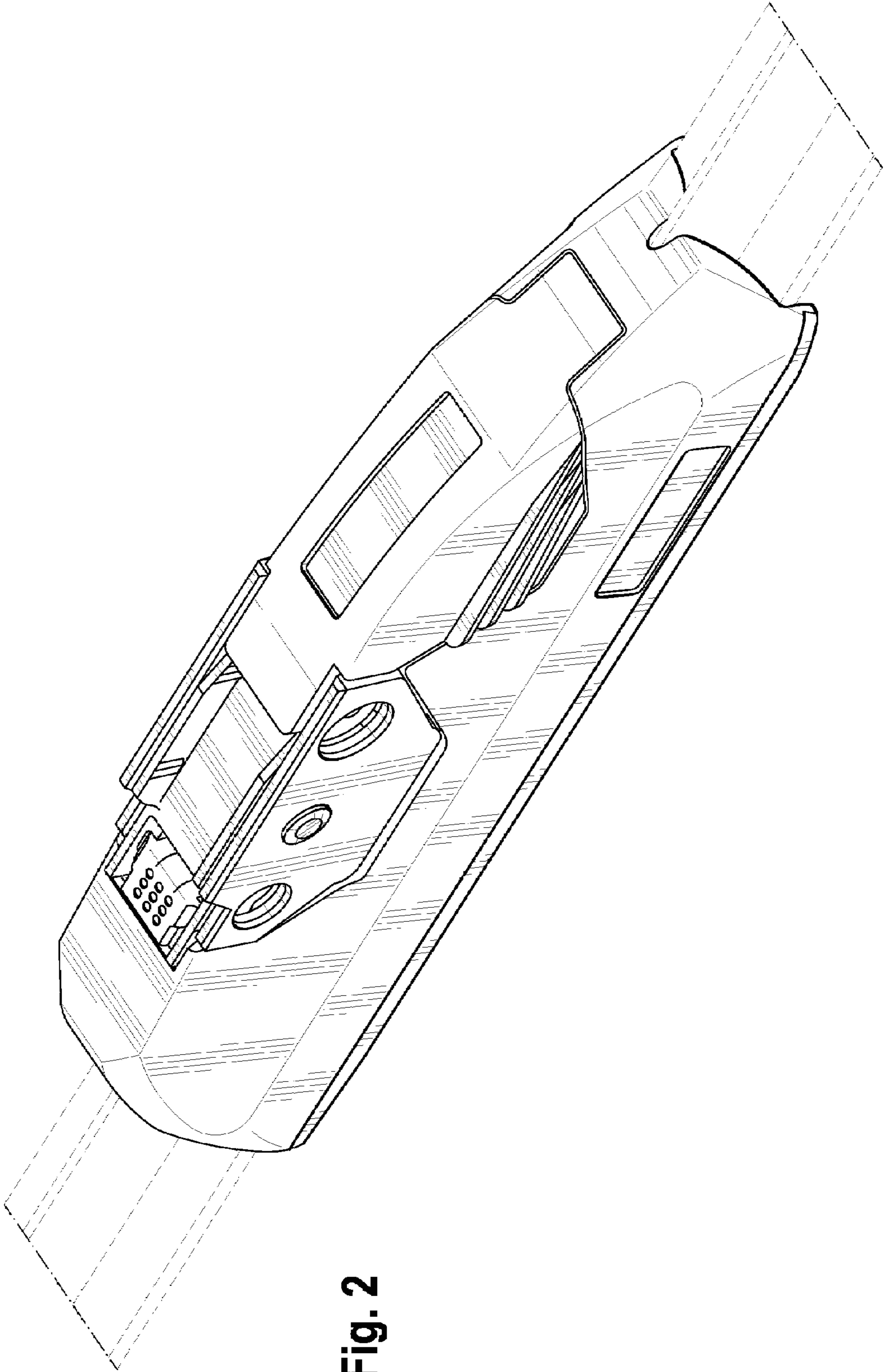
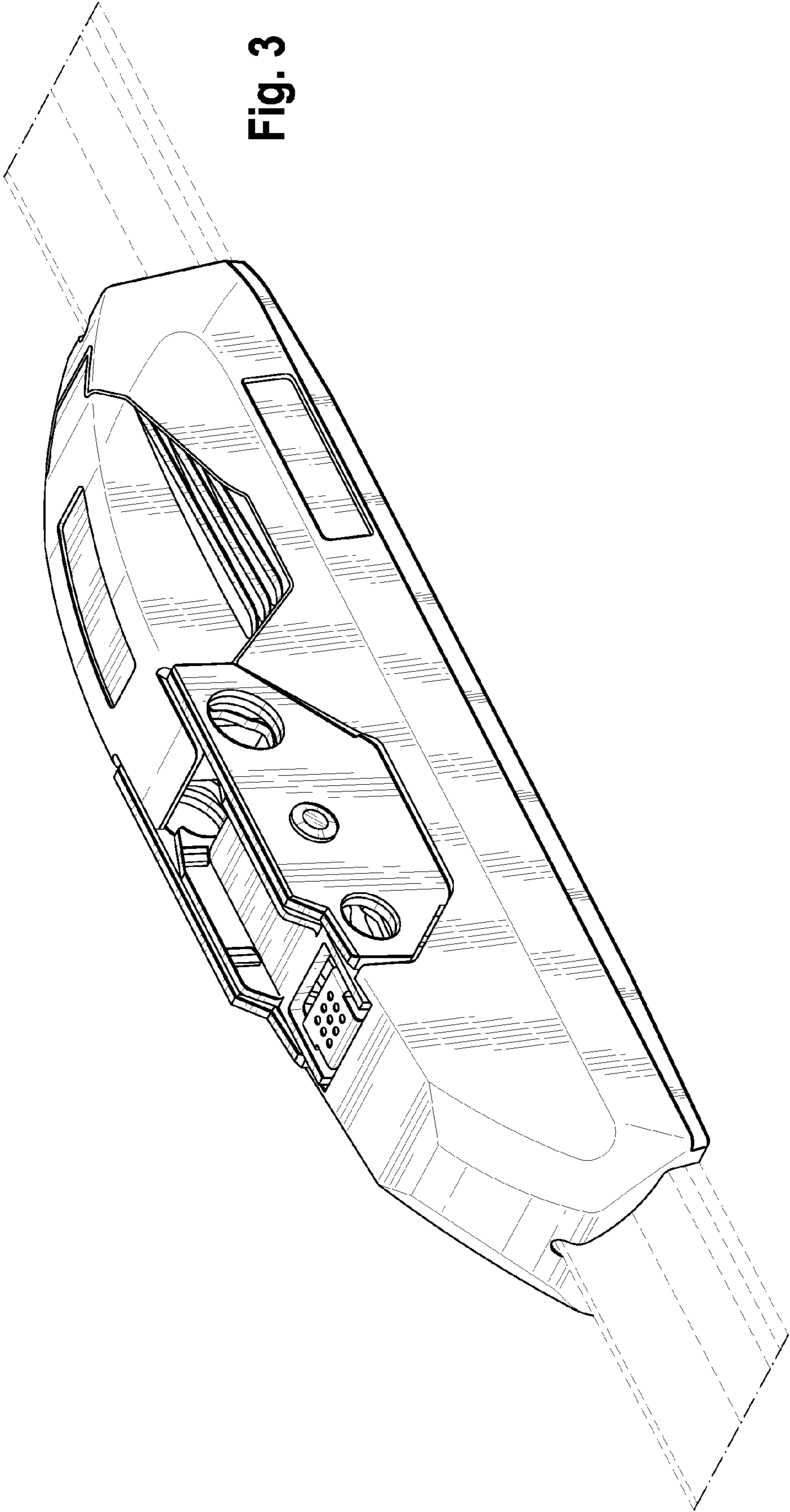
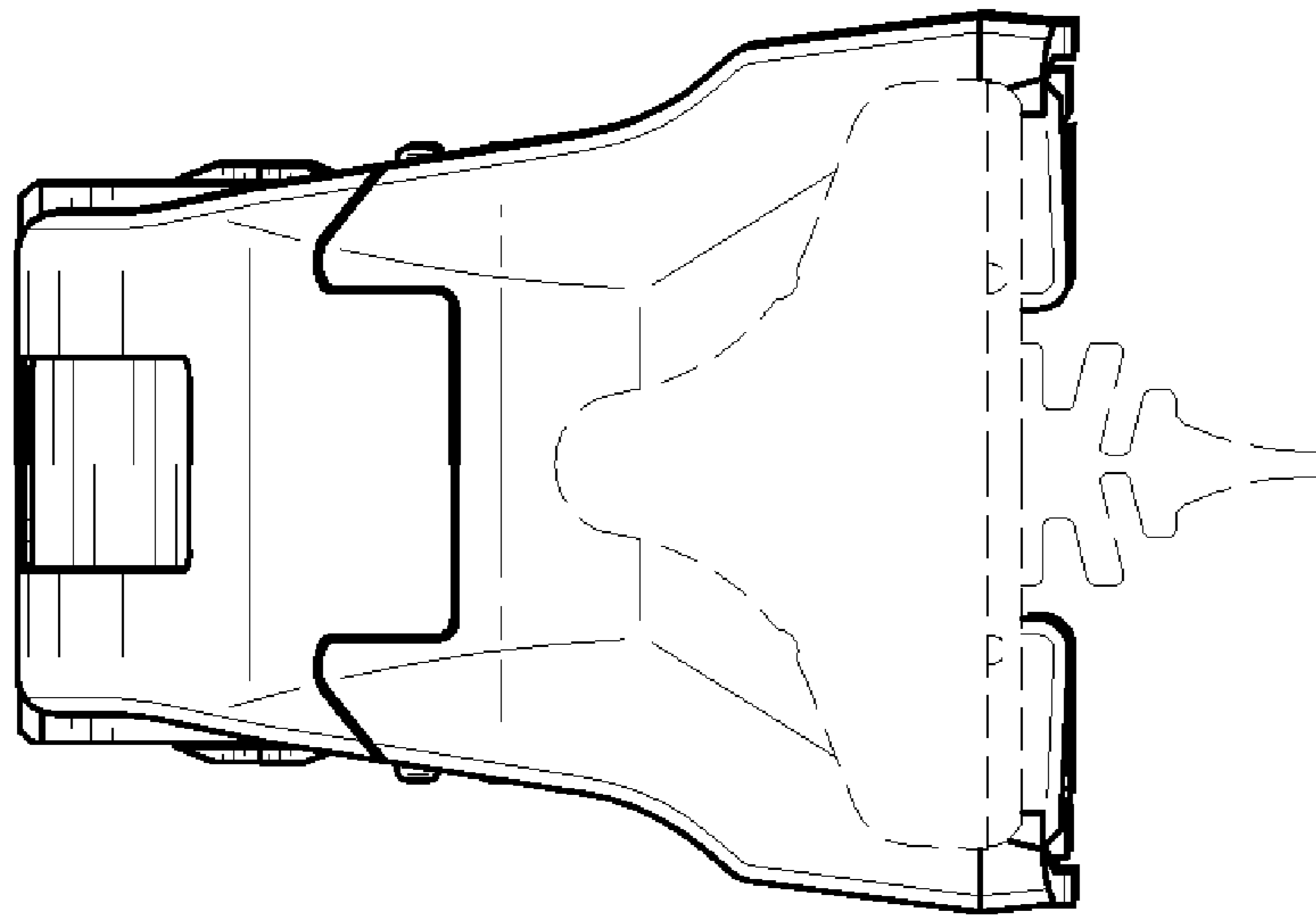


Fig. 2

Fig. 3





**Fig. 4**

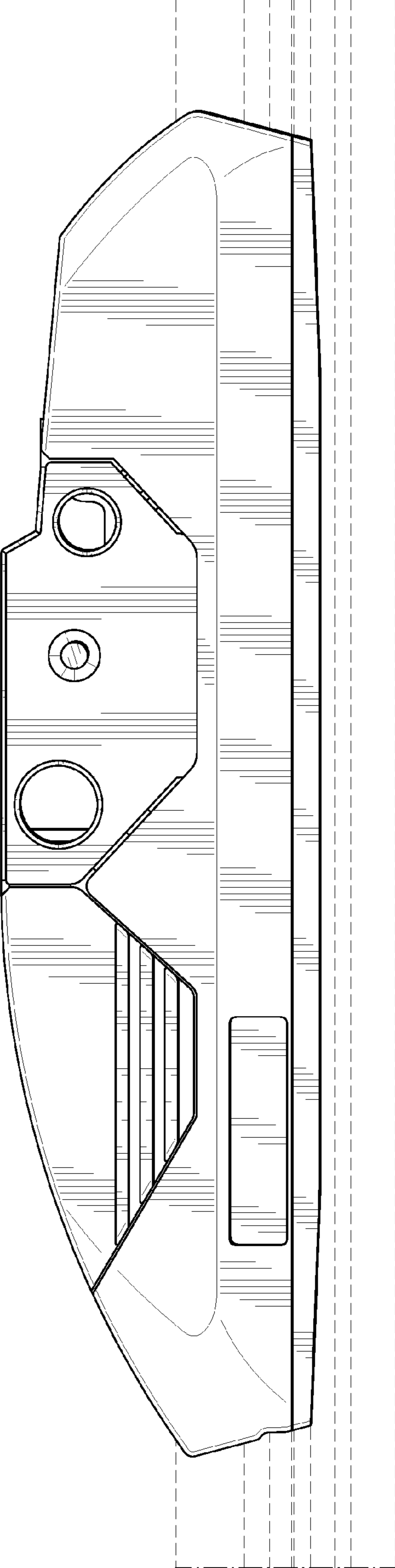
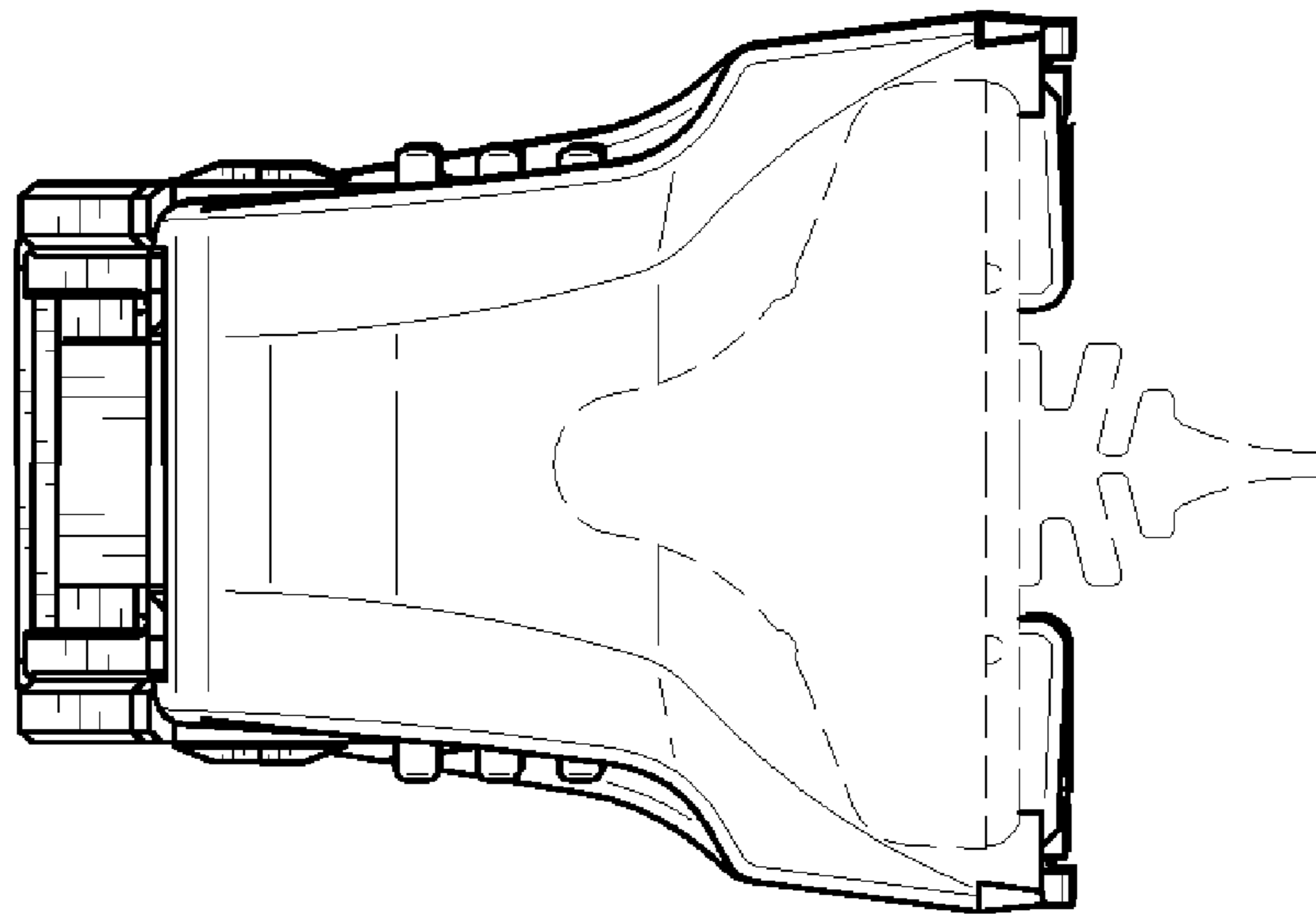


Fig. 5



**Fig. 6**

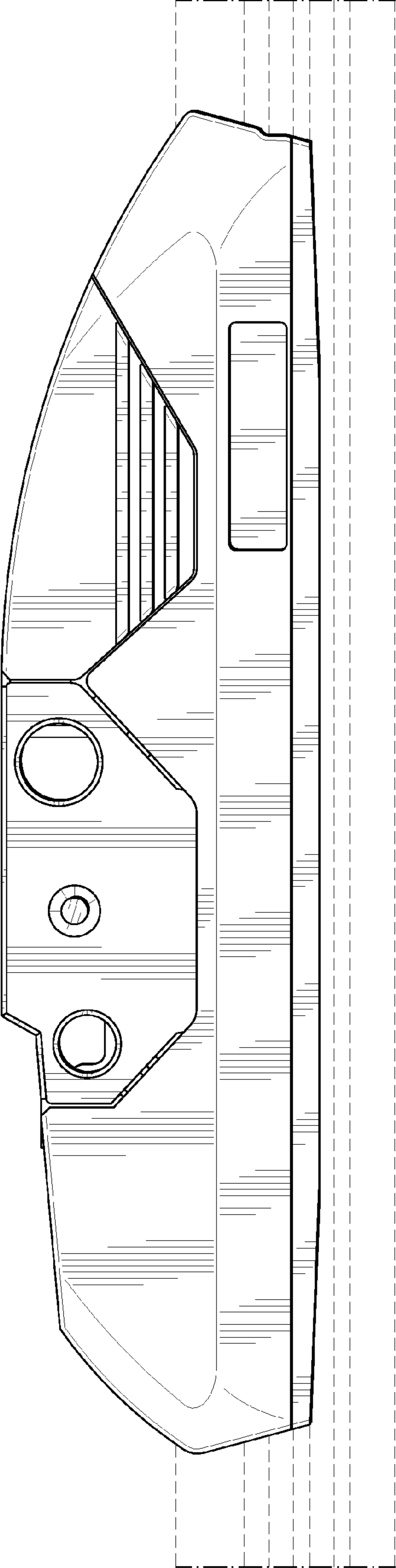


Fig. 7



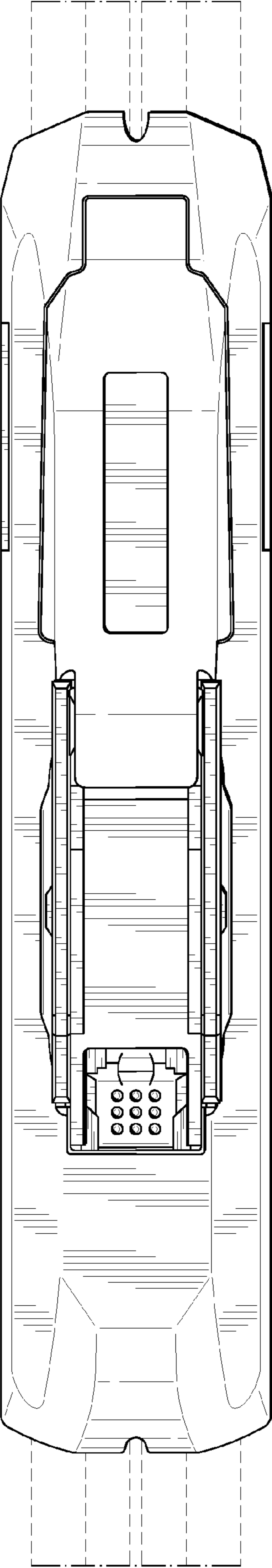


Fig. 8

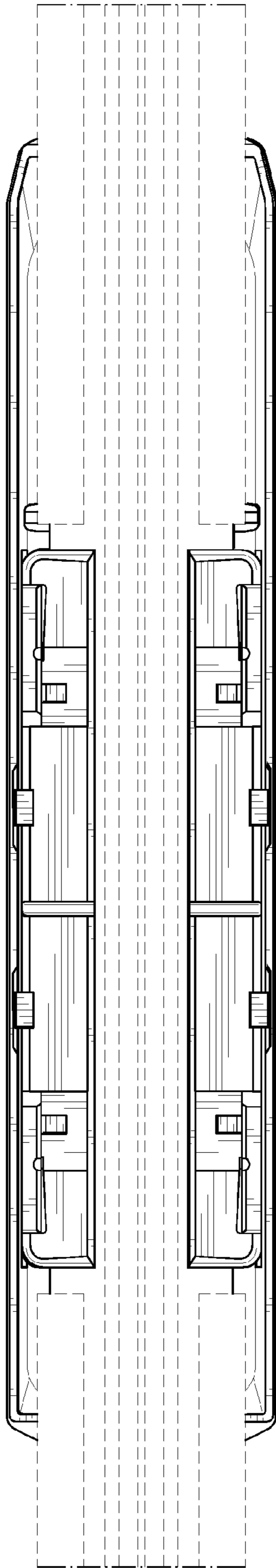


Fig. 9