



US00D587185S

(12) **United States Design Patent**
Baker

(10) **Patent No.:** **US D587,185 S**

(45) **Date of Patent:** **** Feb. 24, 2009**

(54) **AUXILIARY VEHICLE WINDOW WIPER**

(76) Inventor: **Reynold L Baker**, 848 S. 175th West,
Bountiful, UT (US) 84010

(**) Term: **14 Years**

(21) Appl. No.: **29/324,617**

(22) Filed: **Sep. 16, 2008**

(51) **LOC (9) Cl.** **12-06**

(52) **U.S. Cl.** **D12/219**

(58) **Field of Classification Search** D12/219-220;
15/246, 247, 250.001, 250.04, 250.361, 250.19,
15/250.48, 250.03, 250.31-250.33, 250.351,
15/250.38, 250.201, 250.451, 250.458, 250.07,
15/250.44

See application file for complete search history.

(56) **References Cited**

U.S. PATENT DOCUMENTS

3,011,200	A *	12/1961	Bignon	15/250.34
3,060,479	A *	10/1962	Simpson et al.	15/250.14
6,324,719	B1	12/2001	Ritacco		
7,251,852	B2 *	8/2007	Metz	15/250.21
7,322,069	B1	1/2008	Lin		
7,395,576	B2 *	7/2008	Boyce	15/250.31
2003/0213087	A1 *	11/2003	Moein et al.	15/250.3

2008/0155777	A1 *	7/2008	Stull	15/250.202
2008/0289136	A1 *	11/2008	Ohta et al.	15/250.48
2008/0301898	A1 *	12/2008	Katou et al.	15/250.201

* cited by examiner

Primary Examiner—Caron Veynar
Assistant Examiner—Katrina A Kile

(57) **CLAIM**

The ornamental design for a auxiliary vehicle window wiper, as shown and described.

DESCRIPTION

FIG. 1 is a front elevation view of a auxiliary vehicle window wiper showing my new design;

FIG. 2 is a rear elevation plan view thereof;

FIG. 3 is a left side elevation view thereof;

FIG. 4 is a right side elevation view thereof;

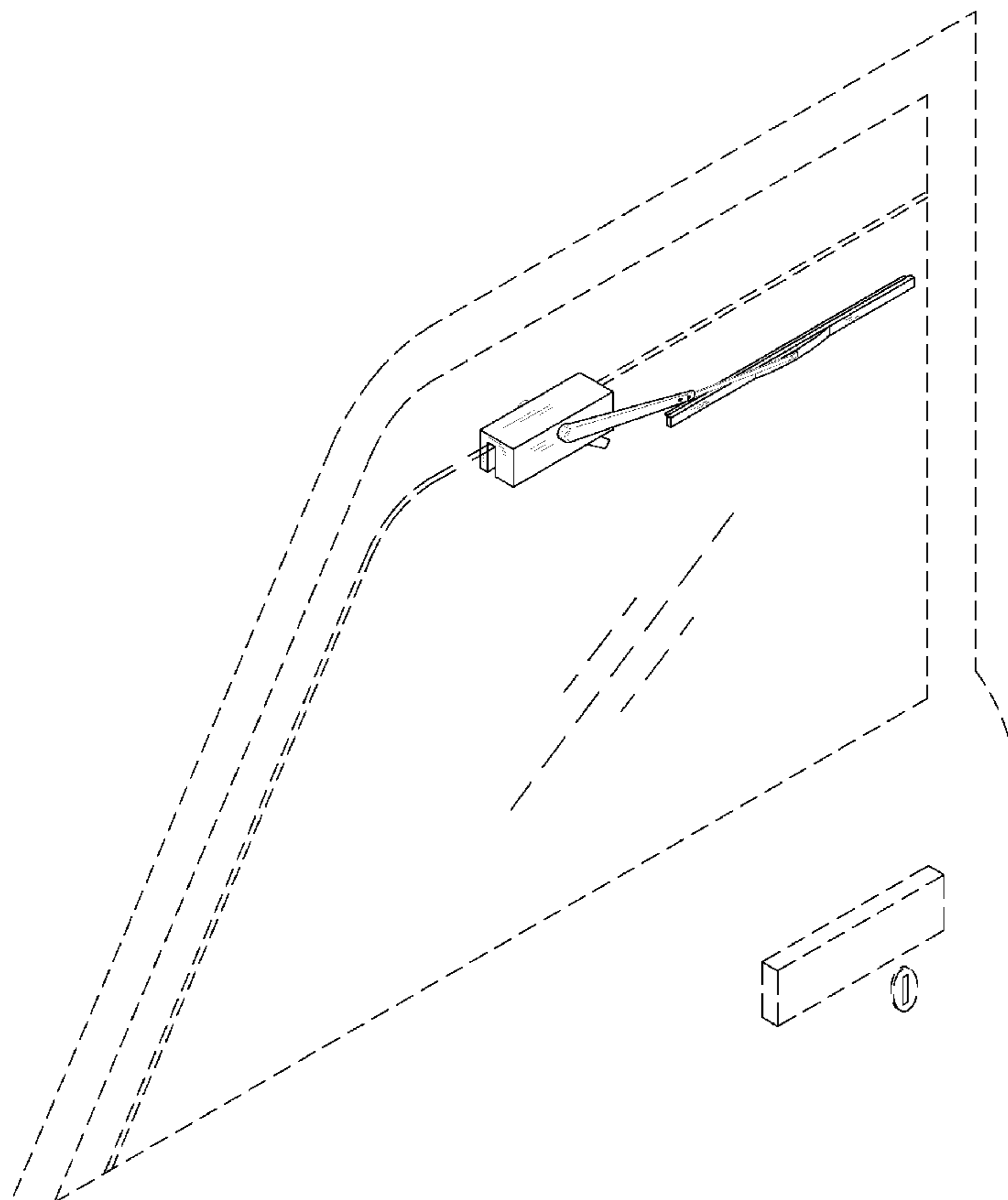
FIG. 5 is a top plan view thereof;

FIG. 6 is a bottom plan view thereof; and,

FIG. 7 is an isometric view thereof.

The broken lines in FIG. 7 are for environmental purposes only and form no part of the claimed design.

1 Claim, 4 Drawing Sheets



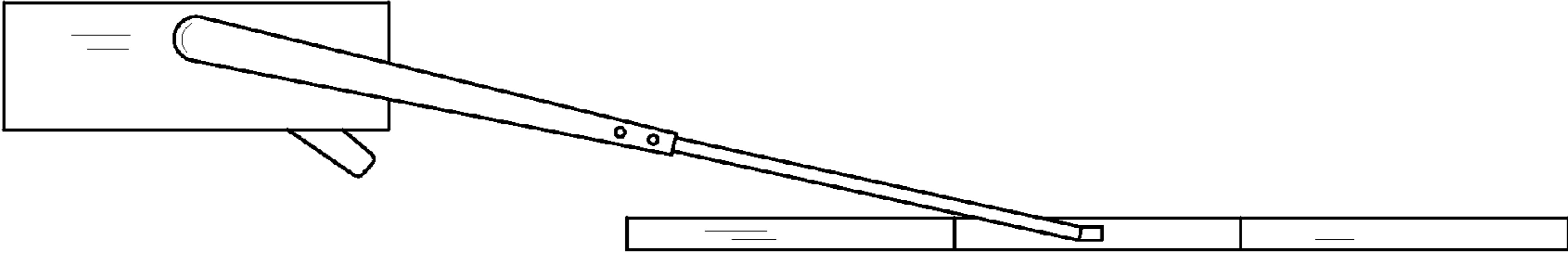


FIG. 1

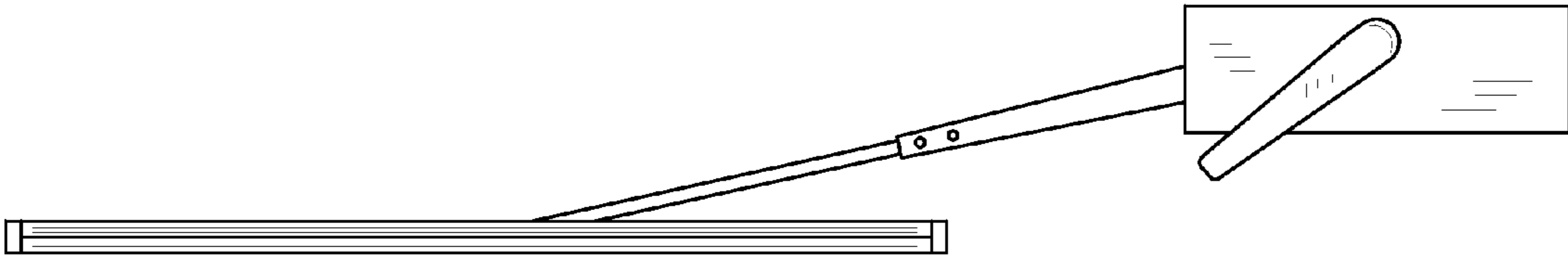


FIG. 2

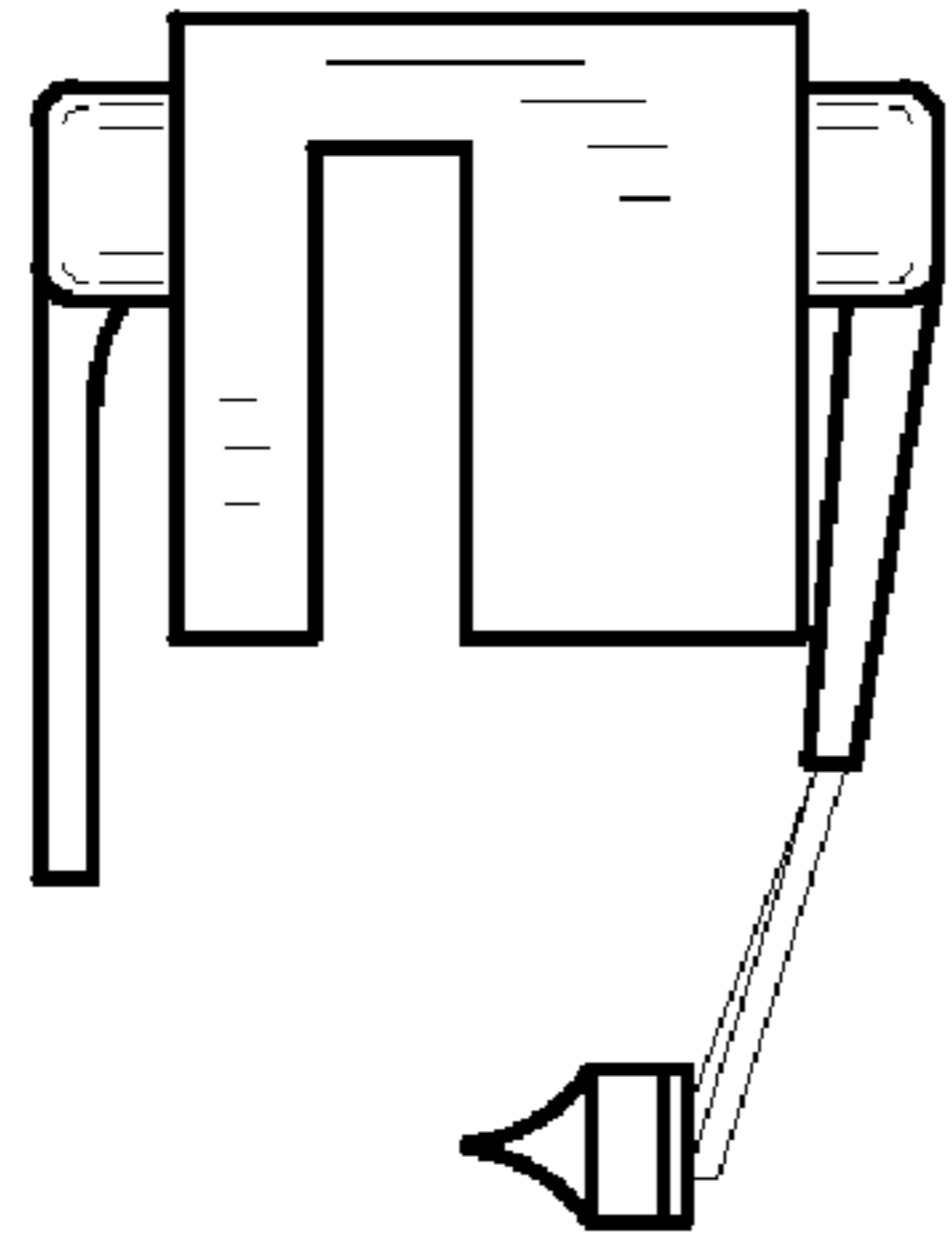


FIG. 3

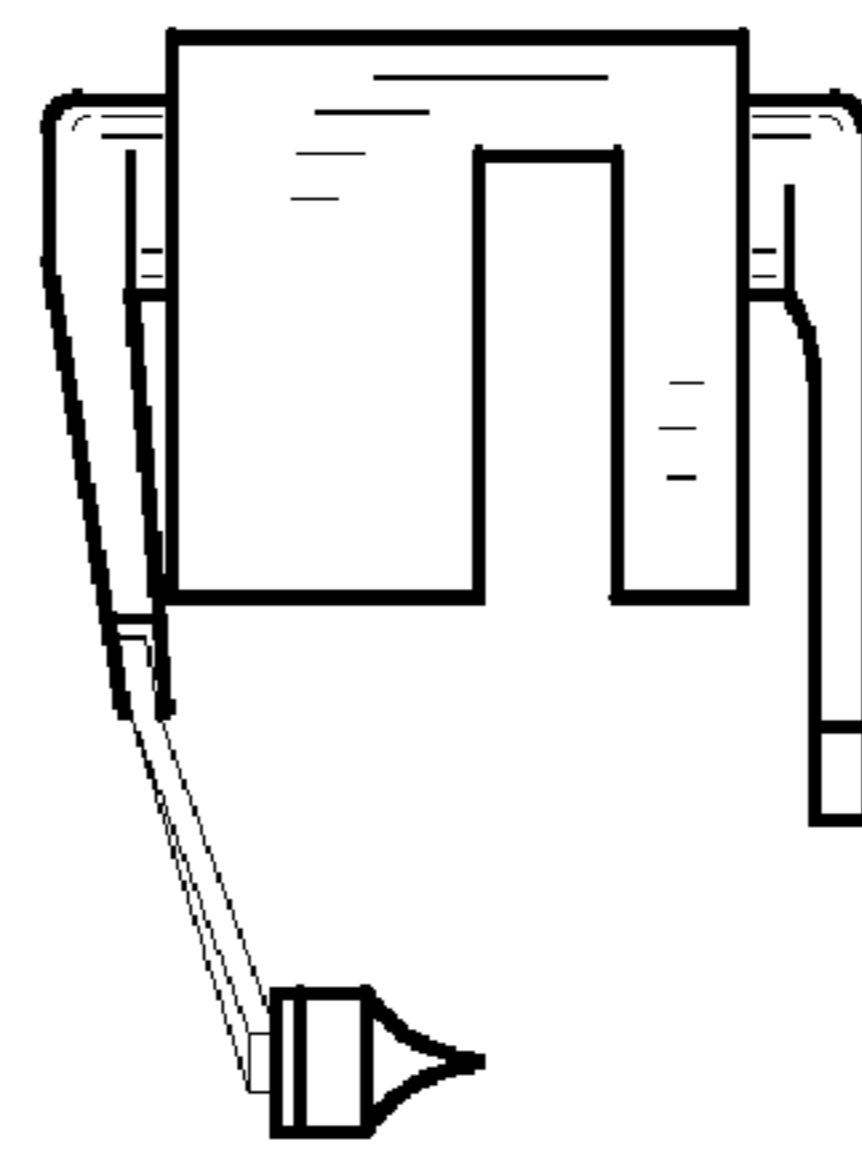


FIG. 4

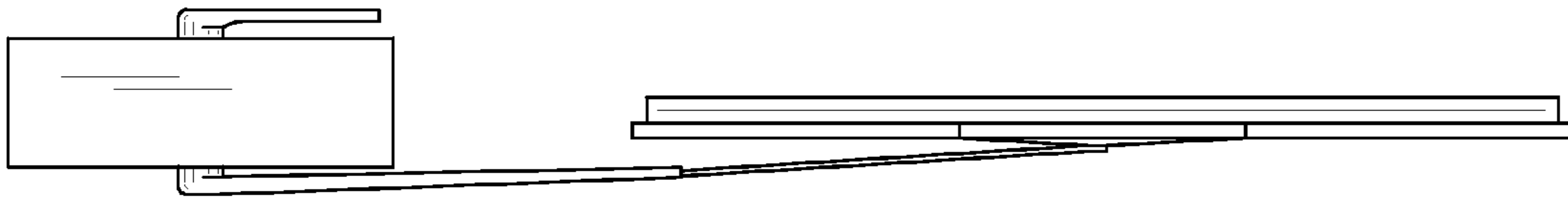


FIG. 5

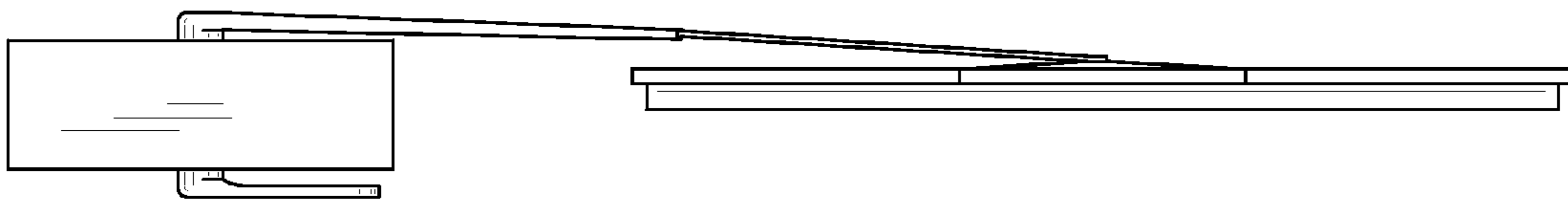


FIG. 6

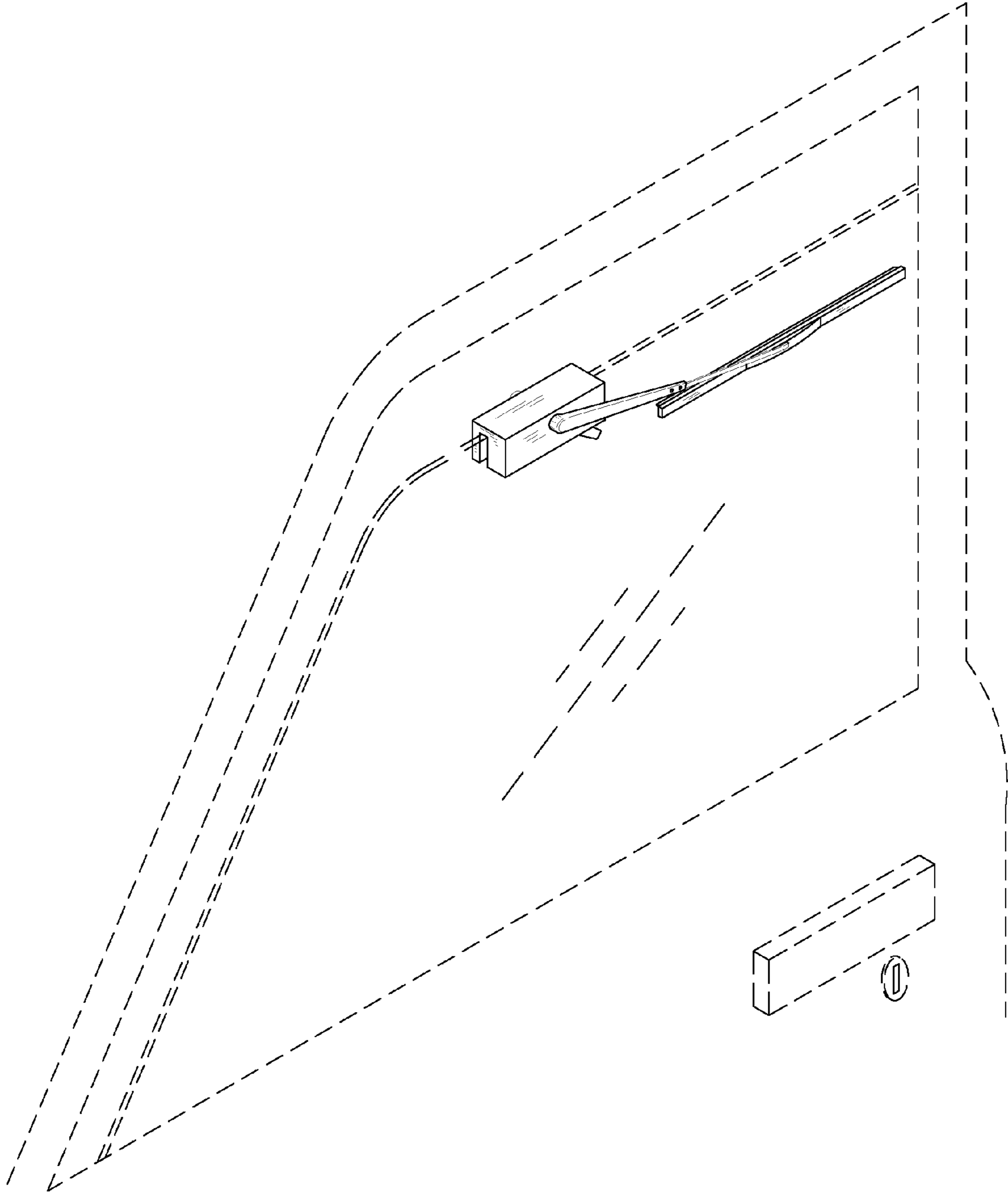


FIG. 7