



US00D587182S

(12) **United States Design Patent**
Walton et al.

(10) **Patent No.:** **US D587,182 S**

(45) **Date of Patent:** **** Feb. 24, 2009**

(54) **ANCHOR**

D445,393 S * 7/2001 Dallavalle D12/215

(75) Inventors: **John K. Walton**, Chippewa Falls, WI (US); **Rod A. Tegels**, Cadott, WI (US)

* cited by examiner

Primary Examiner—Lisa P Lichtenstein

(73) Assignee: **Wave Stake LLC**, Chippewa Falls, WI (US)

(74) *Attorney, Agent, or Firm*—Skinner and Associates

(**) Term: **14 Years**

(57) **CLAIM**

The ornamental design for an anchor, as shown and described.

(21) Appl. No.: **29/269,093**

DESCRIPTION

(22) Filed: **Nov. 20, 2006**

FIG. 1 is a perspective view of a anchor showing an embodiment of the design of this invention.

(51) **LOC (9) Cl.** **12-16**

FIG. 2 is a back view thereof.

(52) **U.S. Cl.** **D12/215**

FIG. 3 is a top view thereof.

(58) **Field of Classification Search** D12/215;
114/294, 298

FIG. 4 is a front view thereof.

See application file for complete search history.

FIG. 5 is a bottom view thereof.

(56) **References Cited**

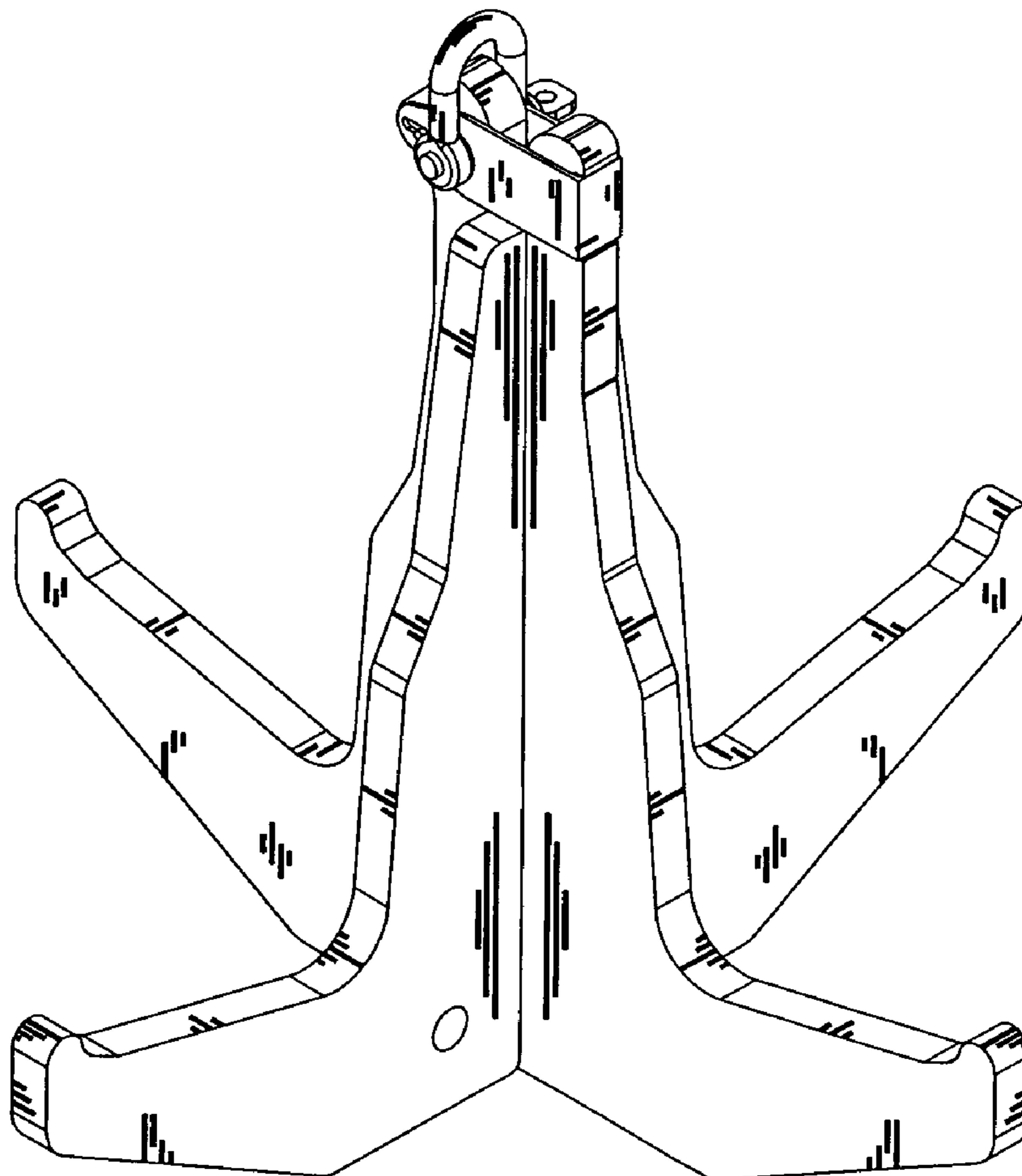
FIG. 6 is a left side view thereof; and,

U.S. PATENT DOCUMENTS

FIG. 7 is a right side view thereof.

5,092,261 A * 3/1992 Bertrand 114/304

1 Claim, 4 Drawing Sheets



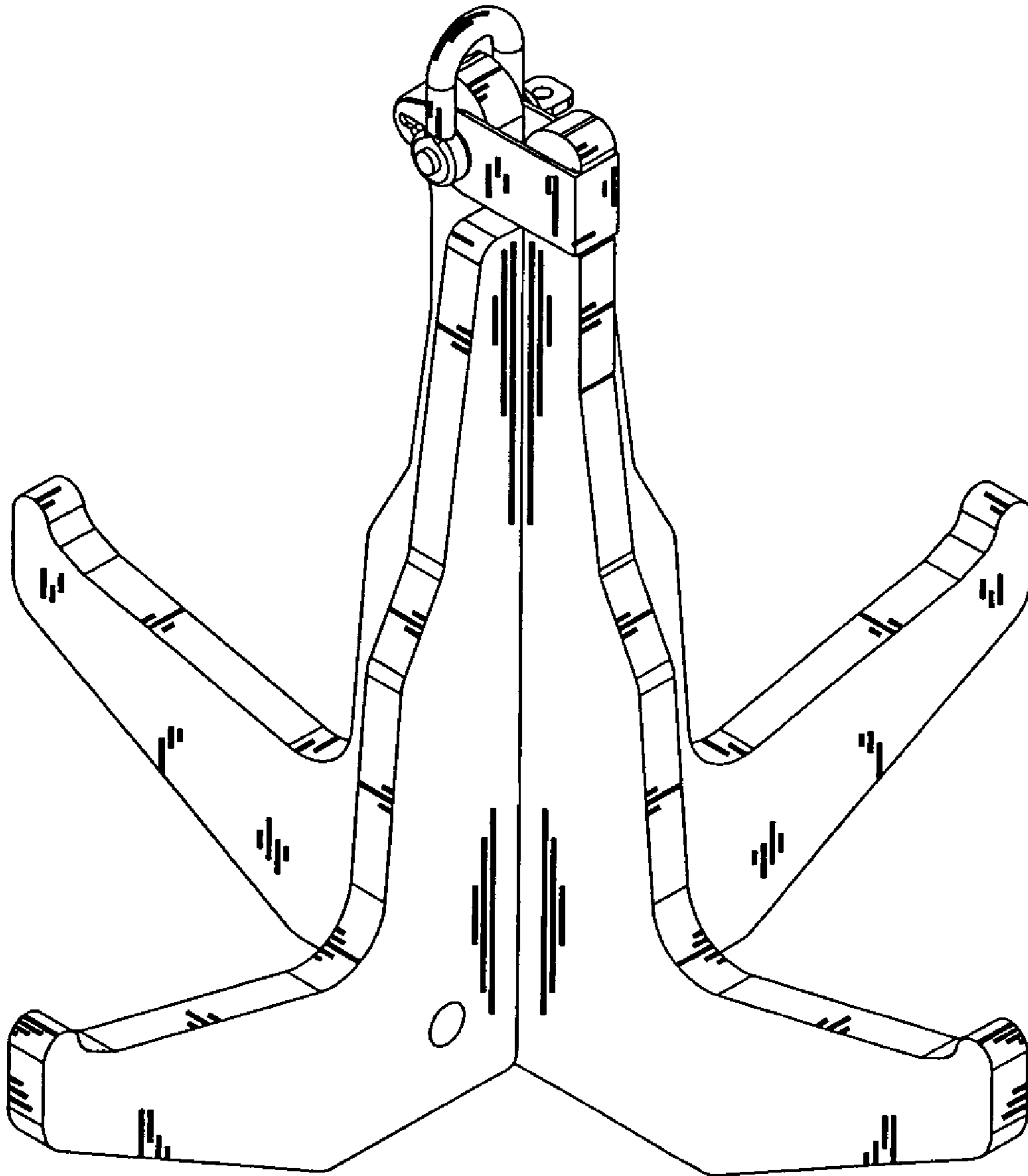


FIG. 1

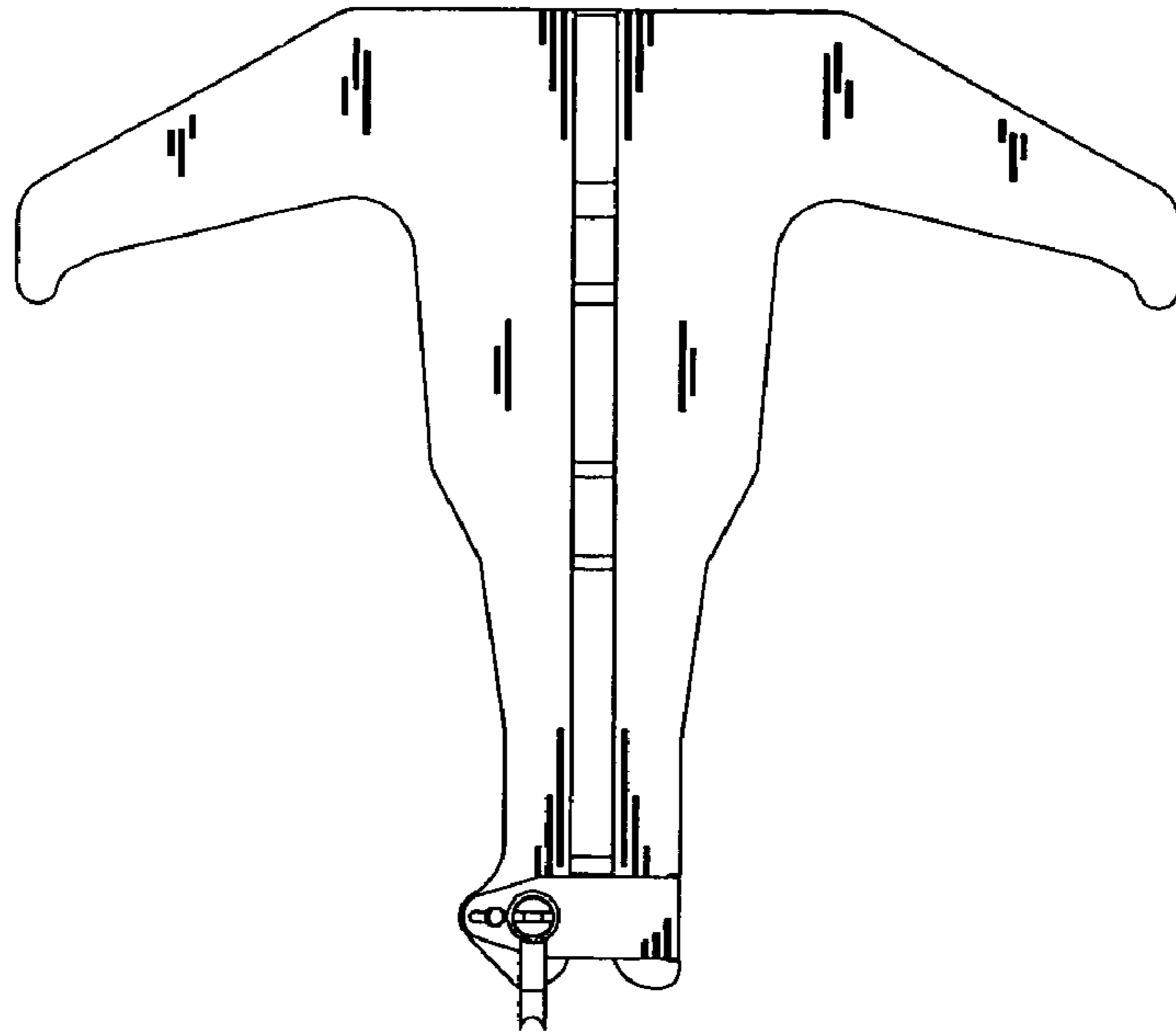


FIG. 2

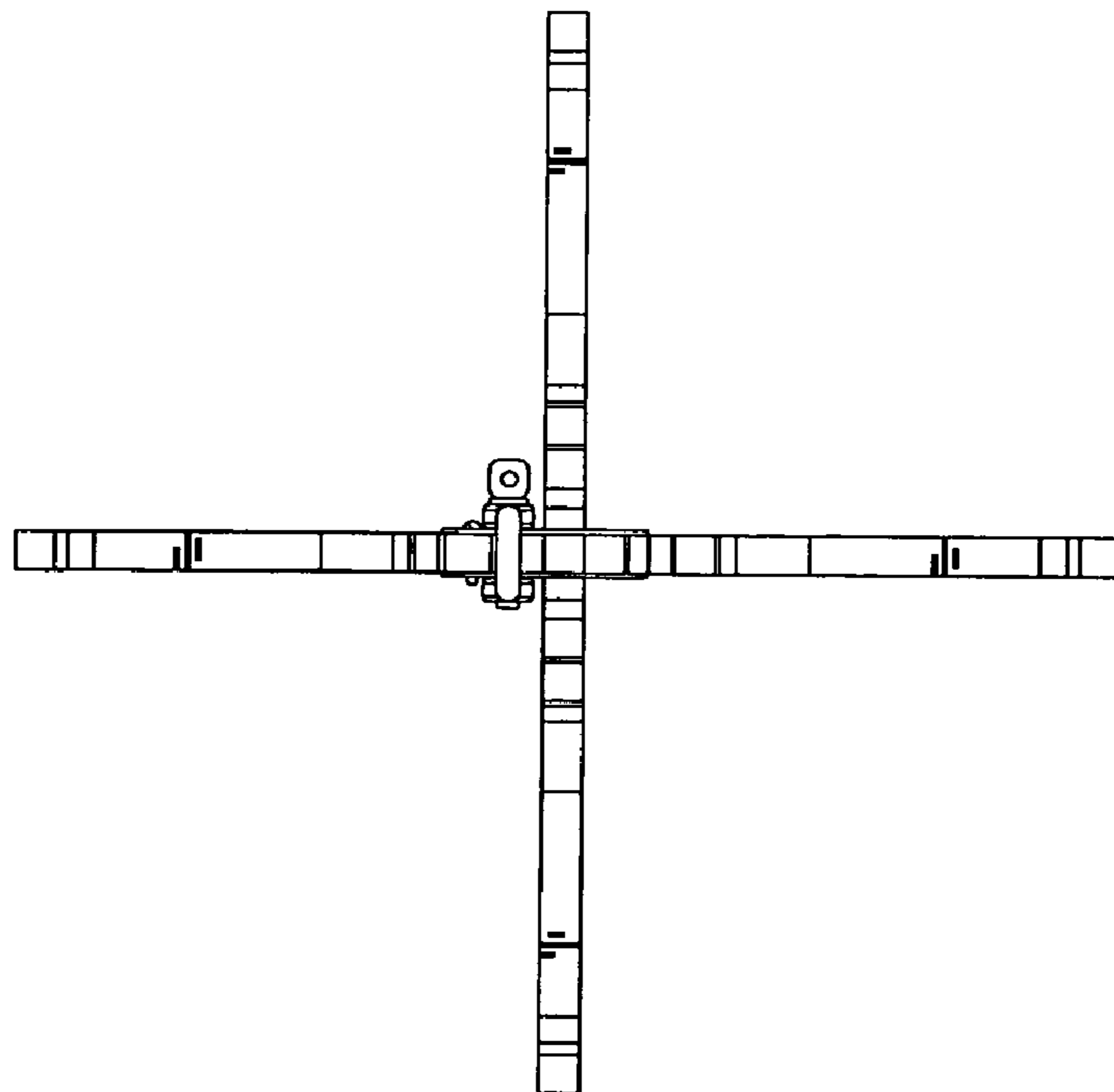


FIG. 3

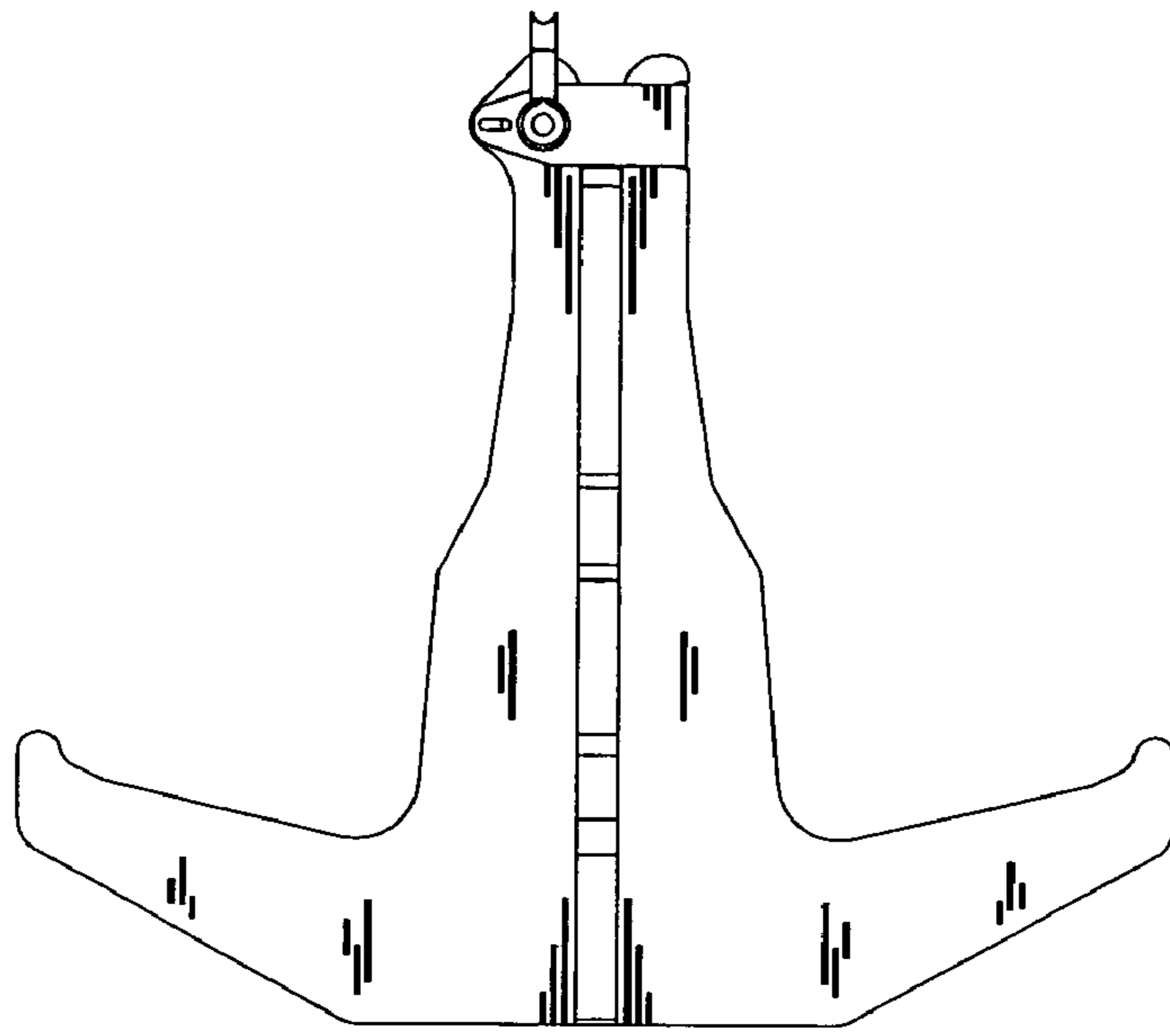


FIG. 4

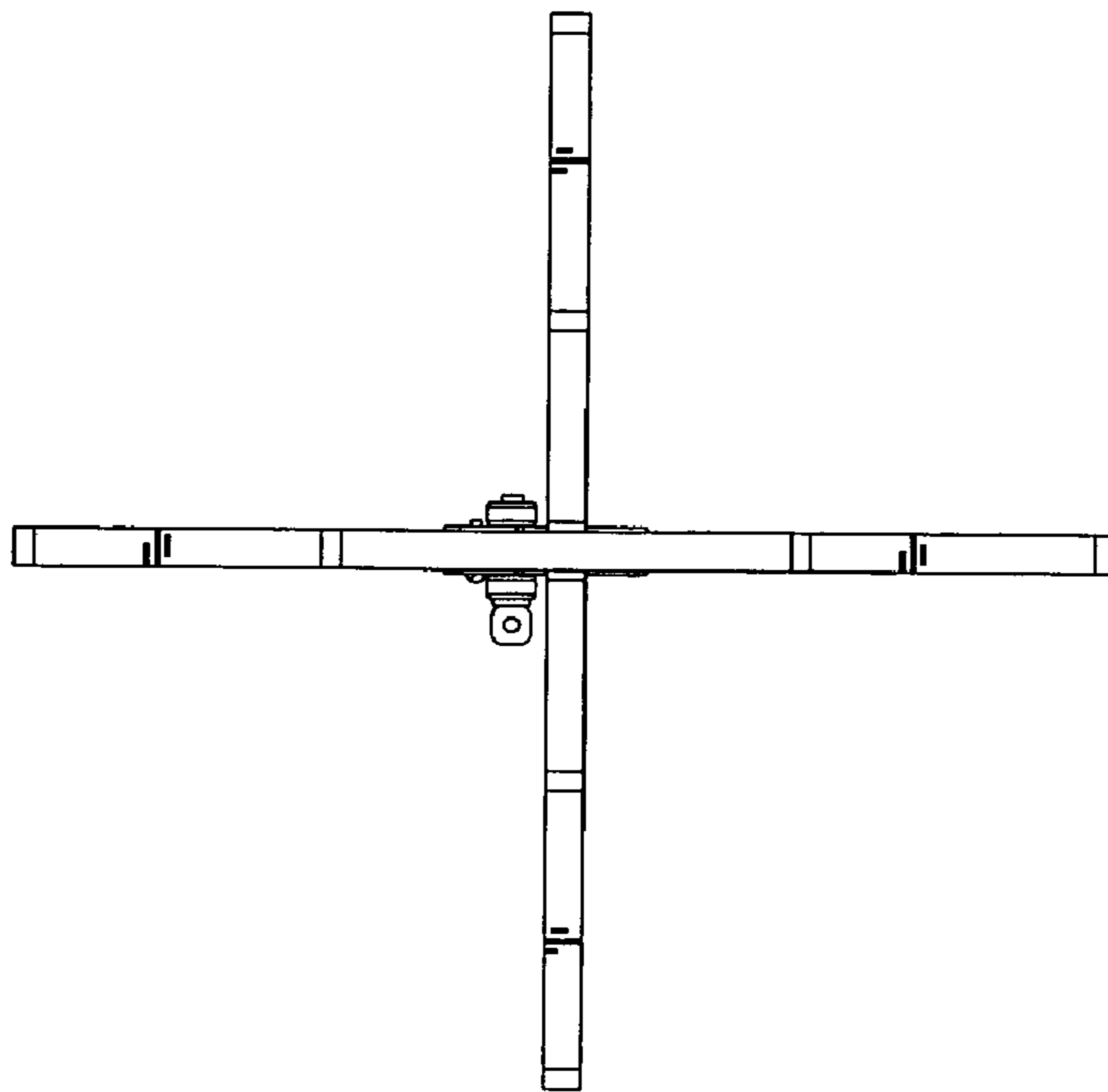


FIG. 5

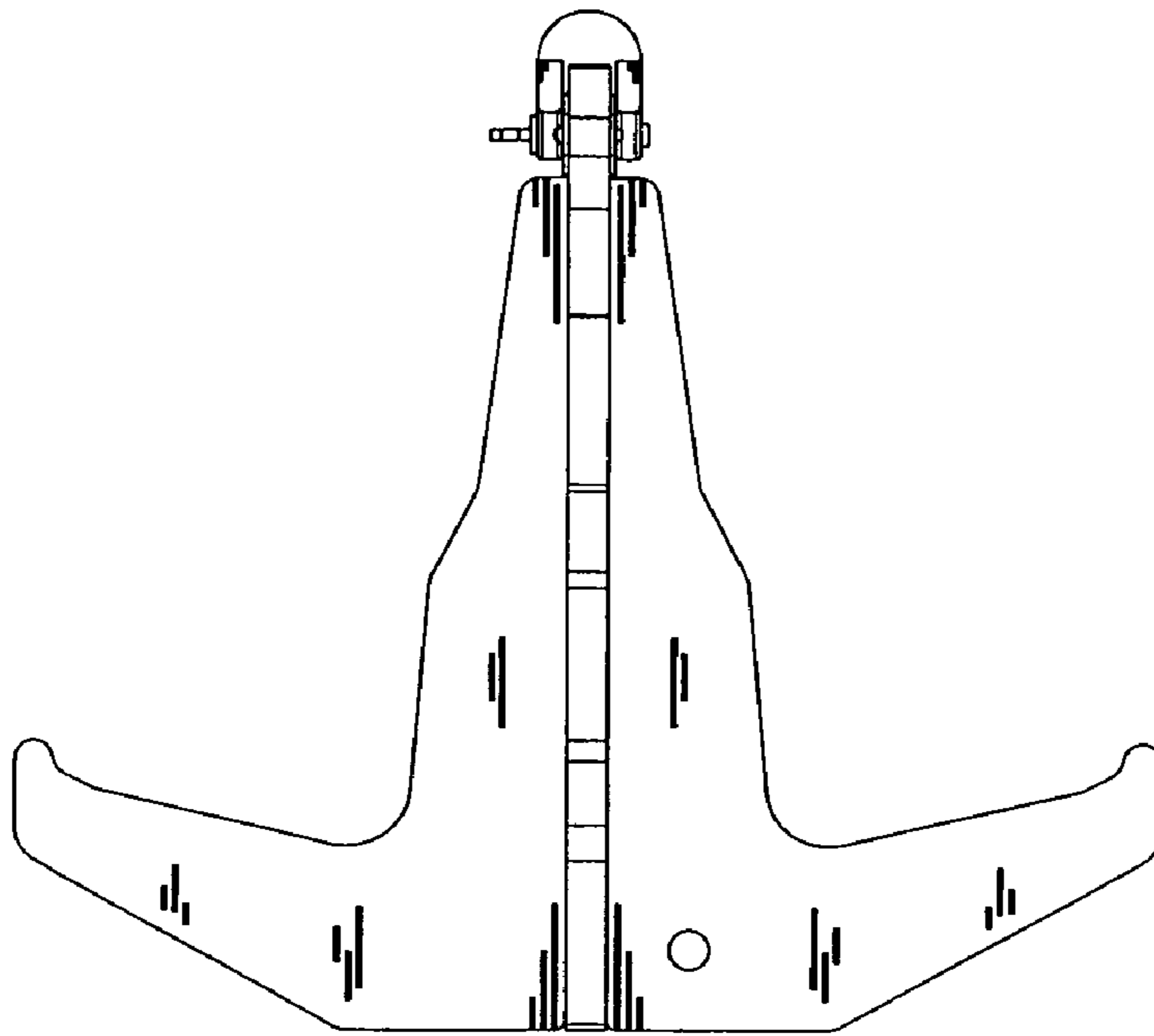


FIG. 6

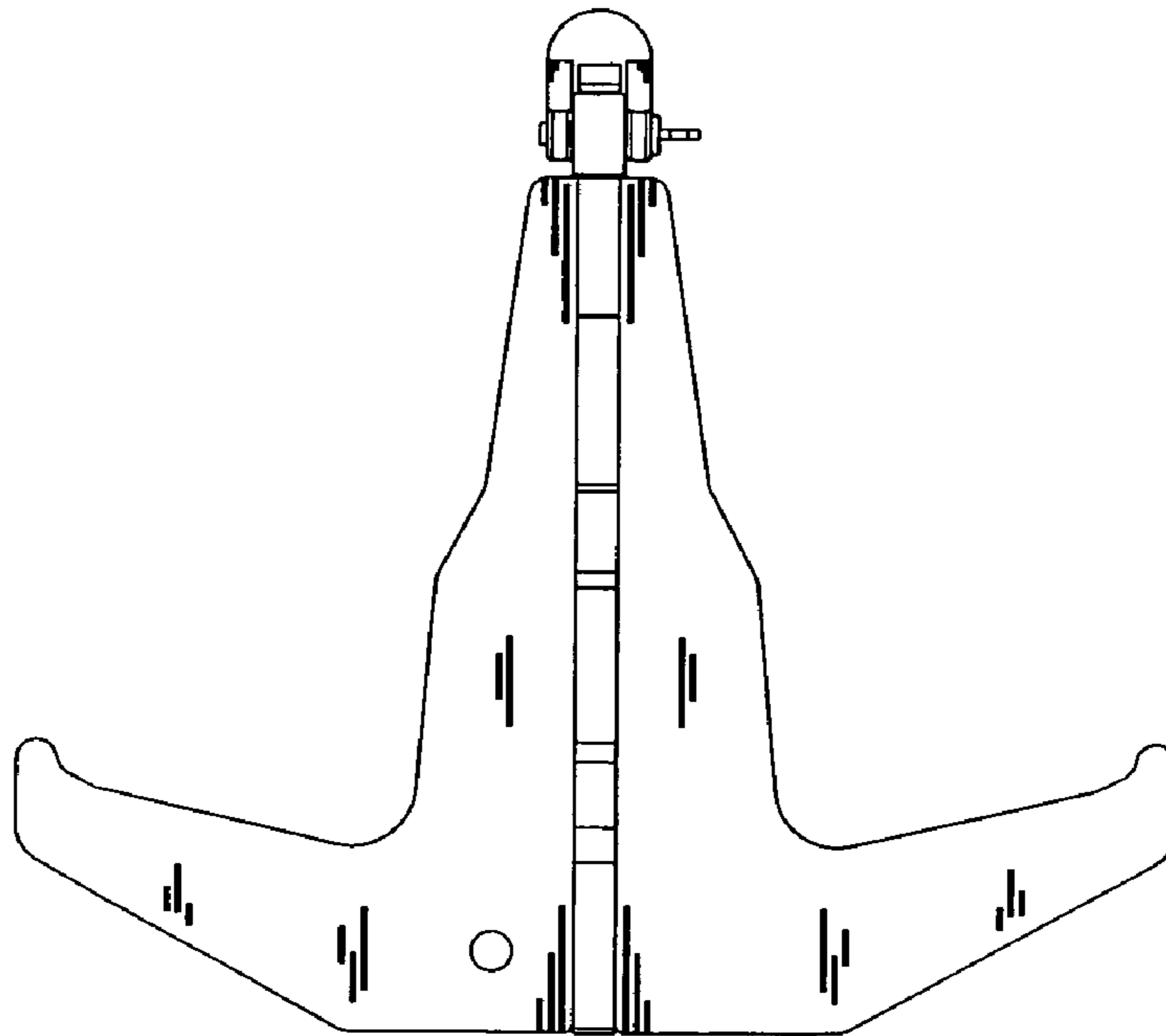


FIG. 7