



US00D587180S

(12) **United States Design Patent**
Pfeiffer

(10) **Patent No.:** **US D587,180 S**
(45) **Date of Patent:** **** Feb. 24, 2009**

(54) **FRONT FACE OF A VEHICLE WHEEL**

(75) Inventor: **Peter Pfeiffer**, Boeblingen (DE)

(73) Assignee: **Daimler AG**, Stuttgart (DE)

(**) Term: **14 Years**

(21) Appl. No.: **29/290,508**

(22) Filed: **Dec. 11, 2007**

(30) **Foreign Application Priority Data**

Jun. 12, 2007 (EM) 000738075-0003

(51) **LOC (9) Cl.** **12-16**

(52) **U.S. Cl.** **D12/209**

(58) **Field of Classification Search** D12/204–213;
301/37.101, 64.101, 65, 64.201

See application file for complete search history.

(56) **References Cited**

U.S. PATENT DOCUMENTS

D423,442 S *	4/2000	Hussaini et al.	D12/209
D441,709 S *	5/2001	Vian	D12/211
D458,571 S *	6/2002	Maifrini	D12/209
D469,048 S *	1/2003	van Hooydonk	D12/209
D486,110 S *	2/2004	Elmitt	D12/211
D487,046 S *	2/2004	Yamagishi	D12/209
D501,440 S *	2/2005	Pfeiffer	D12/211
D502,680 S *	3/2005	Frizzi	D12/211
D504,380 S *	4/2005	Kushartanto	D12/209
D505,371 S *	5/2005	Hueller	D12/209

D515,004 S *	2/2006	Scheu	D12/211
D516,487 S *	3/2006	Hettler	D12/209
D526,267 S *	8/2006	Looho	D12/211
D530,253 S *	10/2006	Coutts	D12/209
D530,657 S *	10/2006	Pfeiffer	D12/211
D531,565 S *	11/2006	Pfeiffer	D12/211
D538,215 S *	3/2007	Laengerer et al.	D12/209
D538,216 S *	3/2007	Sycha	D12/209
D576,534 S *	9/2008	Pfeiffer	D12/209
D580,334 S *	11/2008	Blasi	D12/211

* cited by examiner

Primary Examiner—Cathron C Brooks

Assistant Examiner—Austin Murphy

(74) *Attorney, Agent, or Firm*—Crowell & Moring LLP

(57) **CLAIM**

The ornamental design for a front face of a vehicle wheel, as shown and described.

DESCRIPTION

FIG. 1 is a front view of a first embodiment of a front face of a vehicle wheel according to my design; and

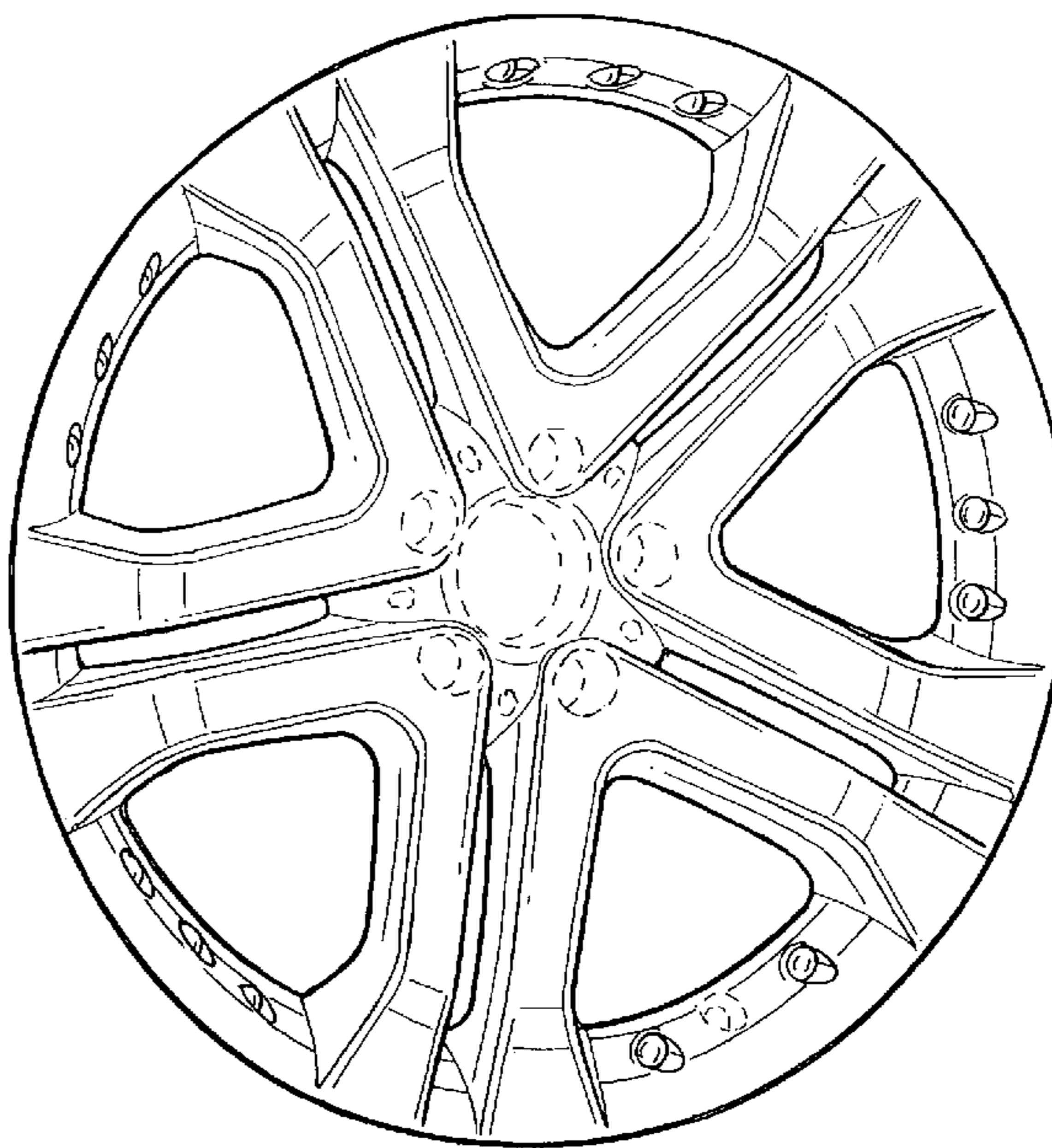
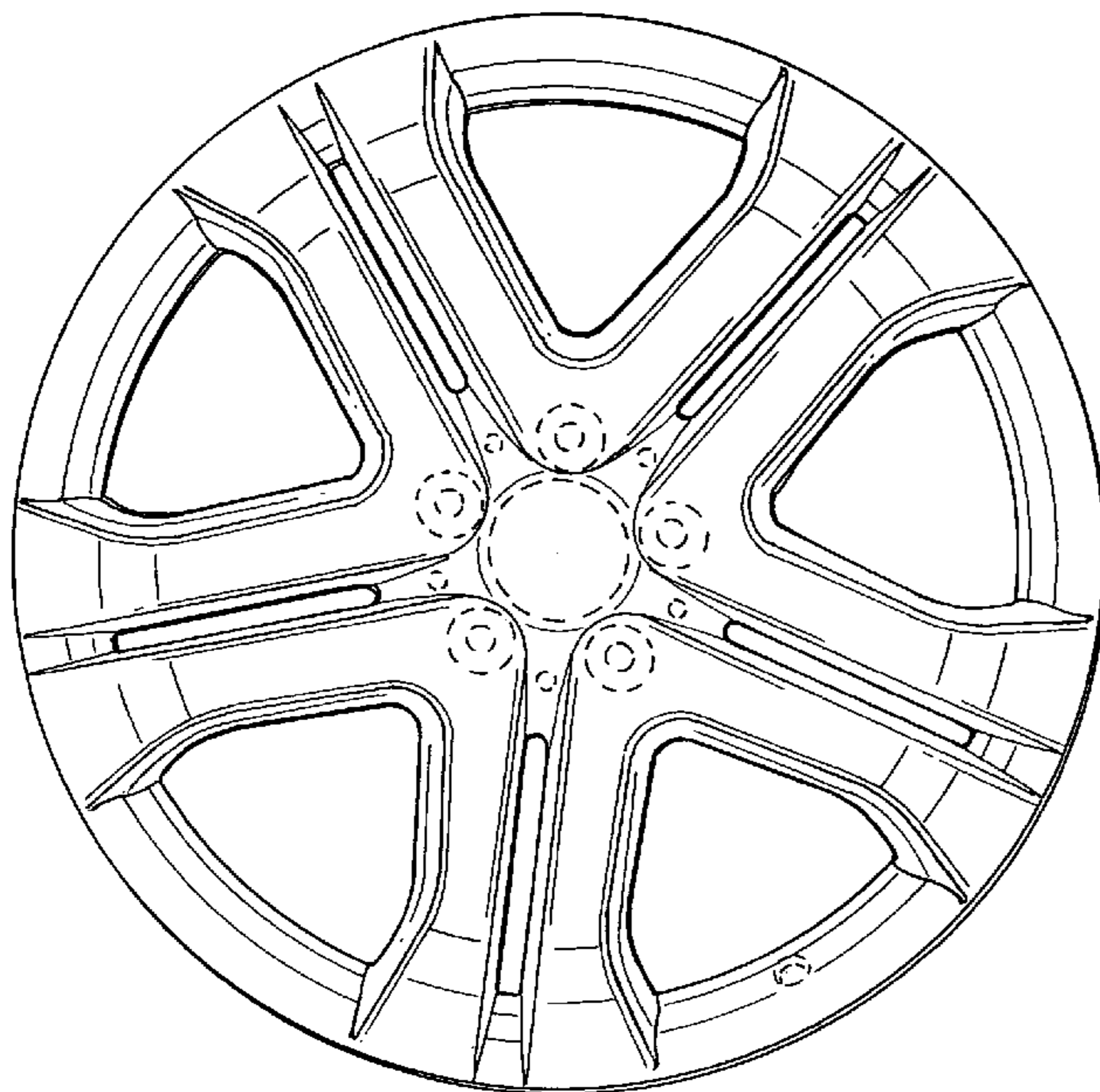
FIG. 2 is a perspective view thereof.

FIG. 3 is a front view of a second embodiment of the front face of a vehicle wheel according to my novel design; and,

FIG. 4 is a perspective view thereof.

The broken lines are for illustrative purposes only and form no part of the claimed design.

1 Claim, 2 Drawing Sheets



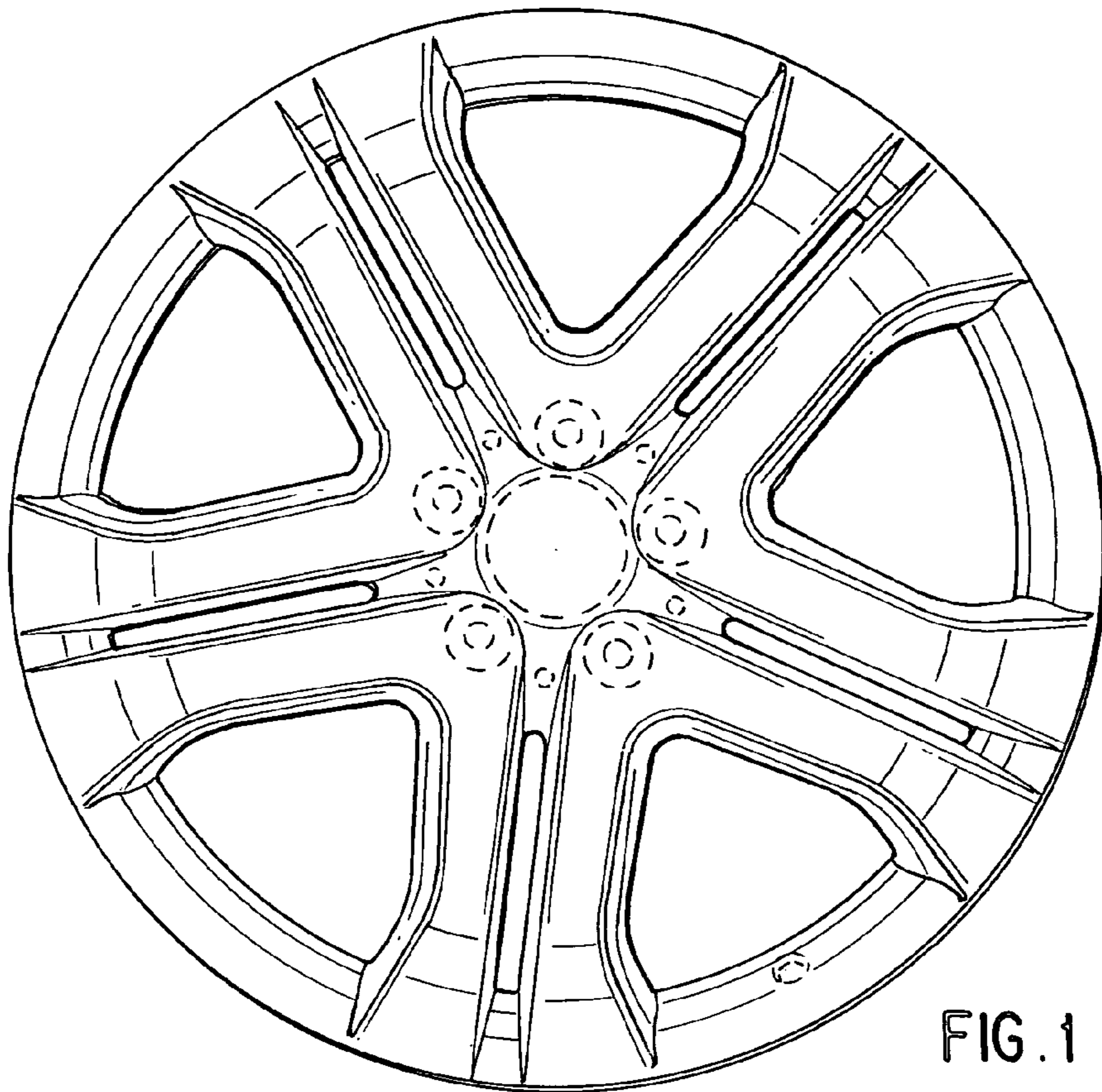


FIG. 1

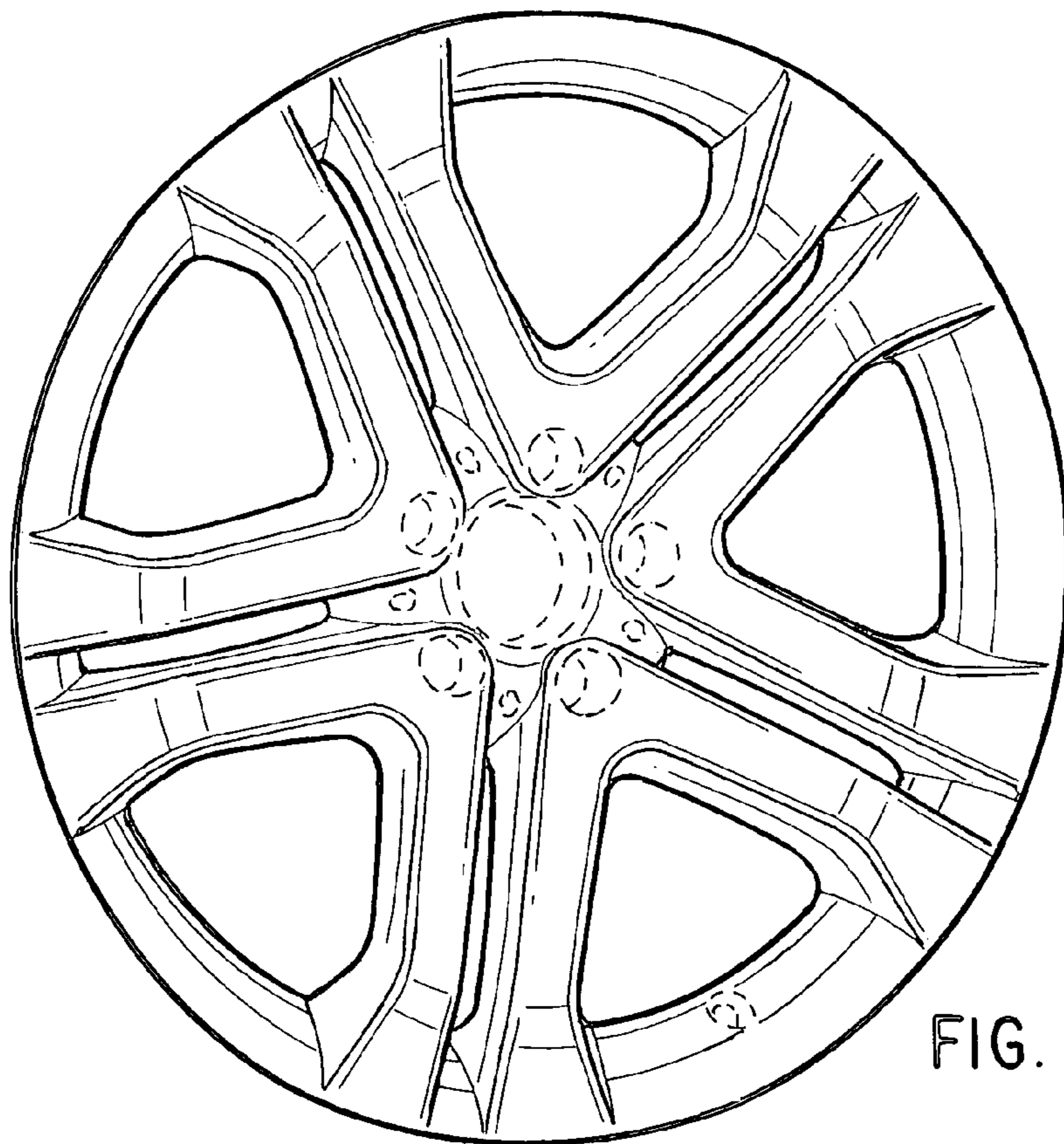


FIG. 2

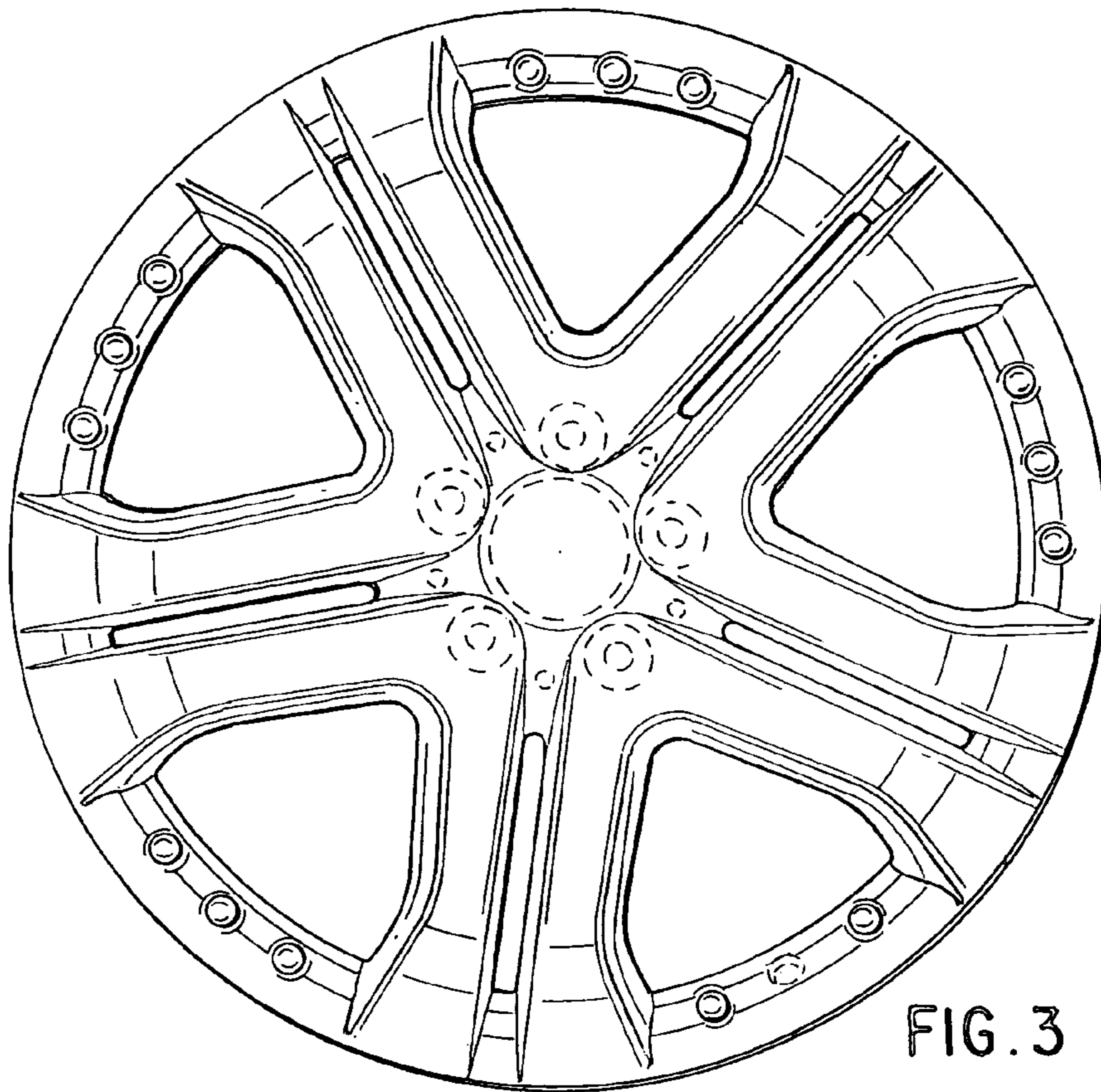


FIG. 3

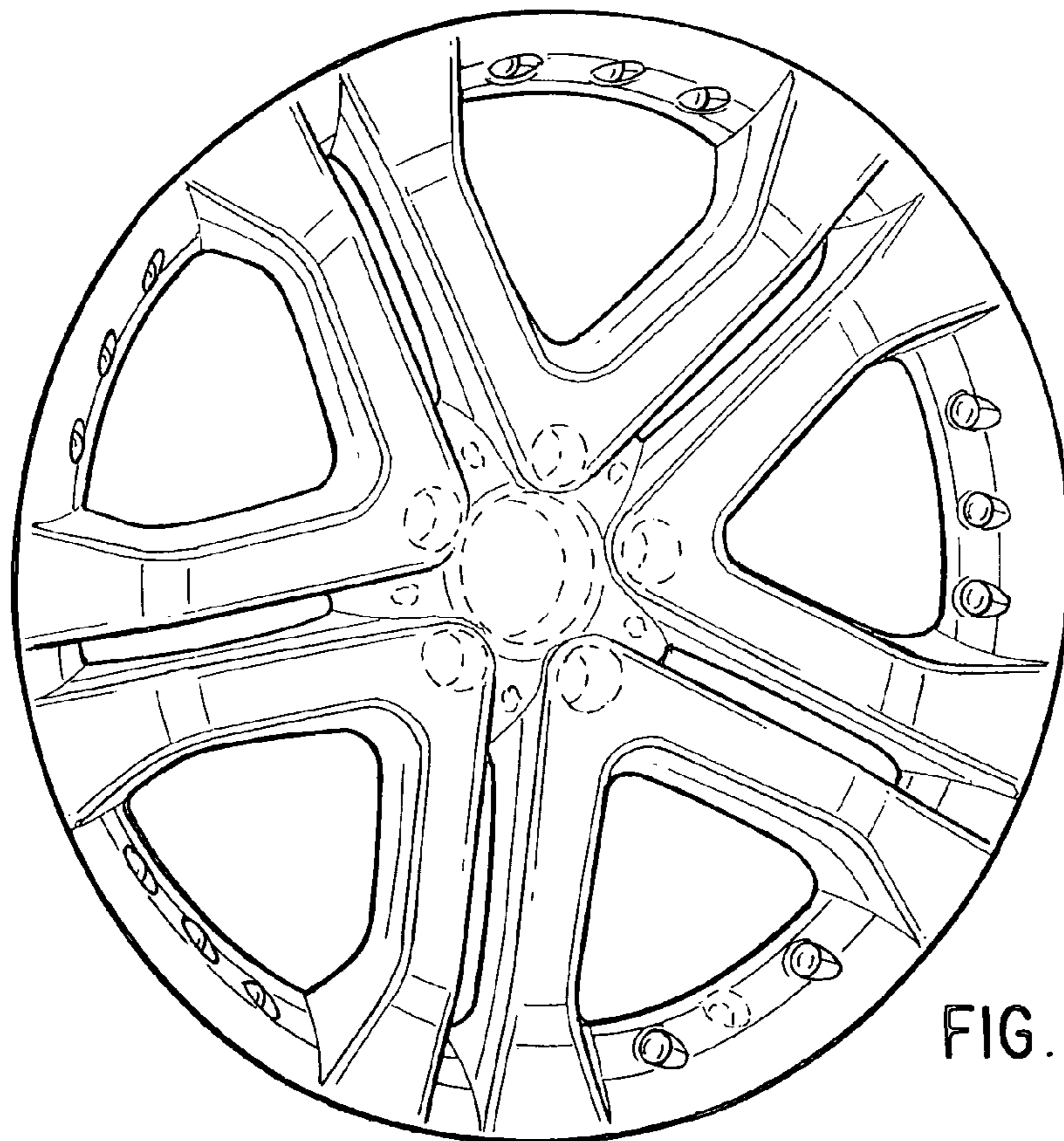


FIG. 4