



US00D587179S

(12) **United States Design Patent**
Pfeiffer

(10) **Patent No.:** **US D587,179 S**

(45) **Date of Patent:** **** Feb. 24, 2009**

(54) **FRONT FACE OF A VEHICLE WHEEL**

(75) Inventor: **Peter Pfeiffer**, Boeblingen (DE)

(73) Assignee: **Daimler AG**, Stuttgart (DE)

(**) Term: **14 Years**

(21) Appl. No.: **29/290,507**

(22) Filed: **Dec. 11, 2007**

(30) **Foreign Application Priority Data**

Jun. 12, 2007 (EM) 000738075-0001

(51) **LOC (9) Cl.** **12-16**

(52) **U.S. Cl.** **D12/209**

(58) **Field of Classification Search** D12/204-213;
301/37.101, 64.101, 65, 64.201

See application file for complete search history.

(56) **References Cited**

U.S. PATENT DOCUMENTS

D337,563 S *	7/1993	Boselli	D12/209
D388,047 S *	12/1997	Pfeiffer et al.	D12/211
D396,208 S *	7/1998	Baumgartner et al.	D12/211
D407,681 S *	4/1999	Sacco et al.	D12/209
D408,346 S *	4/1999	Goplen	D12/211
D409,968 S *	5/1999	Goplen	D12/211
D450,030 S *	11/2001	Pfeiffer	D12/211
D454,825 S *	3/2002	Amatino	D12/211
D471,144 S *	3/2003	Pfeiffer	D12/209
D471,852 S *	3/2003	Pfeiffer et al.	D12/211
D476,284 S *	6/2003	Pfeiffer et al.	D12/211
D484,446 S *	12/2003	Pfeiffer et al.	D12/211
D487,569 S *	3/2004	Laengerer	D12/211

D494,120 S *	8/2004	Pfeiffer	D12/209
D504,651 S *	5/2005	Johnson	D12/211
D507,775 S *	7/2005	Pfeiffer	D12/211
D510,307 S *	10/2005	Howes	D12/209
D512,360 S *	12/2005	Boyer	D12/211
D523,798 S *	6/2006	Szavits	D12/209
D525,185 S *	7/2006	Scheu	D12/211
D527,326 S *	8/2006	Pfeiffer	D12/209
D527,328 S *	8/2006	Pfeiffer	D12/211
D538,729 S *	3/2007	Pfeiffer	D12/209
D538,730 S *	3/2007	Thurner	D12/209
D546,747 S *	7/2007	Pfeiffer	D12/211
D554,573 S *	11/2007	Pfeiffer	D12/211

* cited by examiner

Primary Examiner—Cathron C Brooks

Assistant Examiner—Austin Murphy

(74) *Attorney, Agent, or Firm*—Crowell & Moring LLP

(57) **CLAIM**

The ornamental design for a front face of a vehicle wheel, as shown and described.

DESCRIPTION

FIG. 1 is a front view of a first embodiment of a front face of a vehicle wheel according to my design; and

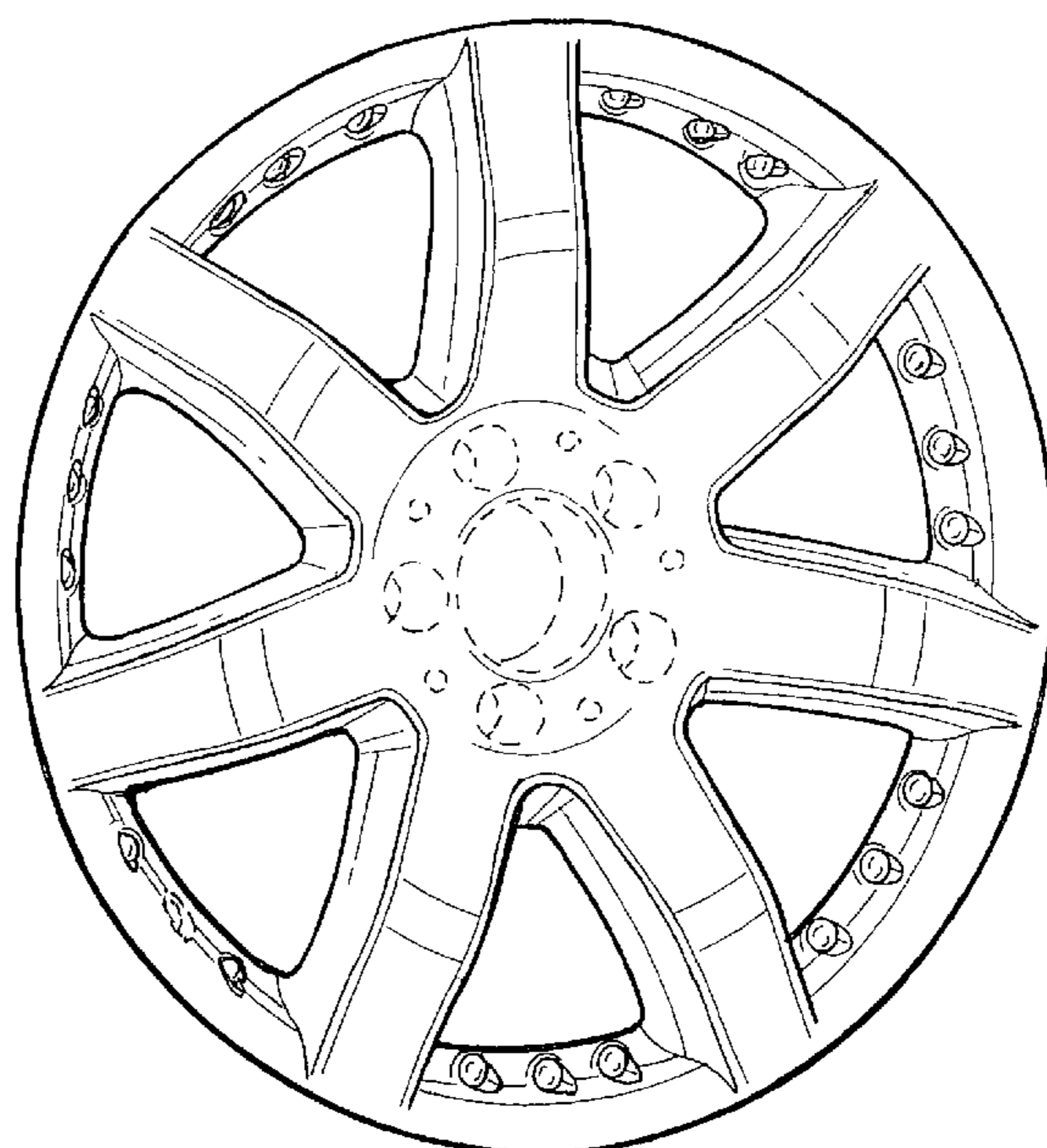
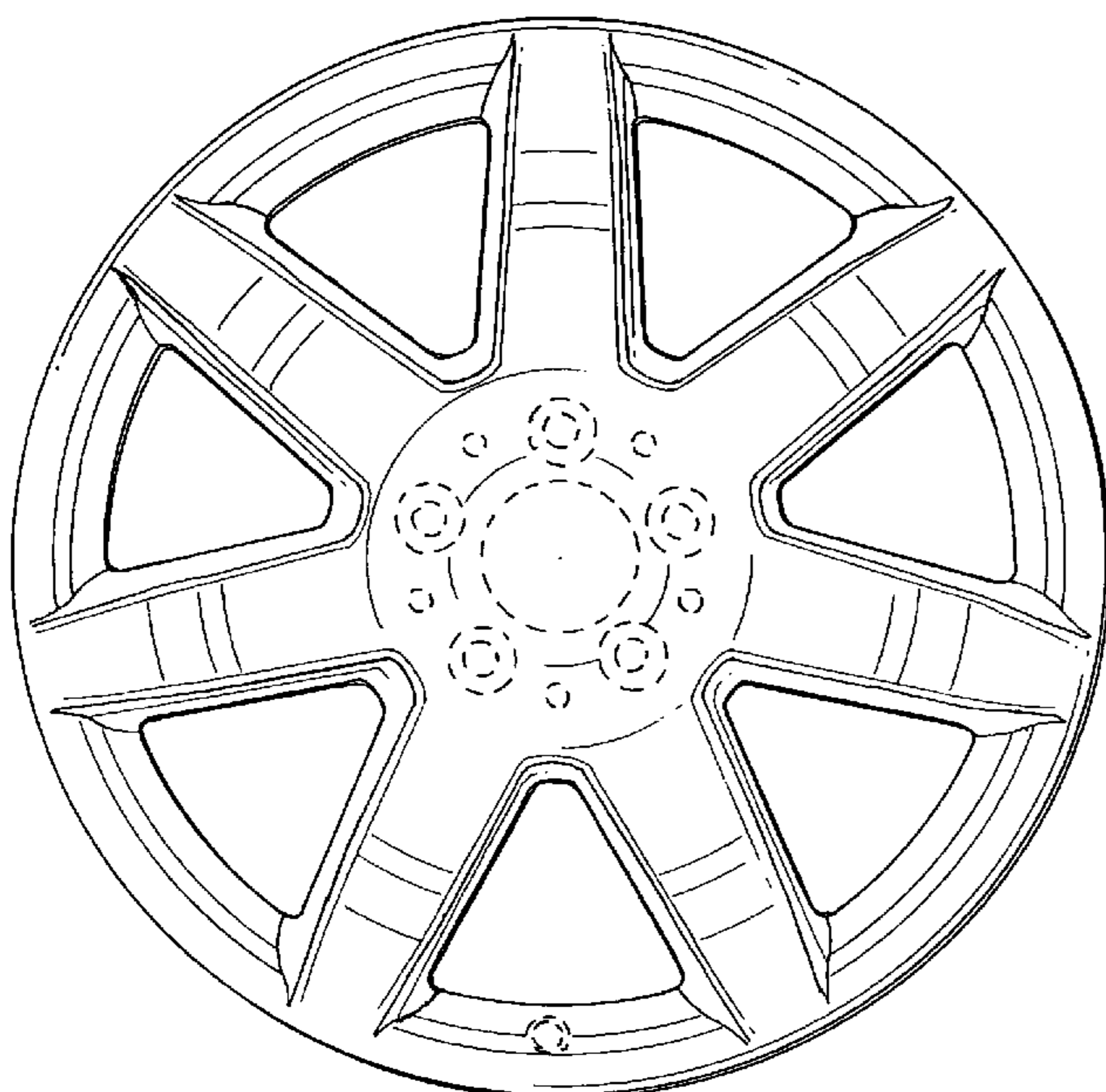
FIG. 2 is a perspective view thereof.

FIG. 3 is a front view of a second embodiment of the front face of a vehicle wheel according to my novel design; and,

FIG. 4 is a perspective view thereof.

The broken lines are for illustrative purposes only and form no part of the claimed design.

1 Claim, 2 Drawing Sheets



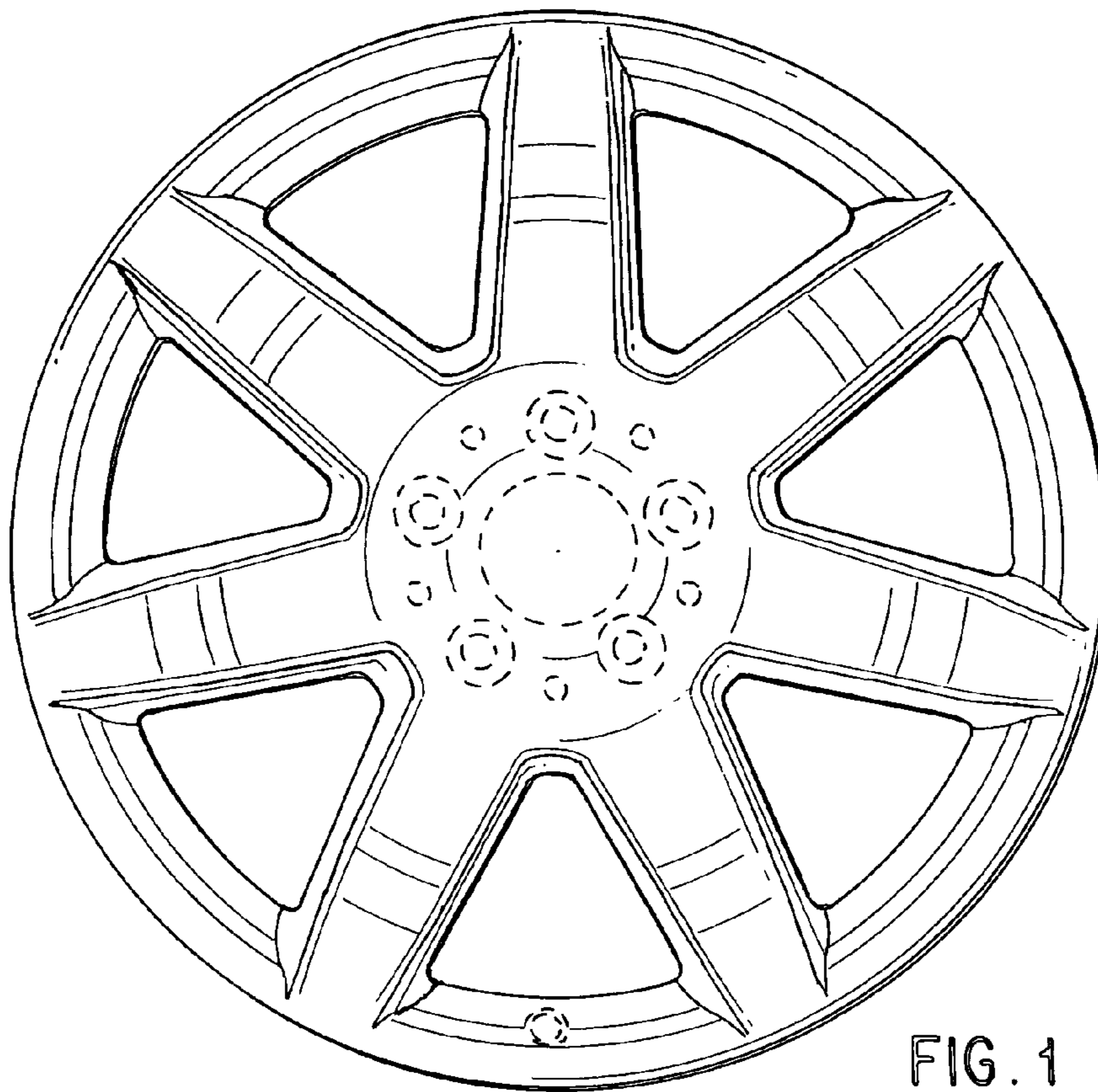


FIG. 1

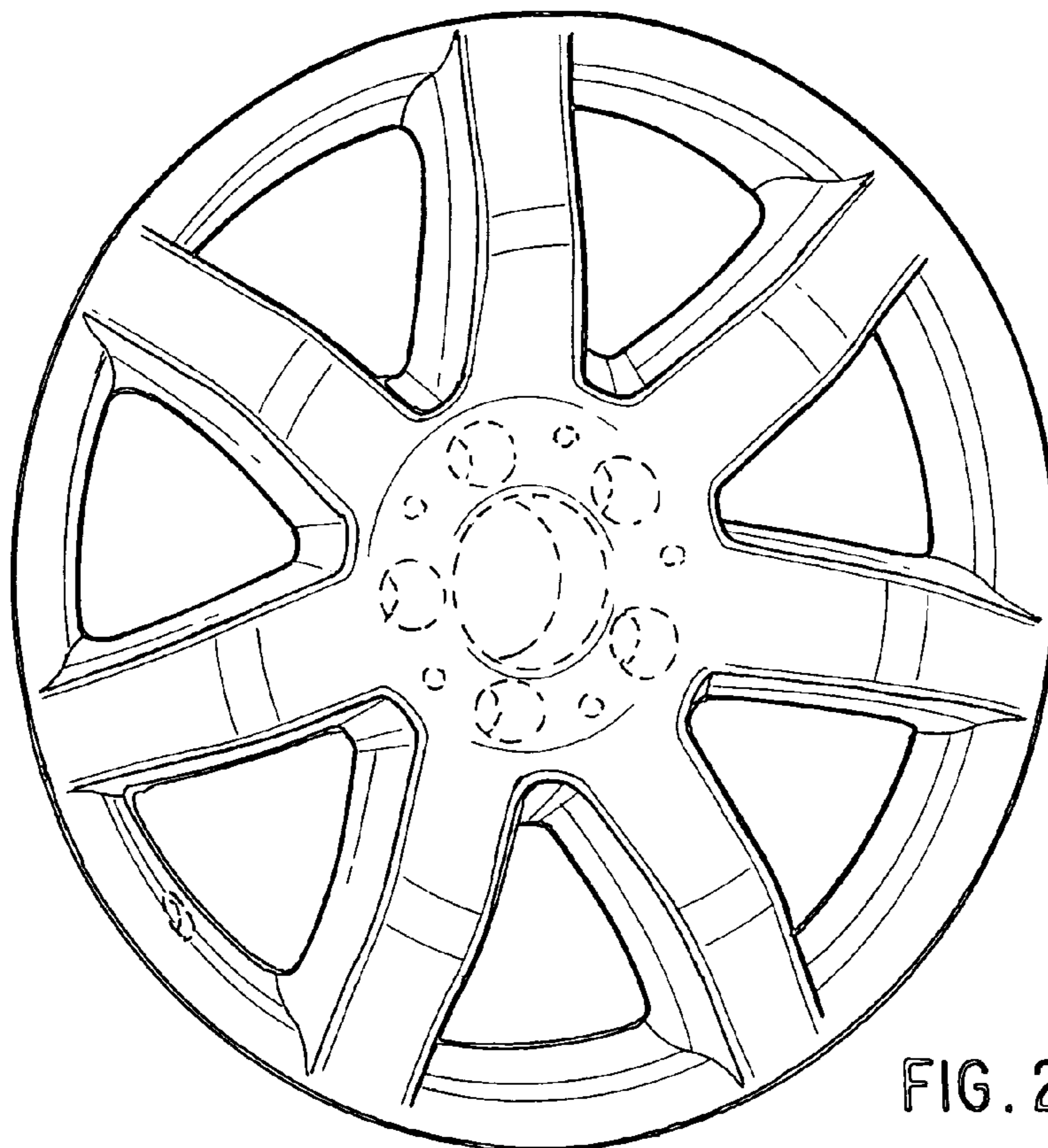


FIG. 2

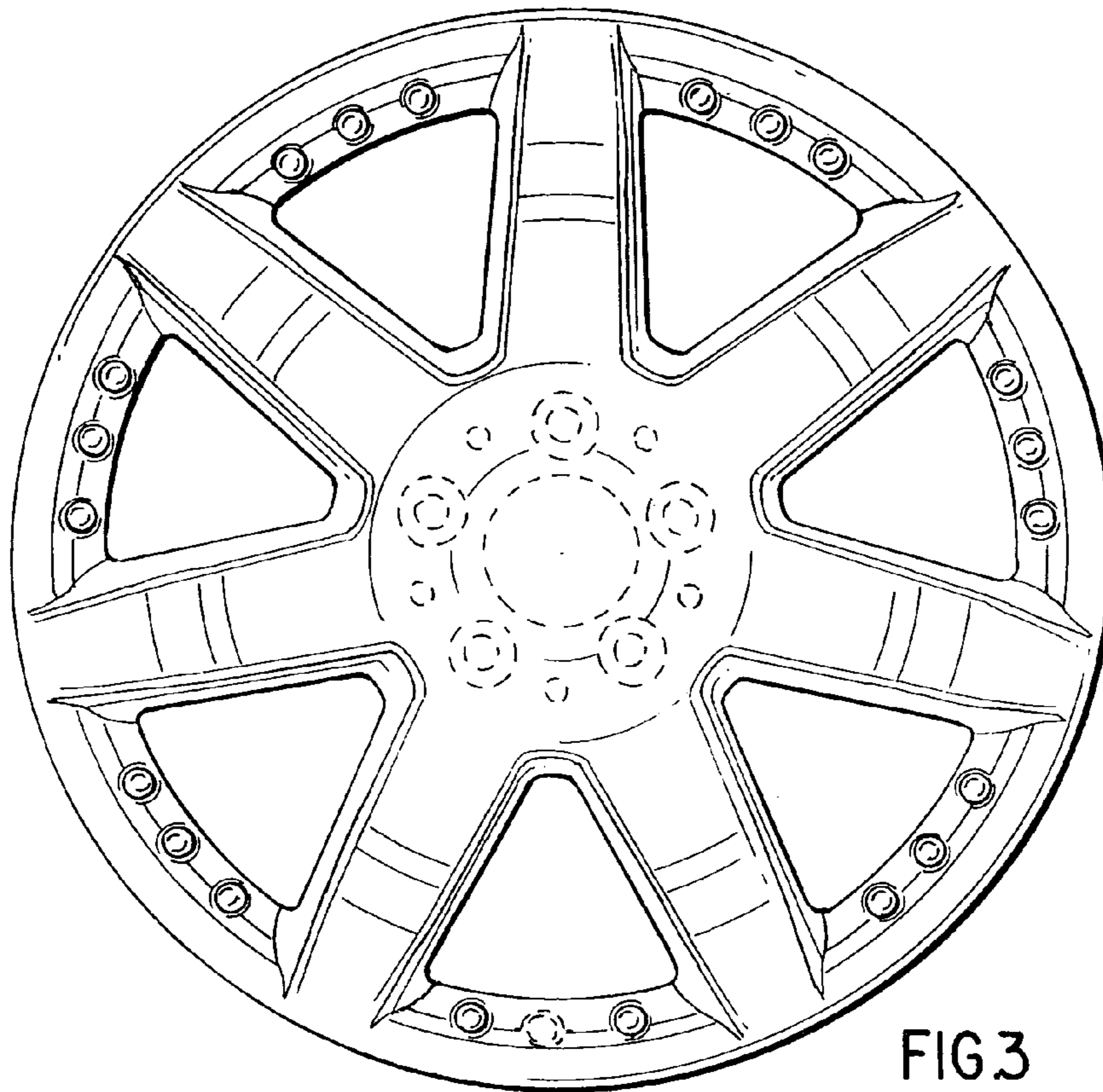


FIG. 3

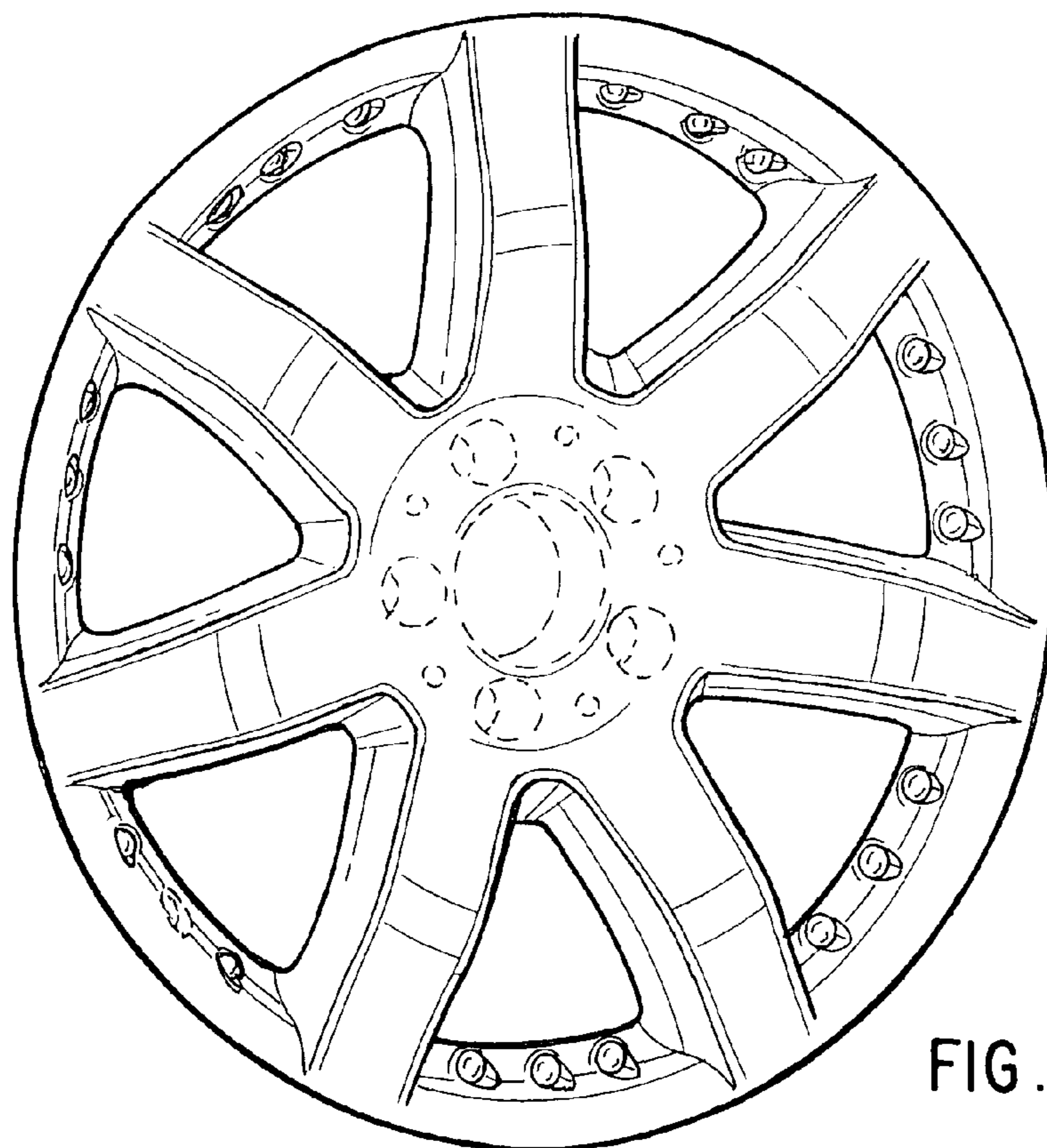


FIG. 4