



US00D587178S

(12) **United States Design Patent**
Pfeiffer

(10) **Patent No.:** **US D587,178 S**

(45) **Date of Patent:** **** Feb. 24, 2009**

(54) **FRONT FACE OF A VEHICLE WHEEL**

(75) Inventor: **Peter Pfeiffer**, Boeblingen (DE)

(73) Assignee: **Daimler AG**, Stuttgart (DE)

(**) Term: **14 Years**

(21) Appl. No.: **29/287,585**

(22) Filed: **Aug. 24, 2007**

(30) **Foreign Application Priority Data**

Feb. 26, 2007 (EM) 000677216-0001

(51) **LOC (9) Cl.** **12-16**

(52) **U.S. Cl.** **D12/209**

(58) **Field of Classification Search** D12/204-213;
301/37.101, 64.101, 65, 64.201

See application file for complete search history.

(56) **References Cited**

U.S. PATENT DOCUMENTS

D403,649 S *	1/1999	Moreno	D12/211
D477,266 S *	7/2003	Chung	D12/211
D480,672 S *	10/2003	Pfeiffer et al.	D12/209
D486,110 S *	2/2004	Elmitt	D12/211
D499,681 S *	12/2004	Boyer	D12/209
D503,915 S *	4/2005	Markefka	D12/209
D504,858 S *	5/2005	Pfeiffer	D12/209
D505,903 S *	6/2005	Nordmann	D12/209
D507,223 S *	7/2005	Szavits	D12/209
D516,487 S *	3/2006	Hettler	D12/209
D516,982 S *	3/2006	Gallert	D12/209
D520,433 S *	5/2006	Hosoi	D12/211
D522,949 S *	6/2006	Elmitt	D12/211

D528,060 S *	9/2006	Laengerer	D12/209
D529,429 S *	10/2006	Hsu	D12/209
D530,257 S *	10/2006	Pfeiffer	D12/211
D530,657 S *	10/2006	Pfeiffer	D12/211
D531,565 S *	11/2006	Pfeiffer	D12/211
D535,238 S *	1/2007	Kim	D12/209
D535,933 S *	1/2007	Markefka	D12/209
D536,294 S *	2/2007	Laengerer	D12/211
D551,150 S *	9/2007	Hueller	D12/211
D555,566 S *	11/2007	Hlinovsky	D12/209
D574,310 S *	8/2008	Huet	D12/209
D575,718 S *	8/2008	Pfeiffer	D12/211
D580,334 S *	11/2008	Blasi	D12/211

* cited by examiner

Primary Examiner—Cathron C Brooks

Assistant Examiner—Austin Murphy

(74) *Attorney, Agent, or Firm*—Crowell & Moring LLP

(57) **CLAIM**

The ornamental design for a front face of a vehicle wheel, as shown and described.

DESCRIPTION

FIG. 1 is a front view of a first embodiment of a front face of a vehicle wheel according to my design; and

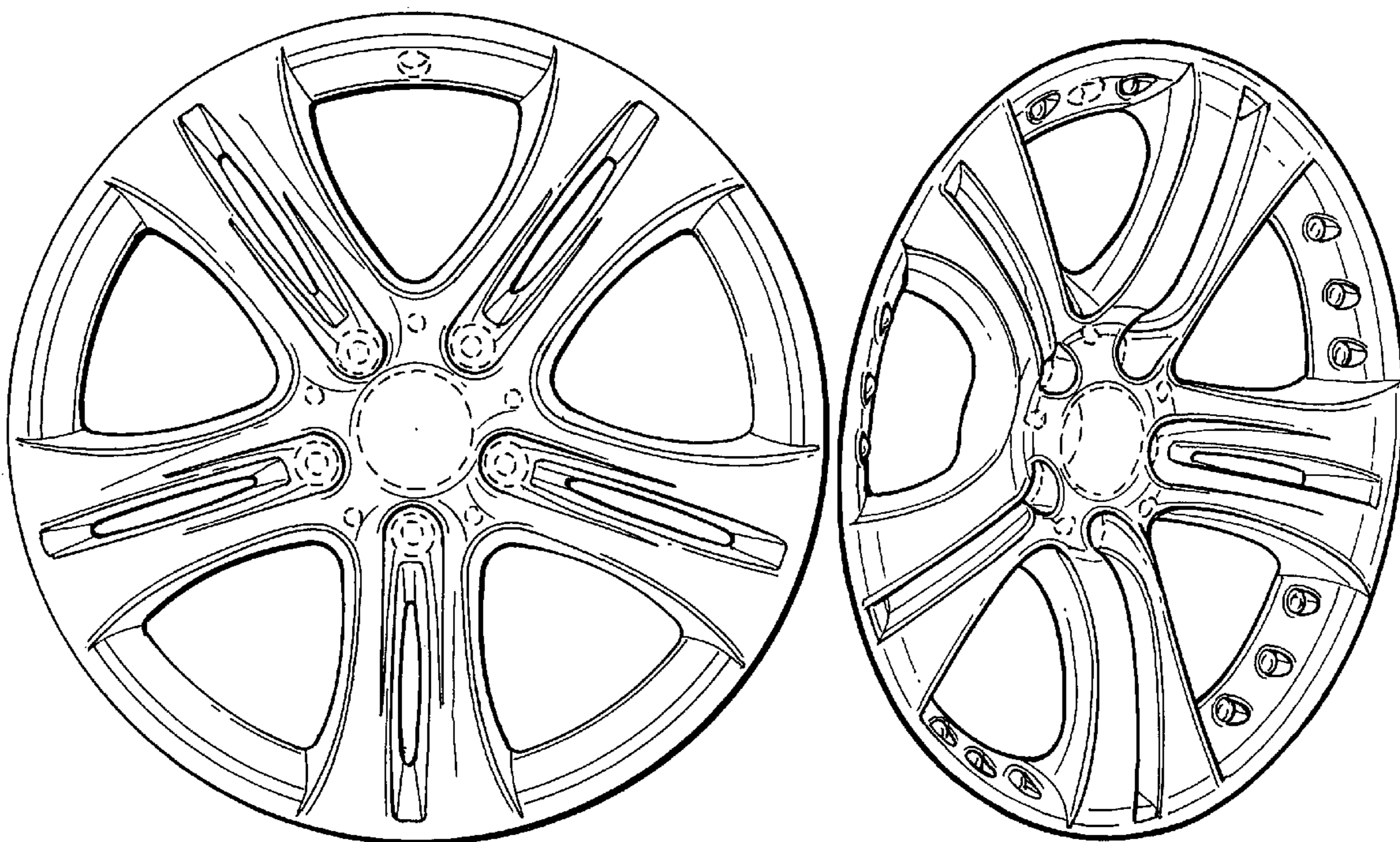
FIG. 2 is a perspective view thereof.

FIG. 3 is a front view of a second embodiment of the front face of a vehicle wheel according to my design; and,

FIG. 4 is a perspective view thereof.

The broken lines are for illustrative purposes only and form no part of the claimed design.

1 Claim, 2 Drawing Sheets



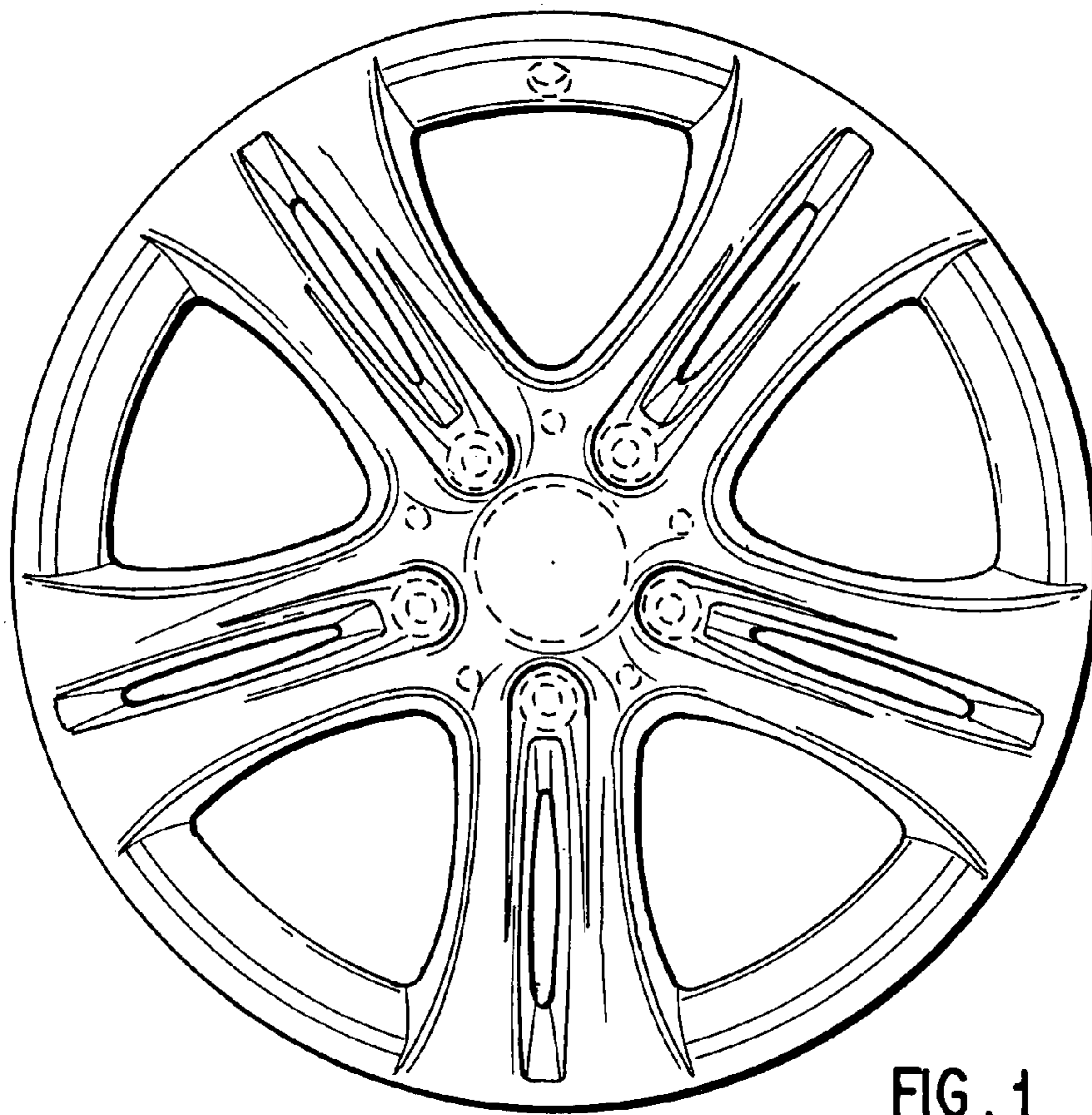


FIG. 1

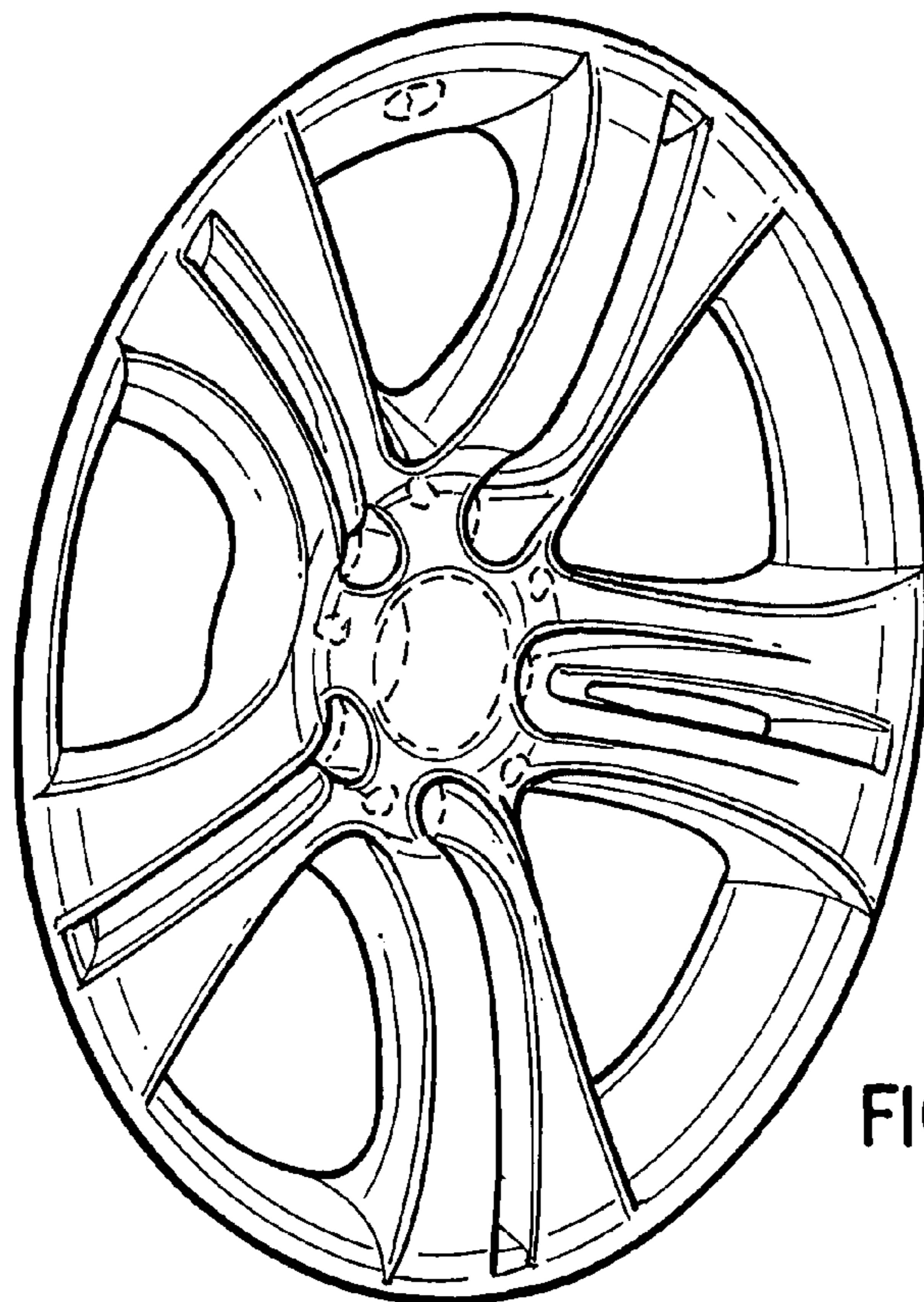


FIG. 2

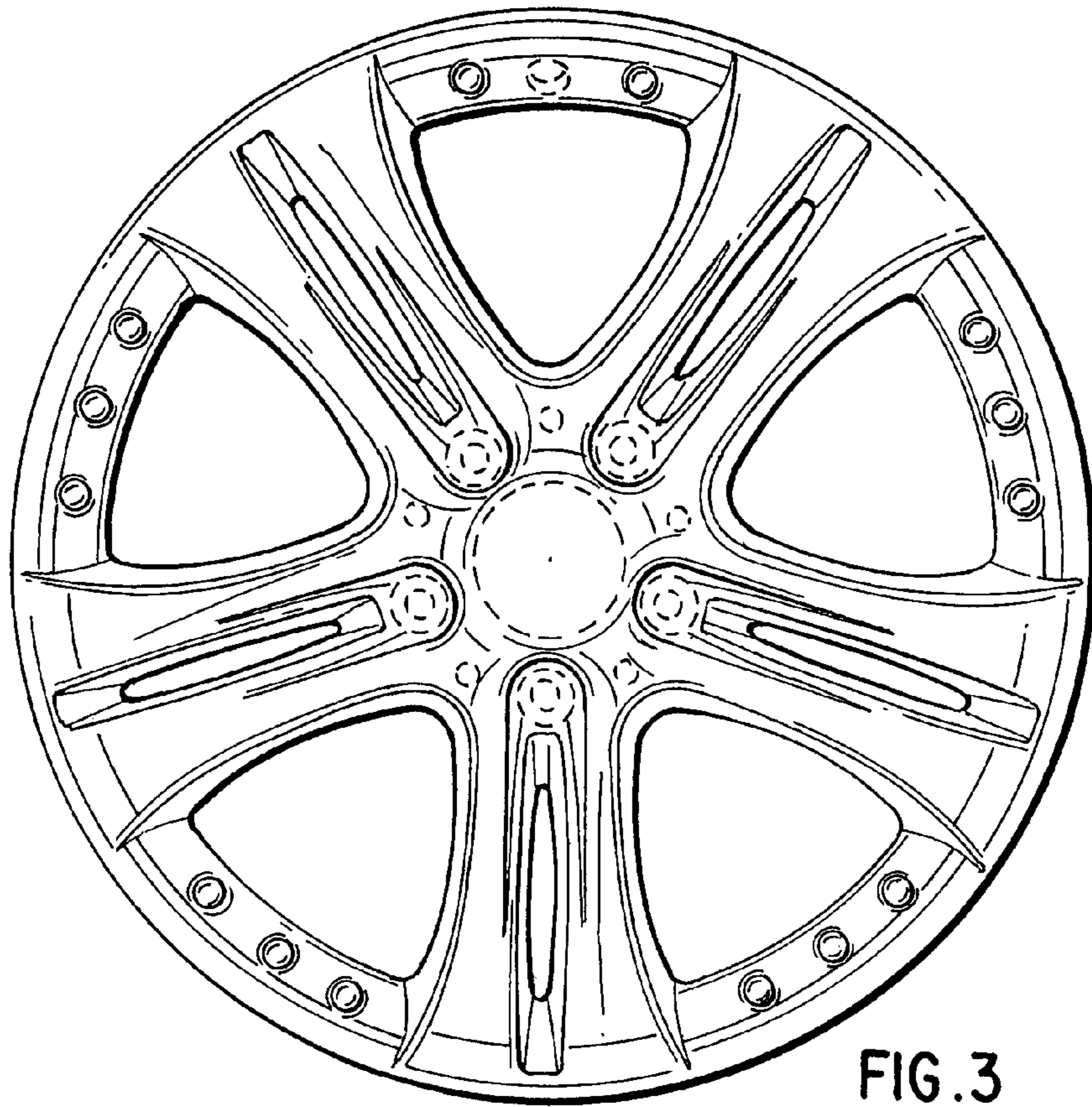


FIG. 3

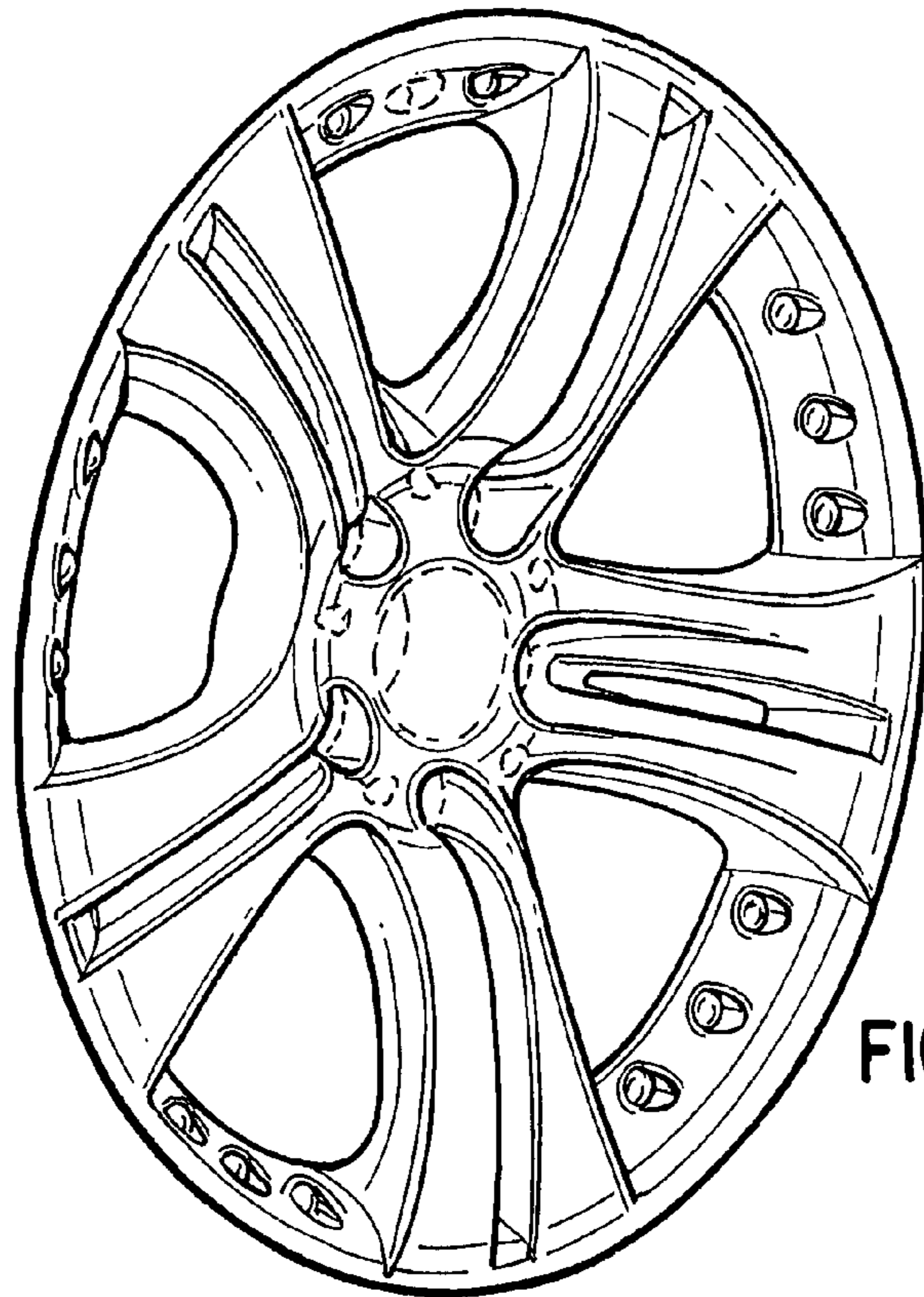


FIG. 4