



US00D587177S

(12) **United States Design Patent**
Scheu

(10) **Patent No.:** **US D587,177 S**

(45) **Date of Patent:** **** Feb. 24, 2009**

(54) **FRONT FACE OF A VEHICLE WHEEL**

(75) Inventor: **Armin Scheu**, Stuttgart (DE)

(73) Assignee: **Daimler AG**, Stuttgart (DE)

(**) Term: **14 Years**

(21) Appl. No.: **29/287,420**

(22) Filed: **Aug. 6, 2007**

(30) **Foreign Application Priority Data**

Feb. 7, 2007 (EM) 000665286-0001

(51) **LOC (9) Cl.** **12-16**

(52) **U.S. Cl.** **D12/209**

(58) **Field of Classification Search** D12/204-213;
301/37.101, 64.101, 65, 64.201

See application file for complete search history.

(56) **References Cited**

U.S. PATENT DOCUMENTS

D437,819 S *	2/2001	Brown et al.	D12/209
D469,048 S *	1/2003	van Hooydonk	D12/209
D477,262 S *	7/2003	Koch	D12/209
D481,342 S *	10/2003	Kang	D12/209
D486,110 S *	2/2004	Elmitt	D12/211
D487,046 S *	2/2004	Yamagishi	D12/209
D505,371 S *	5/2005	Hueller	D12/209
D516,002 S *	2/2006	Fahr-Becker	D12/211
D516,487 S *	3/2006	Hettler	D12/209
D516,982 S *	3/2006	Gallert	D12/209
D522,949 S *	6/2006	Elmitt	D12/211
D524,220 S *	7/2006	Scheu	D12/211
D526,267 S *	8/2006	Looho	D12/211

D528,060 S *	9/2006	Laengerer	D12/209
D530,253 S *	10/2006	Coutts	D12/209
D530,257 S *	10/2006	Pfeiffer	D12/211
D530,657 S *	10/2006	Pfeiffer	D12/211
D531,565 S *	11/2006	Pfeiffer	D12/211
D533,826 S *	12/2006	Scheu	D12/211
D535,238 S *	1/2007	Kim	D12/209
D538,216 S *	3/2007	Sycha	D12/209
D565,490 S *	4/2008	Tirado	D12/209
D574,310 S *	8/2008	Huet	D12/209
D575,718 S *	8/2008	Pfeiffer	D12/211
D580,333 S *	11/2008	Gallert	D12/209
D580,334 S *	11/2008	Blasi	D12/211

* cited by examiner

Primary Examiner—Cathron C Brooks

Assistant Examiner—Austin Murphy

(74) *Attorney, Agent, or Firm*—Crowell & Moring LLP

(57) **CLAIM**

The ornamental design for a front face of a vehicle wheel, as shown and described.

DESCRIPTION

FIG. 1 is a front view of a first embodiment of a front face of a vehicle wheel according to my design; and

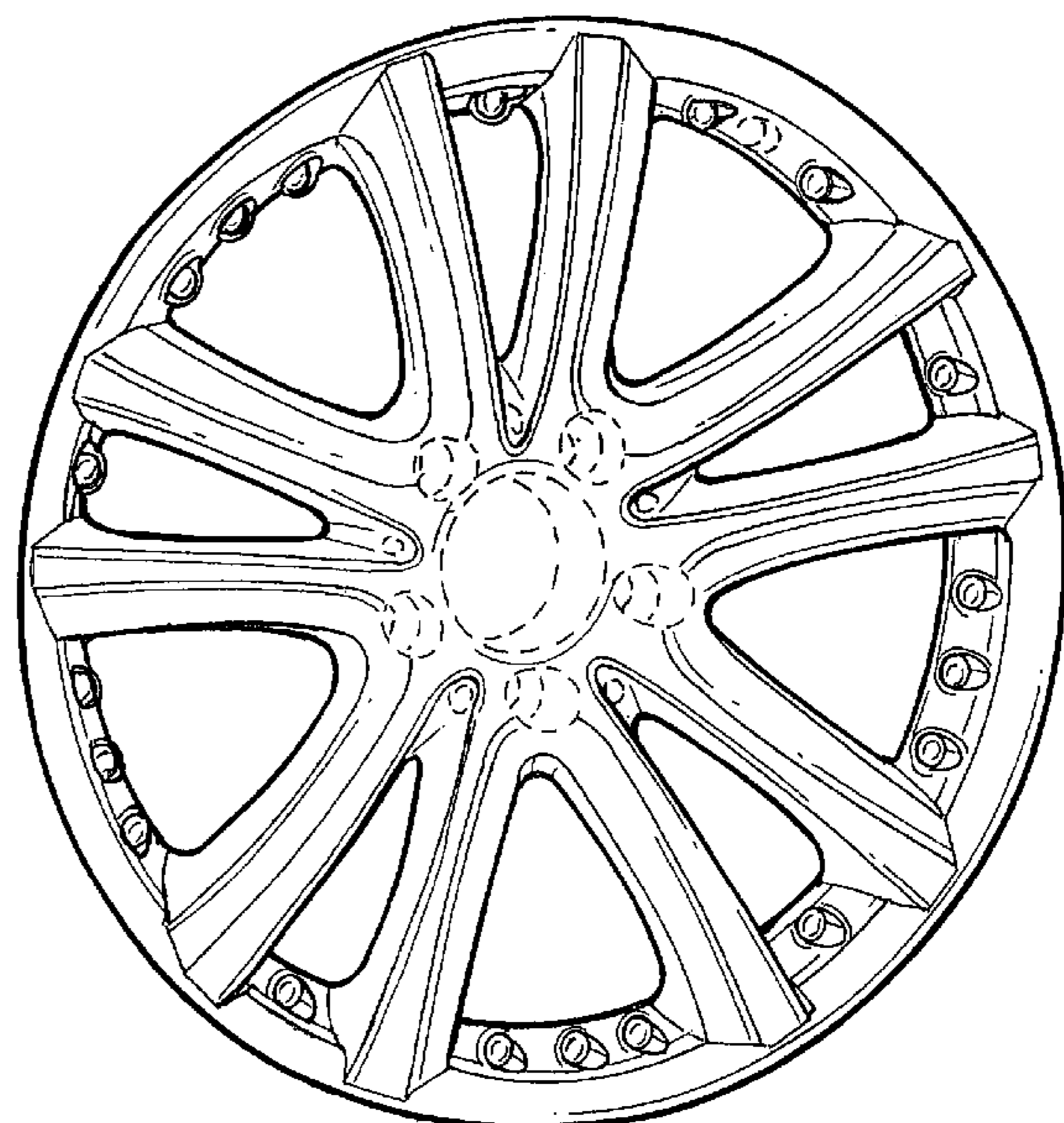
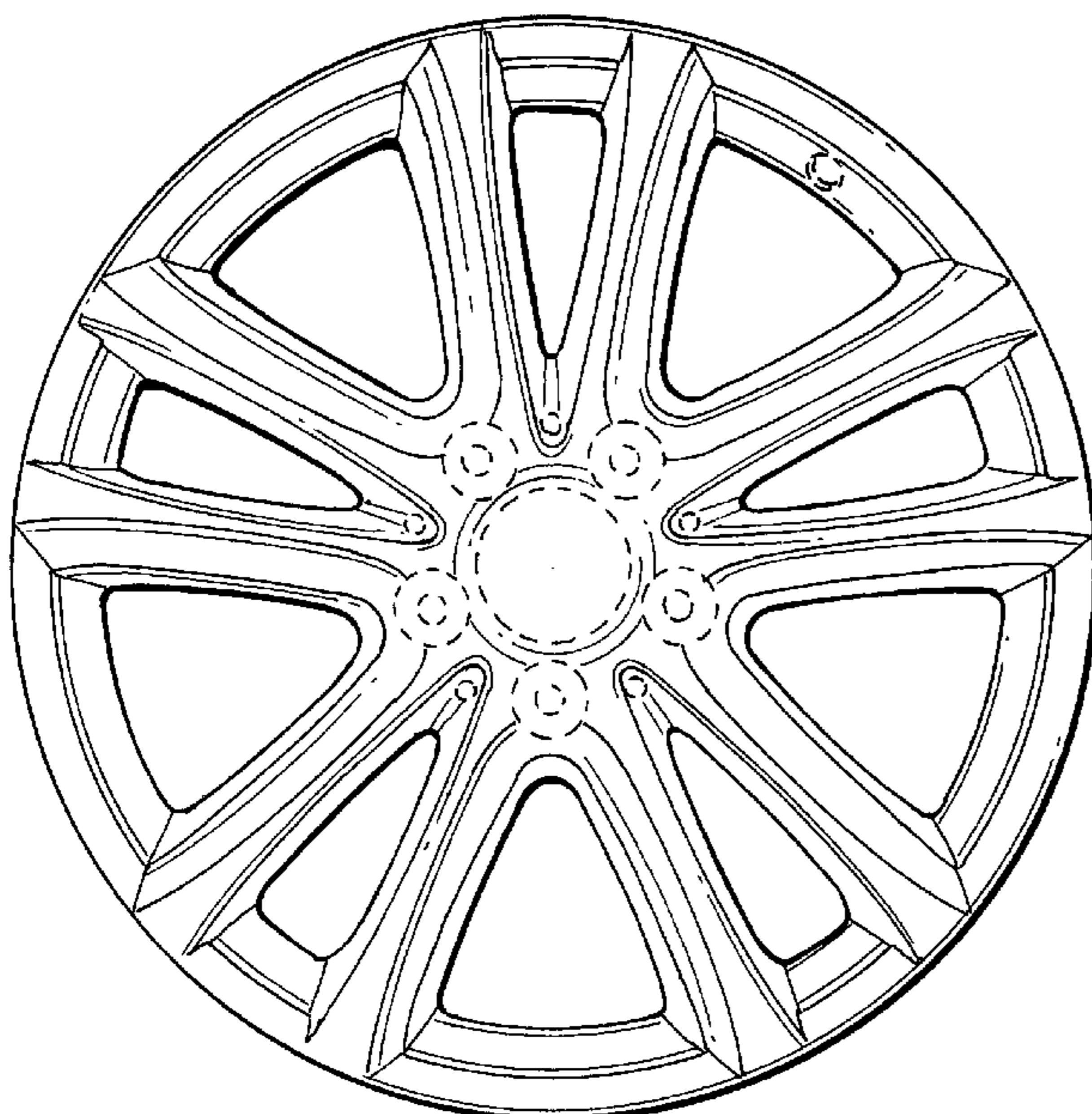
FIG. 2 is a perspective view thereof.

FIG. 3 is a front view of a second embodiment of the front face of a vehicle wheel according to my novel design; and,

FIG. 4 is a perspective view thereof.

The broken lines are for illustrative purposes only and form no part of the claimed design.

1 Claim, 2 Drawing Sheets



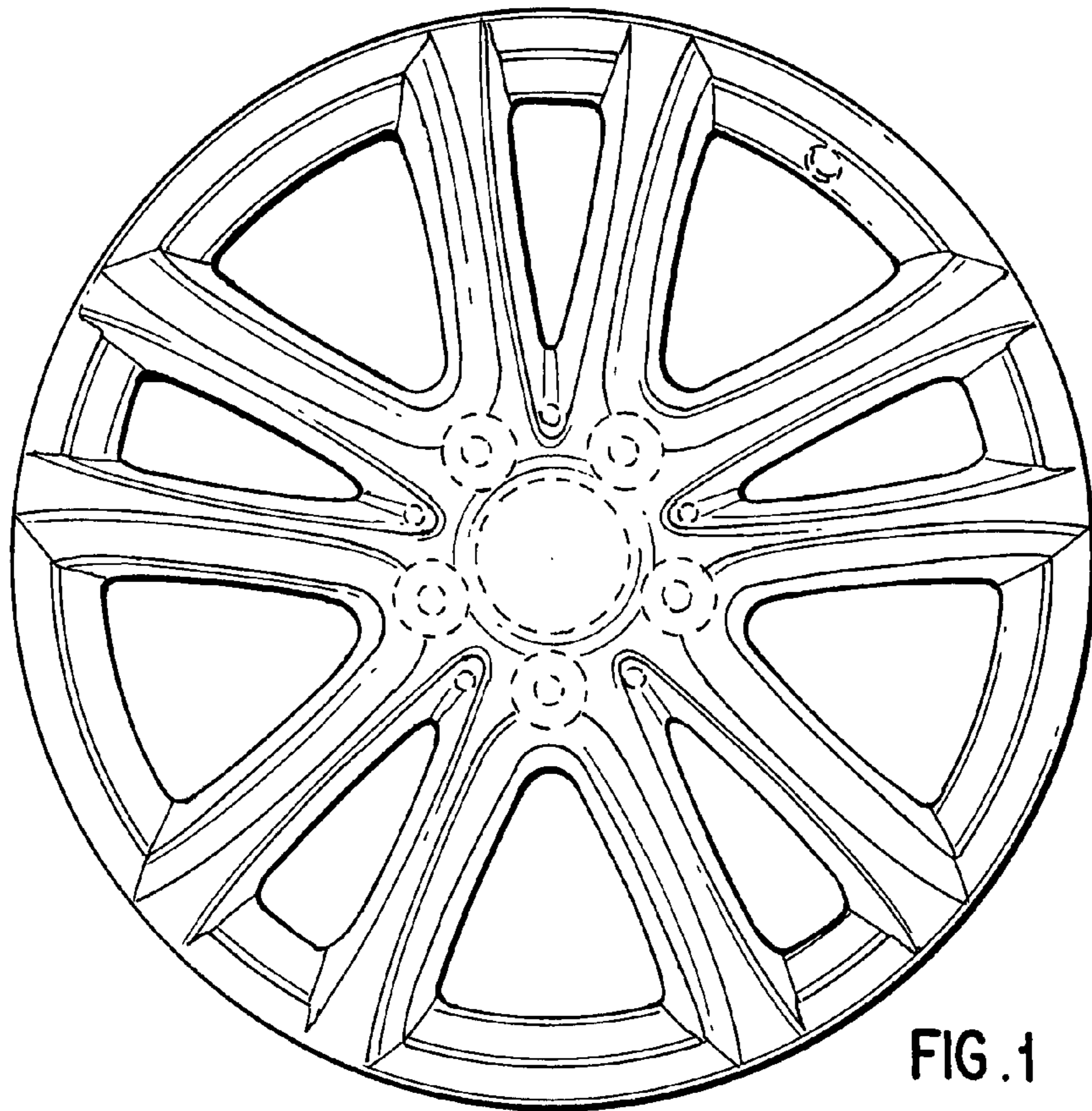


FIG. 1

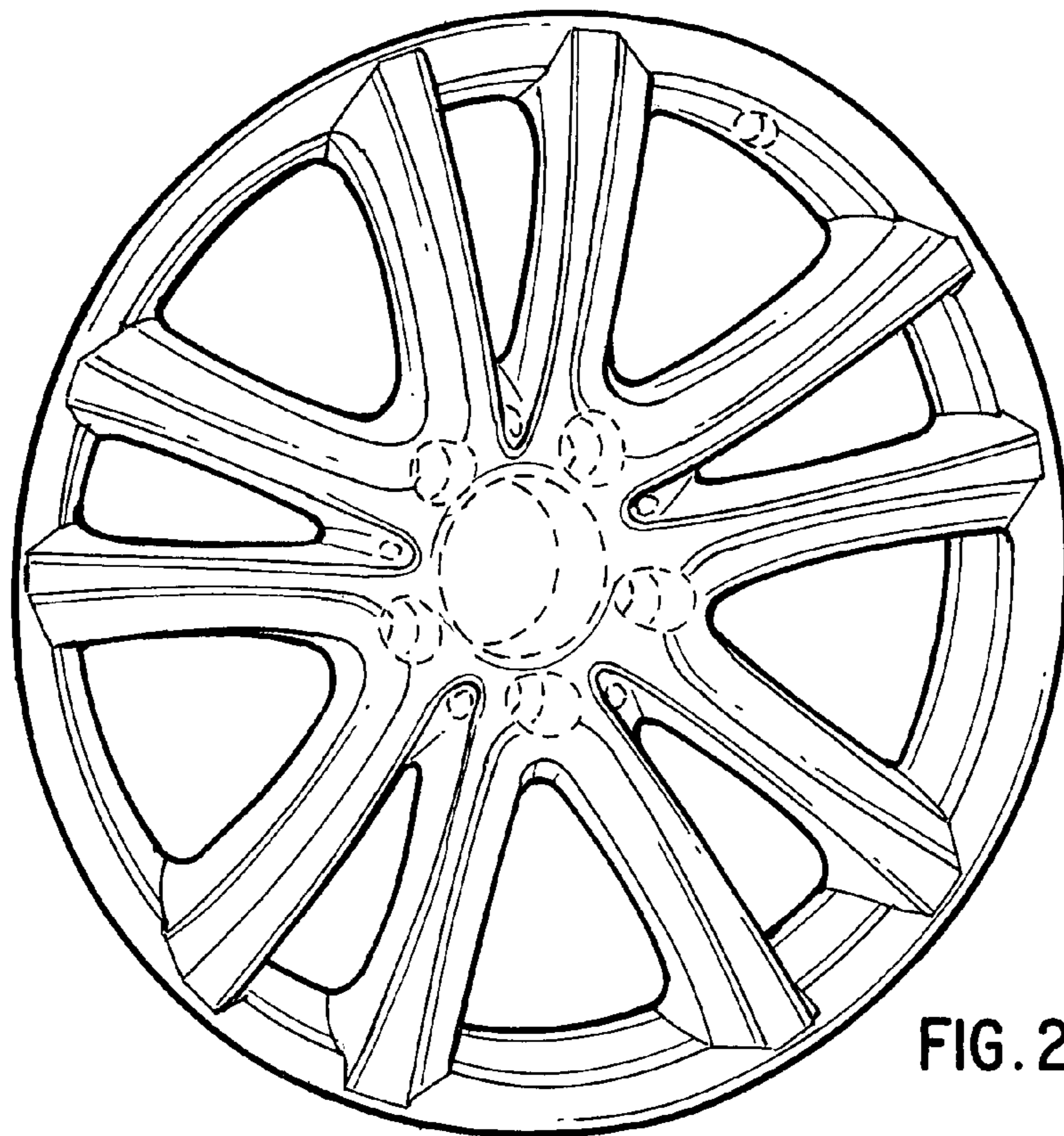


FIG. 2

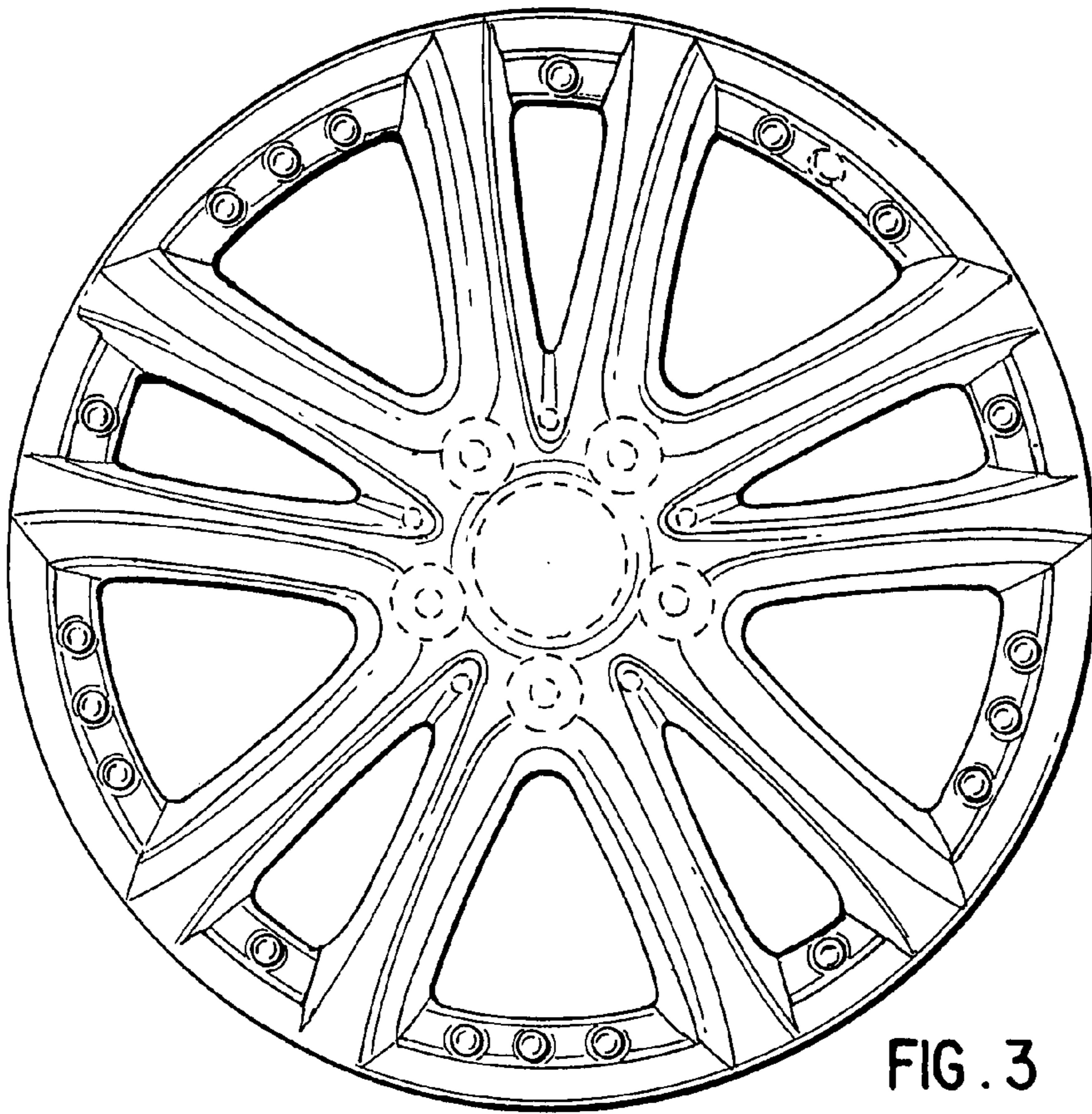


FIG. 3

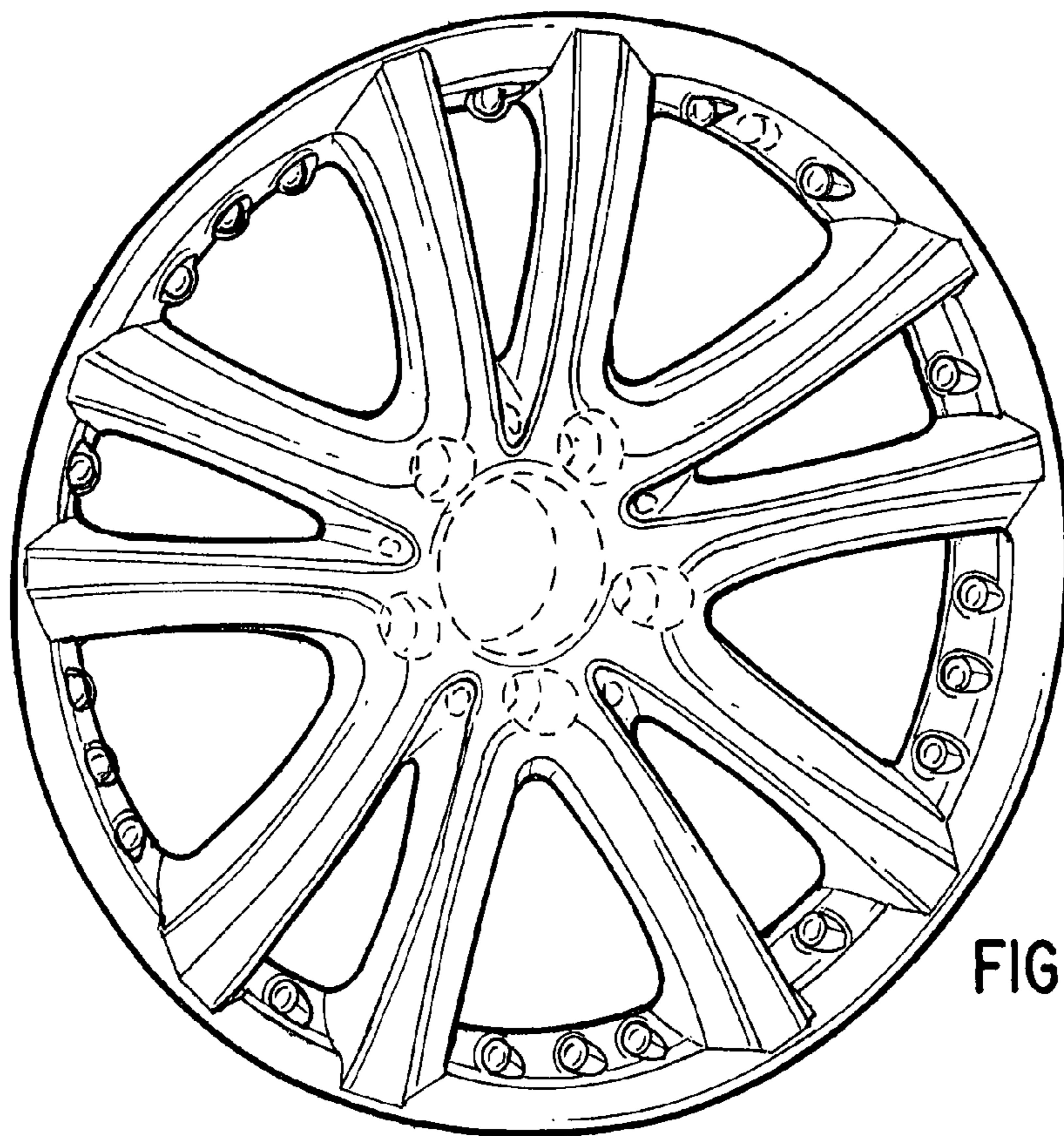


FIG. 4