



US00D587174S

(12) **United States Design Patent**  
**Spearman-Oxx et al.**

(10) **Patent No.:** **US D587,174 S**

(45) **Date of Patent:** **\*\* Feb. 24, 2009**

(54) **VEHICLE GRILLE**

D532,723 S \* 11/2006 Schiavone et al. .... D12/163

D535,589 S \* 1/2007 Lau et al. .... D12/163

D539,195 S \* 3/2007 Shimoguchi et al. .... D12/163

(75) Inventors: **Simon Spearman-Oxx**, Kent (GB);  
**Ehab Kaoud**, Canton, MI (US)

(73) Assignee: **Ford Global Technologies, LLC**,  
Dearborn, MI (US)

\* cited by examiner

*Primary Examiner*—Melody N. Brown

(74) *Attorney, Agent, or Firm*—Damian Porcari

(\*\*) Term: **14 Years**

(21) Appl. No.: **29/283,827**

(57) **CLAIM**

(22) Filed: **Aug. 24, 2007**

We claim the ornamental design for a vehicle grille, as shown and described.

**Related U.S. Application Data**

(62) Division of application No. 29/246,054, filed on Jan. 13, 2006.

**DESCRIPTION**

(51) **LOC (9) Cl.** ..... **12-16**

FIG. 1 is a perspective view of a vehicle grille;

(52) **U.S. Cl.** ..... **D12/163**

FIG. 2 is a front elevational view of the vehicle grille;

(58) **Field of Classification Search** ..... D12/163,

FIG. 3 is a right side elevational view of the vehicle grille;

D12/171, 90-92, 216, 169, 196; 180/68.1,

FIG. 4 is a left side elevational view of the vehicle grille;

180/68.6; 296/193.11; 293/102, 113, 115

FIG. 5 is a top plan view of the vehicle grille; and,

See application file for complete search history.

FIG. 6 is a bottom plan view of the vehicle grille.

Shading is used to illustrate the curvature of the part and not color.

(56) **References Cited**

**U.S. PATENT DOCUMENTS**

D521,903 S \* 5/2006 Matei et al. .... D12/91

**1 Claim, 6 Drawing Sheets**



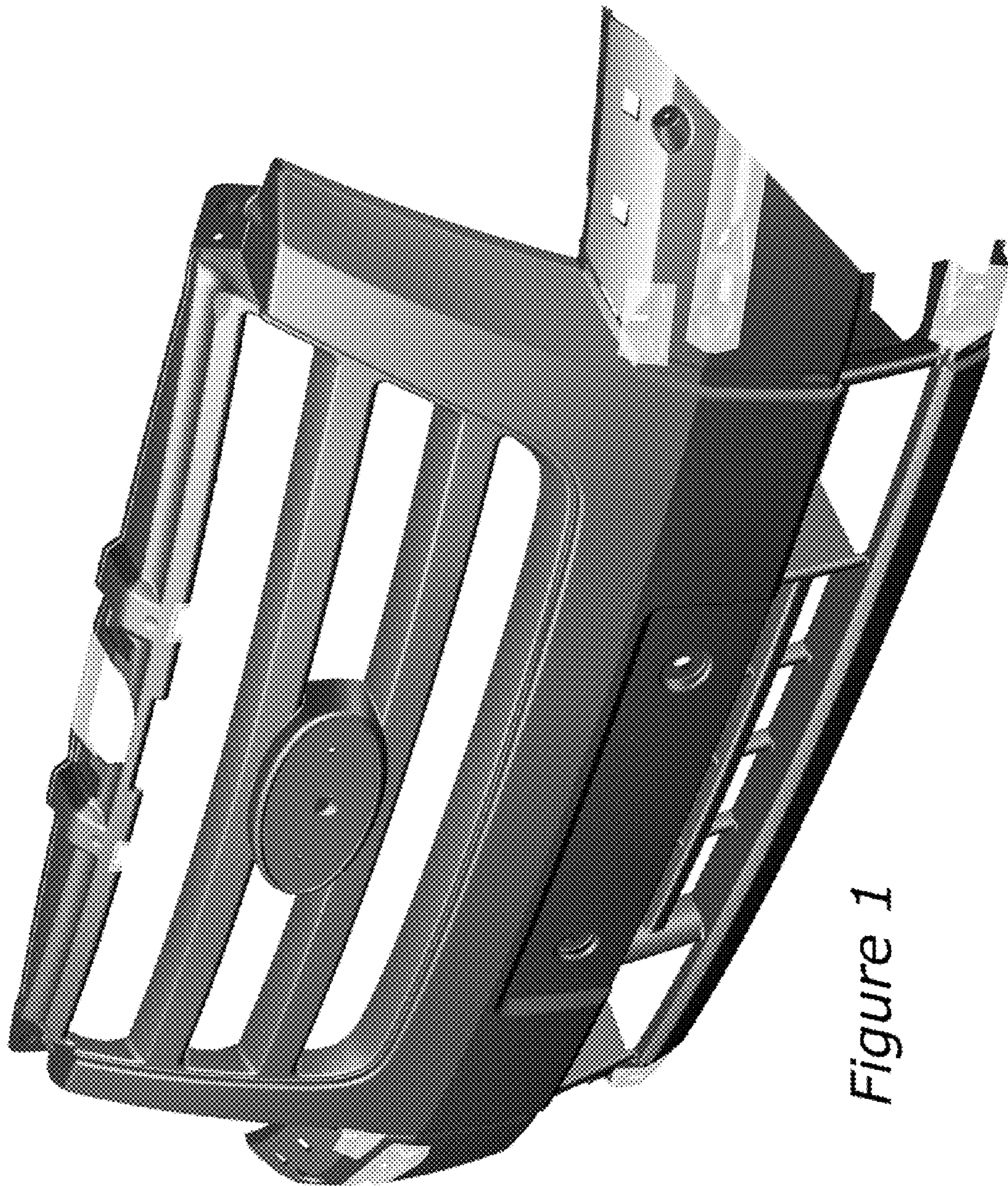
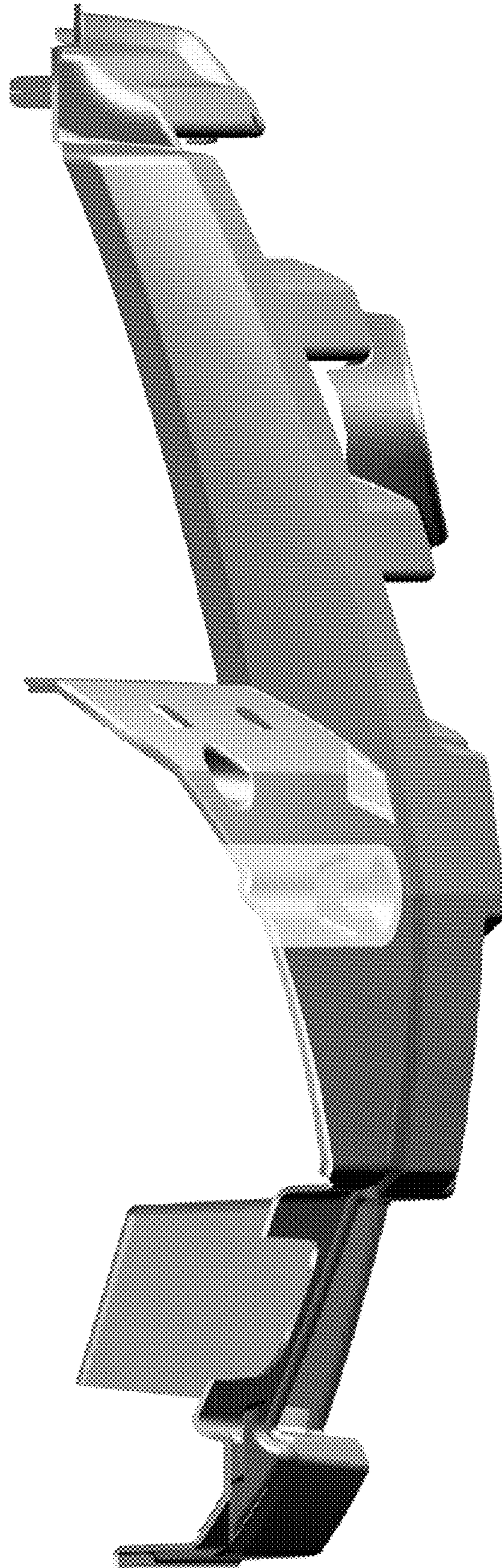


Figure 1

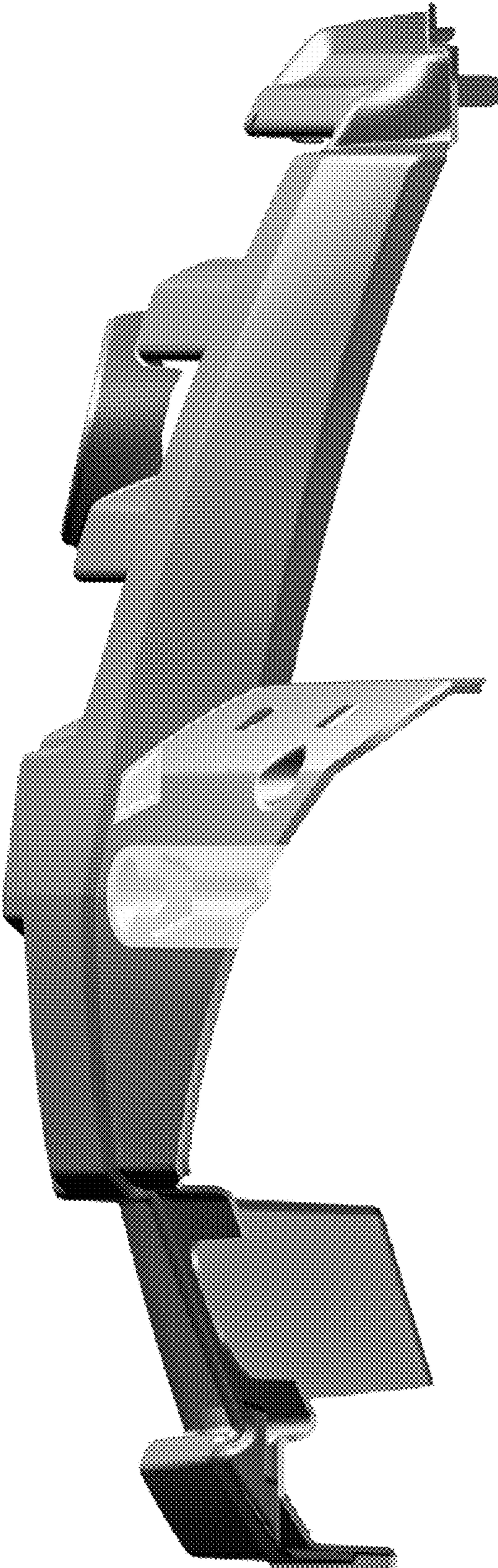


Figure 2



*Figure 3*

Figure 4



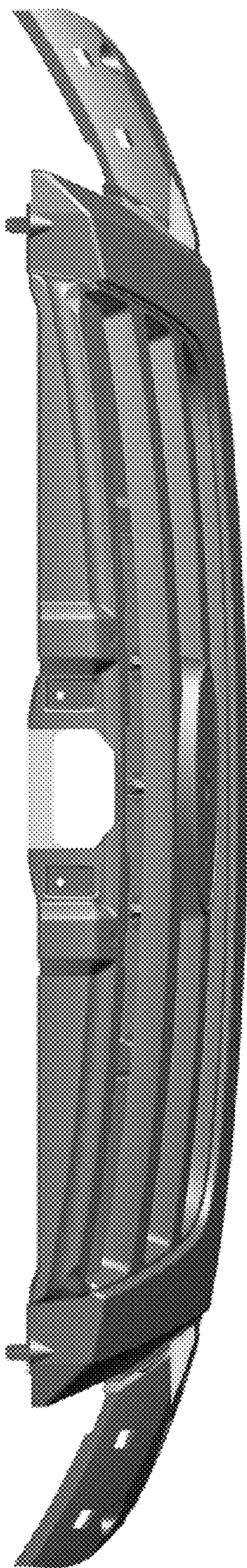


Figure 5

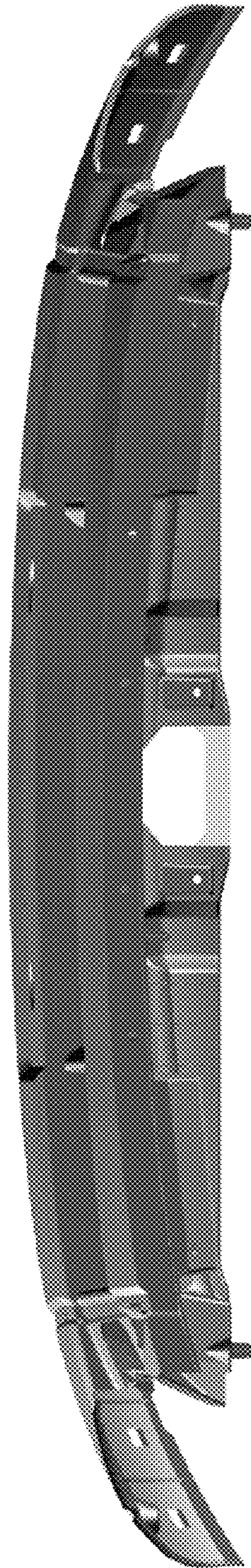


Figure 6