



US00D587172S

(12) **United States Design Patent**
Buckan et al.

(10) **Patent No.:** **US D587,172 S**
(45) **Date of Patent:** **** Feb. 24, 2009**

(54) **MOTORCYCLE, TOY, OR MOTORCYCLE
REPLICA**

D519,883 S * 5/2006 Robb D12/110
D531,089 S * 10/2006 Heinrich et al. D12/110
D549,617 S * 8/2007 Robb D12/110

(75) Inventors: **Alexander Buckan**, Groebenzell (DE);
Edgar Heinrich, Freising (DE)

* cited by examiner

(73) Assignee: **Bayerische Motoren Werke
Aktiengesellschaft**, Munich (DE)

Primary Examiner—Cathron C Brooks

Assistant Examiner—Linda Brooks

(74) *Attorney, Agent, or Firm*—Crowell & Moring LLP

(**) Term: **14 Years**

(57) **CLAIM**

(21) Appl. No.: **29/290,338**

The ornamental design for a motorcycle, toy, or motorcycle replica, as shown and described.

(22) Filed: **Nov. 21, 2007**

(30) **Foreign Application Priority Data**

May 24, 2007 (DE) 4 07 02 799

DESCRIPTION

(51) **LOC (9) Cl.** **12-11**

This application is related to the following co-pending application: Application Ser. No. 29/290,883, filed Jan. 25, 2008, entitled "Motorcycle, Toy, or Motorcycle Replica."

(52) **U.S. Cl.** **D12/110**

FIG. 1 is a left, front perspective view of a motorcycle, toy, or motorcycle replica according to our novel design;

(58) **Field of Classification Search** D12/110;
180/219, 220, 225, 229, 227; D21/432, 538;
446/440; 280/827, 828

FIG. 2 is a left, rear perspective view thereof;

See application file for complete search history.

FIG. 3 is a right, front perspective view thereof;

(56) **References Cited**

U.S. PATENT DOCUMENTS

D378,204 S * 2/1997 Heinrich et al. D12/110
D380,989 S * 7/1997 Abe et al. D12/110
D382,835 S * 8/1997 Abe et al. D12/110
D400,605 S * 11/1998 Rodriguez Ferre D12/110
D406,801 S * 3/1999 Robb et al. D12/110
D422,244 S * 4/2000 Heinrich et al. D12/110
D437,262 S * 2/2001 Robb et al. D12/110
D444,103 S * 6/2001 Robb et al. D12/110
D455,373 S * 4/2002 Robb et al. D12/110
D500,463 S * 1/2005 Heinrich et al. D12/110

FIG. 4 is a right, rear perspective view thereof;

FIG. 5 is a left side view thereof;

FIG. 6 is a right side view thereof;

FIG. 7 is a front view thereof;

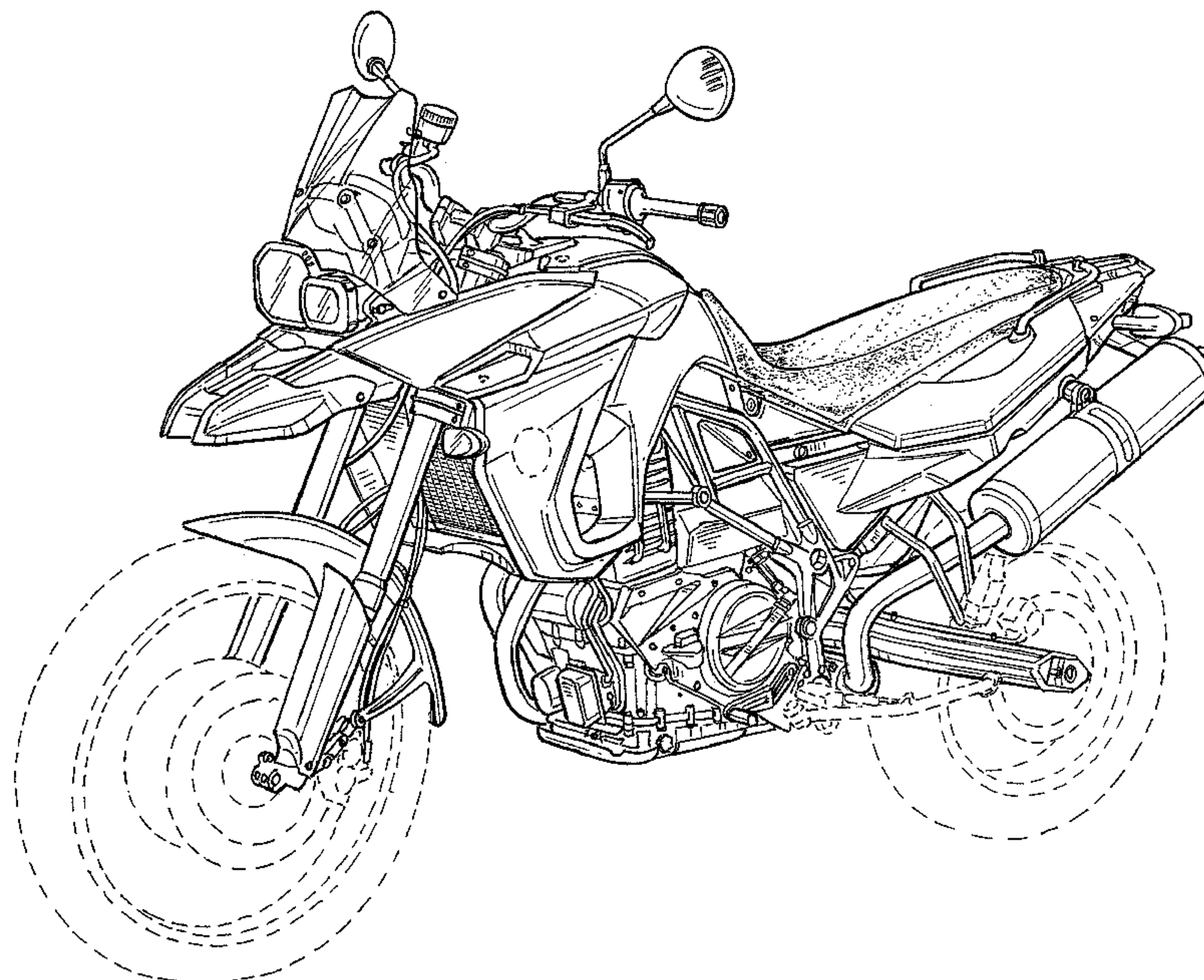
FIG. 8 is a rear view thereof;

FIG. 9 is a top view thereof; and,

FIG. 10 is a bottom view thereof.

The portions of the motorcycle, toy, or motorcycle replica shown in broken lines form no part of the claimed design.

1 Claim, 10 Drawing Sheets



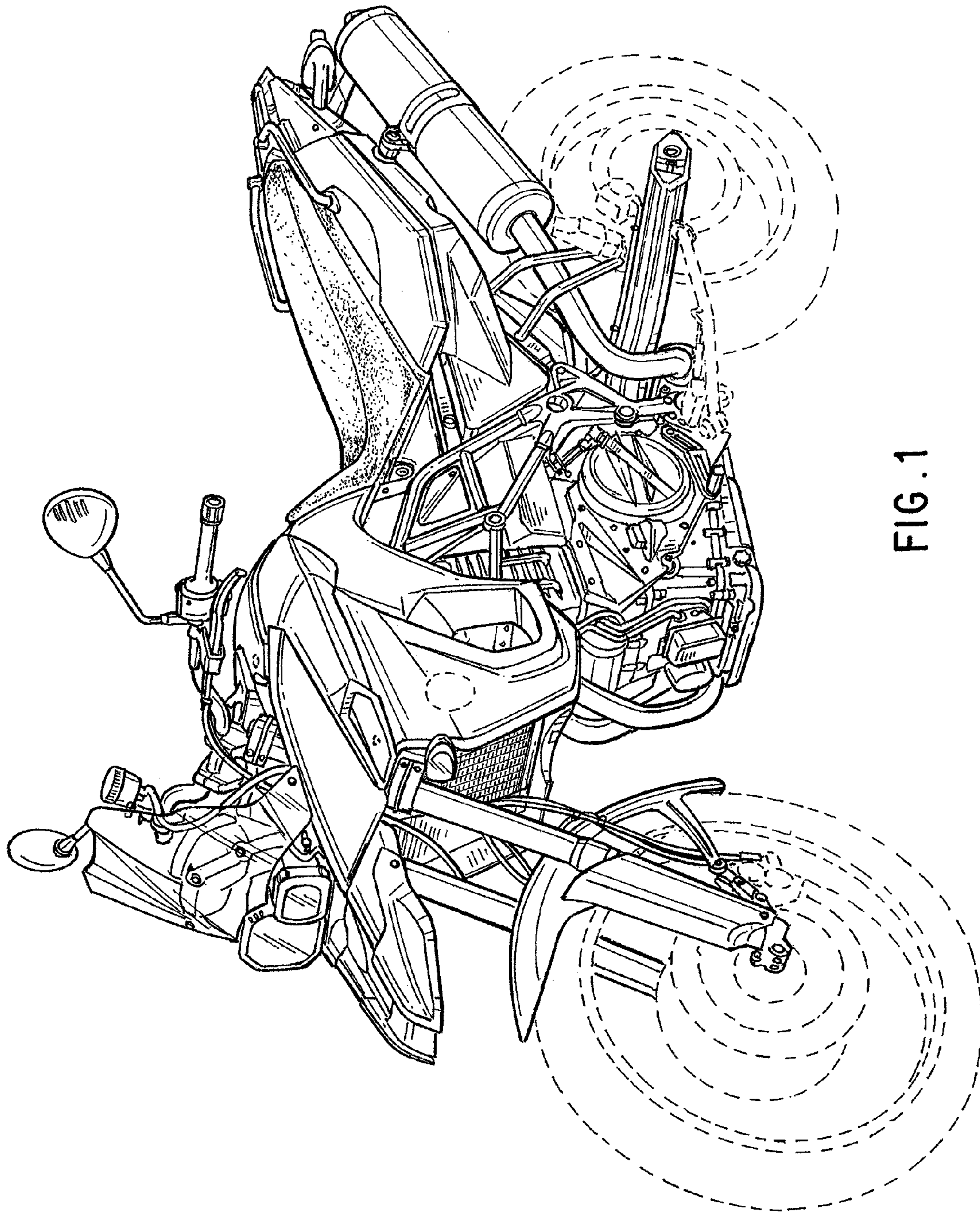


FIG. 1

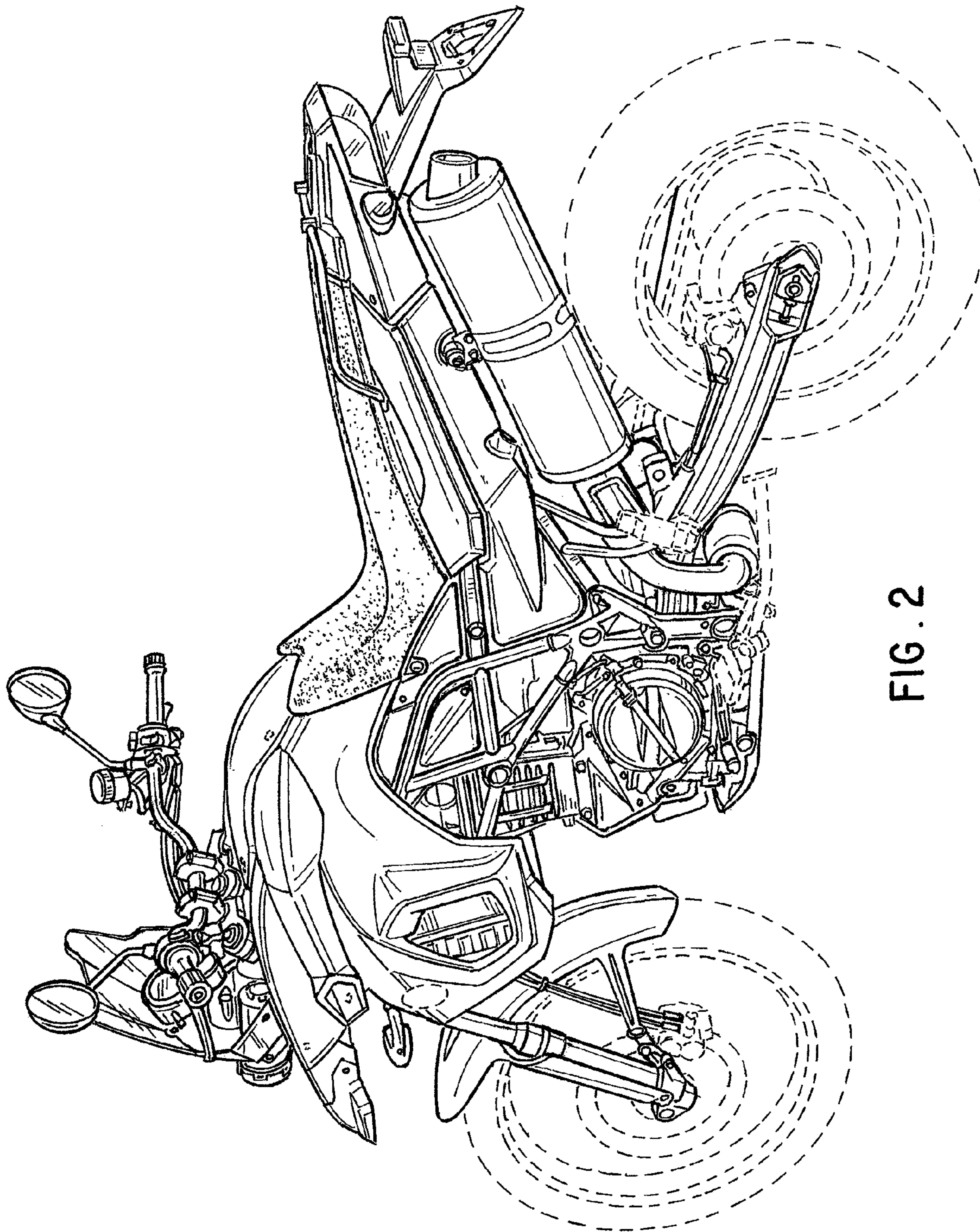


FIG. 2

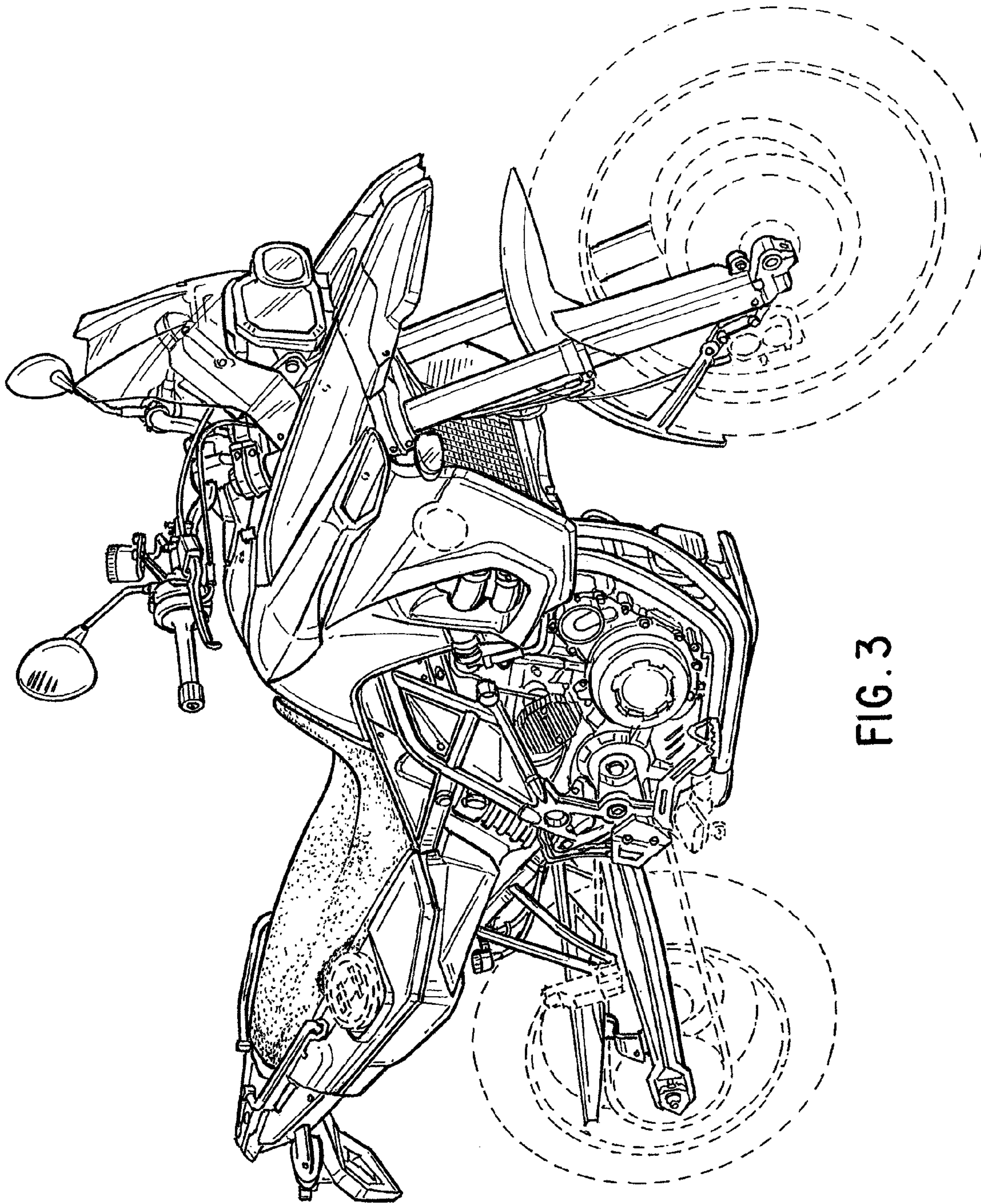


FIG. 3

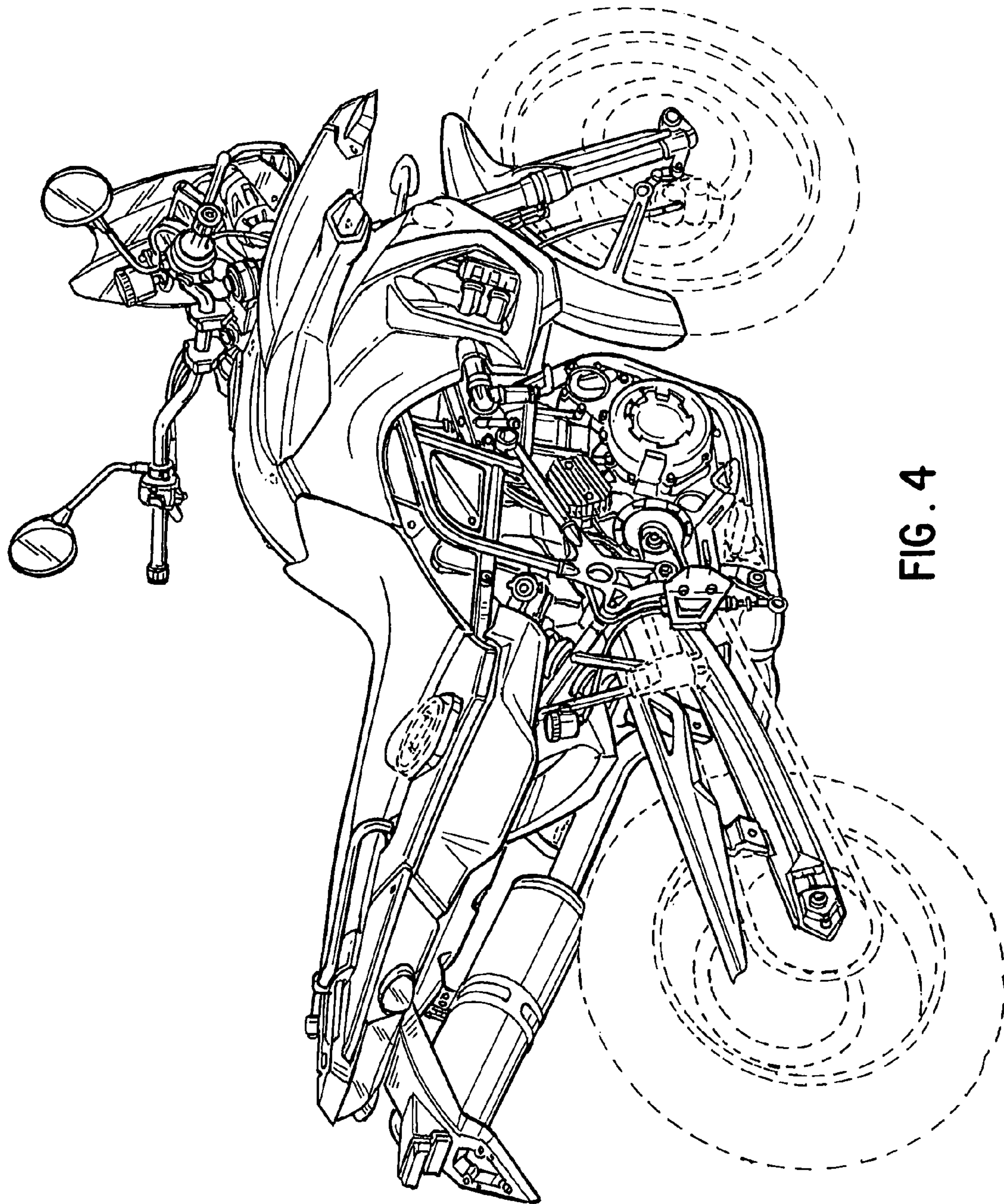


FIG. 4

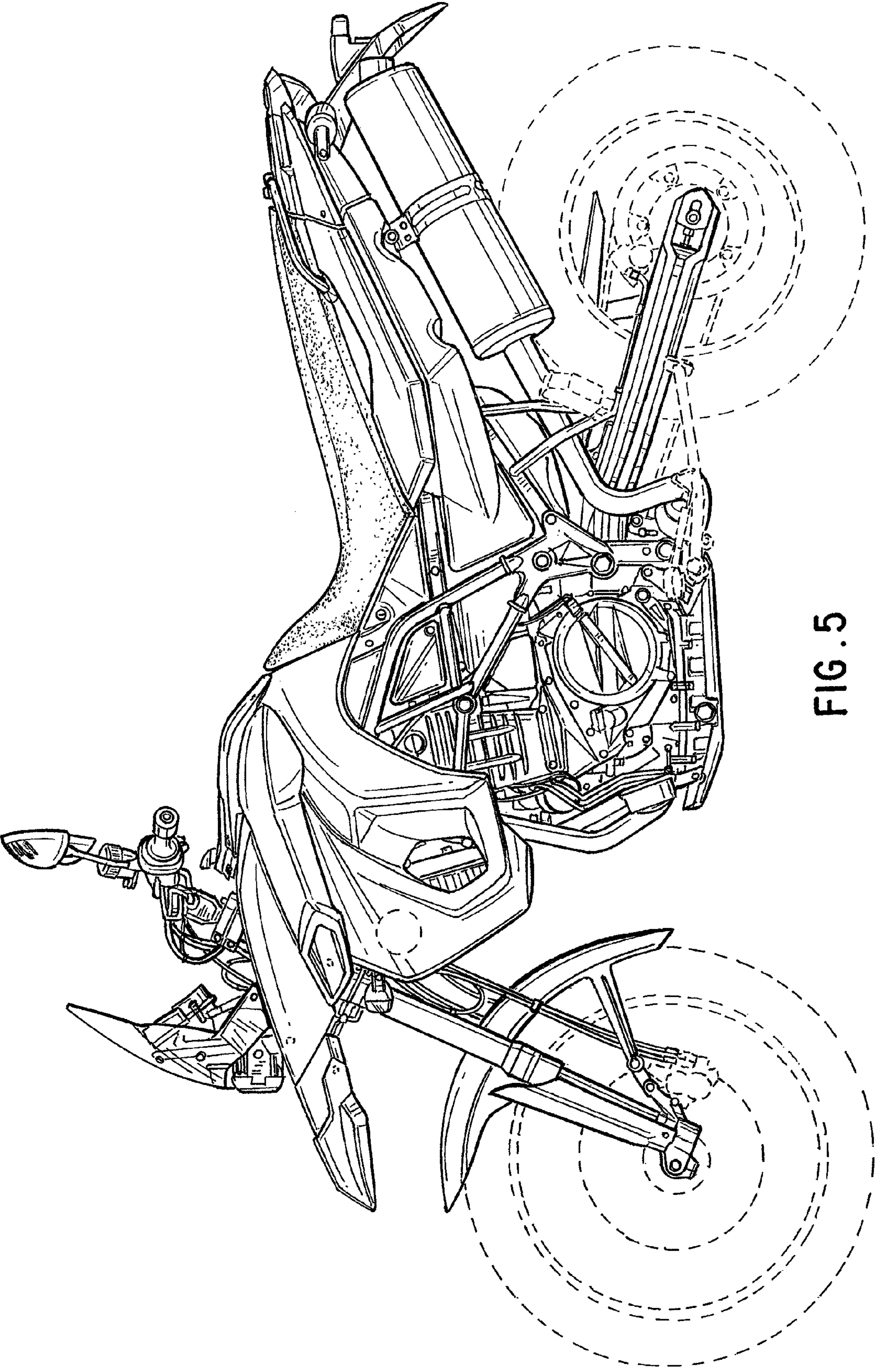


FIG. 5

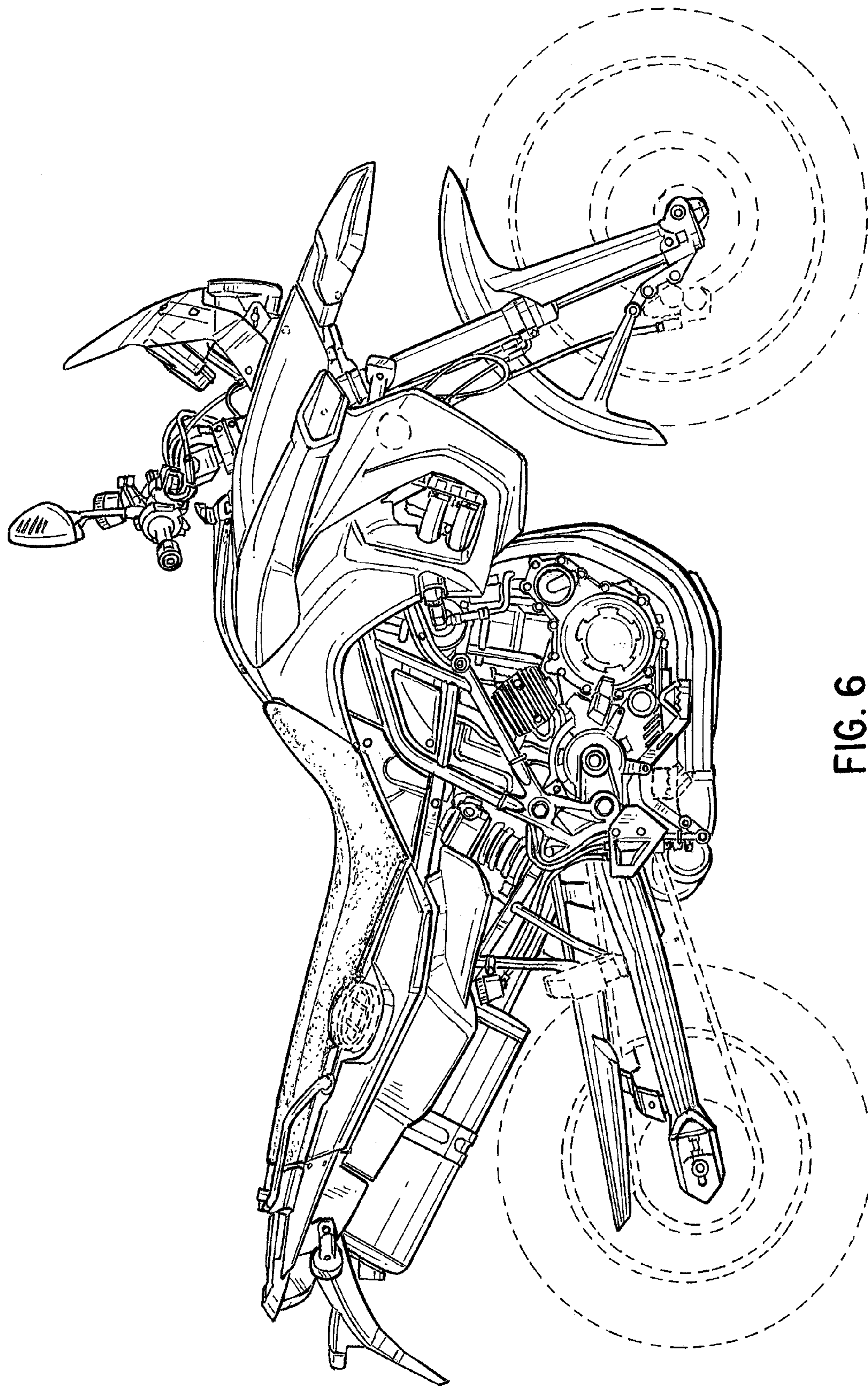


FIG. 6

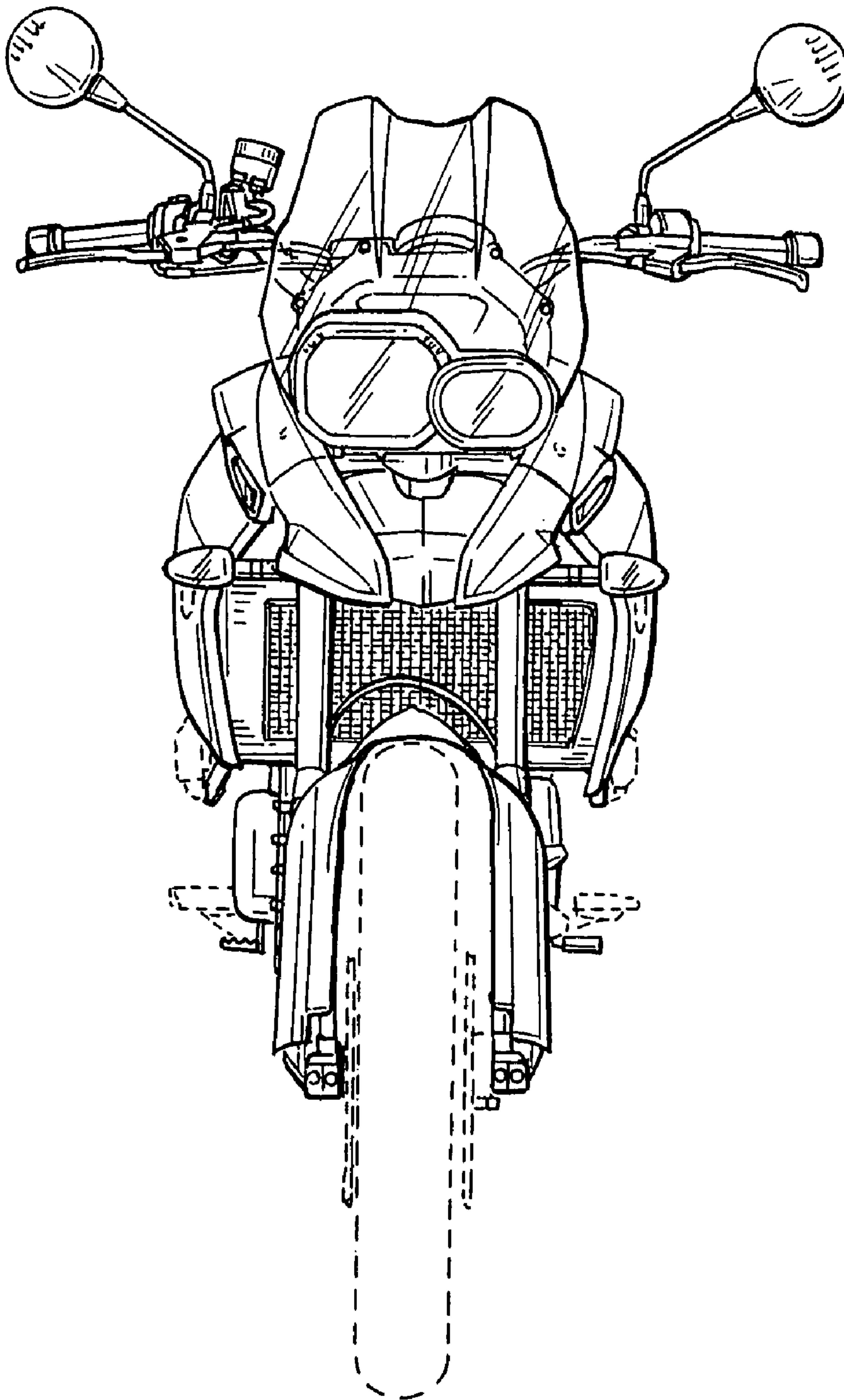


FIG. 7

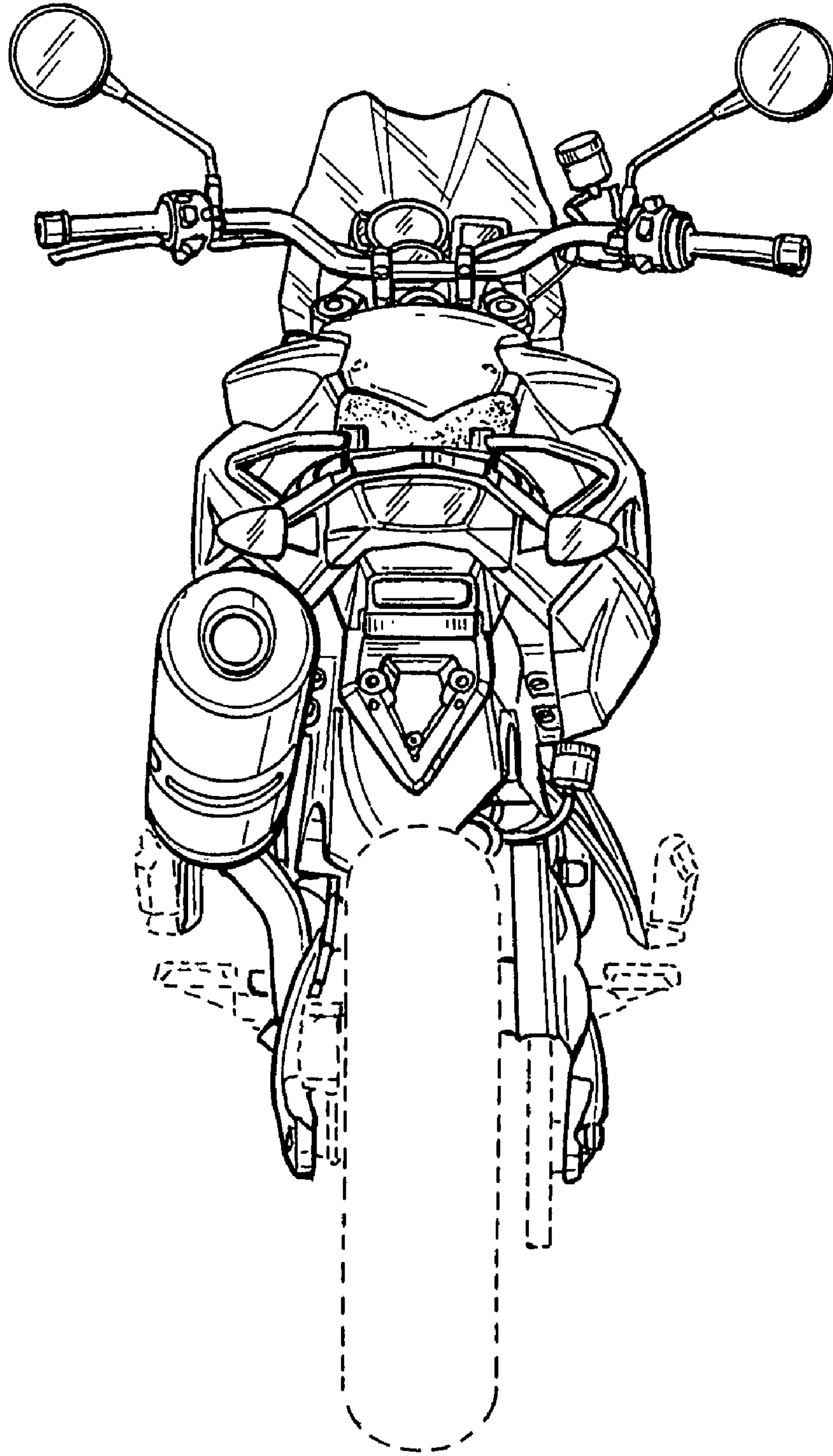


FIG. 8

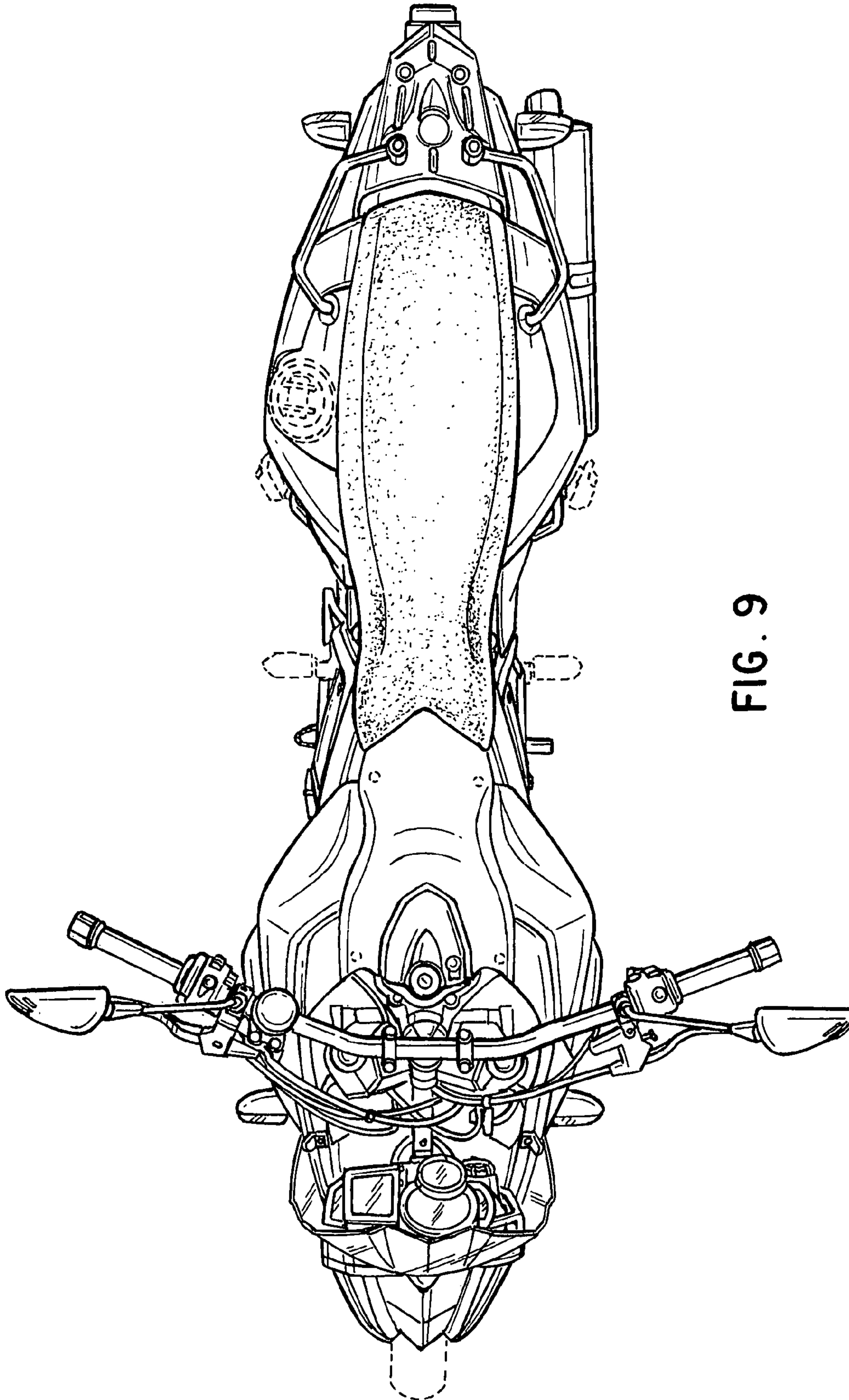


FIG. 9

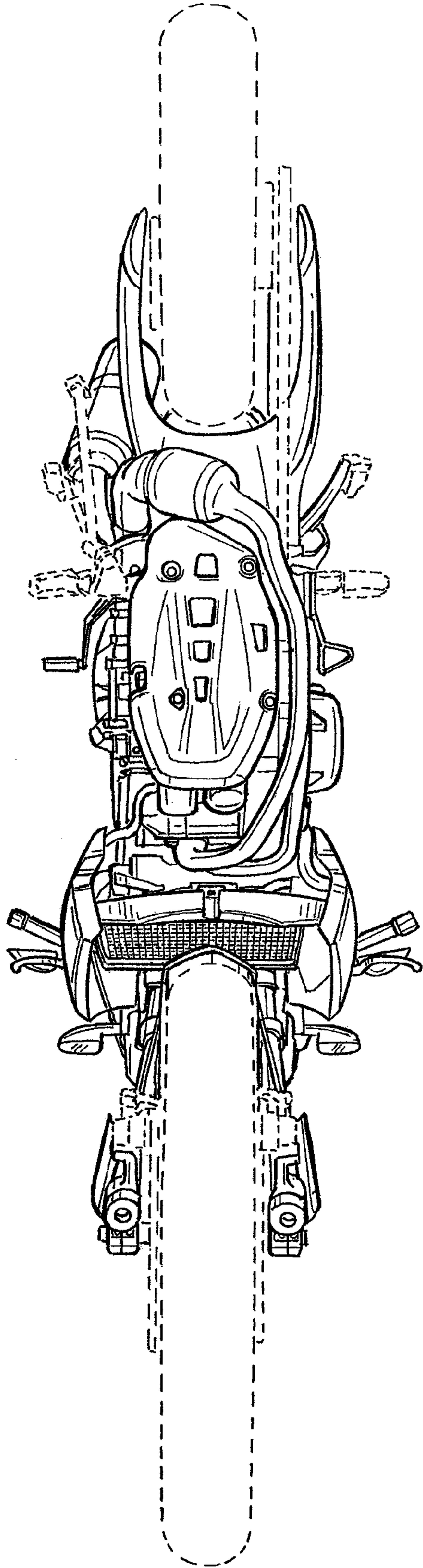


FIG. 10