



US00D587170S

(12) **United States Design Patent**
Tokoro et al.

(10) **Patent No.:** **US D587,170 S**
(45) **Date of Patent:** **** Feb. 24, 2009**

(54) **AUTOMOBILE**

(75) Inventors: **Yosuke Tokoro**, Wako (JP); **Naohiro Kitazono**, Wako (JP)

(73) Assignee: **Honda Motor Co., Ltd.**, Tokyo (JP)

(**) Term: **14 Years**

(21) Appl. No.: **29/281,355**

(22) Filed: **Jun. 21, 2007**

(30) **Foreign Application Priority Data**

Dec. 22, 2006 (JP) 2006-035217

(51) **LOC (9) Cl.** **12-08**

(52) **U.S. Cl.** **D12/91**

(58) **Field of Classification Search** D12/86,
D12/90-92; 296/181.1, 181.5
See application file for complete search history.

(56) **References Cited**

U.S. PATENT DOCUMENTS

D458,188 S * 6/2002 Wyszogrod et al. D12/90
D522,407 S * 6/2006 Kim et al. D12/91

D539,190 S * 3/2007 Brown et al. D12/91
D555,038 S * 11/2007 Suzuki et al. D12/91
D568,791 S * 5/2008 Suzuki et al. D12/91

* cited by examiner

Primary Examiner—Melody N Brown

(74) *Attorney, Agent, or Firm*—Westerman, Hattori, Daniels & Adrian, LLP.

(57) **CLAIM**

The ornamental design for an automobile, as shown and described.

DESCRIPTION

FIG. 1 is a front view of the automobile;
FIG. 2 is a rear view of the automobile;
FIG. 3 is a top plan view of the automobile;
FIG. 4 is a right side view of the automobile, the left side view being a mirror image thereof;
FIG. 5 is front perspective view of the automobile; and,
FIG. 6 is a rear perspective view of the automobile.

1 Claim, 5 Drawing Sheets

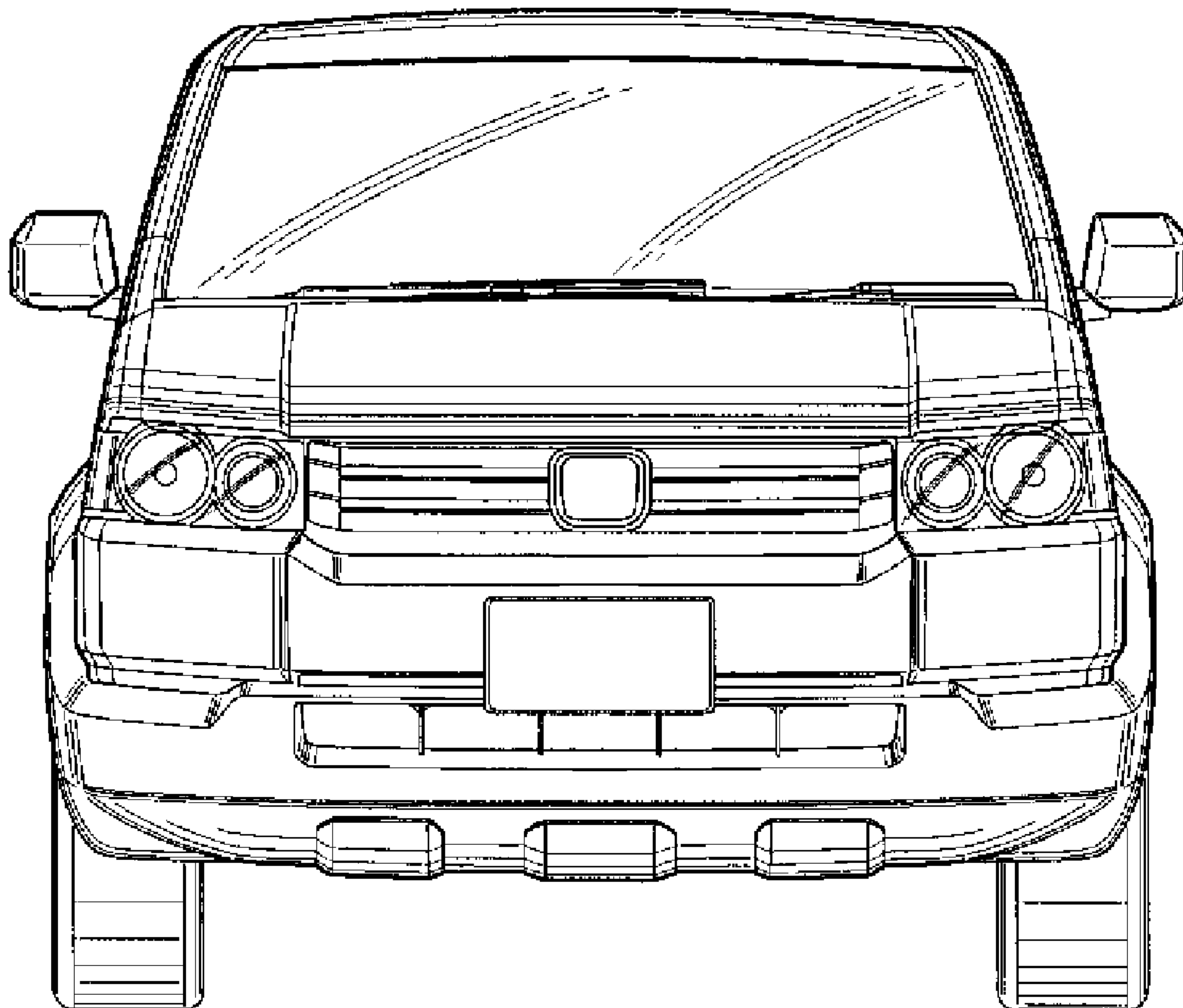


FIG.1

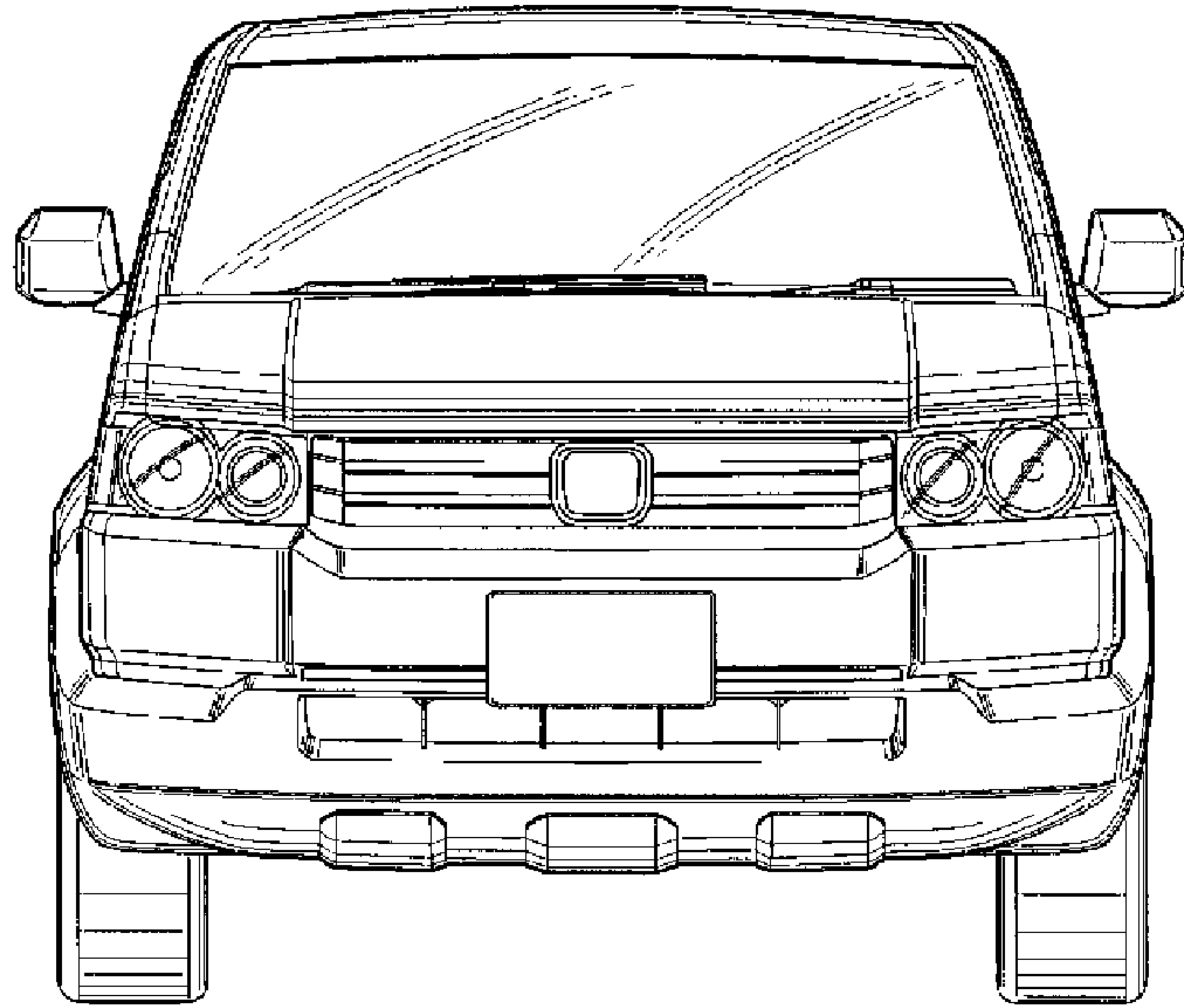


FIG.2

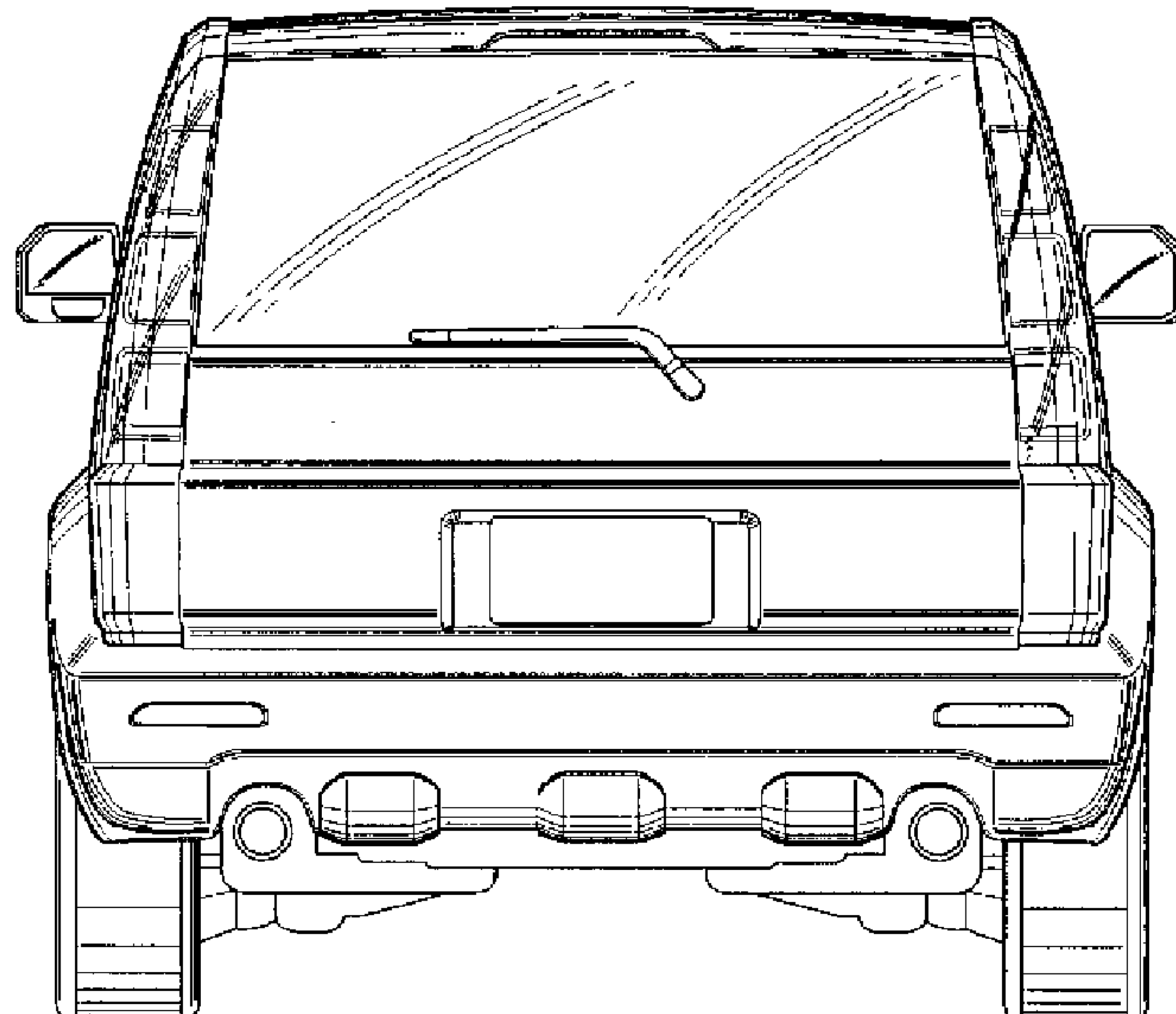


FIG.3

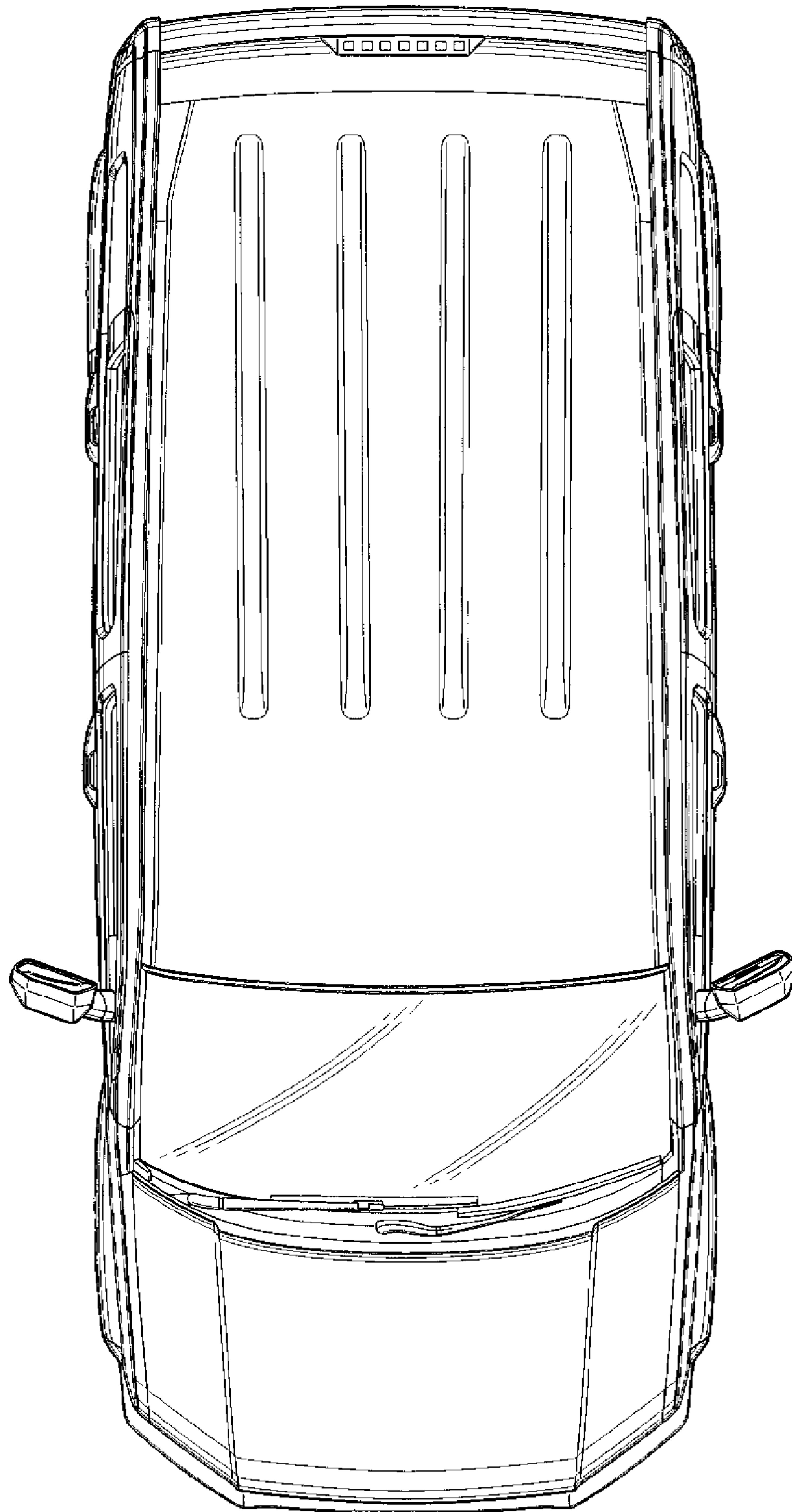


FIG.4

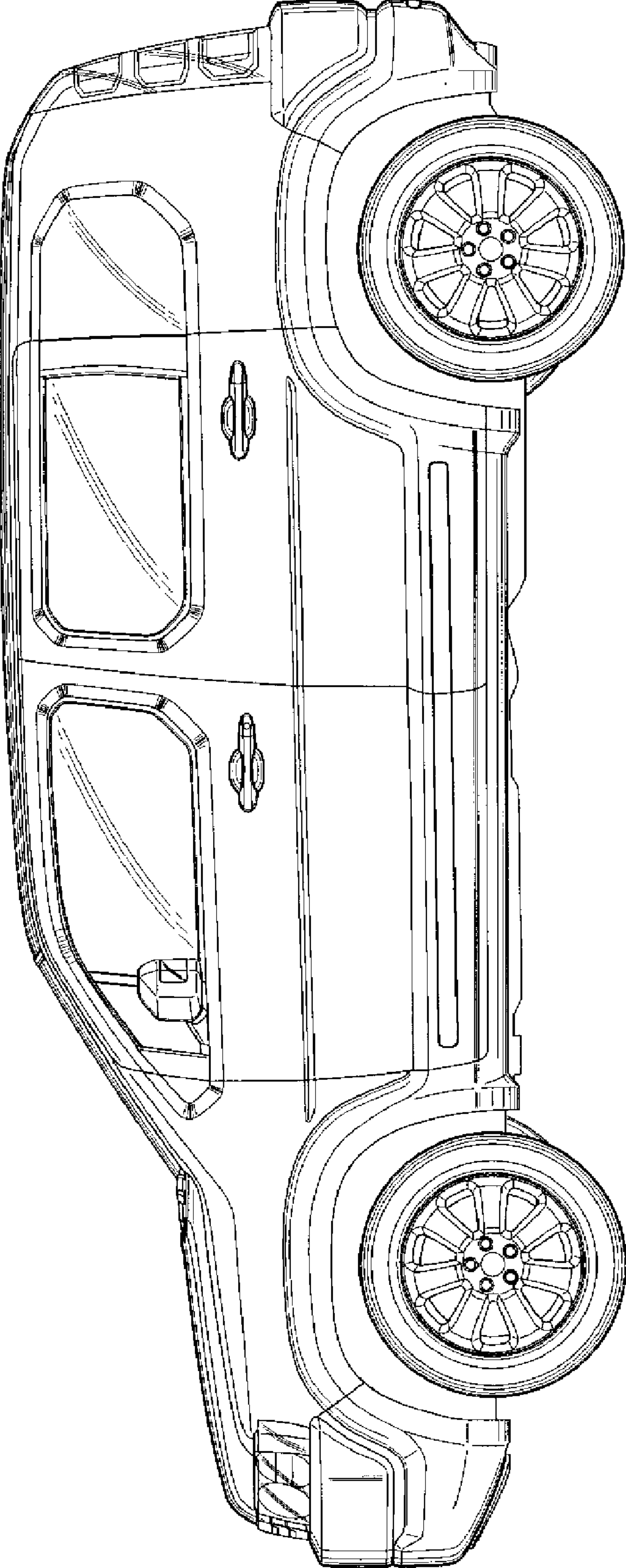


FIG.5

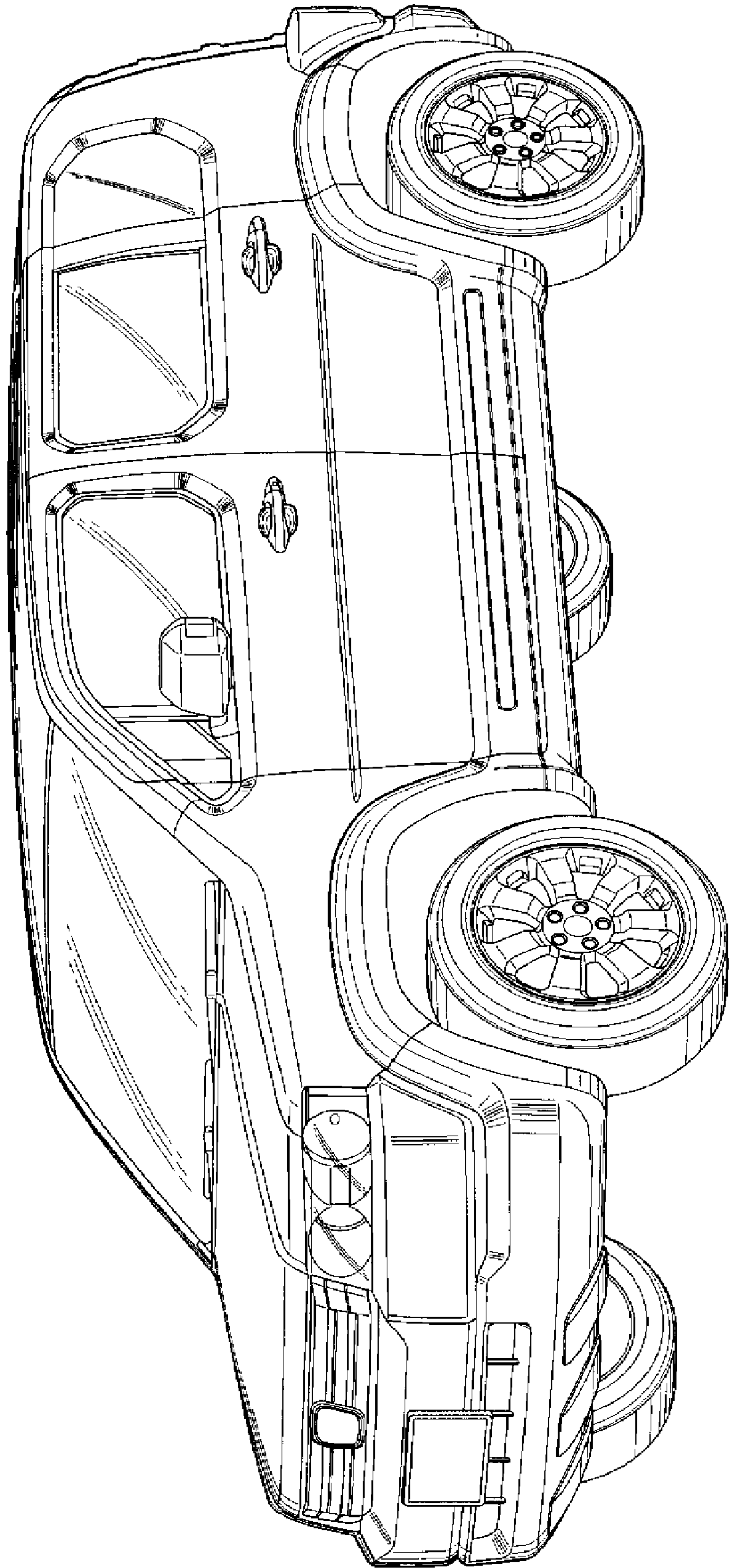


FIG.6

