



US00D587169S

(12) **United States Design Patent**
Kelley et al.

(10) **Patent No.:** **US D587,169 S**
(45) **Date of Patent:** **** *Feb. 24, 2009**

(54) **PORTION OF AN OFF-HIGHWAY TRUCK**

(75) Inventors: **Craig B. Kelley**, Dunlap, IL (US); **Gary C. Bryant**, Chillicothe, IL (US); **John J. Maas**, Mount Zion, IL (US); **Colton T. Anderson**, Chillicothe, IL (US); **Kevin F. Stremmlau**, Peoria, IL (US); **Brian R. Janes**, Chillicothe, IL (US)

(73) Assignee: **Caterpillar Inc.**, Peoria, IL (US)

(*) Notice: This patent is subject to a terminal disclaimer.

(**) Term: **14 Years**

(21) Appl. No.: **29/285,210**

(22) Filed: **Mar. 23, 2007**

(51) **LOC (9) Cl.** **08-10**

(52) **U.S. Cl.** **D12/15**

(58) **Field of Classification Search** D12/1,
D12/5, 22, 15, 93, 98, 196, 14; D15/10,
D15/25, 30, 33; 414/245, 685, 688, 722,
414/724, 493; 108/234, 641; 37/403, 413,
37/442, 443, 412; D21/558, 559, 562, 561
See application file for complete search history.

(56) **References Cited**

U.S. PATENT DOCUMENTS

D184,217 S * 1/1959 Erlacher et al. D12/15
D217,726 S * 6/1970 Cohn D21/554
3,713,666 A * 1/1973 Cheers et al. 280/124.177

(Continued)

OTHER PUBLICATIONS

Rigid Dumper, RD 32, Astra, English 09-2005 (3 pps.).

(Continued)

Primary Examiner—Robert M Spear
Assistant Examiner—Ania K Dworzecka
(74) *Attorney, Agent, or Firm*—Michael Braunstein

(57) **CLAIM**

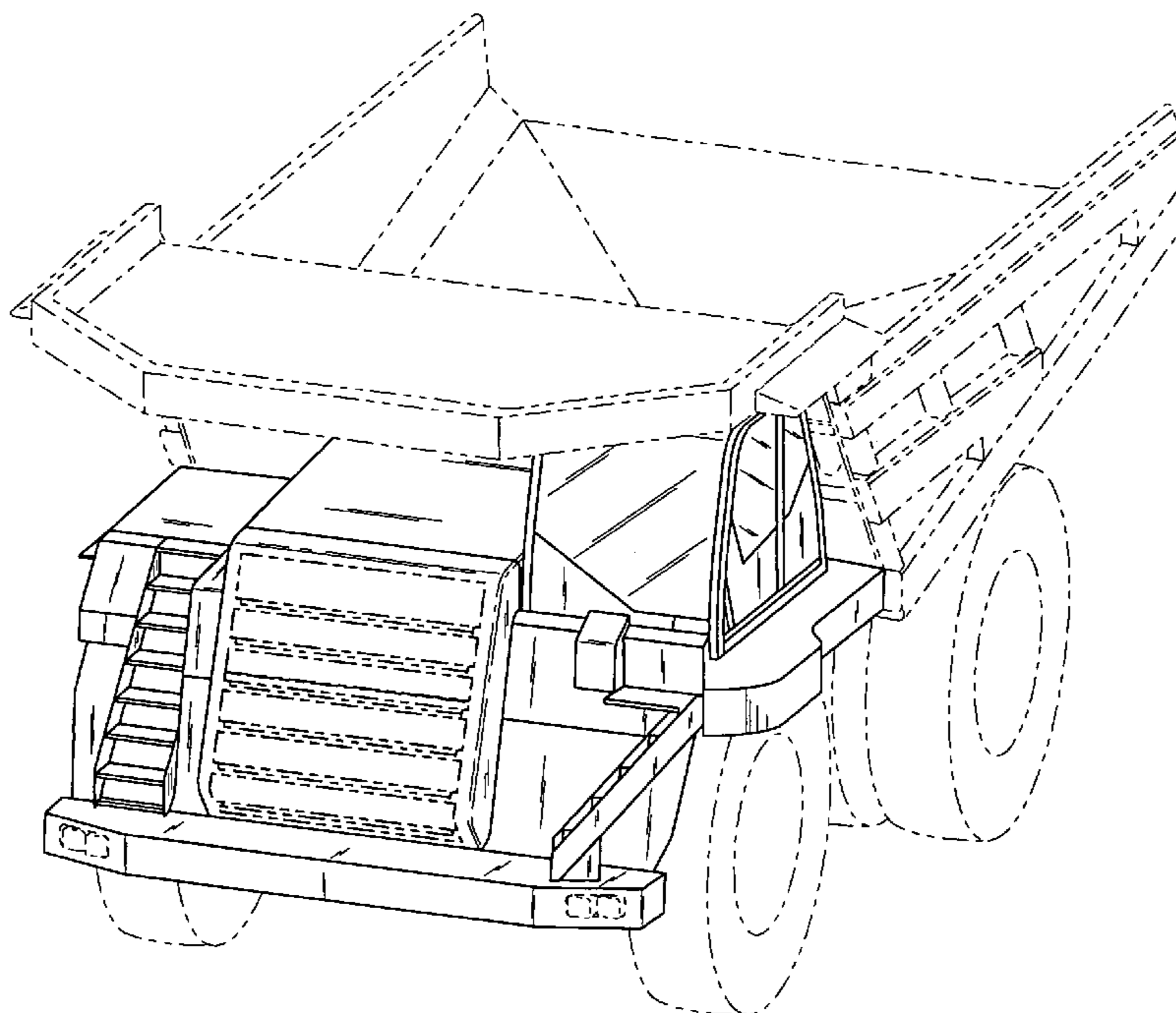
The ornamental design for a portion of an off-highway truck, as shown and described.

DESCRIPTION

FIG. 1 is a front view of our new design;
FIG. 2 is a left view thereof;
FIG. 3 is a rear view thereof;
FIG. 4 is a right view thereof;
FIG. 5 is a top view thereof;
FIG. 6 is a left, front perspective view thereof;
FIG. 7 is a right, front perspective view thereof.
FIG. 8 is a left, front perspective view thereof, shown in context;
FIG. 9 is a right, front perspective view thereof, shown in context;
FIG. 10 is a right view thereof, shown in context; and,
FIG. 11 is a left view thereof, shown in context.

The bottom view does not form part of the claimed design and therefore is not disclosed. The elements depicted in dashed lines form no part of the claimed design.

1 Claim, 11 Drawing Sheets



US D587,169 S

Page 2

U.S. PATENT DOCUMENTS

D234,130	S *	1/1975	Kress	D12/15	6,542,851	B2 *	4/2003	Hasegawa et al.	702/182
D235,528	S *	6/1975	Ahola	D12/15	6,588,539	B2 *	7/2003	Hinton et al.	180/372
3,923,337	A *	12/1975	Kershaw et al.	296/183.2	6,612,774	B1 *	9/2003	Dulin	404/104
3,938,238	A *	2/1976	Kershaw et al.	29/469	6,935,678	B1 *	8/2005	Laban et al.	296/183.2
D240,613	S *	7/1976	Thomas et al.	D12/15	7,100,256	B2 *	9/2006	D'Amico et al.	29/401.1
3,977,489	A *	8/1976	Cole et al.	180/89.1	7,131,670	B2 *	11/2006	Kinoshita	280/856
4,236,601	A *	12/1980	Naka	182/76	D545,473	S *	6/2007	Nunes	D26/73
4,307,300	A *	12/1981	Kisami	307/9.1	D560,553	S *	1/2008	Vance et al.	D12/15
4,325,444	A *	4/1982	Anami	180/346	2002/0047300	A1 *	4/2002	Uematsu et al.	298/22 R
4,418,636	A *	12/1983	Piper	116/28 R	2002/0103623	A1 *	8/2002	Hasegawa et al.	702/184
4,491,336	A *	1/1985	Myers	280/124.154	2003/0010549	A1 *	1/2003	Hinton et al.	180/65.5
4,531,781	A *	7/1985	Hunt et al.	298/22 P	2004/0026959	A1 *	2/2004	Kostecki	296/183.2
D289,069	S *	3/1987	Ohno	D21/580	2004/0036245	A1 *	2/2004	Mollhagen	280/124.128
D289,748	S	5/1987	Proeschl		2004/0102907	A1 *	5/2004	Lueschow et al.	702/33
4,684,152	A *	8/1987	Goodbary et al.	280/785	2004/0104596	A1 *	6/2004	Bender	296/183.2
4,719,361	A *	1/1988	Brubaker	290/45	2005/0040695	A1 *	2/2005	Kinoshita	301/36.3
5,385,391	A *	1/1995	Dickerson	298/17 R	2005/0126056	A1 *	6/2005	Kostecki	37/379
5,472,062	A *	12/1995	Nagai et al.	180/252	2005/0278089	A1 *	12/2005	Lueschow	701/29
5,520,442	A *	5/1996	Kisami et al.	298/17 R	2006/0080818	A1 *	4/2006	D'Amico et al.	29/401.1
5,564,519	A *	10/1996	Katoh et al.	180/243	2007/0101818	A1 *	5/2007	Kabrigh et al.	74/335
5,797,657	A *	8/1998	D'Amico et al.	298/17 R	2007/0114092	A1 *	5/2007	Khalil et al.	180/406
6,086,076	A *	7/2000	Prem et al.	280/124.111						
6,113,193	A *	9/2000	Kunzeman	298/1 H						
6,175,788	B1 *	1/2001	Hasegawa et al.	701/29						
D458,943	S	6/2002	Briggs et al.							
D465,499	S	11/2002	Briggs et al.							

OTHER PUBLICATIONS

New Rigid Dump Trucks, Rd 28, RD 32, Astra, Italian/English, A3500679-05-2005, (2 pps.).

* cited by examiner

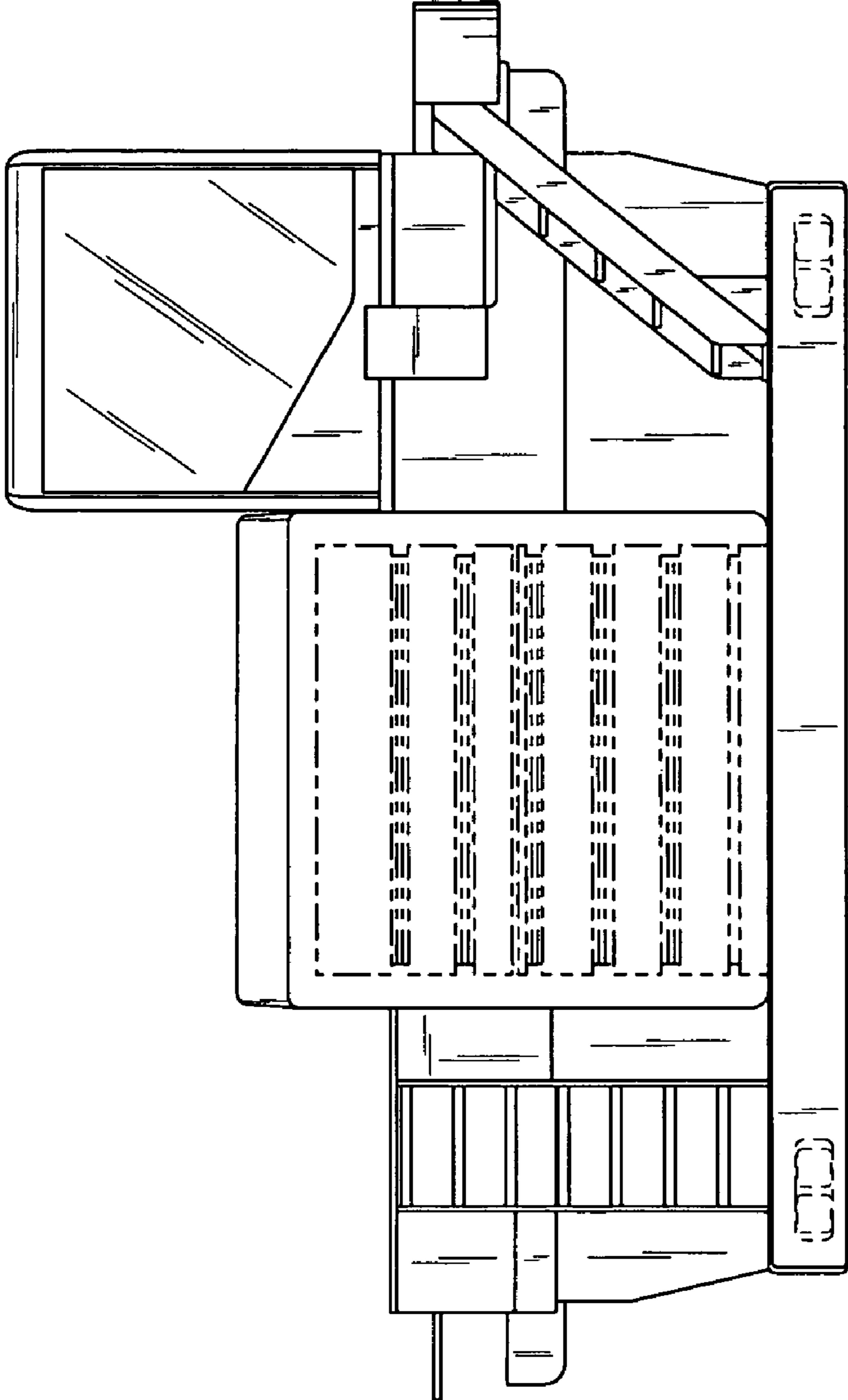


FIG. 1

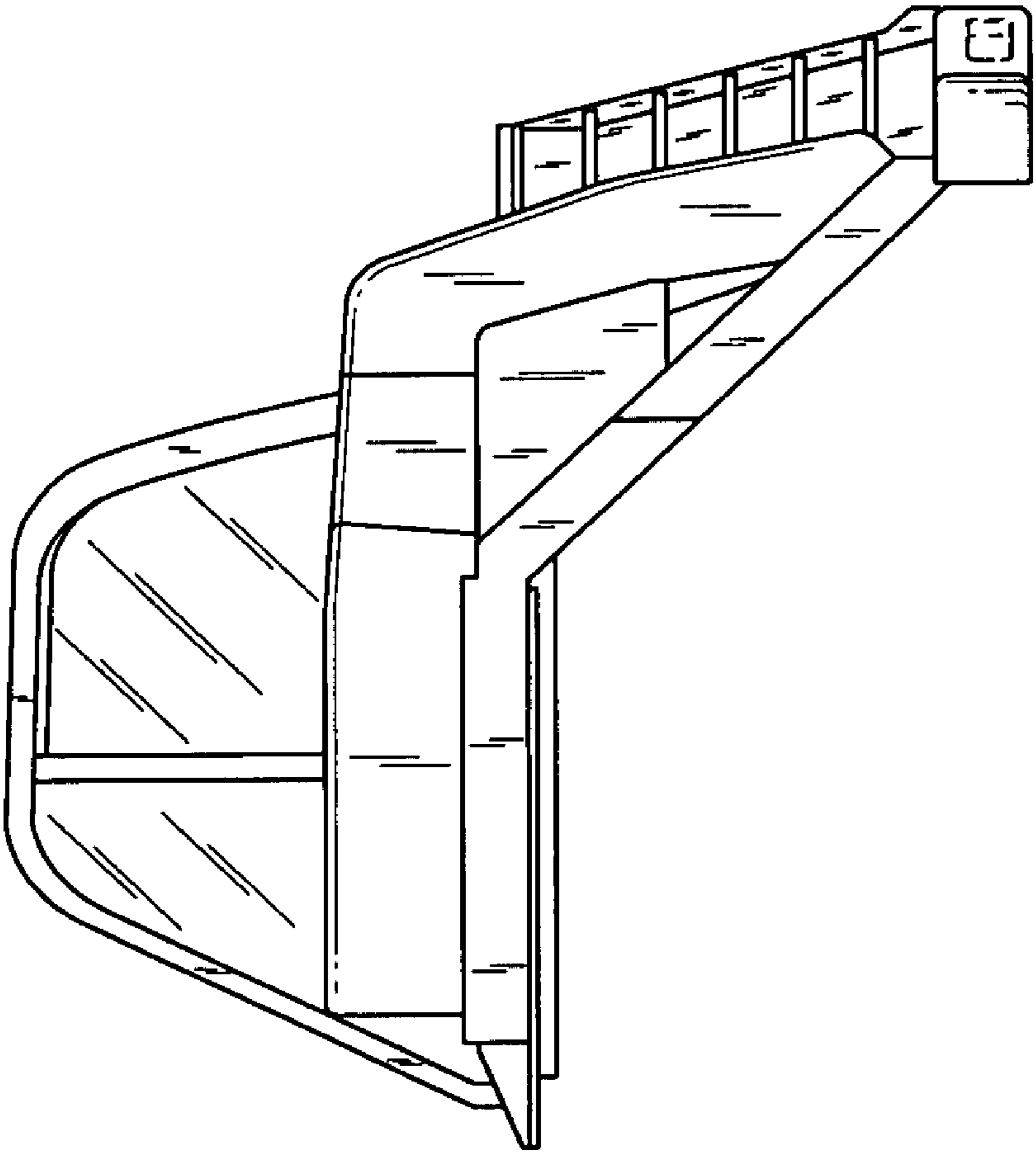


FIG. 2

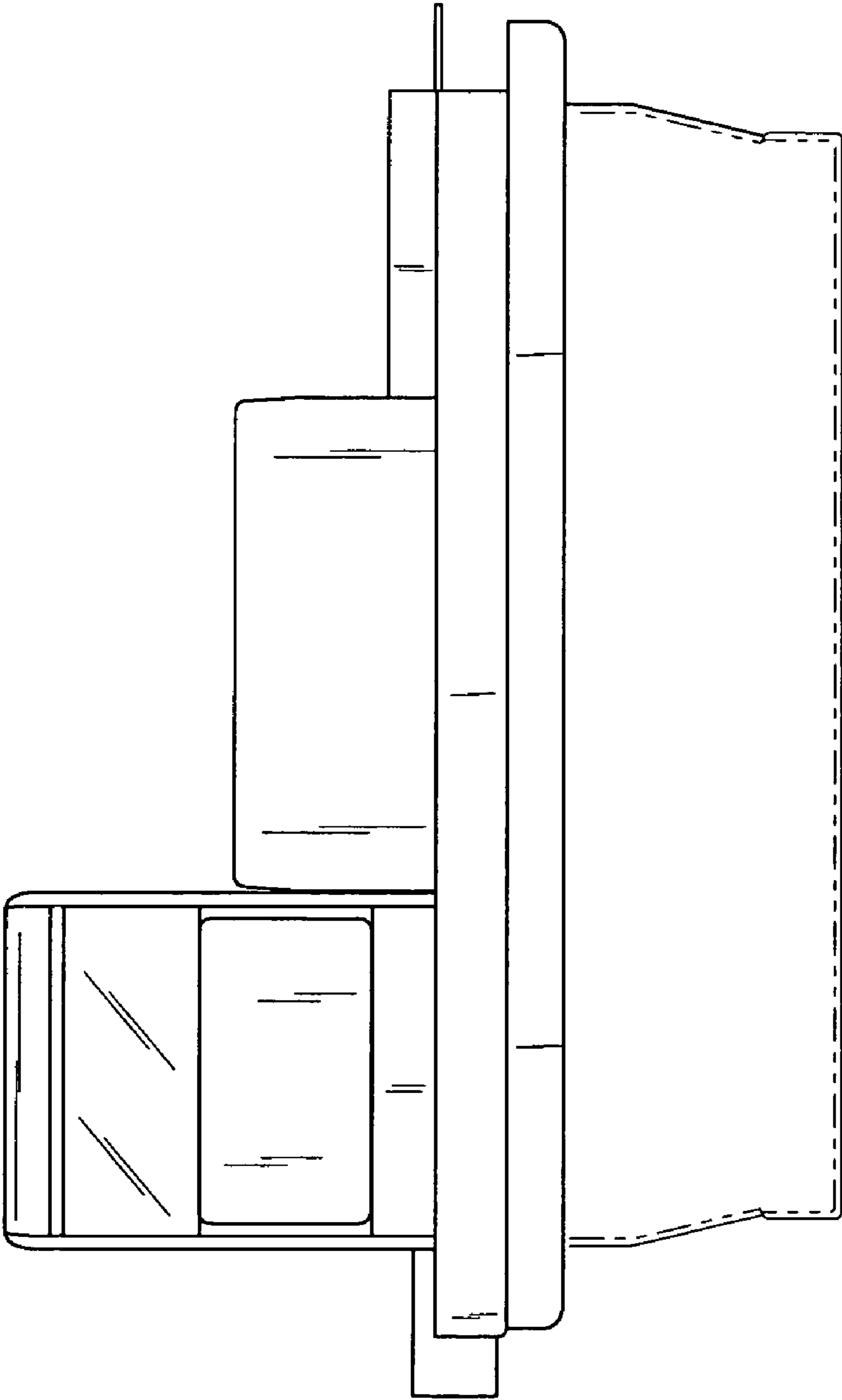


FIG. 3

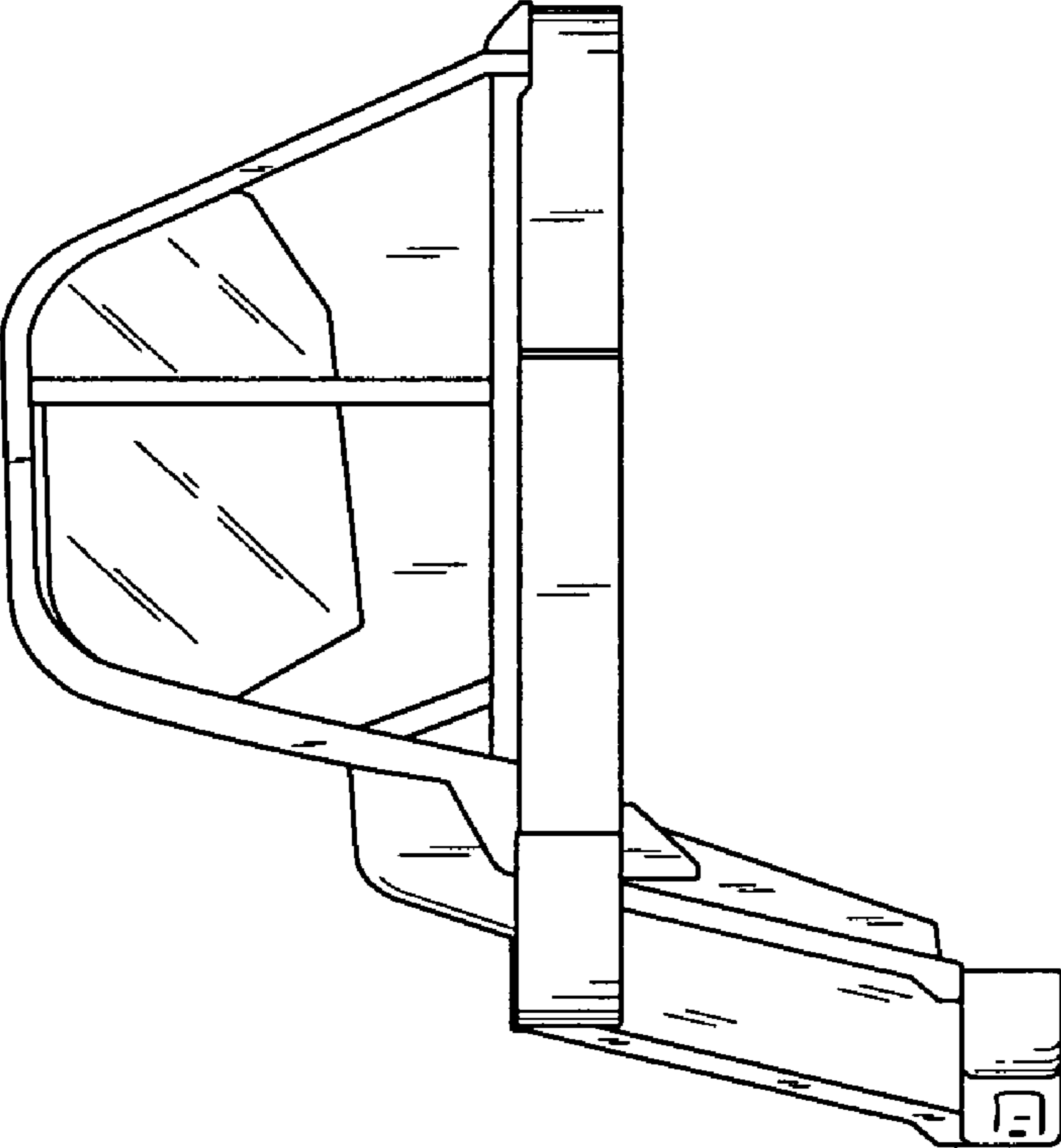


FIG. 4

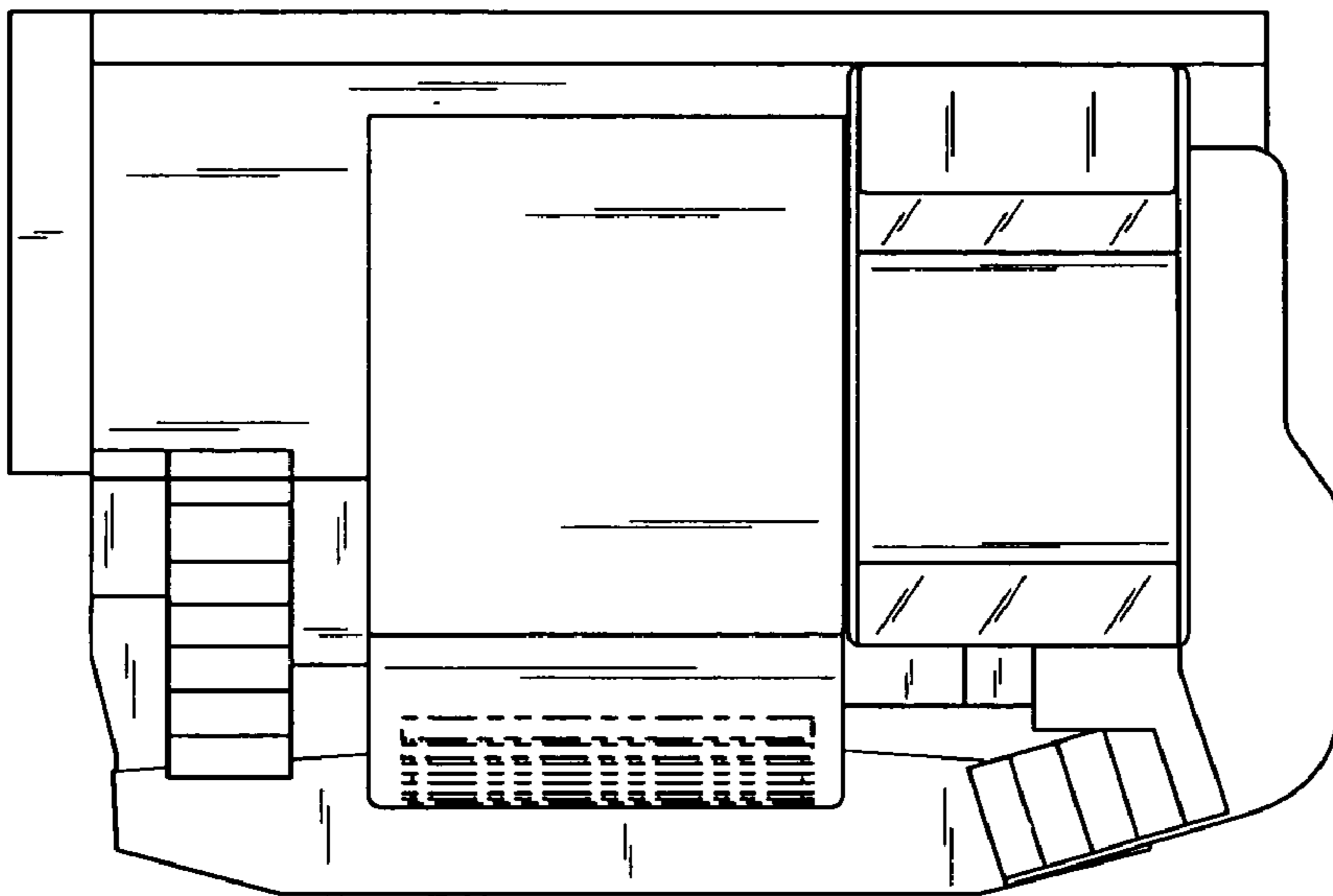


FIG. 5

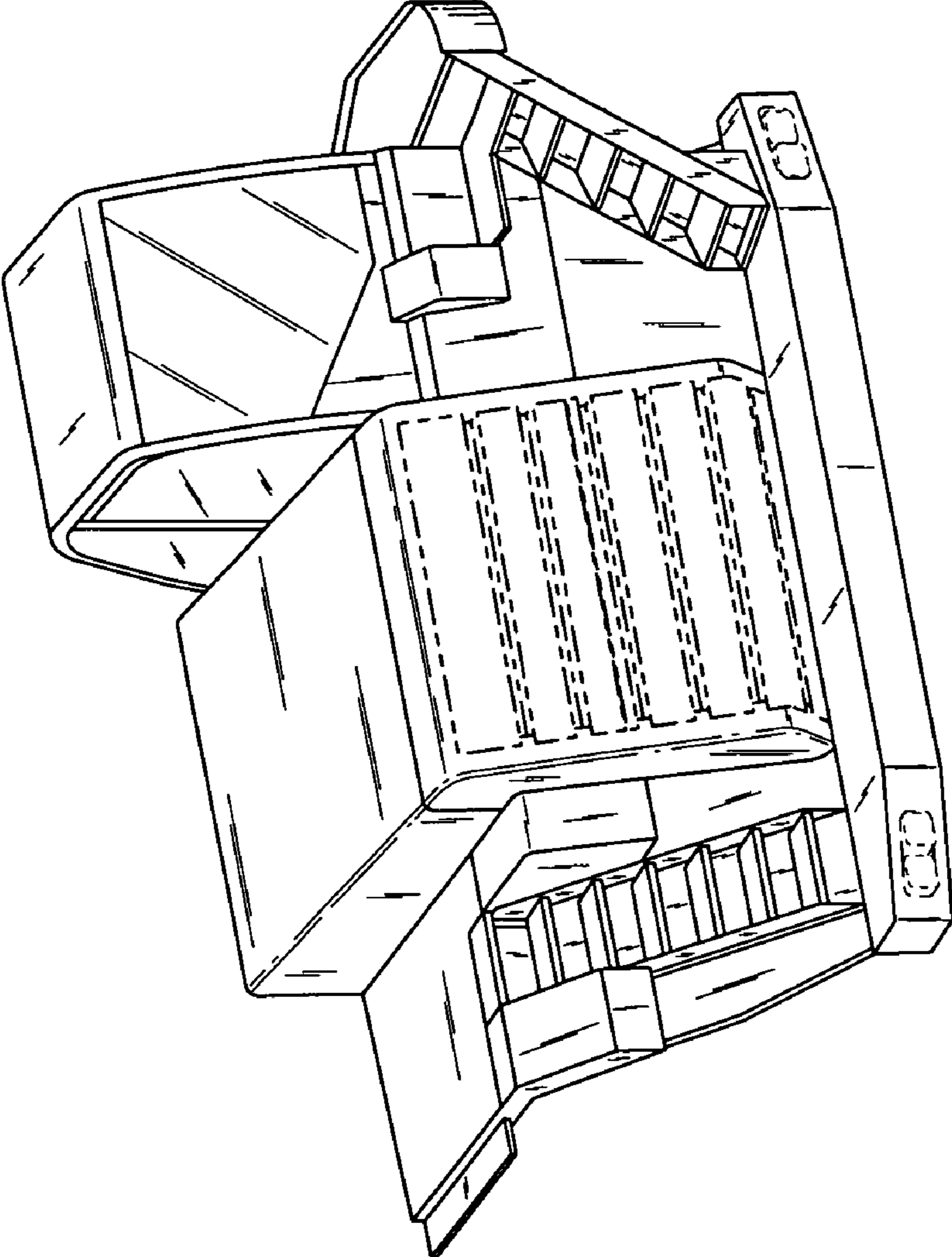


FIG. 6

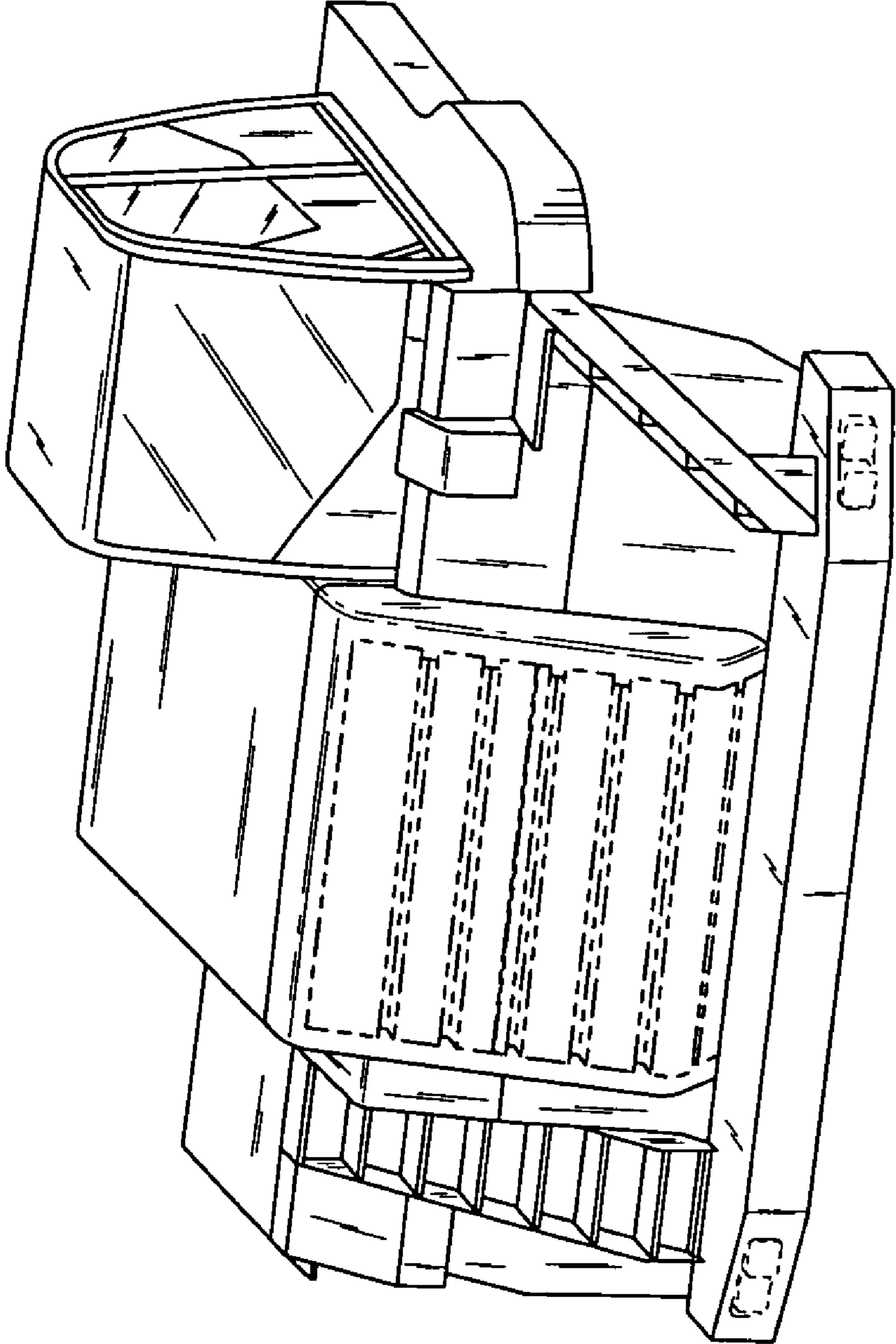


FIG. 7

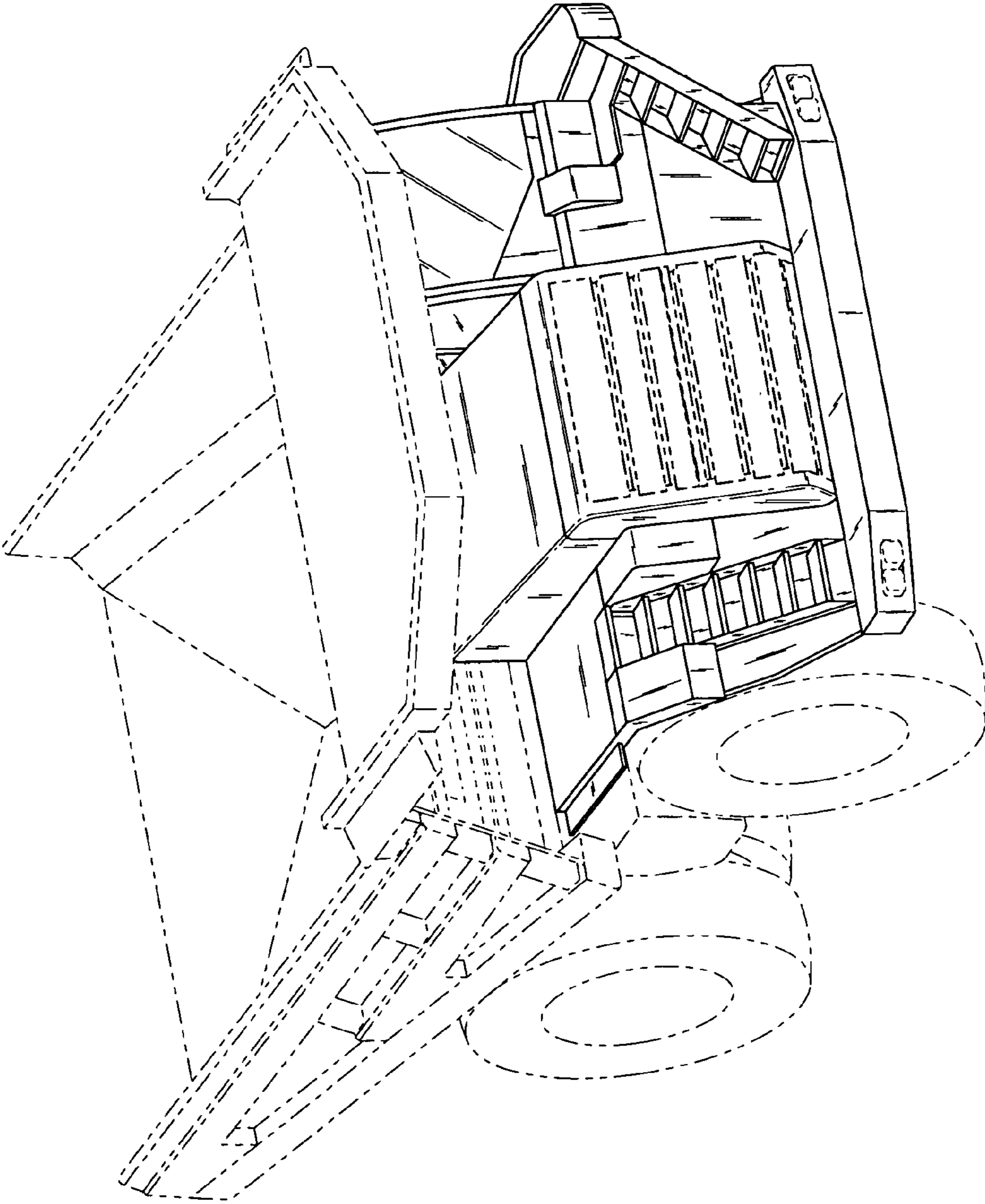
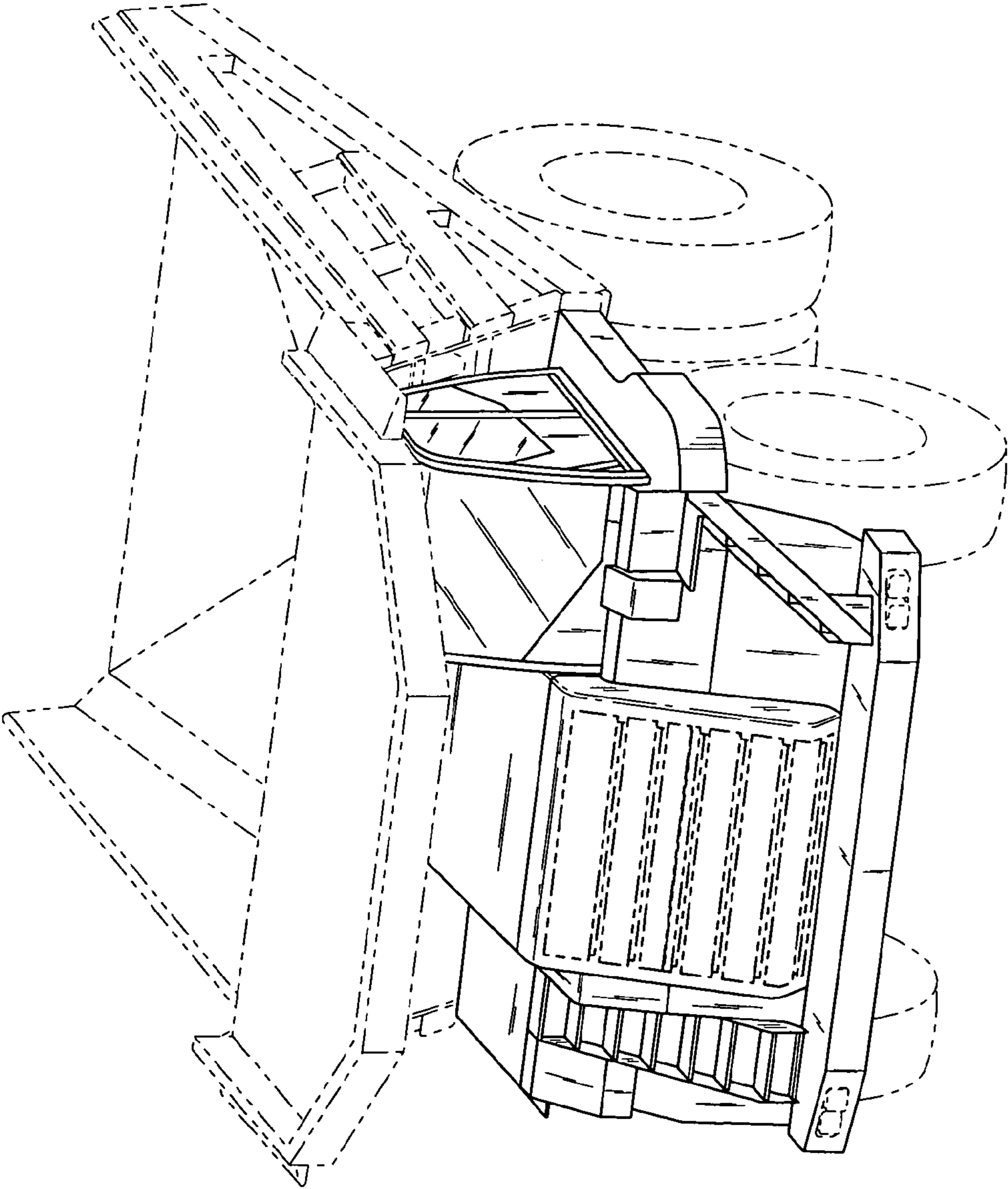


FIG. 8

FIG. 9



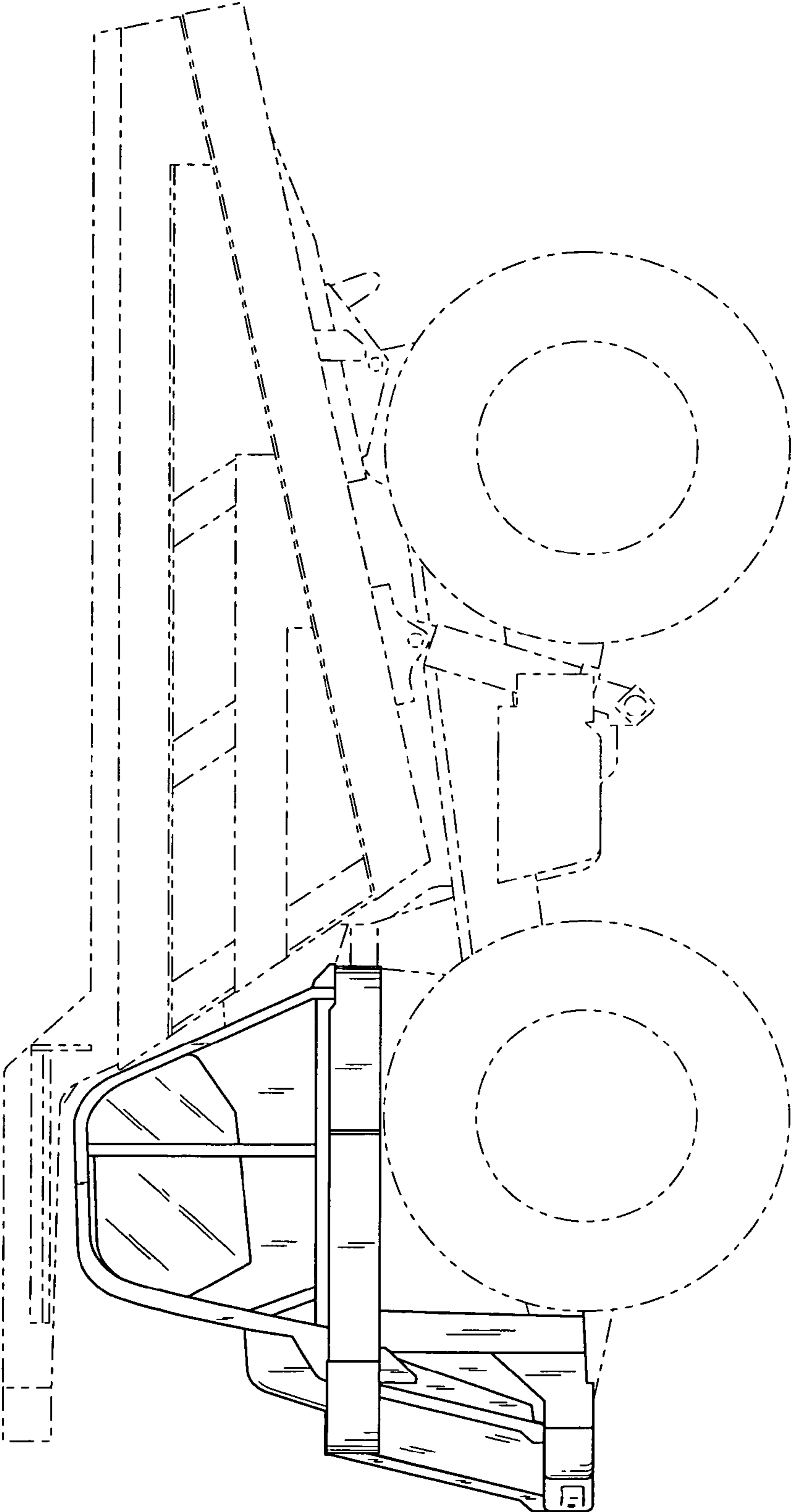


FIG. 10

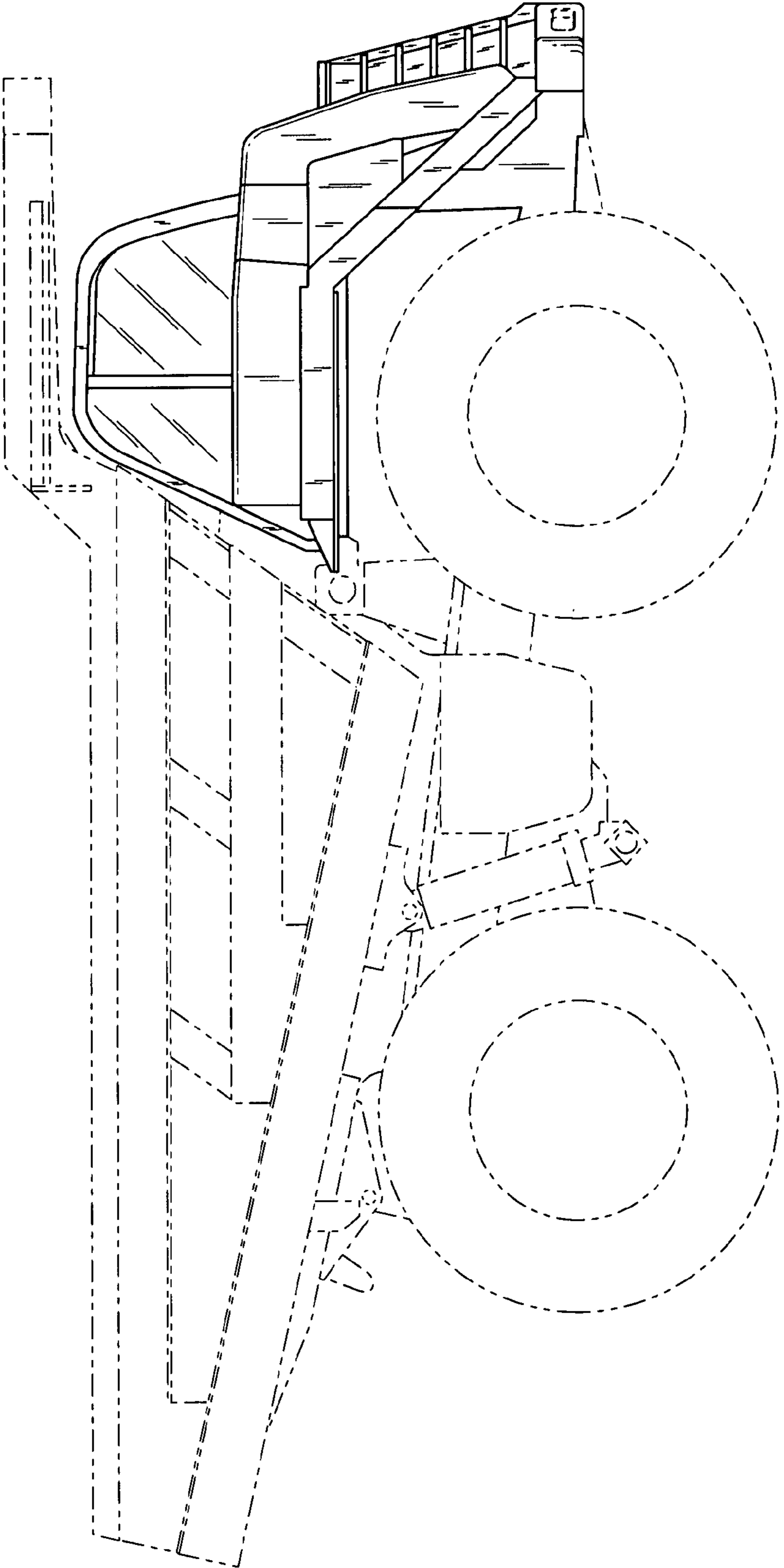


FIG. 11