



US00D587168S

(12) **United States Design Patent**
Longpre et al.

(10) **Patent No.:** **US D587,168 S**

(45) **Date of Patent:** **** *Feb. 24, 2009**

(54) **SNOWMOBILE SIDE PANEL**

(75) Inventors: **Guillaume Longpre**, Granby (CA);
Martin Portelance, Chicoutimi (CA);
Etienne Guay, Orford (CA)

(73) Assignee: **Bombardier Recreational Products Inc.**, Valcourt (CA)

(*) Notice: This patent is subject to a terminal disclaimer.

(**) Term: **14 Years**

(21) Appl. No.: **29/303,027**

(22) Filed: **Jan. 30, 2008**

(51) **LOC (9) Cl.** **12-14**

(52) **U.S. Cl.** **D12/7**

(58) **Field of Classification Search** D12/7,
D12/110, 111, 9, 112, 307, 400, 86, 85, 88;
D21/533; 180/182, 190, 184-186, 9.25,
180/180, 219, 193, 194; 280/845; D6/354
See application file for complete search history.

(56) **References Cited**

U.S. PATENT DOCUMENTS

D253,883 S	1/1980	Shimasaki
D264,830 S	6/1982	Ishiyama
D273,185 S	3/1984	Ishiyama
D278,892 S	5/1985	Kobayashi
D314,535 S	2/1991	Matsue
D319,607 S	9/1991	Anselme
D328,575 S	8/1992	Berto
D334,374 S	3/1993	Hornai
D342,044 S	12/1993	Hornai

(Continued)

OTHER PUBLICATIONS

U.S. Appl. No. 29/303,022, filed on Jan. 30, 2008. Title: Snowmobile.

(Continued)

Primary Examiner—T. Chase Nelson
Assistant Examiner—Ania K. Dworzecka

(74) *Attorney, Agent, or Firm*—Osler, Hoskin & Harcourt LLP

(57) **CLAIM**

The ornamental design for a snowmobile side panel, as shown and described.

DESCRIPTION

FIG. 1 is a front right perspective view showing a first embodiment of a snowmobile side panel according to our design;

FIG. 2 is rear elevation view thereof;

FIG. 3 is a front elevation view thereof;

FIG. 4 is a right side elevation view thereof;

FIG. 5 is a left side elevation view thereof;

FIG. 6 is a top plan view thereof;

FIG. 7 is a bottom plan view thereof;

FIG. 8 is a front left perspective view showing a second embodiment of a snowmobile side panel according to the design, being a mirror image of the first embodiment;

FIG. 9 is a rear elevation view thereof;

FIG. 10 is a front elevation view thereof;

FIG. 11 is a left side elevation view thereof;

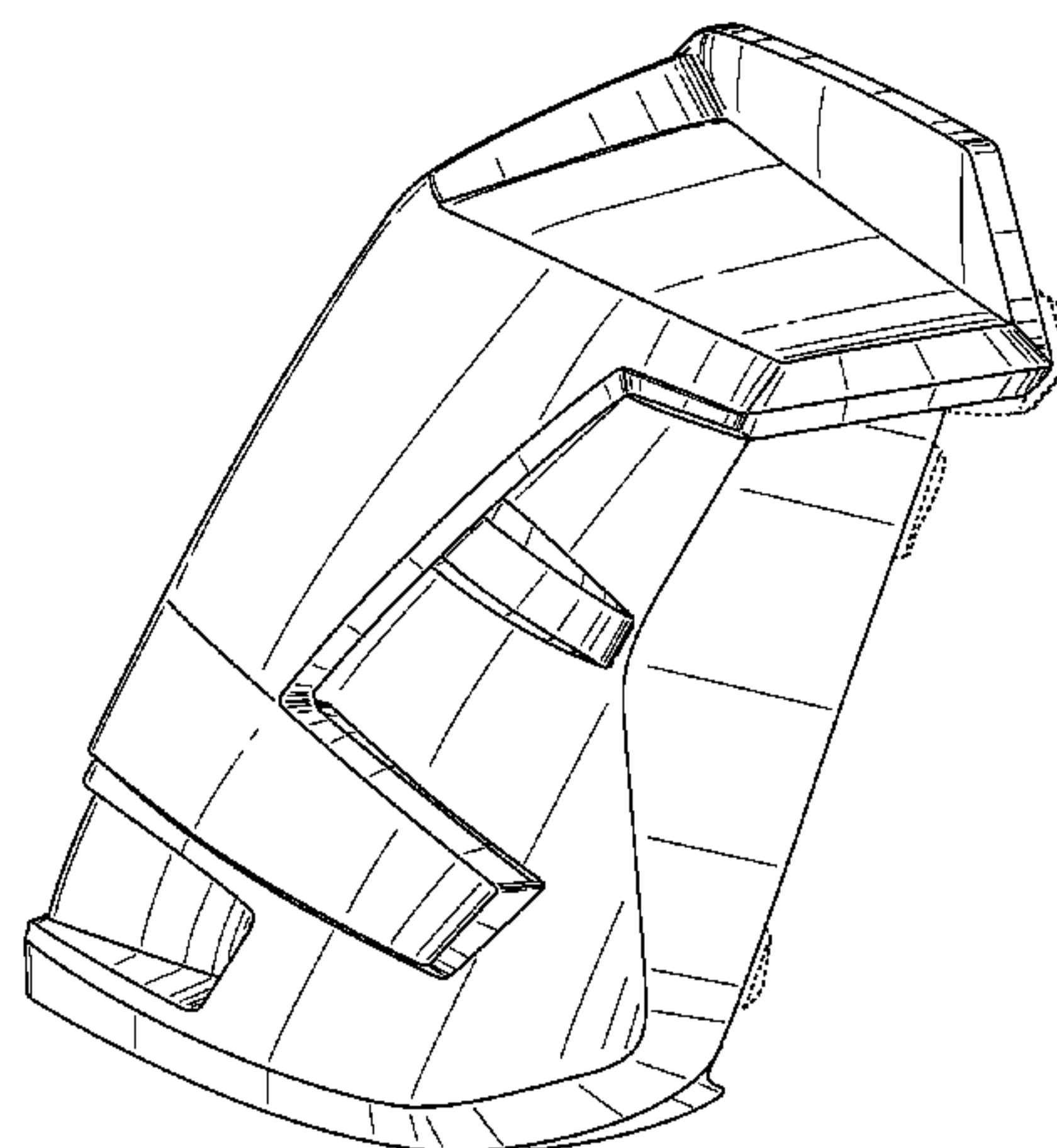
FIG. 12 is a right side elevation view thereof;

FIG. 13 is a top plan view thereof; and,

FIG. 14 is a bottom plan view thereof.

Throughout the Figures, the broken lines immediately adjacent the shaded areas represent boundaries of the claimed design while all other broken lines illustrate unclaimed portions of the snowmobile side panel and form no part of the claimed design.

1 Claim, 14 Drawing Sheets



US D587,168 S

Page 2

U.S. PATENT DOCUMENTS

D342,220 S	12/1993	Hornai	D488,404 S	4/2004	Cadotte et al.
D346,137 S	4/1994	Hornai	D493,121 S	7/2004	Sanschagrin et al.
D389,780 S	1/1998	Komatsu et al.	D493,390 S	7/2004	Sanschagrin et al.
D403,272 S	12/1998	Cadotte et al.	D494,100 S	8/2004	Sanschagrin et al.
D403,273 S	12/1998	Cadotte et al.	D494,502 S	8/2004	Sanschagrin et al.
D438,821 S	3/2001	Cadotte et al.	D494,503 S	8/2004	Sanschagrin et al.
D446,166 S	8/2001	Cadotte et al.	D494,504 S	8/2004	Sanschagrin et al.
D457,106 S	5/2002	Cadotte et al.	D494,505 S	8/2004	Sanschagrin et al.
D457,202 S	5/2002	Baskin et al.	D494,889 S	8/2004	Sanschagrin et al.
D466,049 S	11/2002	Cadotte	D495,274 S	8/2004	Sanschagrin et al.
D468,547 S	1/2003	Cadotte et al.	D495,973 S	9/2004	Cadotte et al.
D477,247 S	7/2003	Cadotte et al.	D496,883 S	10/2004	Sanschagrin et al.
D477,248 S	7/2003	Cadotte et al.	D499,669 S	12/2004	Sanschagrin et al.
D478,297 S	8/2003	Cadotte et al.	D505,889 S	6/2005	Girouard et al.
D478,532 S	8/2003	Crepeau et al.	D510,058 S *	9/2005	Lin D12/110
D479,490 S	9/2003	Cadotte et al.	D511,998 S	11/2005	Deluy
D479,696 S	9/2003	Cadotte et al.	D512,662 S	12/2005	Deluy
D479,697 S	9/2003	Cadotte et al.	D515,457 S	2/2006	Deluy
D479,813 S	9/2003	Cadotte et al.	D541,192 S	4/2007	Jokelainen
D479,814 S	9/2003	Cadotte et al.	D548,136 S	8/2007	Musselman
D479,815 S	9/2003	Crepeau et al.	D548,137 S	8/2007	Curthelet
D479,816 S	9/2003	Crepeau et al.	D548,645 S	8/2007	Curthelet
D480,019 S	9/2003	Cadotte et al.	D552,506 S	10/2007	Deluy
D480,020 S	9/2003	Crepeau et al.	D563,271 S	3/2008	Curthelet
D487,233 S	3/2004	Cadotte et al.	2005/0103546 A1 *	5/2005	Bedard et al. 180/186
D487,413 S	3/2004	Cadotte et al.			
D488,094 S	4/2004	Cadotte et al.			
D488,095 S	4/2004	Cadotte et al.			
D488,096 S	4/2004	Cadotte et al.			
D488,097 S	4/2004	Cadotte et al.			
D488,098 S	4/2004	Cadotte et al.			

OTHER PUBLICATIONS

U.S. Appl. No. 29/303,024, filed on Jan. 30, 2008. Title: Snowmobile Hood.

U.S. Appl. No. 29/303,026, filed on Jan. 30, 2008. Title: Snowmobile Side Panel.

* cited by examiner

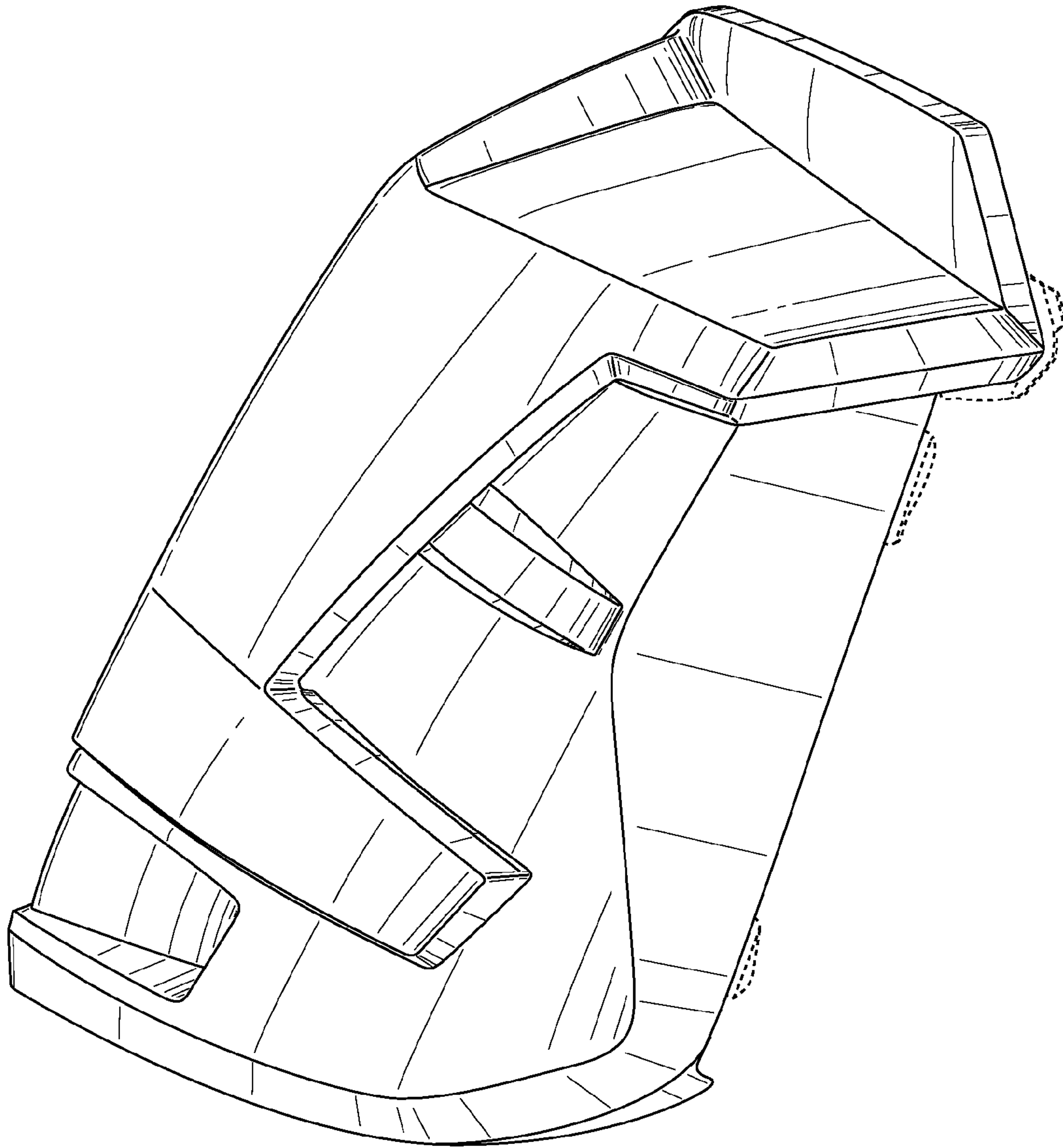


FIG. 1

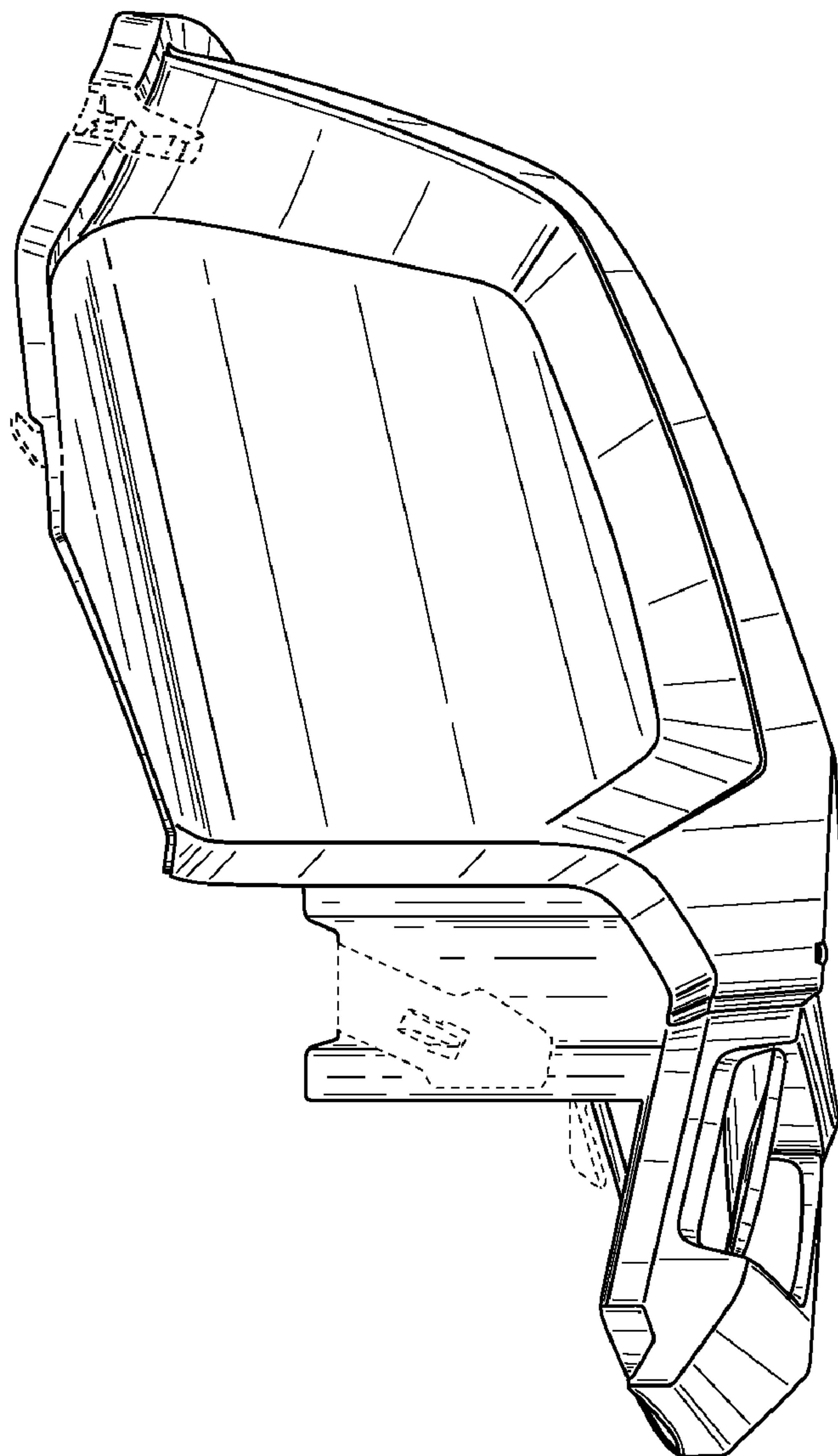


FIG. 2

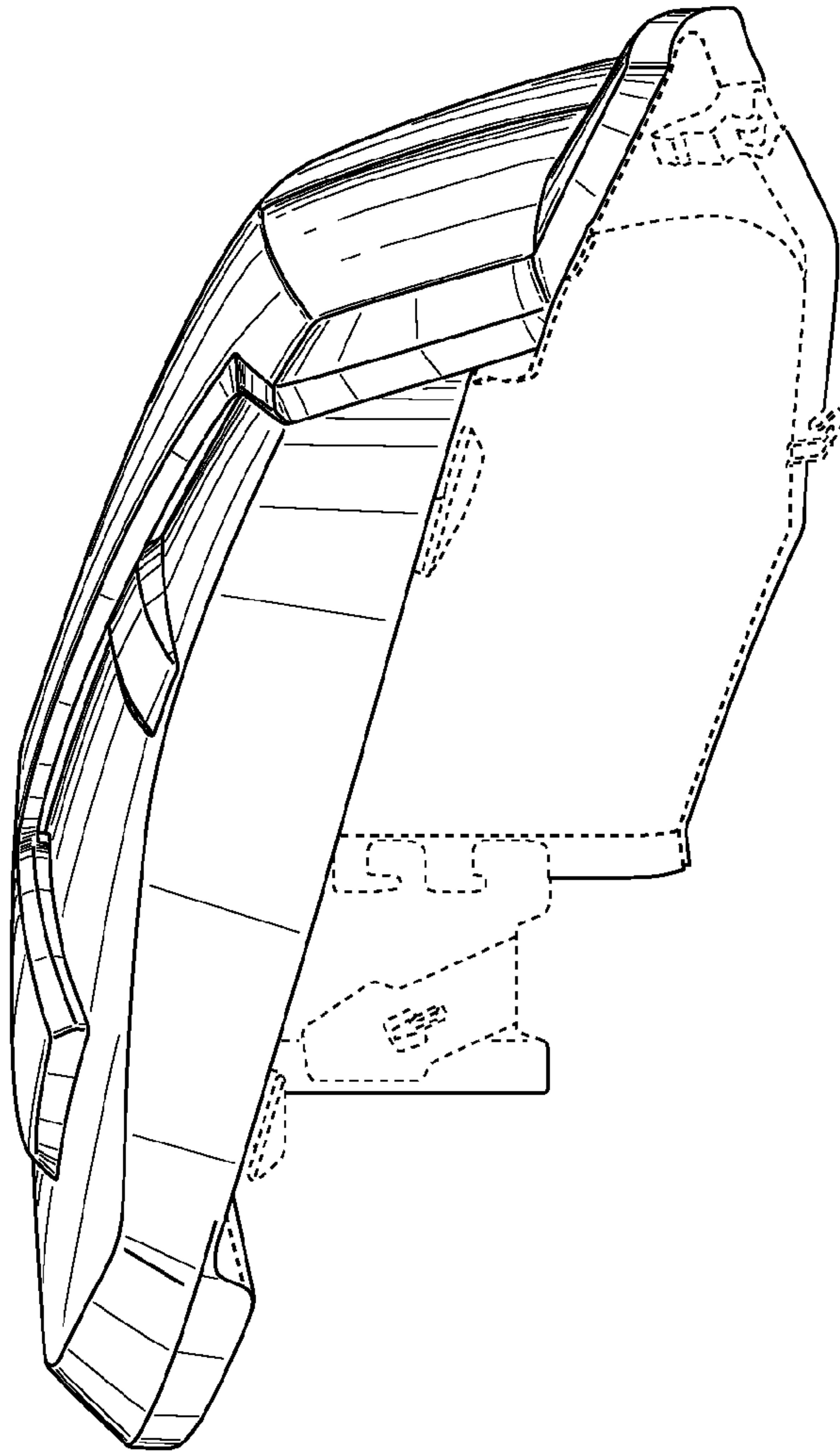


FIG. 3

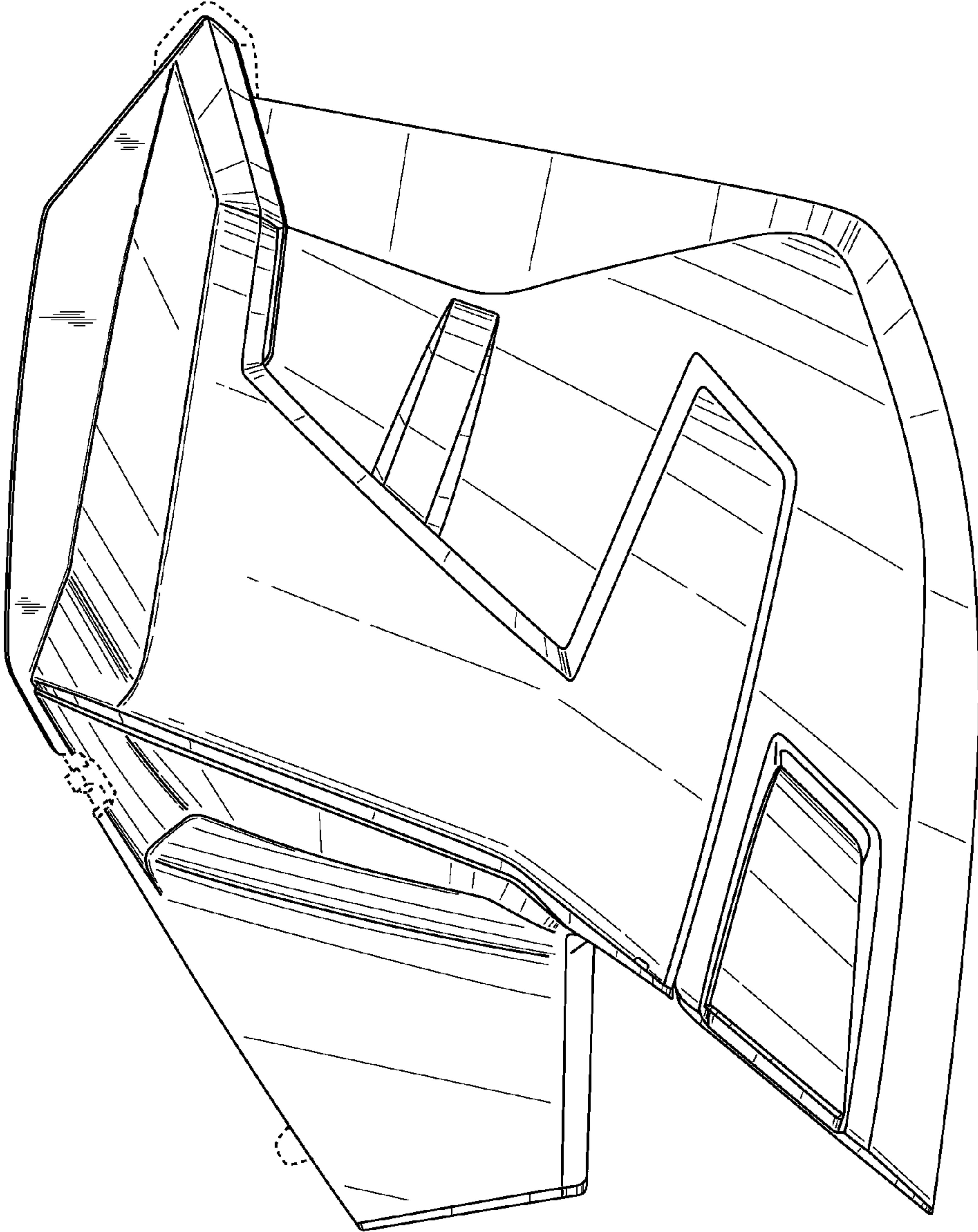


FIG. 4

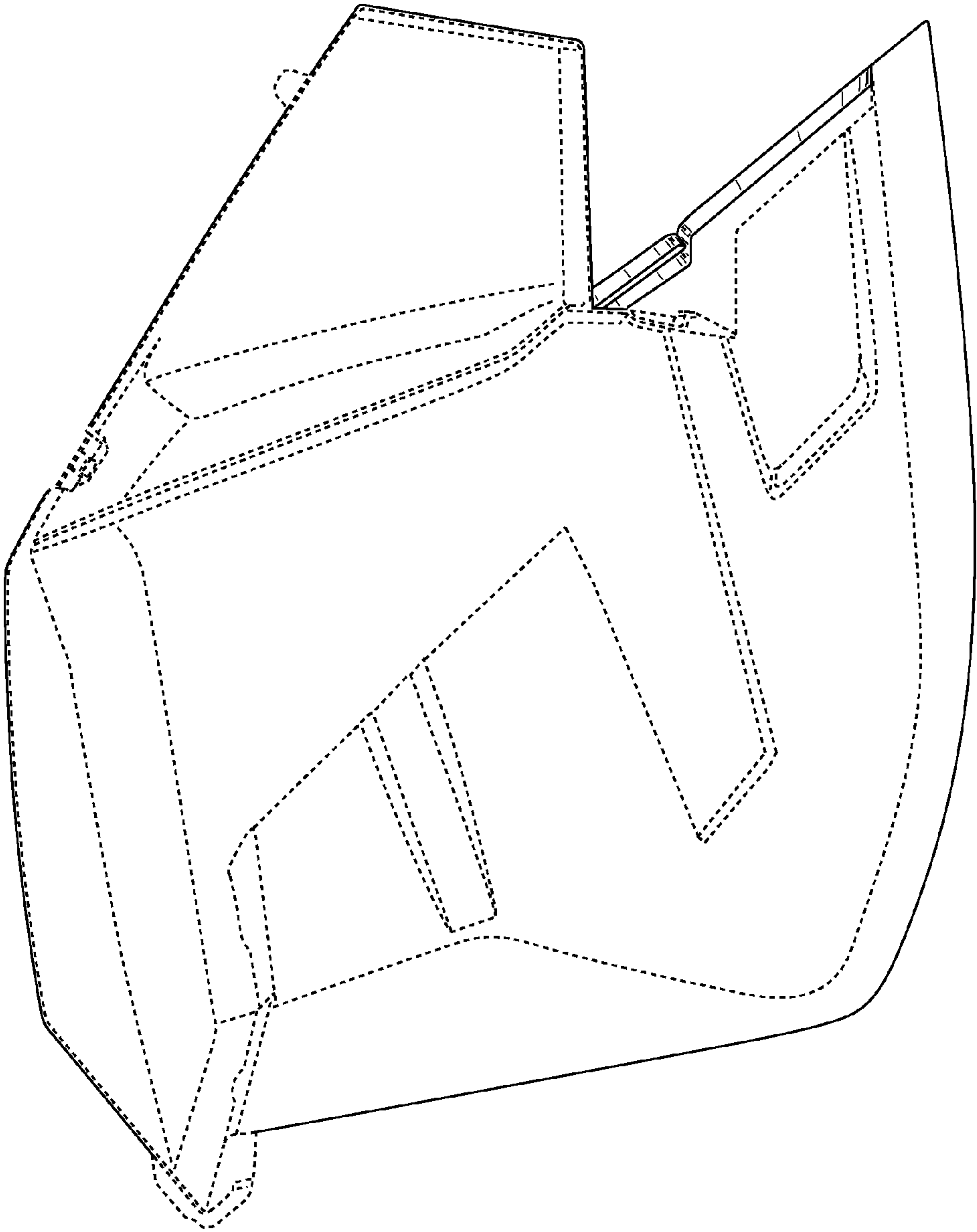


FIG. 5

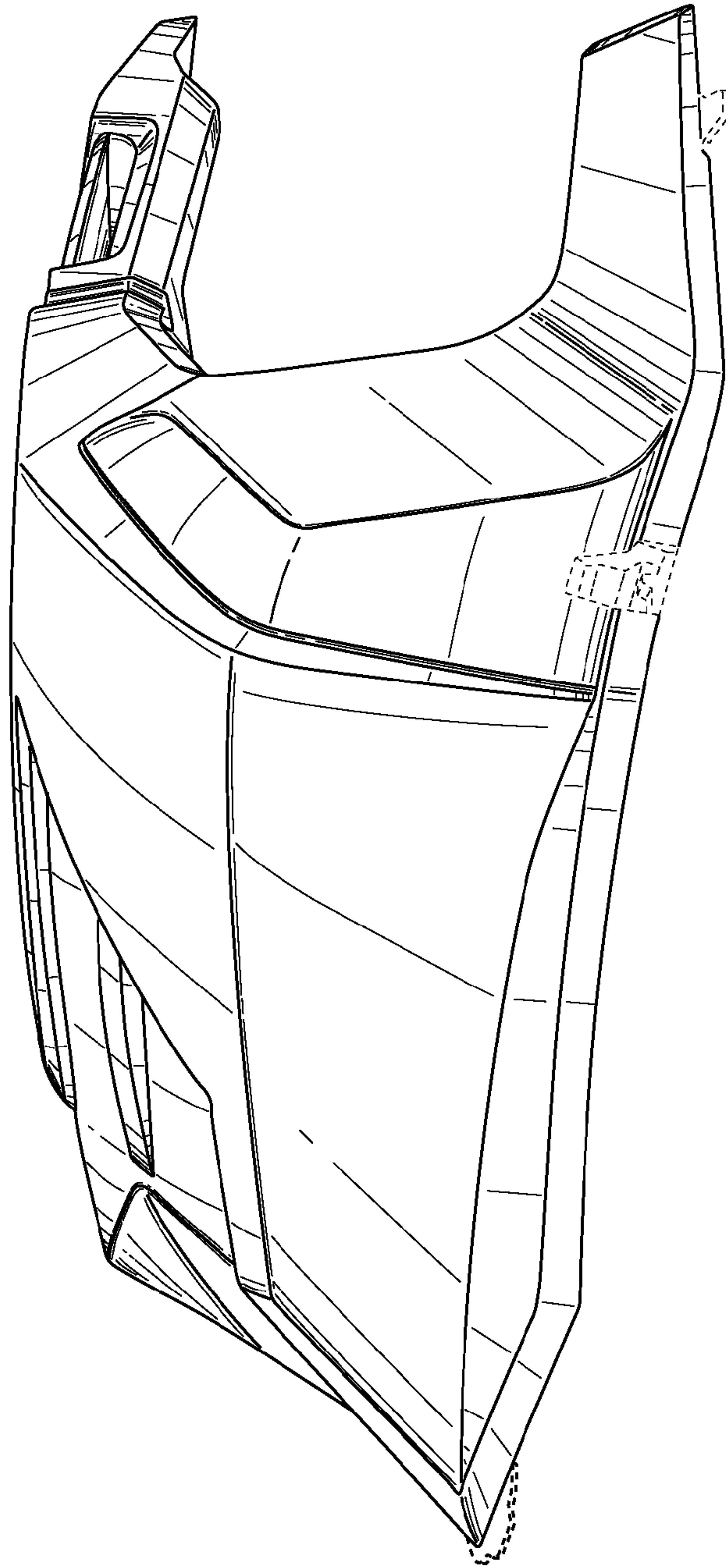


FIG. 6

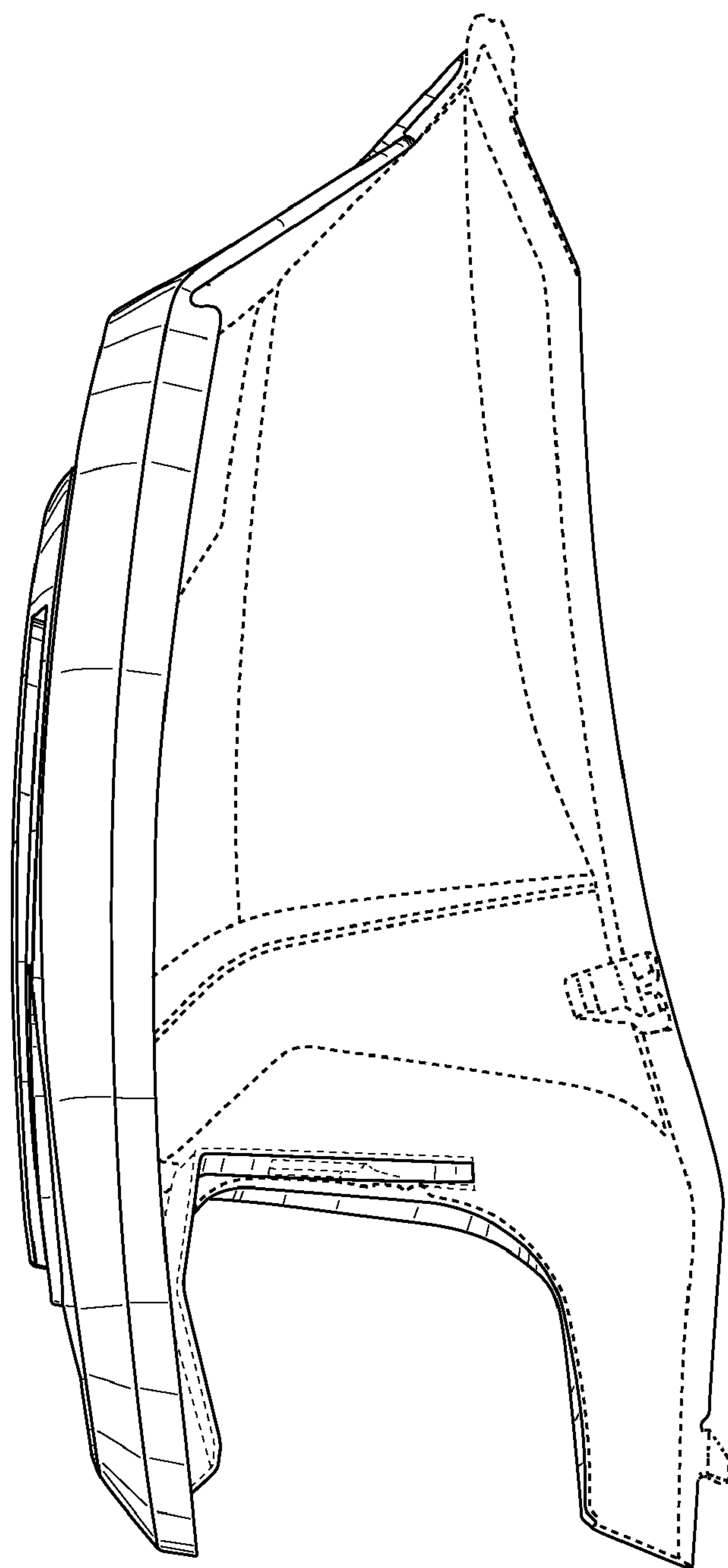


FIG. 7

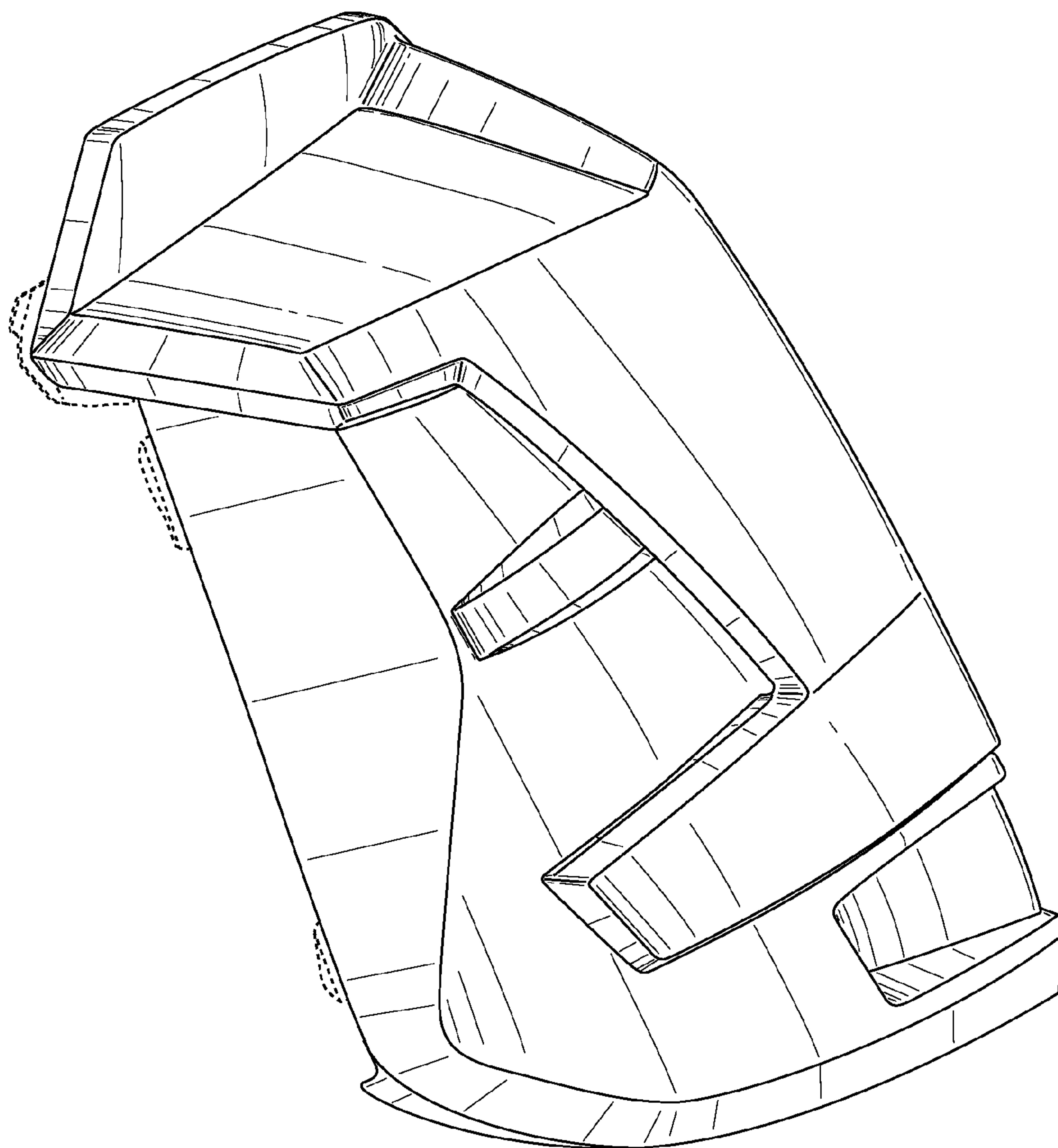


FIG. 8

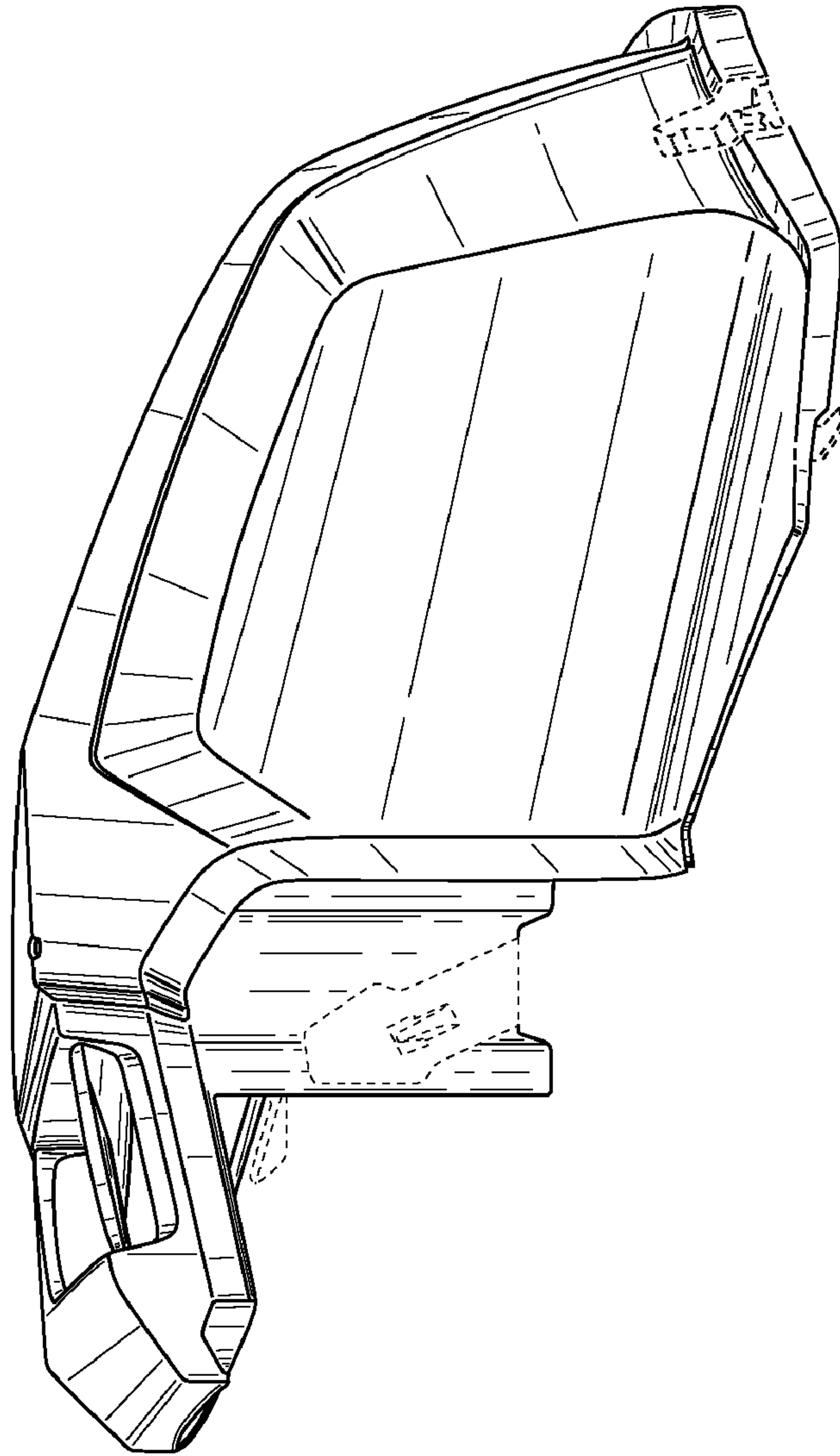


FIG. 9

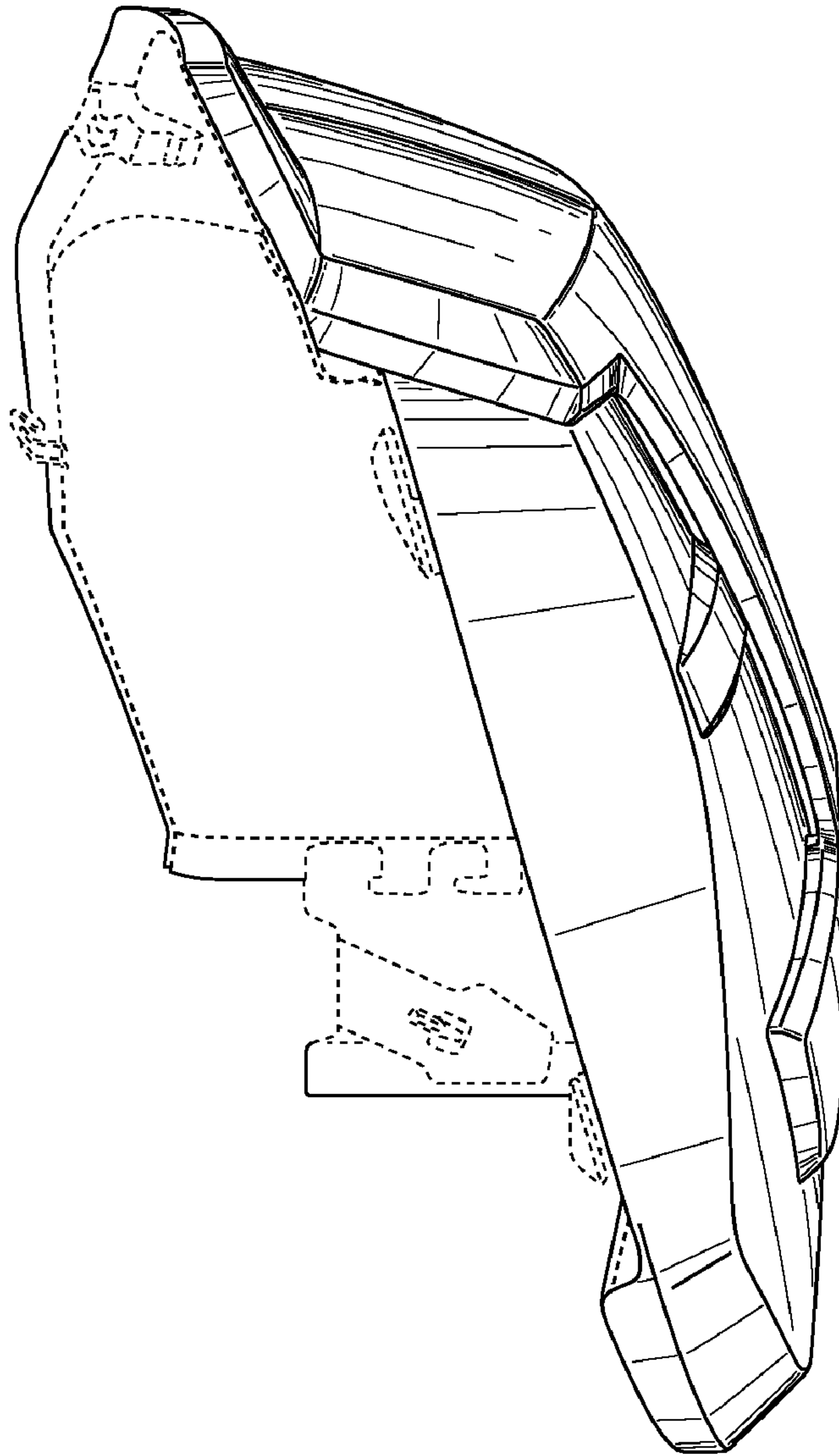


FIG. 10

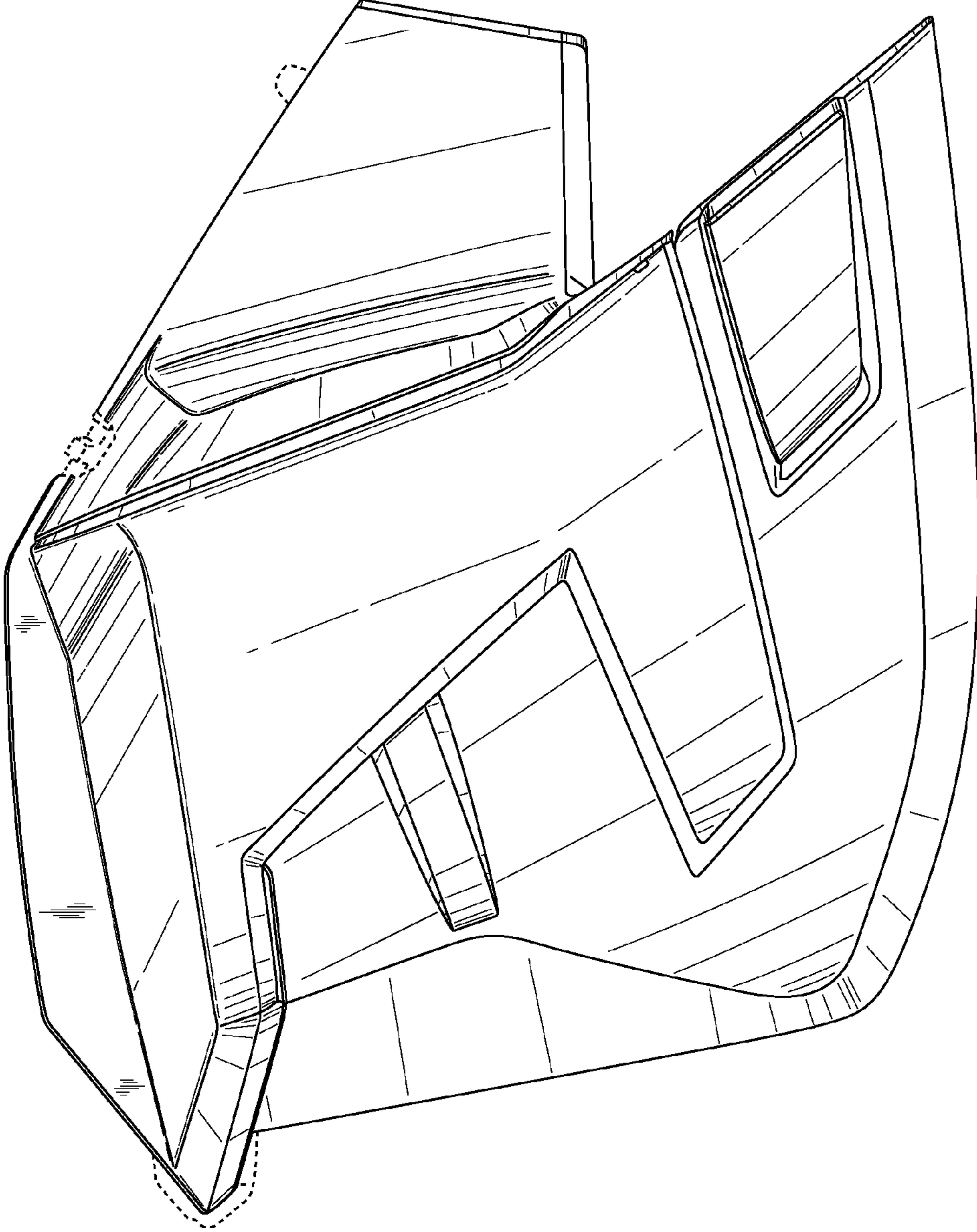


FIG. 11

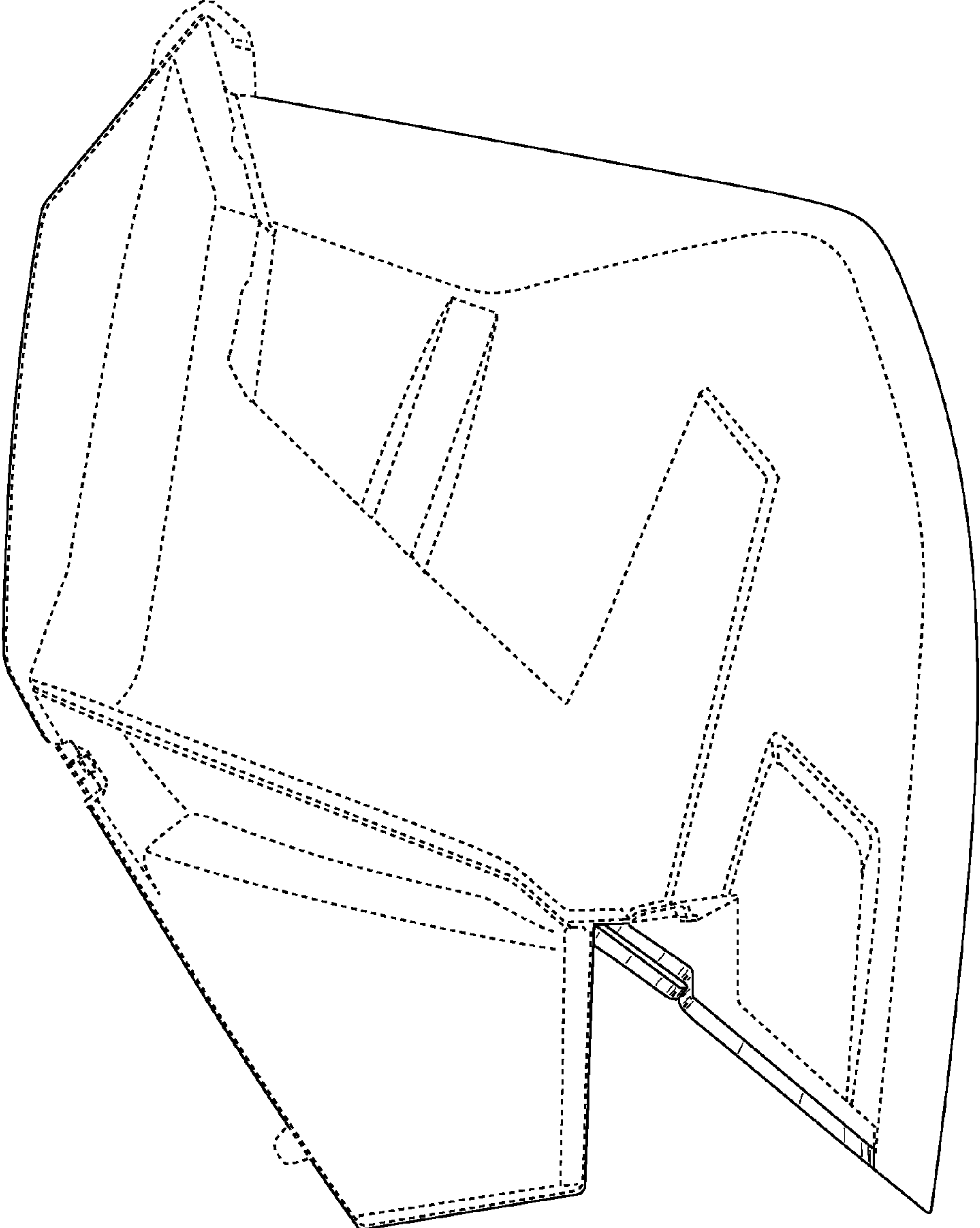


FIG. 12

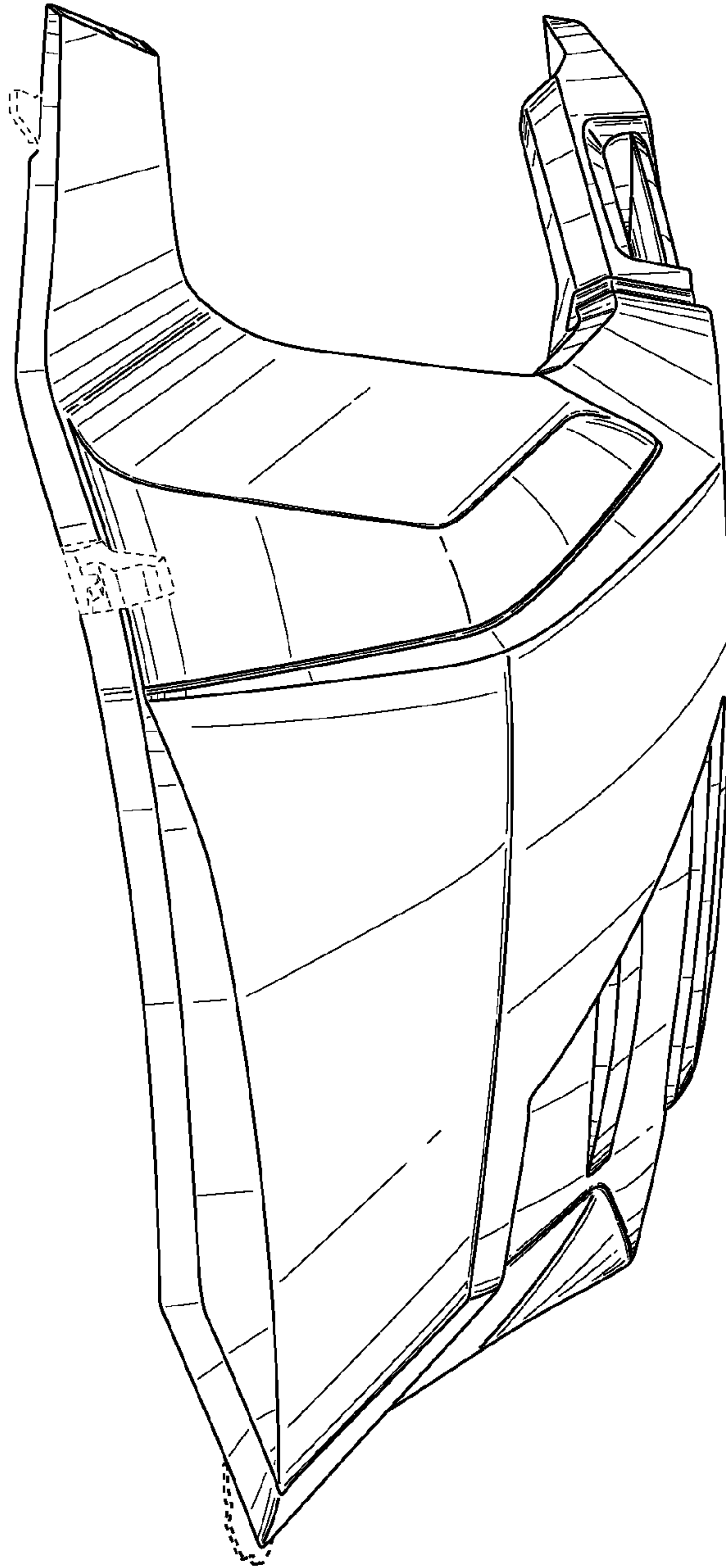


FIG. 13

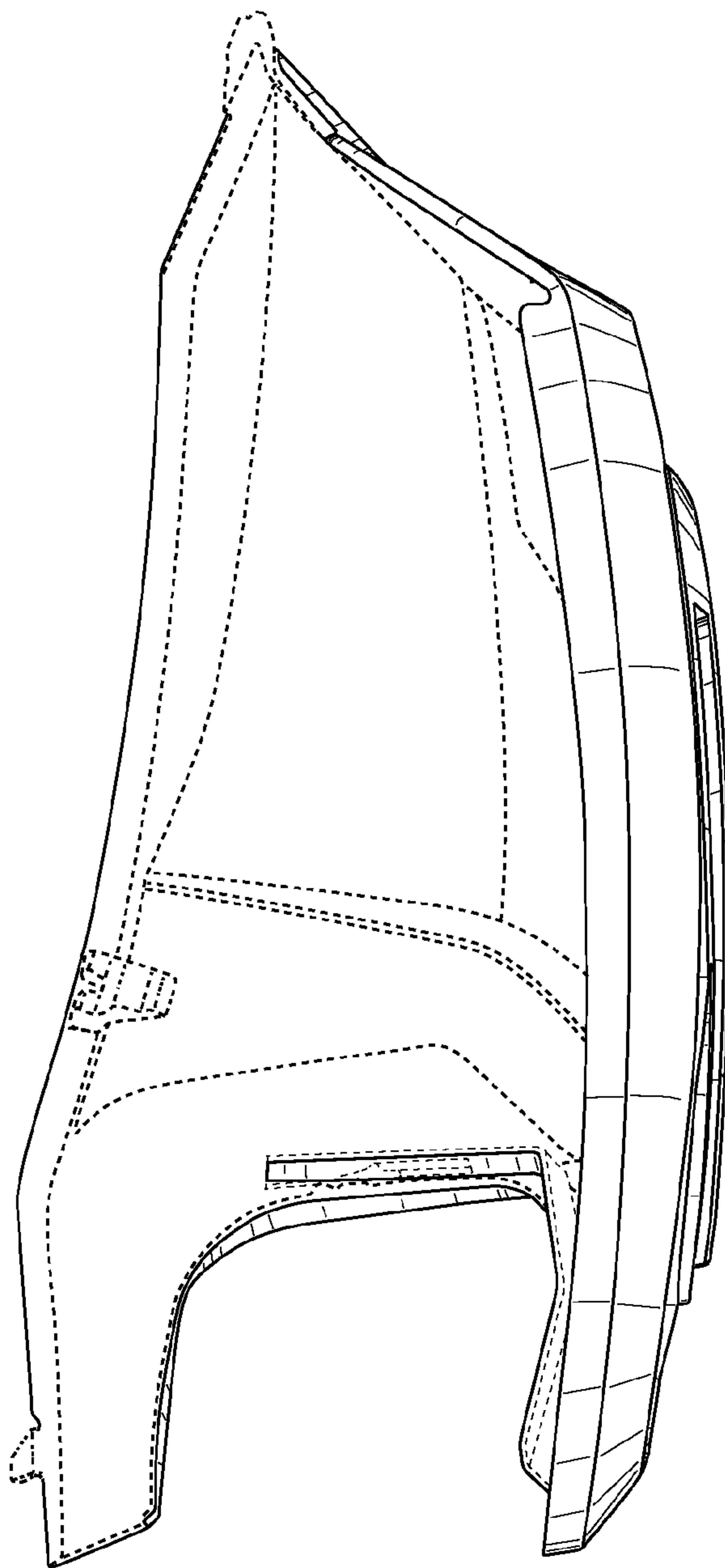


FIG. 14