



US00D587159S

(12) **United States Design Patent**
Dholakiya

(10) **Patent No.:** **US D587,159 S**

(45) **Date of Patent:** **** *Feb. 24, 2009**

(54) **DIAMOND SETTING**

(76) Inventor: **Hasmukh Dholakiya**, 15 W. 47th St.,
Suite #303, New York, NY (US) 10036

(*) Notice: This patent is subject to a terminal disclaimer.

(**) Term: **14 Years**

(21) Appl. No.: **29/323,988**

(22) Filed: **Sep. 4, 2008**

(51) **LOC (9) Cl.** **11-01**

(52) **U.S. Cl.** **D11/91**

(58) **Field of Classification Search** D11/89-93,
D11/1, 2, 6-12, 16, 24-28, 34-43, 79, 70,
D11/222, 47, 75; 63/1.11-14.1, 13, 15-15.4,
63/20, 22, 23, 26-33

See application file for complete search history.

(56) **References Cited**

U.S. PATENT DOCUMENTS

D483,687 S	*	12/2003	Chan	D11/91
D485,509 S	*	1/2004	Shagalov	D11/91
D496,604 S	*	9/2004	Pinto et al.	D11/91
D508,868 S	*	8/2005	Pinto et al.	D11/92
D515,451 S	*	2/2006	Pinto et al.	D11/7
D537,380 S	*	2/2007	Emelyanov	D11/91
D538,696 S	*	3/2007	Azrielant	D11/28
D542,694 S	*	5/2007	Schweizer	D11/34
D542,695 S	*	5/2007	Schweizer	D11/34
D553,543 S	*	10/2007	Kothari	D11/92

D556,083 S	*	11/2007	Kothari	D11/91
D560,136 S	*	1/2008	Grassi Damiani	D11/34
D577,307 S	*	9/2008	Gurfinkel	D11/91

* cited by examiner

Primary Examiner—T. Chase Nelson

Assistant Examiner—David G Muller

(74) *Attorney, Agent, or Firm*—Jennifer Meredith, Esq.;
Meredith & Keyhani, PLLC

(57) **CLAIM**

The ornamental design for a diamond setting, as shown and described.

DESCRIPTION

FIG. 1 is a top view of a diamond setting according to the present invention

FIG. 2 is a front elevation view thereof;

FIG. 3 is a side elevation view thereof;

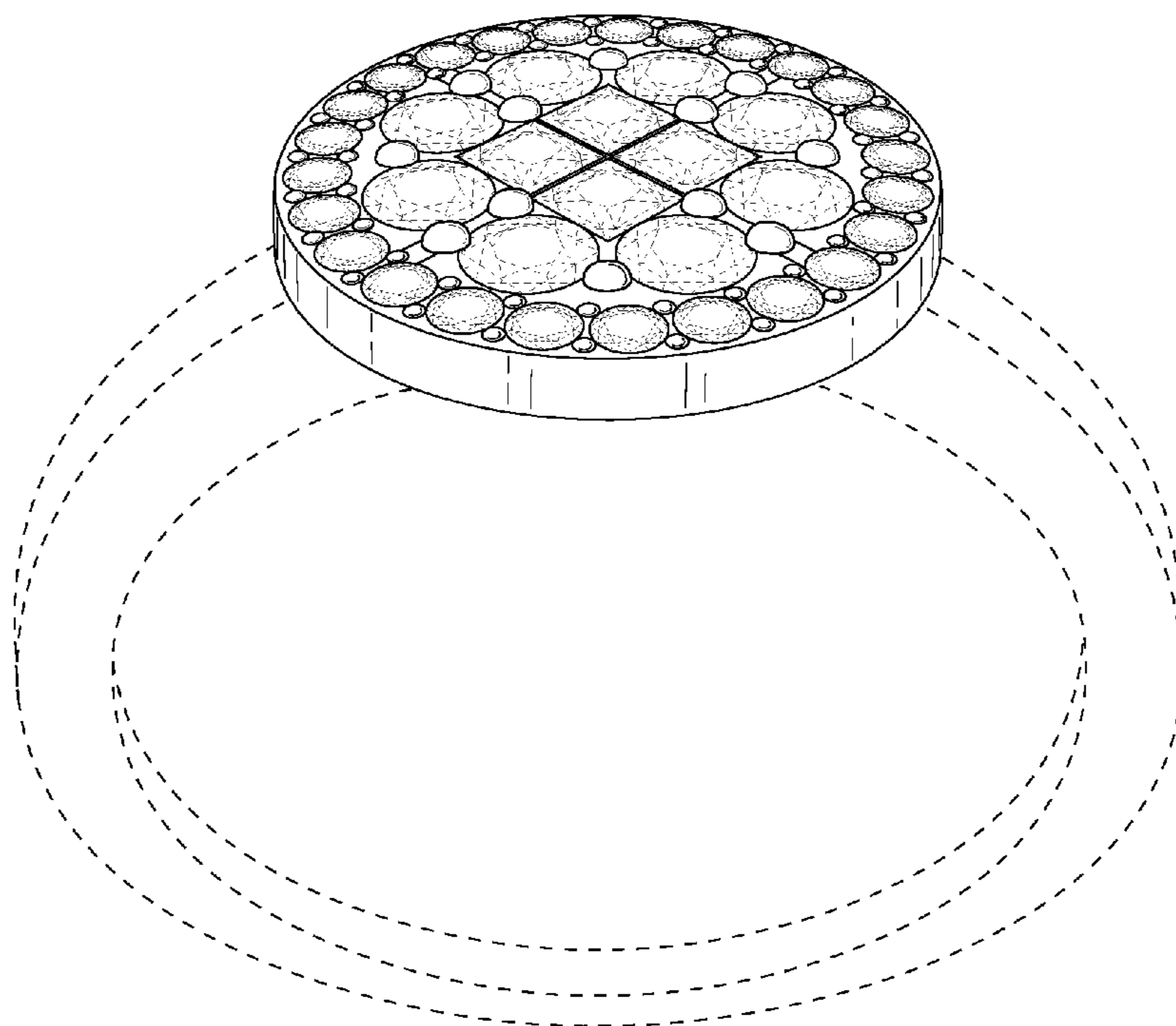
FIG. 4 is a perspective view thereof;

FIG. 5 is a perspective view thereof attached to a necklace, the necklace and attachment loop shown in broken line forming no part of the claimed design; and,

FIG. 6 is a perspective view thereof attached to an earring fastener, the fastener shown in broken line forming no part of the claimed design.

The ring shown in broken lines in FIGS. 1-4 and the gem facets shown in broken lines depict environmental subject matter only and form no part of the claimed design.

1 Claim, 6 Drawing Sheets



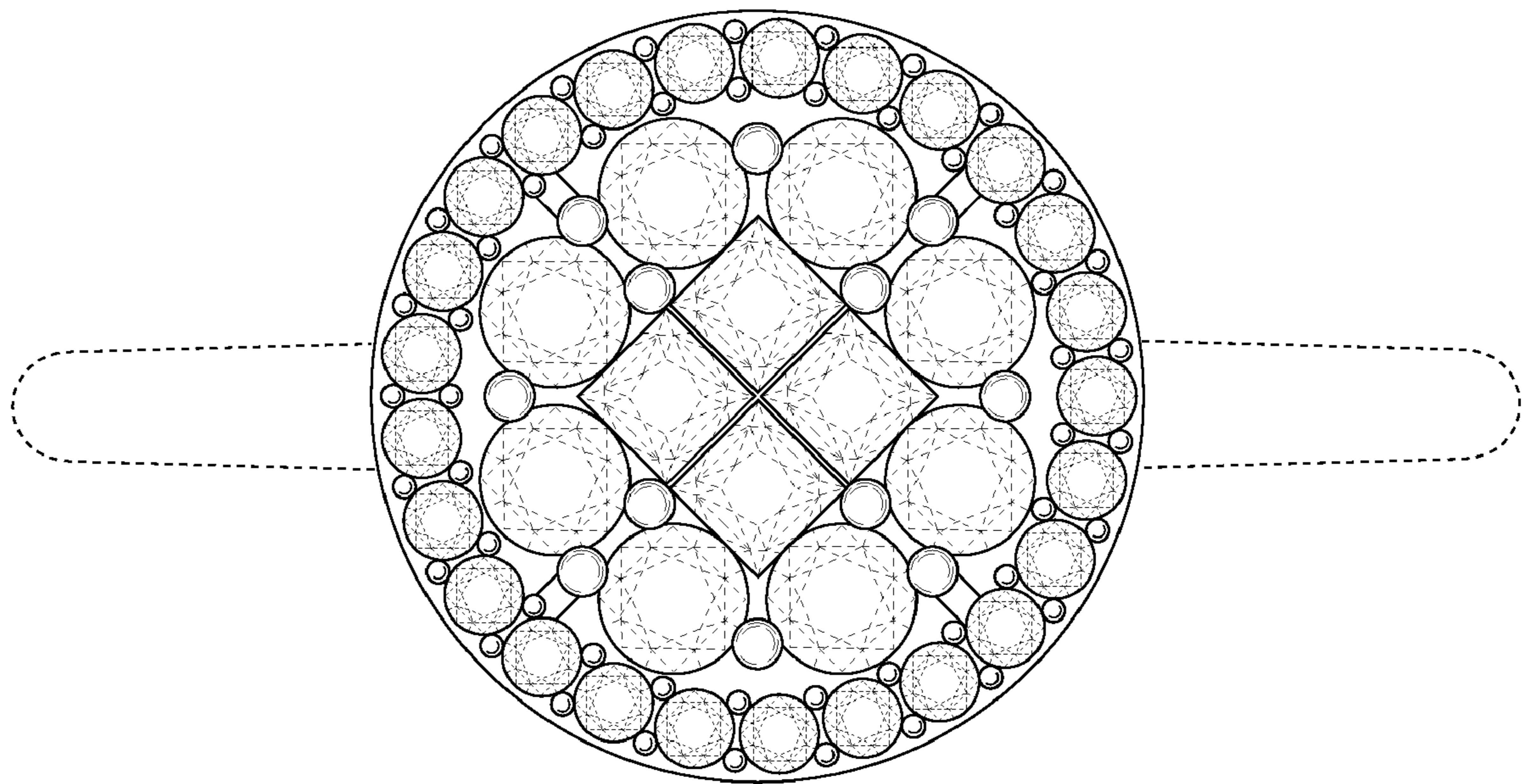


Fig. 1

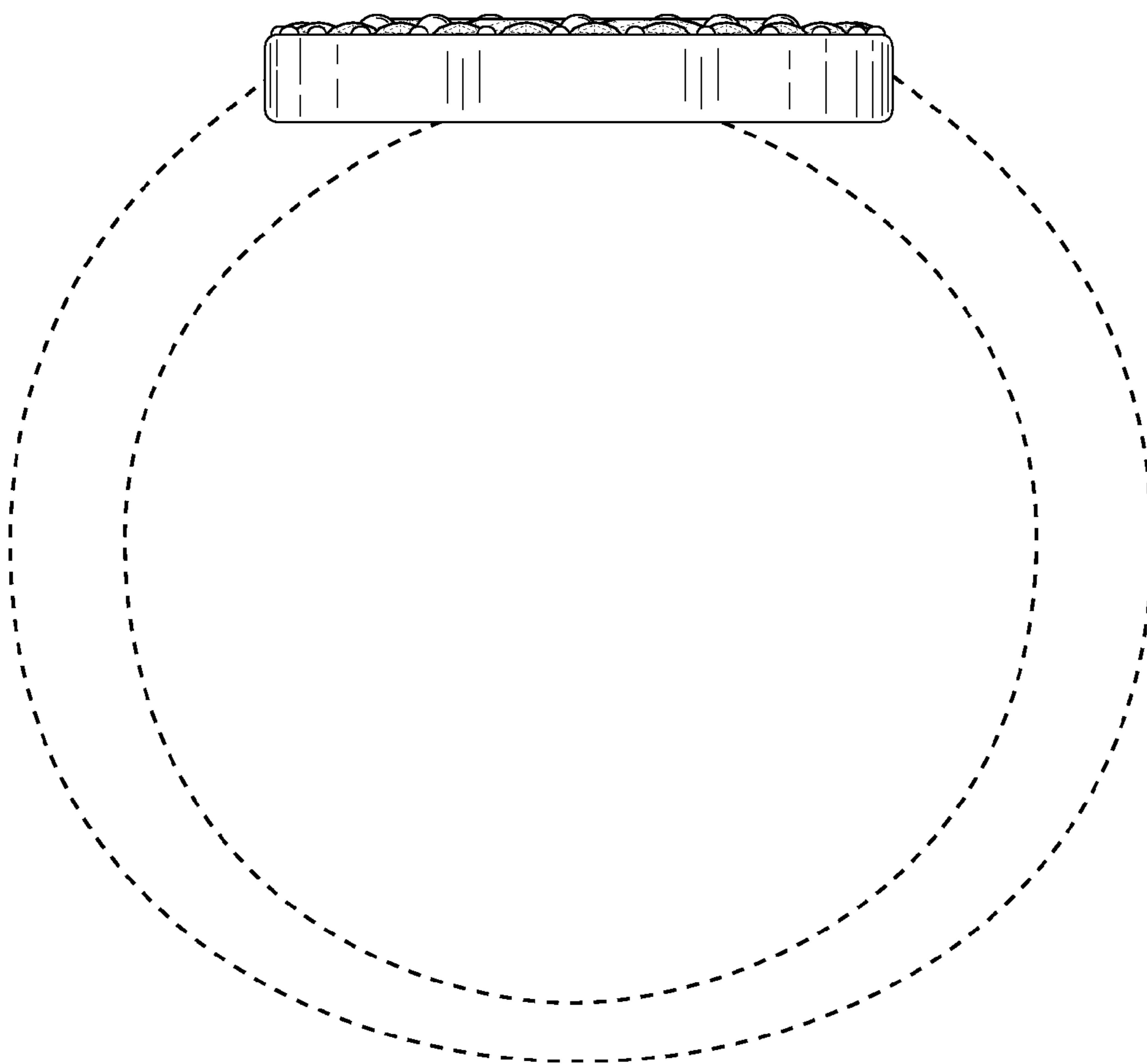


Fig. 2

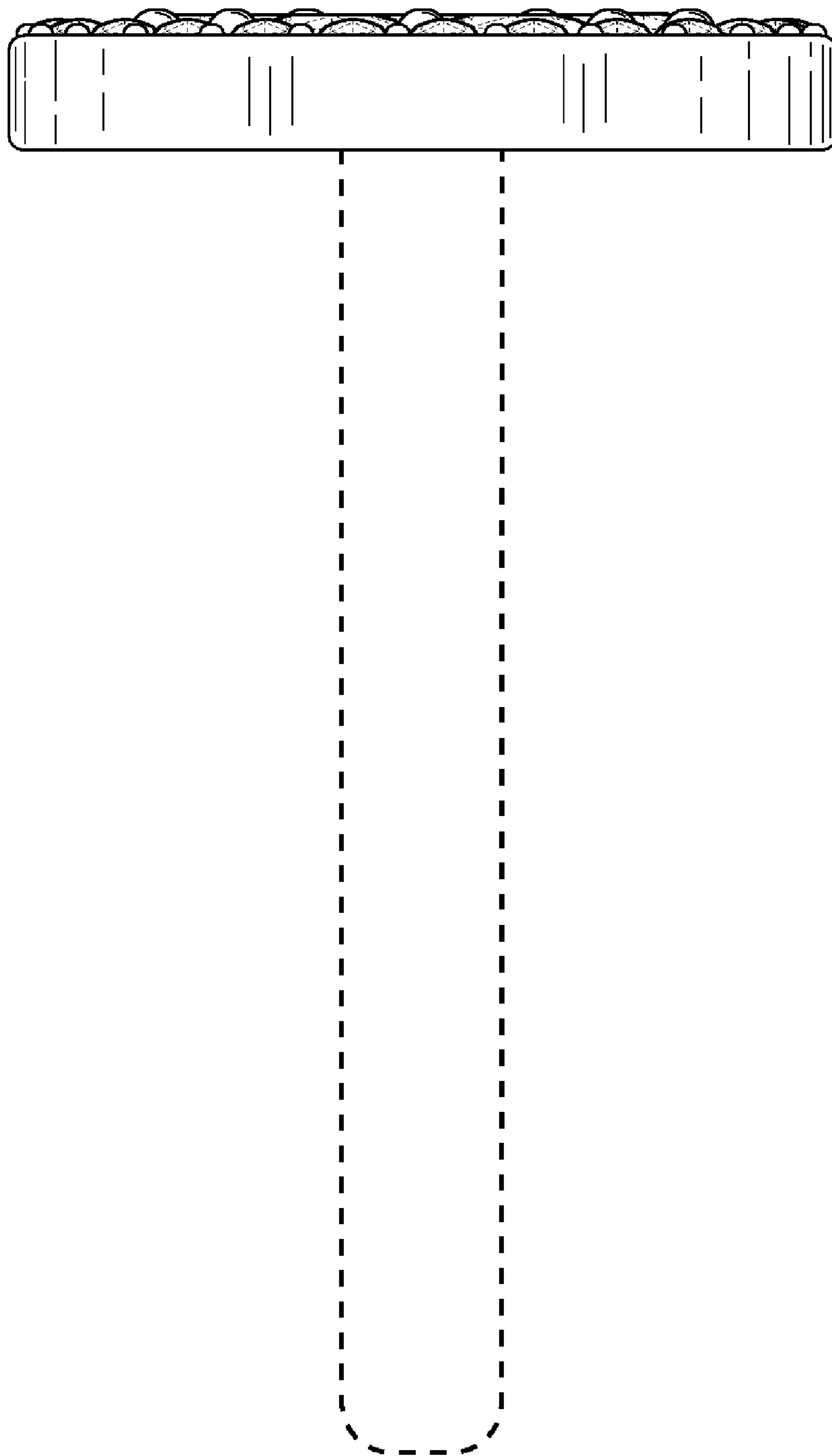


Fig. 3

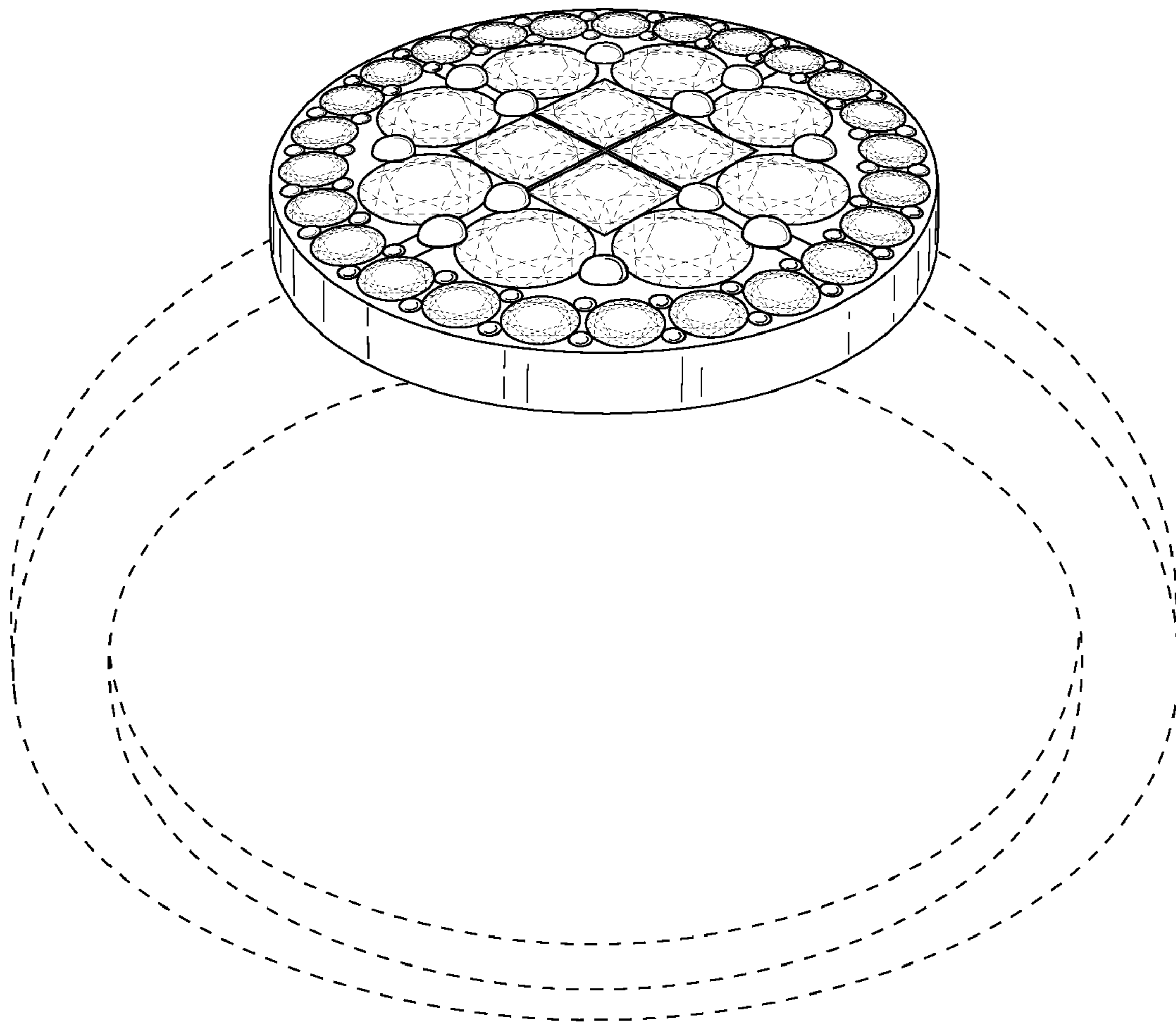


Fig. 4

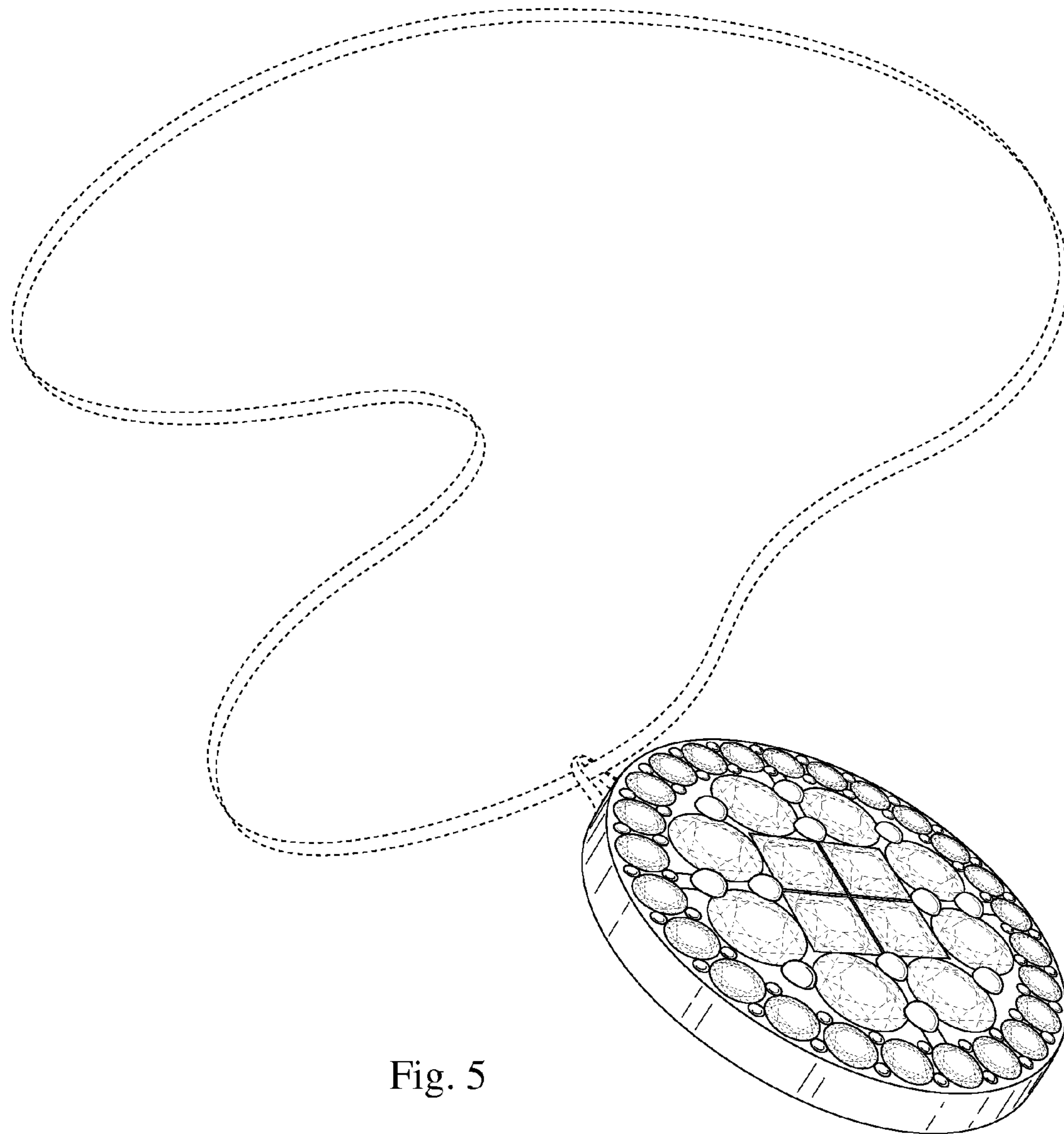


Fig. 5

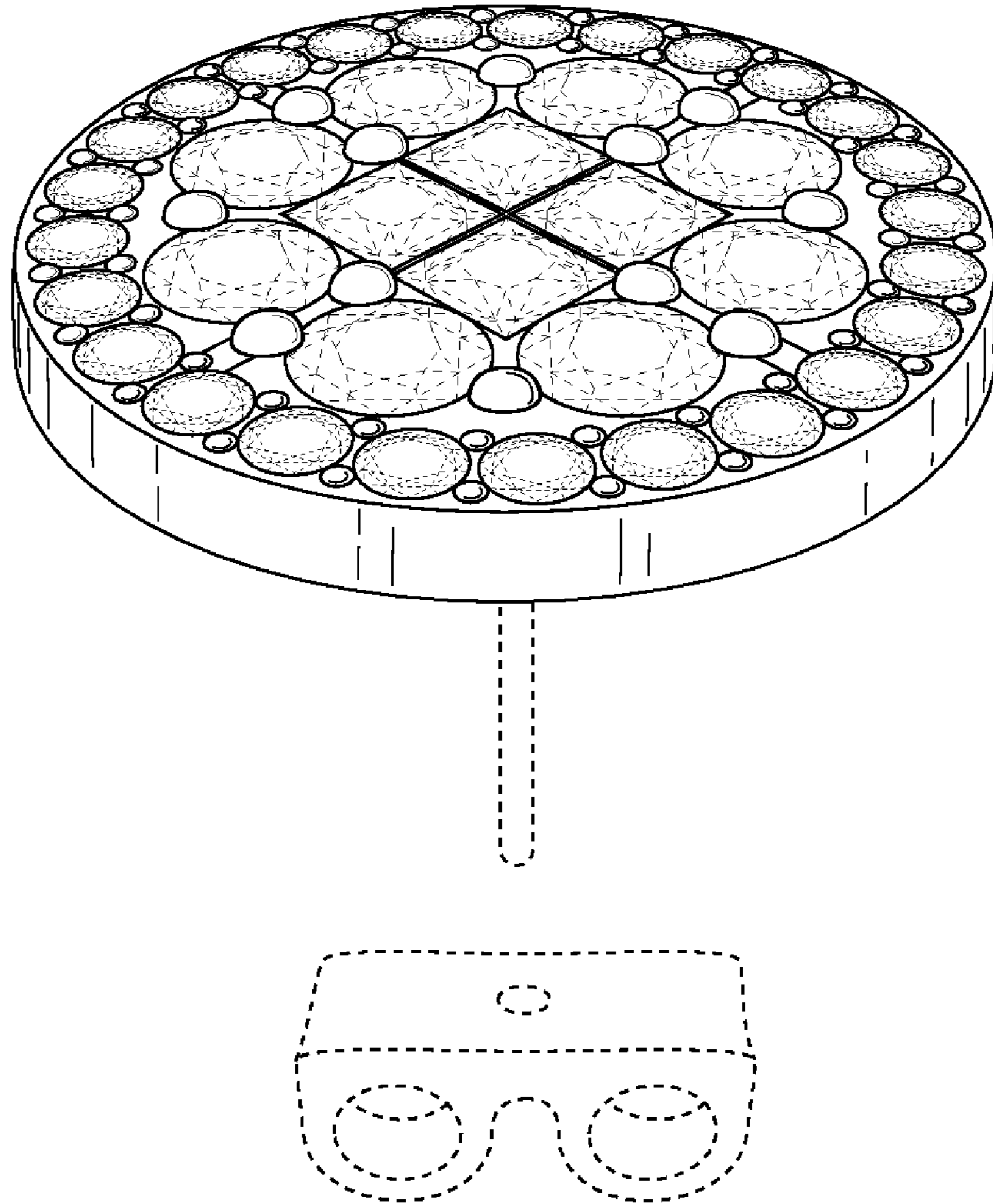


Fig. 6