



US00D587150S

(12) **United States Design Patent**
Mertens

(10) **Patent No.:** **US D587,150 S**
(45) **Date of Patent:** **** Feb. 24, 2009**

(54) **EMERGENCY VEHICLE DETECTOR**

(57) **CLAIM**

(76) **Inventor:** **Edward J. Mertens**, 1310 N. Pierce Rd.,
Spokane Valley, WA (US) 99206

The ornamental design for the emergency vehicle detector, as shown and described.

(**) **Term:** **14 Years**

DESCRIPTION

(21) **Appl. No.:** **29/301,650**

The ornamental design is for a emergency vehicle detector having a securing feature that can secure the apparatus to a visor such as a sun visor found in many vehicles. Also shown is the emergency vehicle detector without the optional securing feature.

(22) **Filed:** **Mar. 10, 2008**

(51) **LOC (9) Cl.** **10-04**

(52) **U.S. Cl.** **D10/70; D10/65; D10/78**

(58) **Field of Classification Search** **D10/65, D10/70, 78; 340/901-905; 455/59; 701/117**
See application file for complete search history.

FIG. 1 is a front elevation view of a first configuration of the novel design according hereto;

FIG. 2 is a rear elevation view thereof;

FIG. 3 is a left elevation view thereof;

FIG. 4 is a top elevation view thereof;

FIG. 5 is a bottom elevation view thereof.

FIG. 6 is a front elevation view of a second configuration of the novel design according hereto;

FIG. 7 is a rear elevation view thereof;

FIG. 8 is a left elevation view thereof;

FIG. 9 is a top elevation view thereof; and,

FIG. 10 is a bottom elevation view thereof.

(56) **References Cited**

U.S. PATENT DOCUMENTS

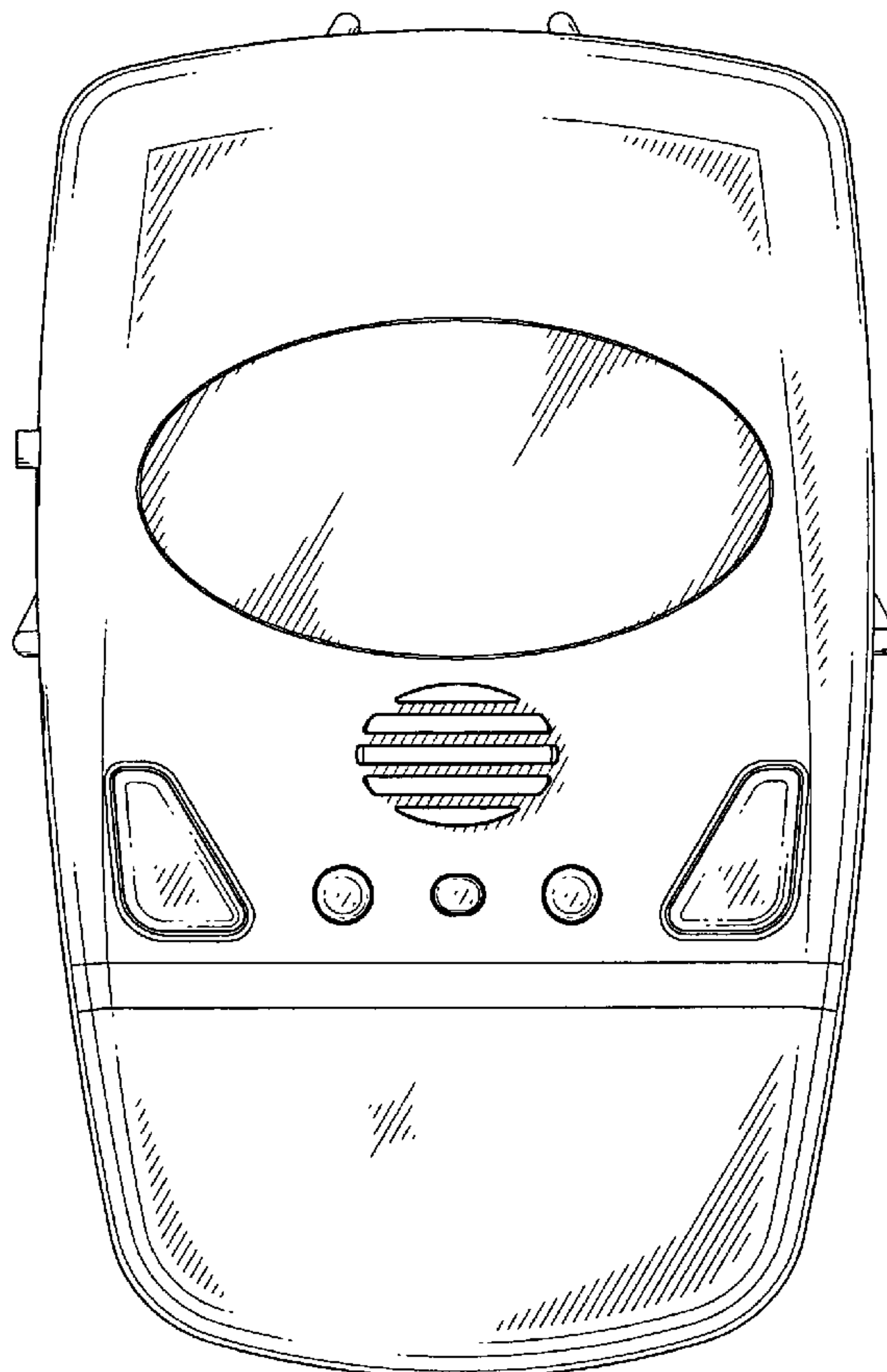
7,053,780	B1 *	5/2006	Straub et al.	340/601
D528,933	S *	9/2006	Hunter et al.	D10/78
D555,021	S *	11/2007	Rounds et al.	D10/81
D570,717	S *	6/2008	Elrod	D10/78

* cited by examiner

Primary Examiner—Antoine D Davis

(74) *Attorney, Agent, or Firm*—Randy A. Gregory

1 Claim, 8 Drawing Sheets



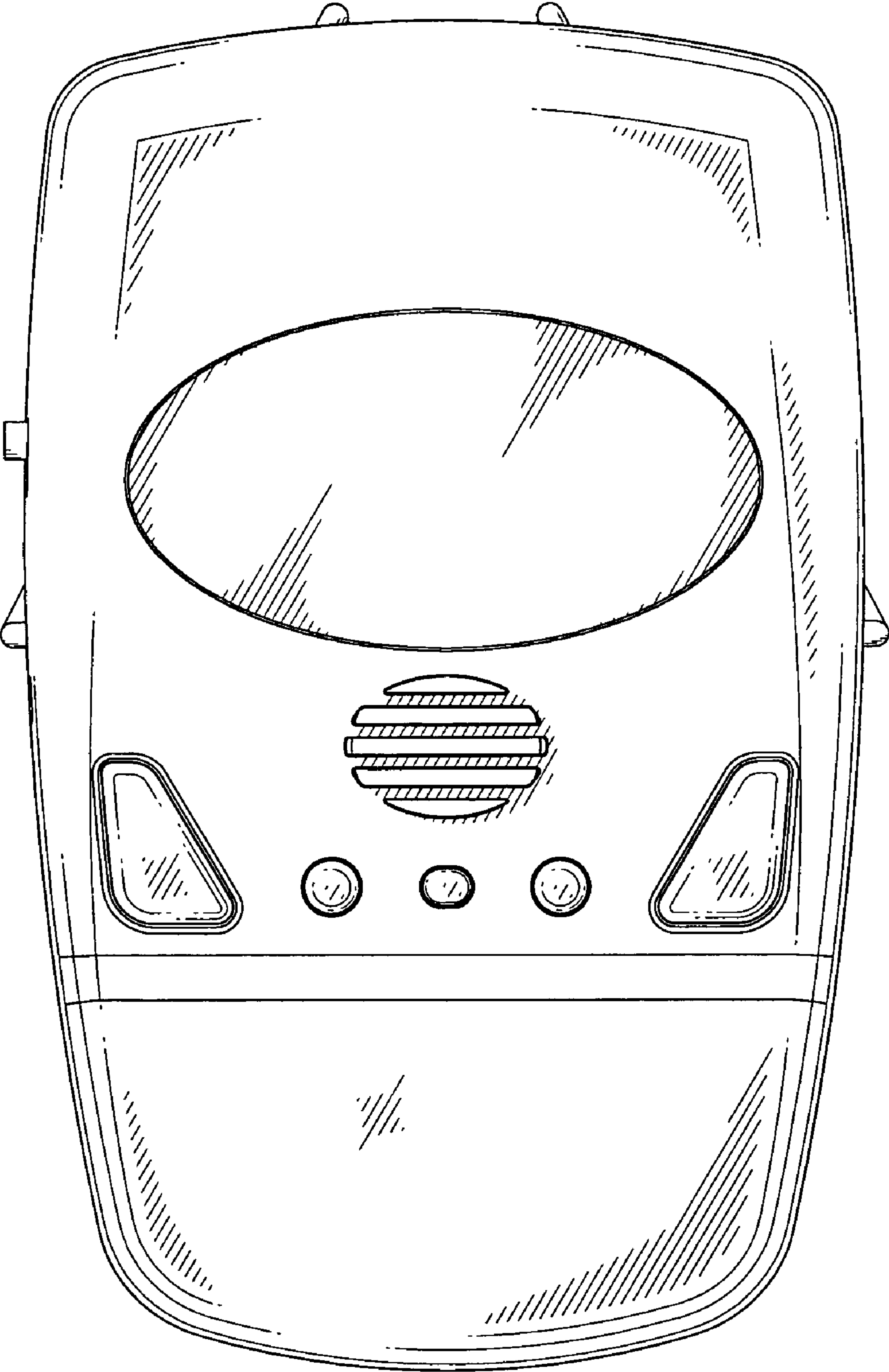


Fig. 1

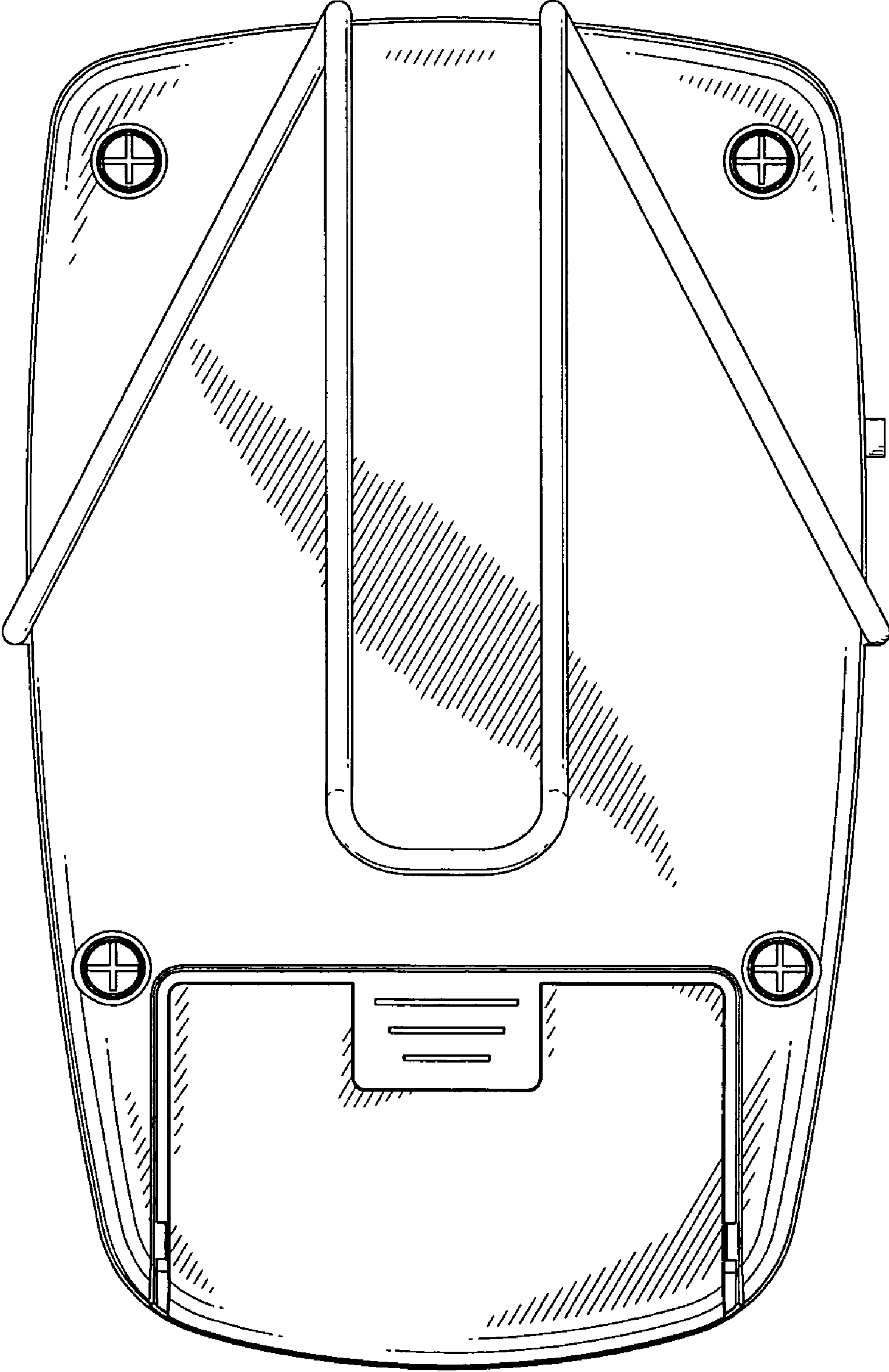


Fig. 2

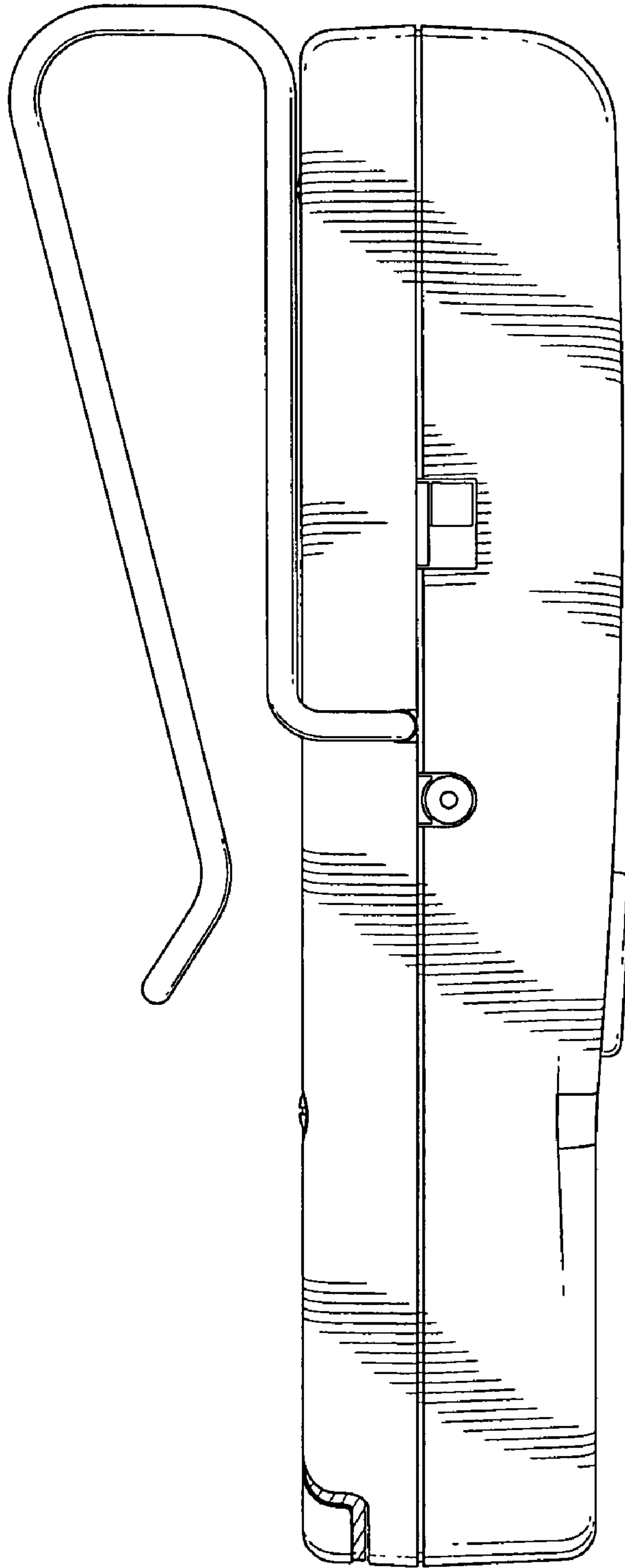


Fig. 3

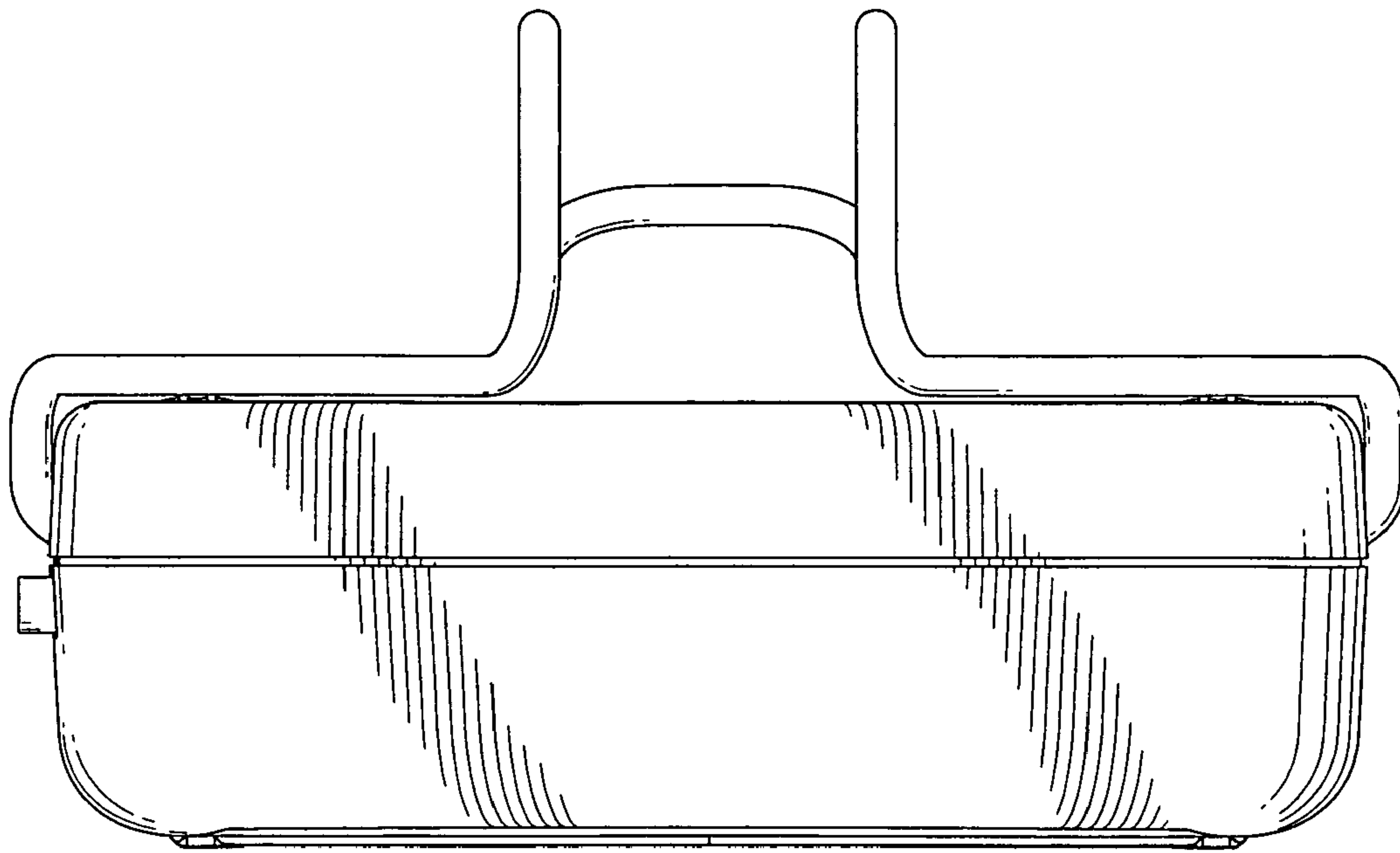


Fig. 4

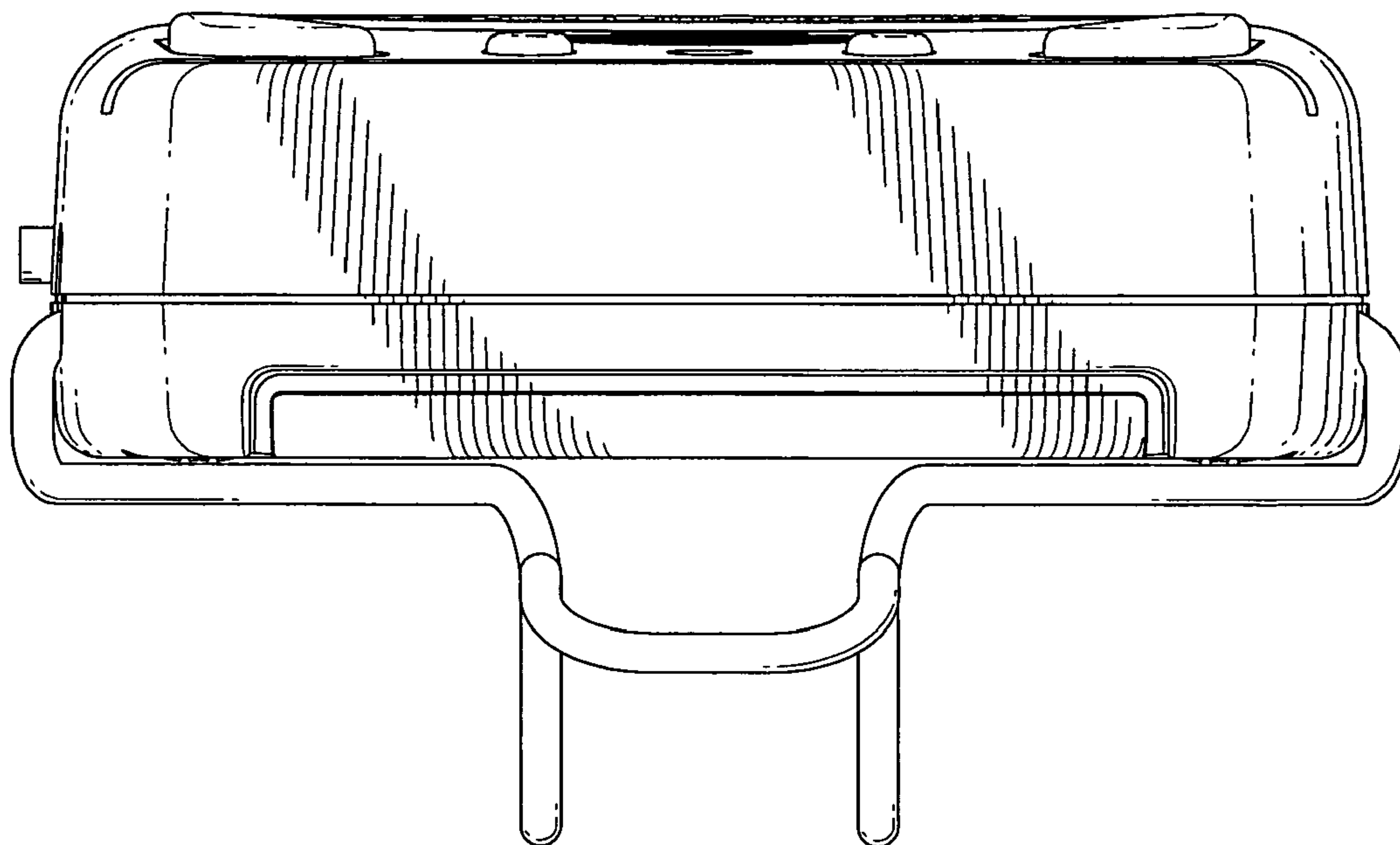


Fig. 5

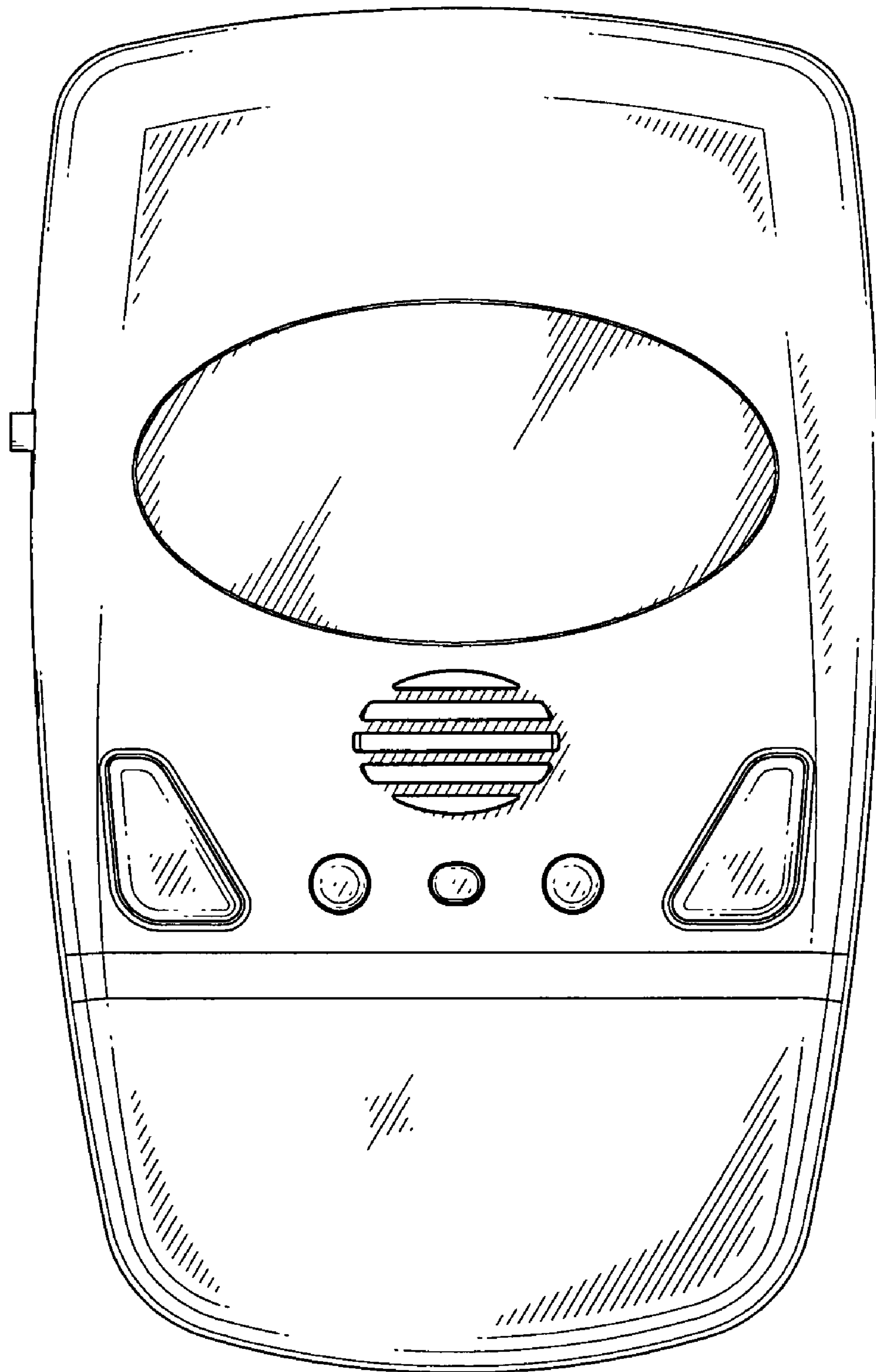


Fig. 6

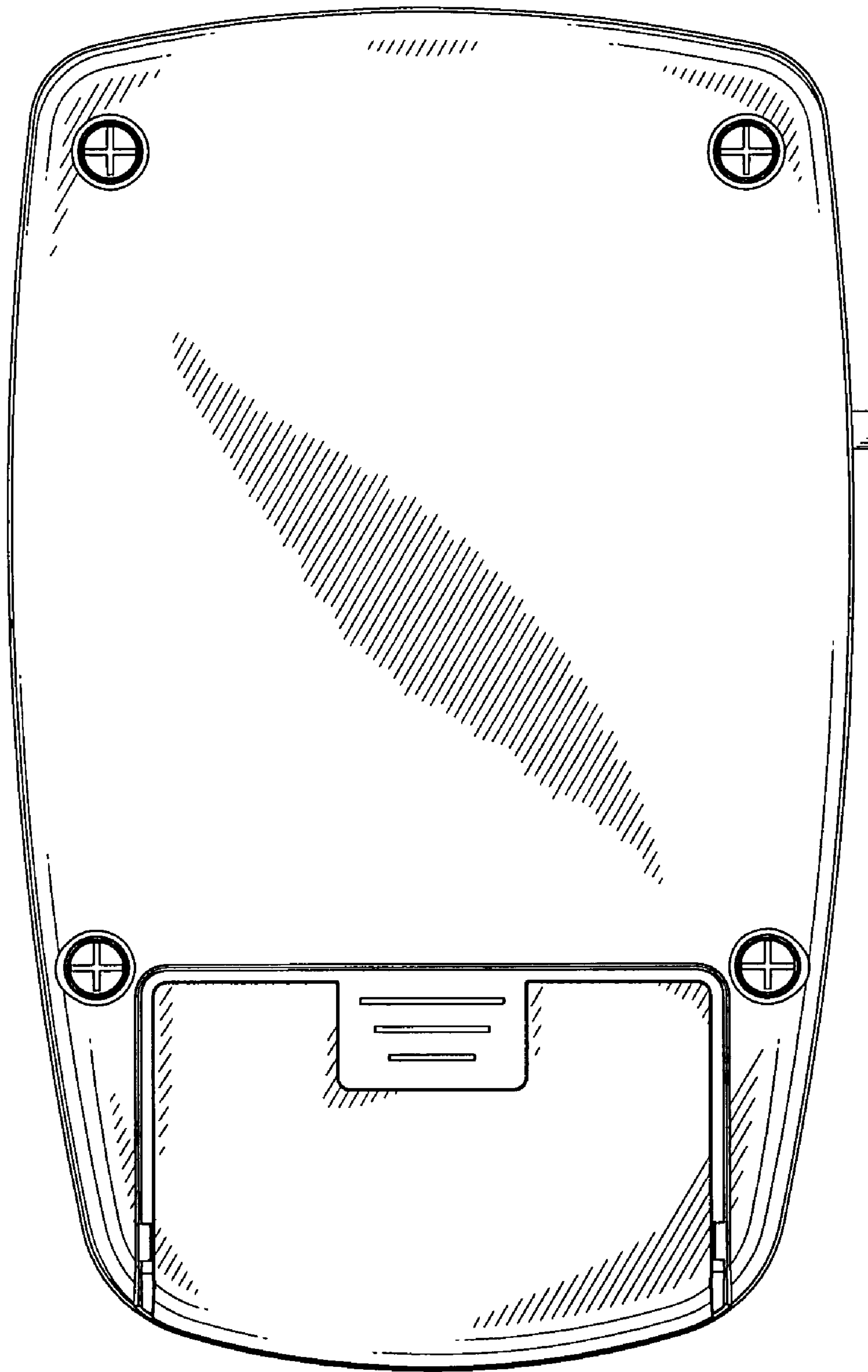


Fig. 7

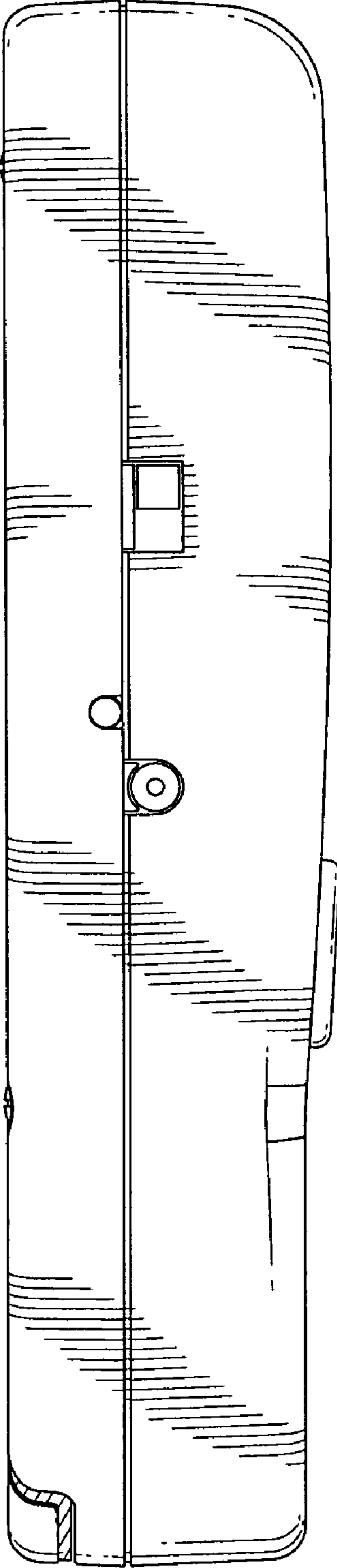


Fig. 8

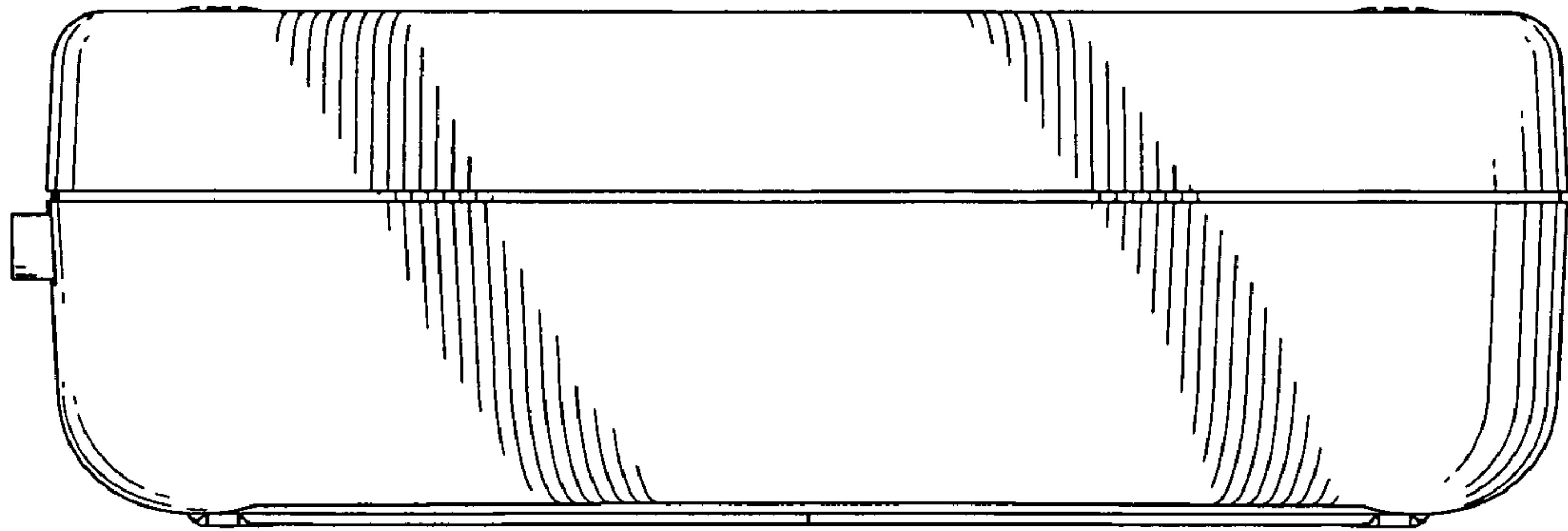


Fig. 9

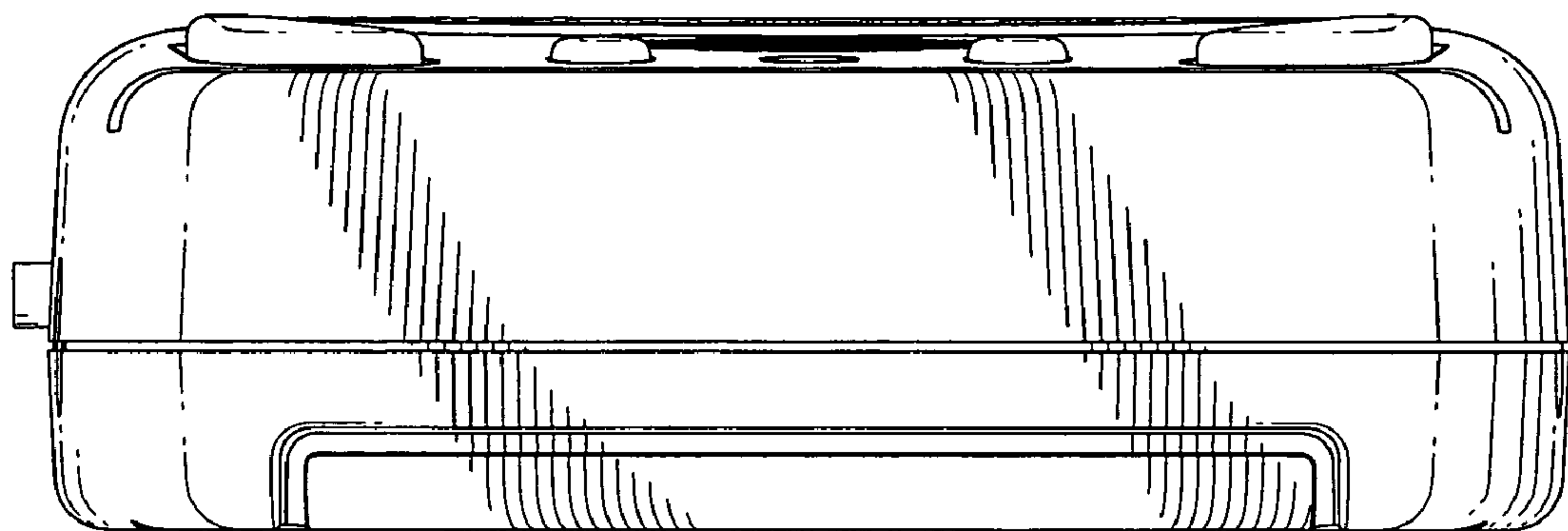


Fig. 10