



US00D587149S

(12) **United States Design Patent**
Ishii et al.

(10) **Patent No.:** **US D587,149 S**
(45) **Date of Patent:** **** Feb. 24, 2009**

(54) **LASER IRRADIATOR**

(75) Inventors: **Mitsuo Ishii**, Itabashi-ku (JP);
Kazufumi Suzuki, Shinjuku-ku (JP)

(73) Assignee: **Kabushiki Kaisha Topcon**, Tokyo (JP)

(**) Term: **14 Years**

(21) Appl. No.: **29/300,361**

(22) Filed: **Mar. 19, 2008**

(51) **LOC (9) Cl.** **10-04**

(52) **U.S. Cl.** **D10/69; D10/66**

(58) **Field of Classification Search** D10/66,
D10/69; 356/5.15, 4.01, 5.01, 4.05, 5.05-5.09,
356/5.12, 28.5, 139.3, 141.3, 345, 375, 3.01,
356/128-155, 399-400; 385/83, 978-99,
385/134-139; 701/211-213, 150, 158; 264/1.24-1.25;
33/276, 277, 281, 285, 286, 290, 291-299,
33/DIG. 21; 340/573.1-573.4, 539, 825.36,
340/825.46, 825.49, 357.02

See application file for complete search history.

(56) **References Cited**

U.S. PATENT DOCUMENTS

D470,424 S * 2/2003 Hand et al. D10/69
D561,621 S * 2/2008 Ishii et al. D10/69
7,392,592 B2 * 7/2008 Bublitz et al. 33/290

* cited by examiner

Primary Examiner—Antoine D Davis

(74) *Attorney, Agent, or Firm*—Jacobson Holman PLLC

(57) **CLAIM**

The ornamental design for a laser irradiator, as shown and described.

DESCRIPTION

The file of this patent contains at least one drawing executed in color. Copies of this patent with color drawings will be provided by the Office upon request and payment of the necessary fee.

FIG. 1 is an upper left front perspective view of a laser irradiator showing our new design.

FIG. 2 is a lower right rear perspective view of the laser irradiator of FIG. 1.

FIG. 3 is a front elevational view of the laser irradiator of FIG. 1.

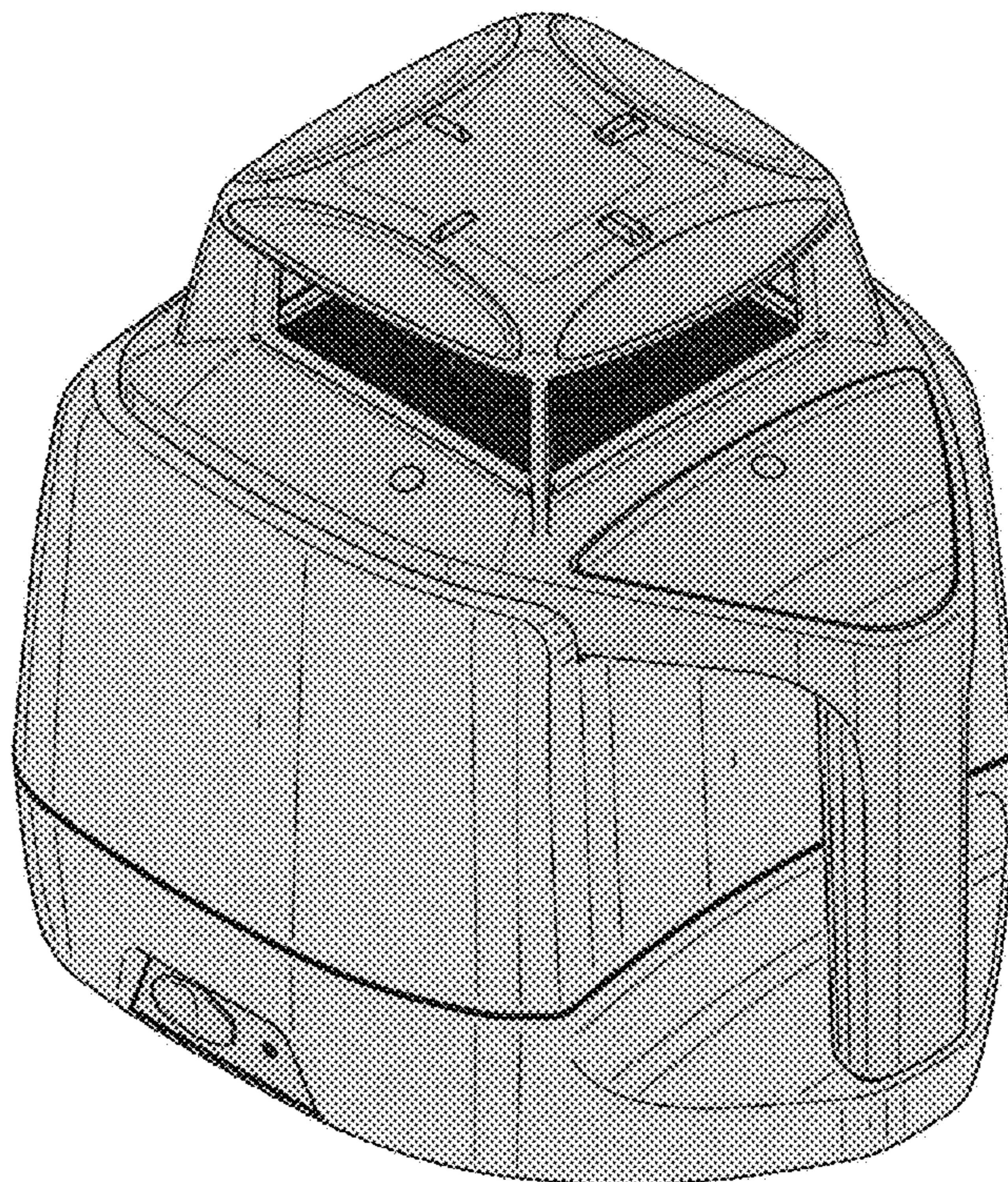
FIG. 4 is a rear elevational view of the laser irradiator of FIG. 1.

FIG. 5 is a left side elevational view of the laser irradiator of FIG. 1.

FIG. 6 is a right side elevational view of the laser irradiator of FIG. 1.

FIG. 7 is a top plan view of the laser irradiator of FIG. 1; and, FIG. 8 is a bottom plan view of the laser irradiator of FIG. 1.

1 Claim, 8 Drawing Sheets
(8 of 8 Drawing Sheet(s) Filed in Color)



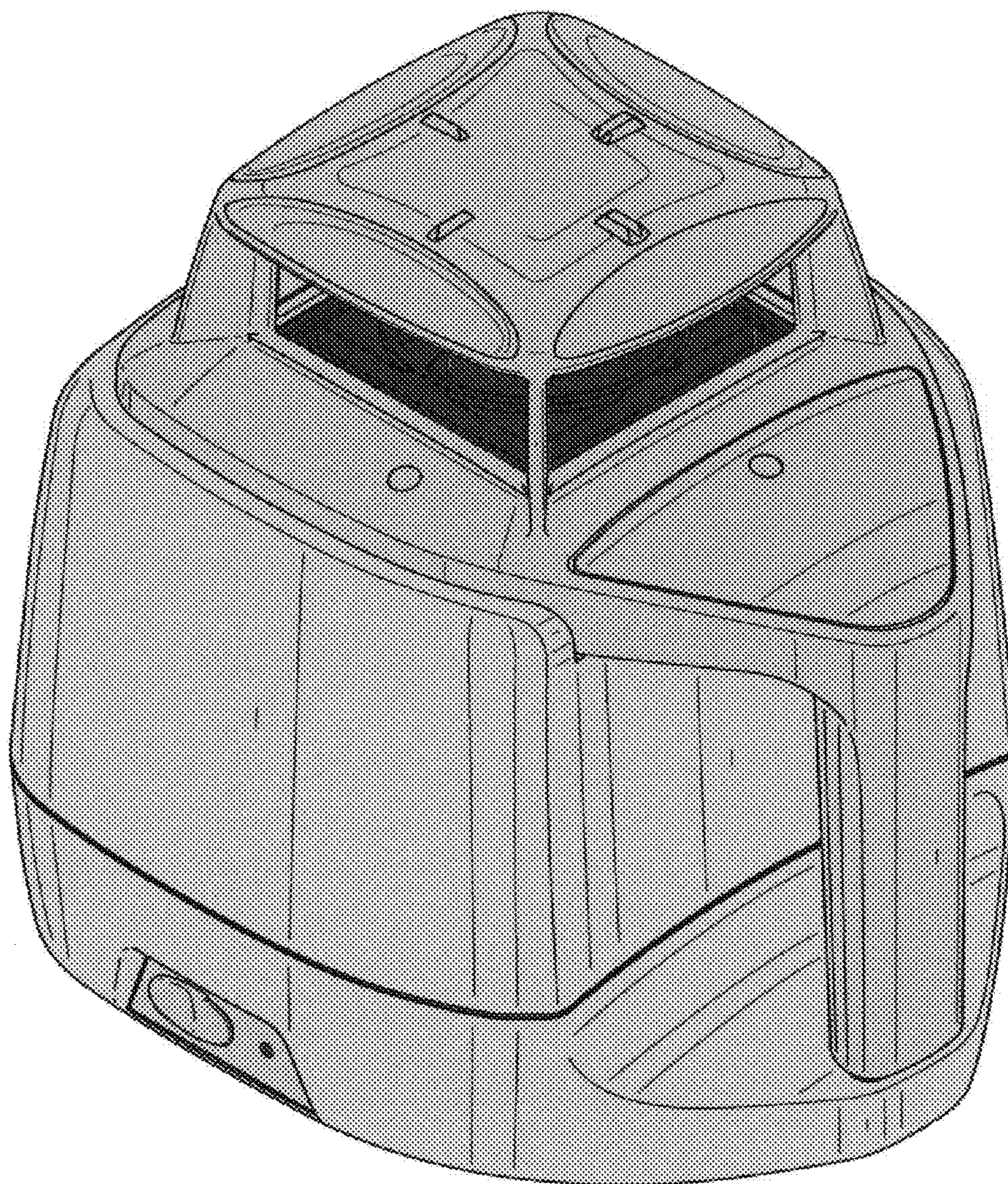


FIG. 1

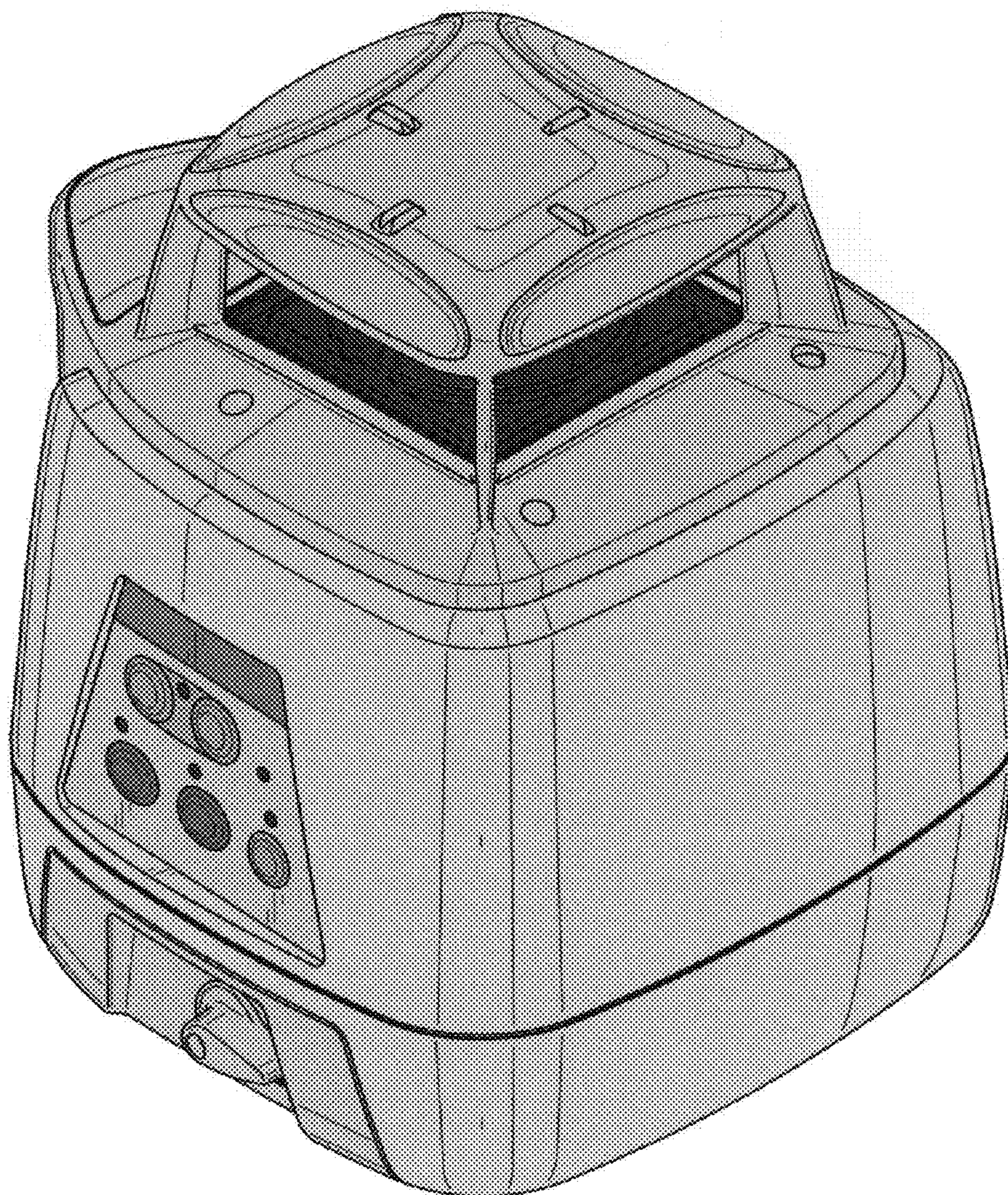


FIG. 2

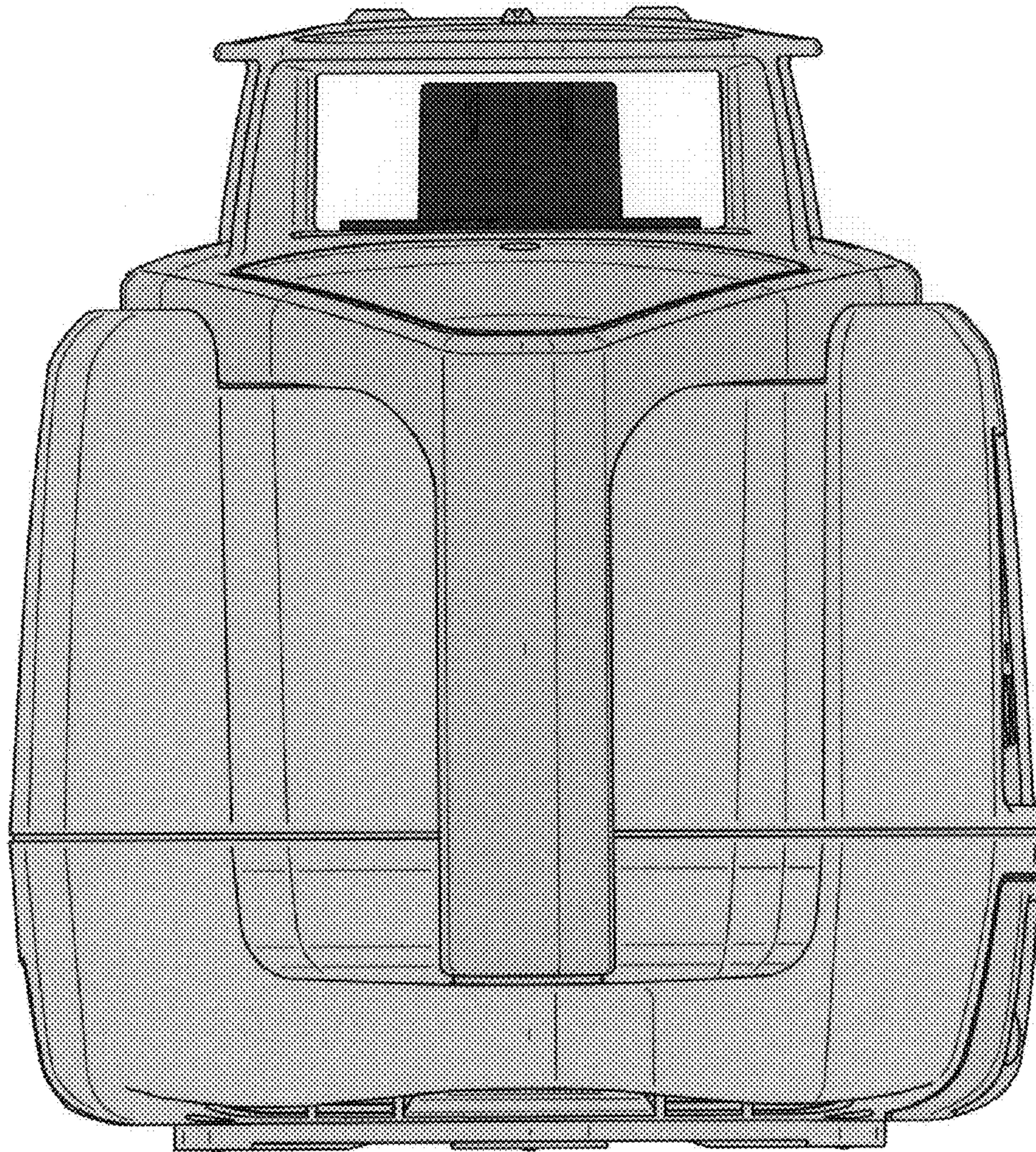


FIG. 3

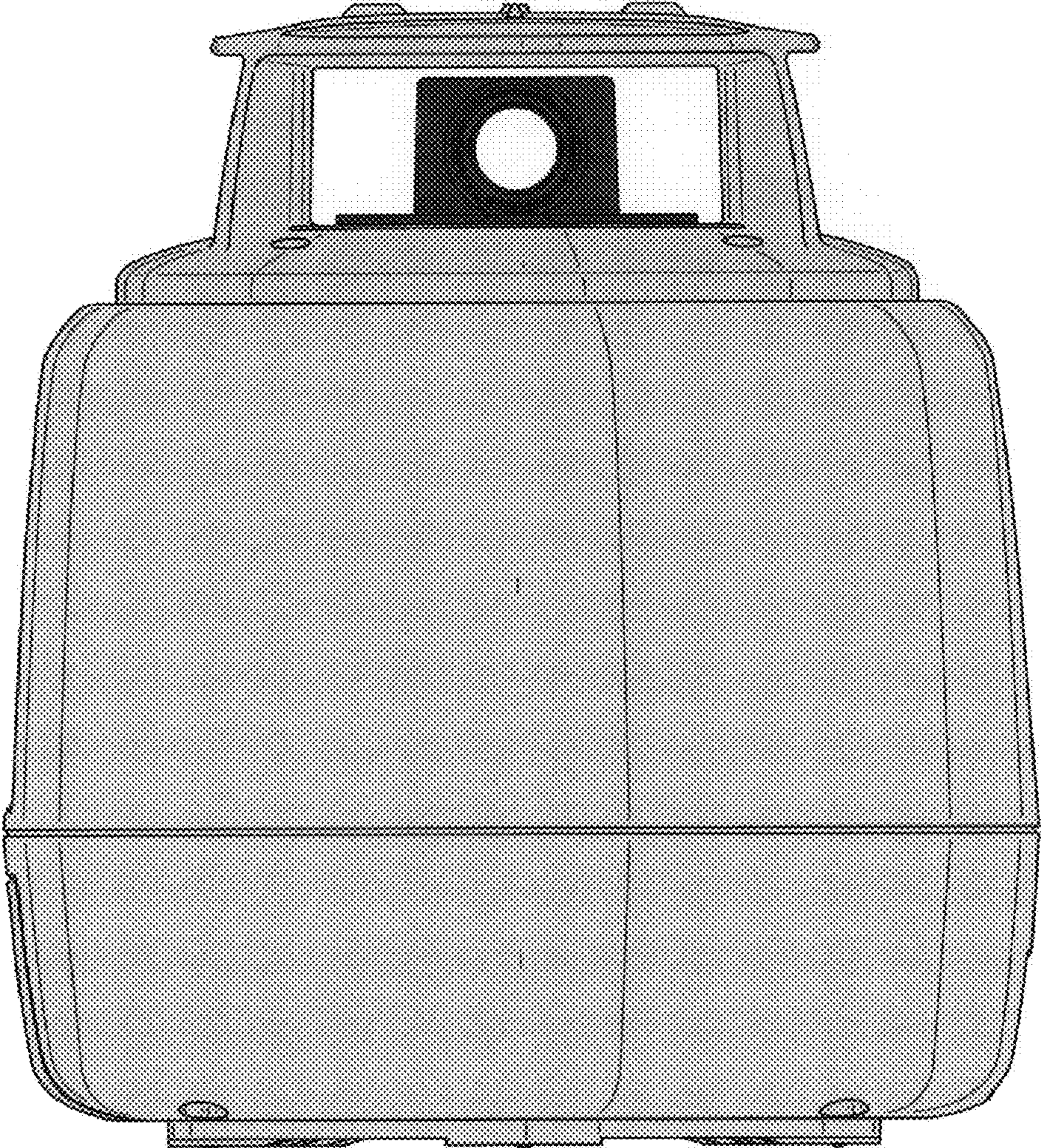


FIG. 4

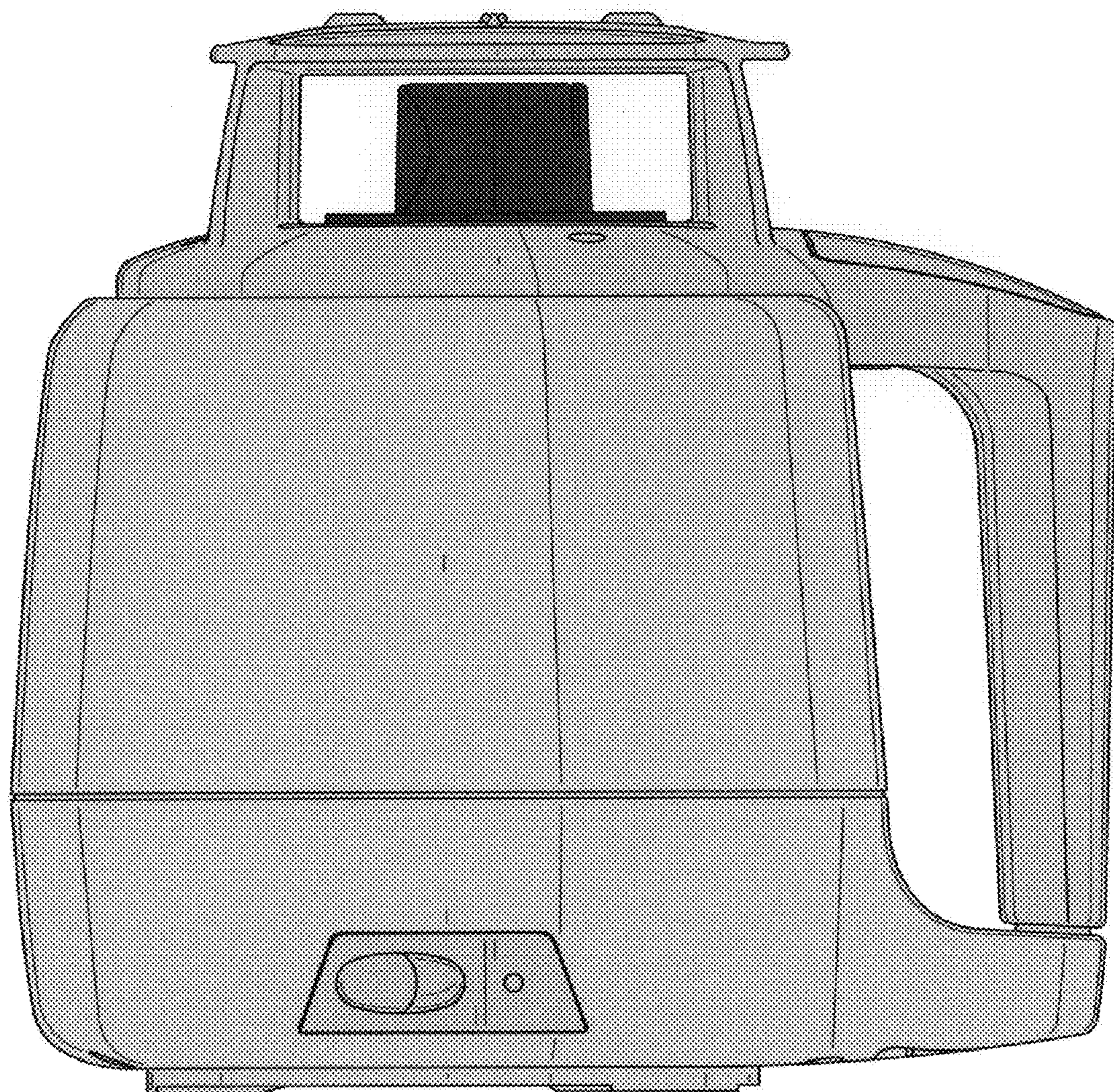


FIG. 5

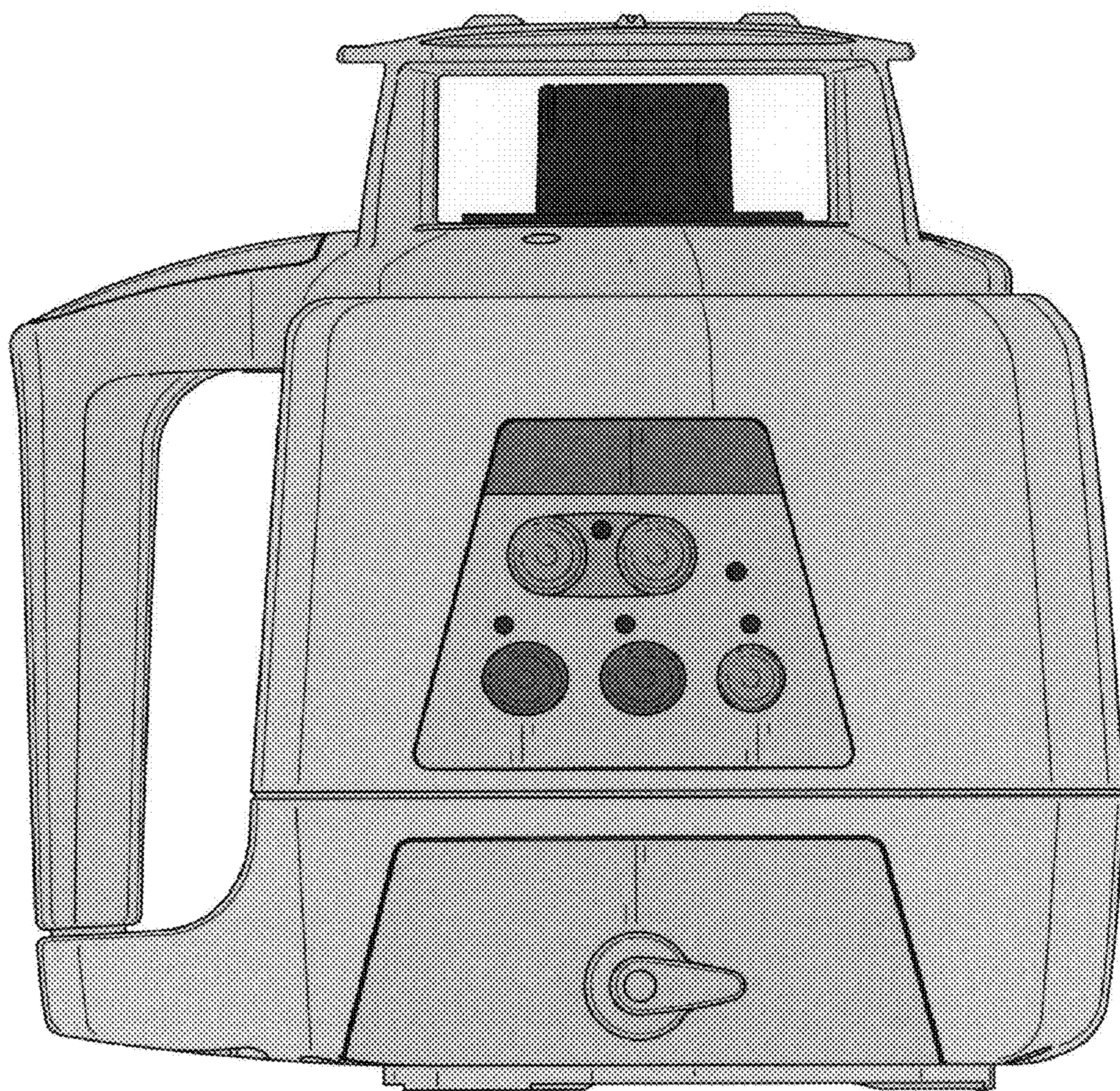


FIG. 6

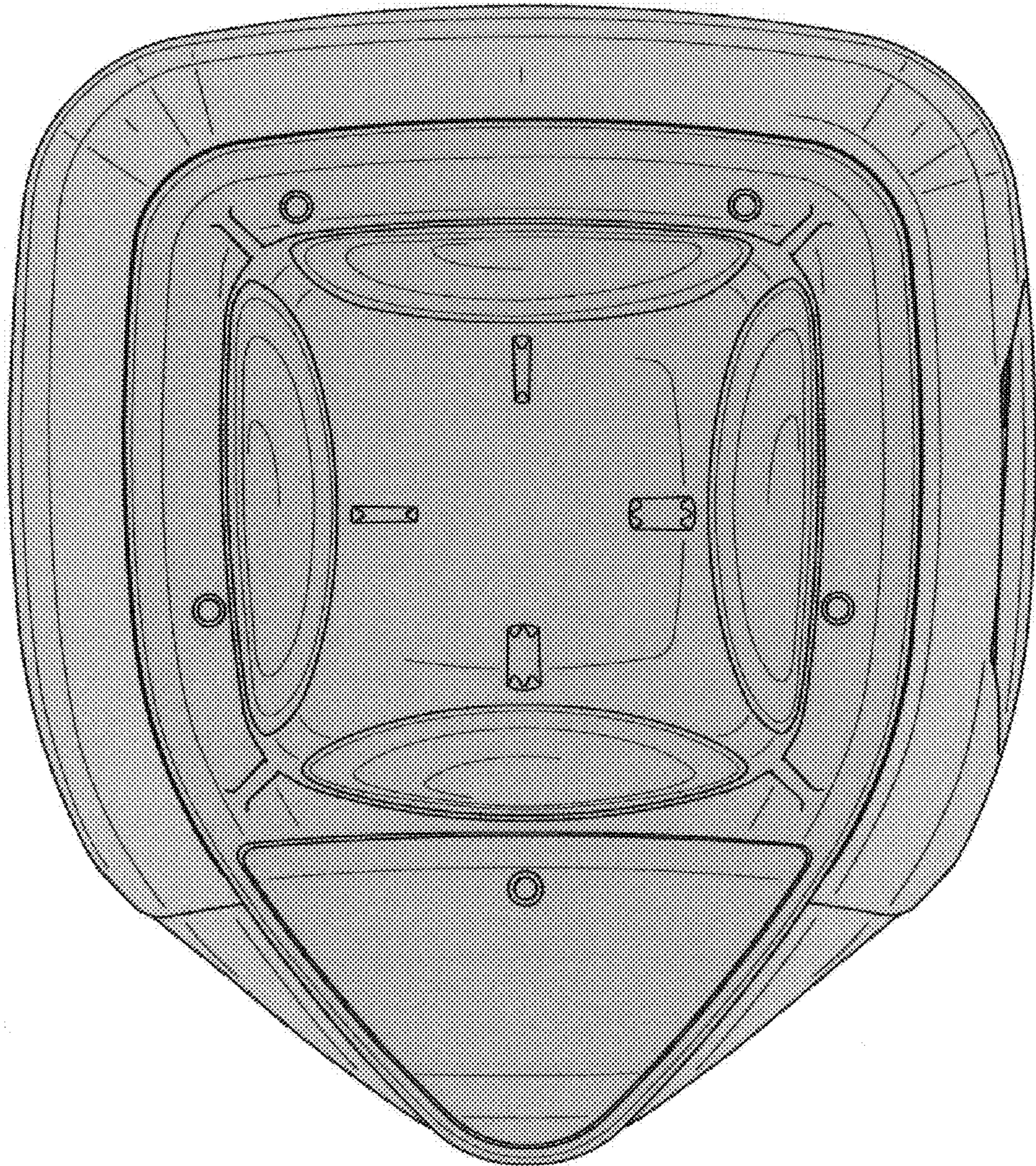


FIG. 7

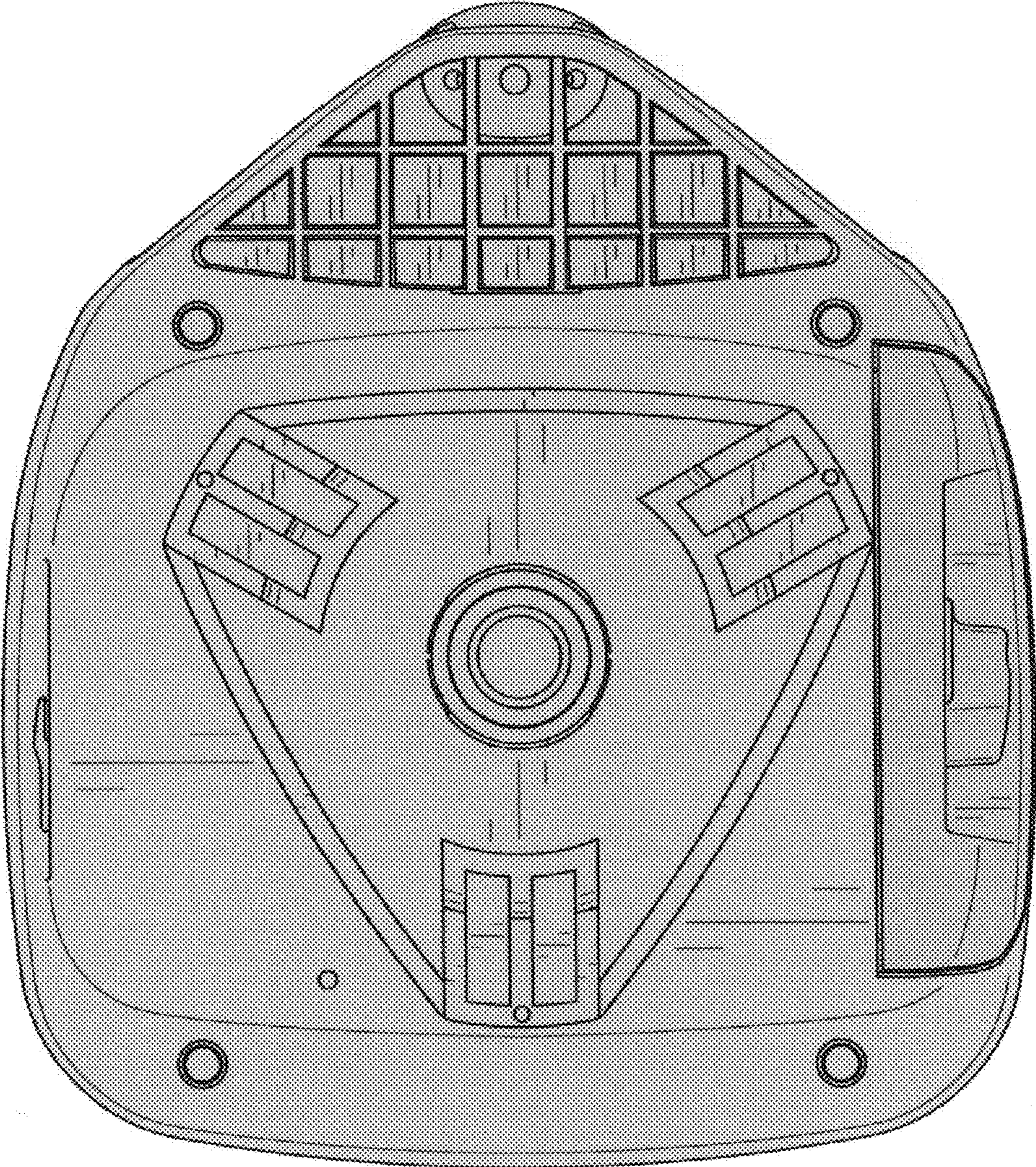


FIG. 8

UNITED STATES PATENT AND TRADEMARK OFFICE
CERTIFICATE OF CORRECTION

PATENT NO. : Des. 587,149 S
APPLICATION NO. : 29/300361
DATED : February 24, 2009
INVENTOR(S) : Mitsuo Ishii et al.

Page 1 of 1

It is certified that error appears in the above-identified patent and that said Letters Patent is hereby corrected as shown below:

Replace original Figure 6 with the following amended Figure 6, in which a small recessed trapezoidal area is added for consistency with Figure 2.

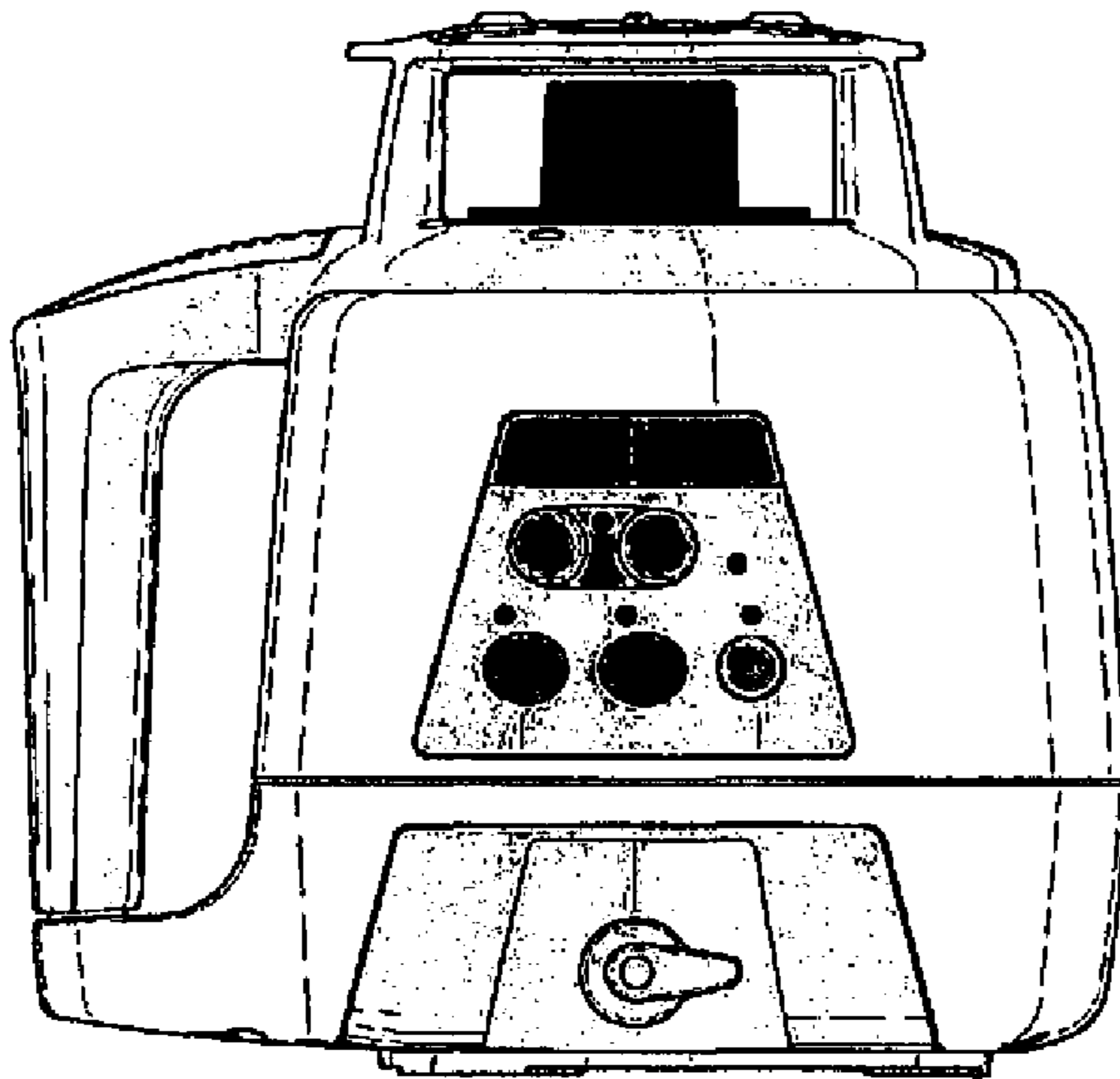


FIG. 6

Signed and Sealed this

Twenty-fourth Day of March, 2009

John Doll

JOHN DOLL
Acting Director of the United States Patent and Trademark Office