



US00D587143S

(12) **United States Design Patent**
Barnes

(10) **Patent No.:** **US D587,143 S**

(45) **Date of Patent:** **** Feb. 24, 2009**

(54) **MEASURING SPOON SYSTEM**

(76) **Inventor:** **Neal P. Barnes**, 204 Cherry Hill Trail,
Medina, MN (US) 55340

(**) **Term:** **14 Years**

(21) **Appl. No.:** **29/319,747**

(22) **Filed:** **Jun. 13, 2008**

(51) **LOC (9) Cl.** **10-04**

(52) **U.S. Cl.** **D10/46.3**

(58) **Field of Classification Search** D10/46.2,
D10/46.3; 30/324–328; 73/426–429; 294/55;
D7/691, 692

See application file for complete search history.

(56) **References Cited**

U.S. PATENT DOCUMENTS

315,768	A *	4/1885	Goodwin	73/426
1,203,414	A *	10/1916	Sabin	30/324
3,030,812	A *	4/1962	Lutz	73/426
D342,455	S *	12/1993	Lown et al.	D10/46.3
D548,116	S *	8/2007	Curtin	D10/46.3
D554,449	S *	11/2007	Stewart	D7/691

* cited by examiner

Primary Examiner—Terry A Wallace

(74) *Attorney, Agent, or Firm*—Pauly DeVries Smith & Deffner, LLC.

(57) **CLAIM**

The ornamental design for the measuring spoon system, as shown and described.

DESCRIPTION

FIG. 1 is a perspective view of a measuring spoon system in a closed position.

FIG. 2 is a side view thereof.

FIG. 3 is another side view thereof.

FIG. 4 is a front view thereof.

FIG. 5 is a rear view thereof.

FIG. 6 is a top plan view thereof.

FIG. 7 is a bottom plan view thereof.

FIG. 8 is a perspective view of FIG. 1 shown in an open position.

FIG. 9 is a side view of FIG. 8.

FIG. 10 is another side view of FIG. 8.

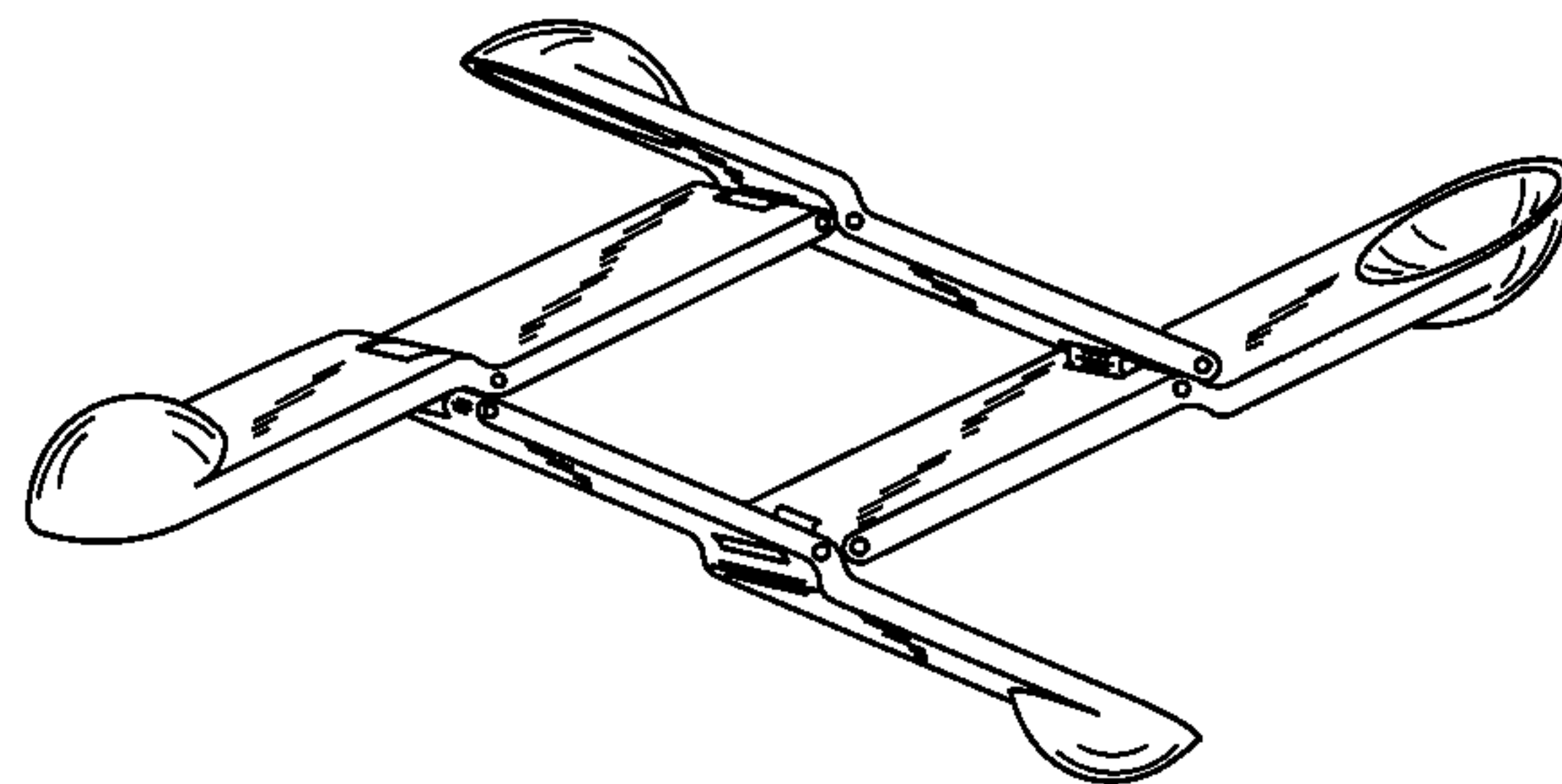
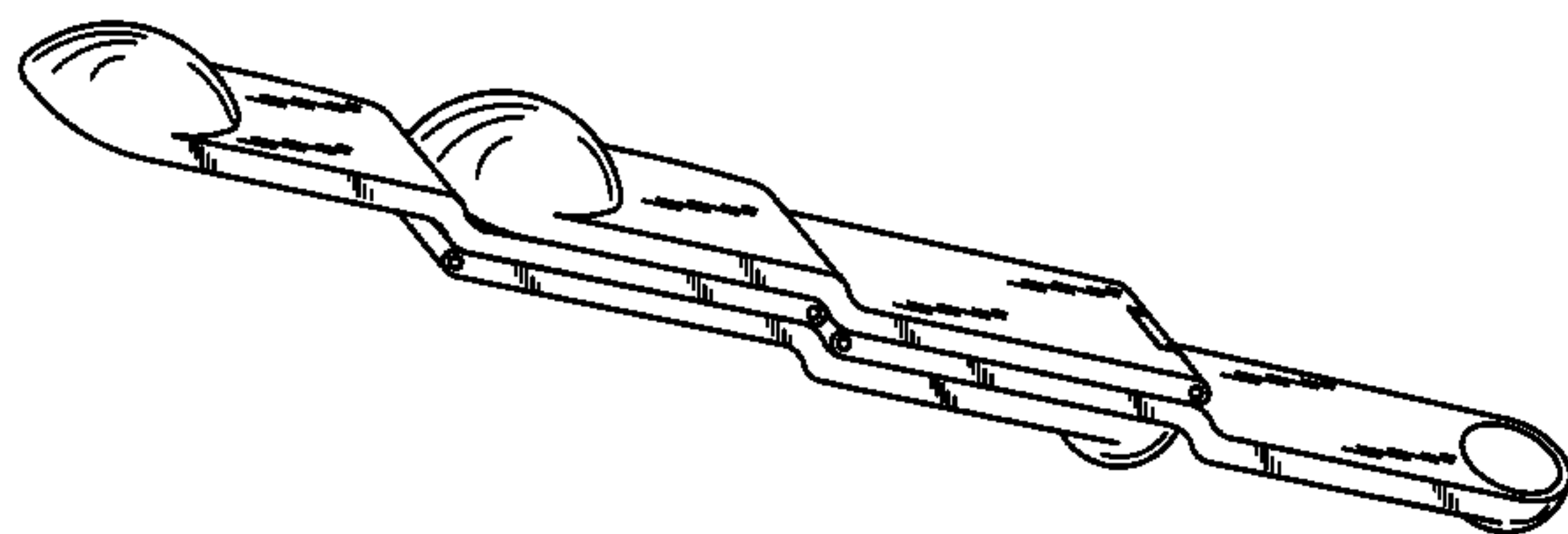
FIG. 11 is a front view of FIG. 8.

FIG. 12 is a rear view of FIG. 8.

FIG. 13 is a top plan view of FIG. 8; and,

FIG. 14 is a bottom plan view of FIG. 8.

1 Claim, 8 Drawing Sheets



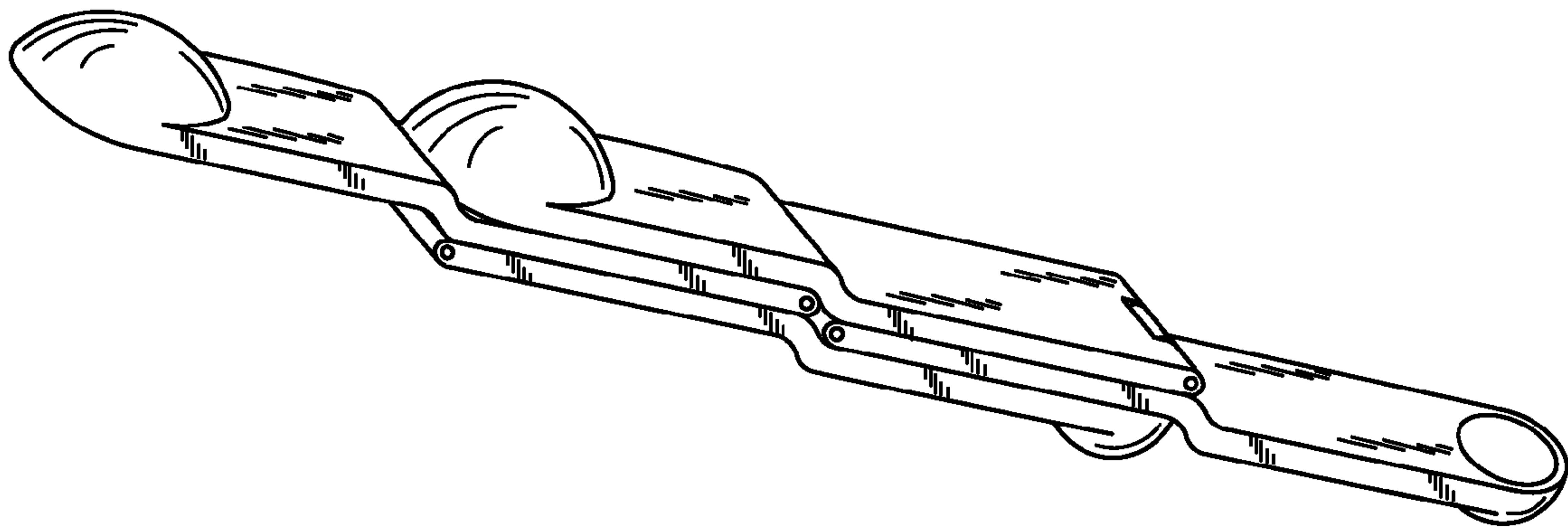


FIG. 1

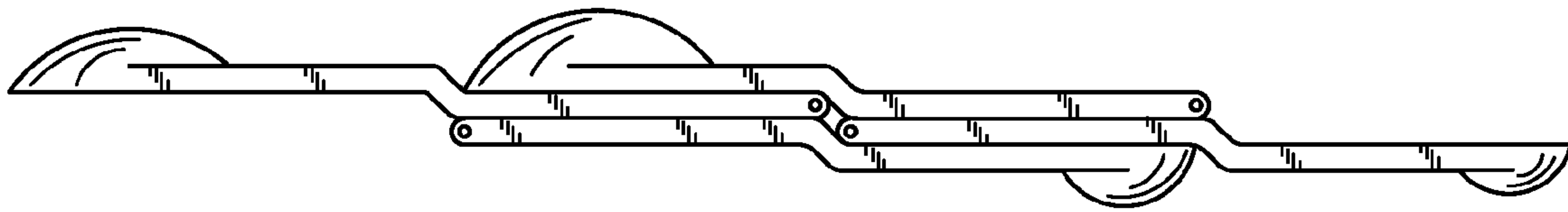


FIG. 2

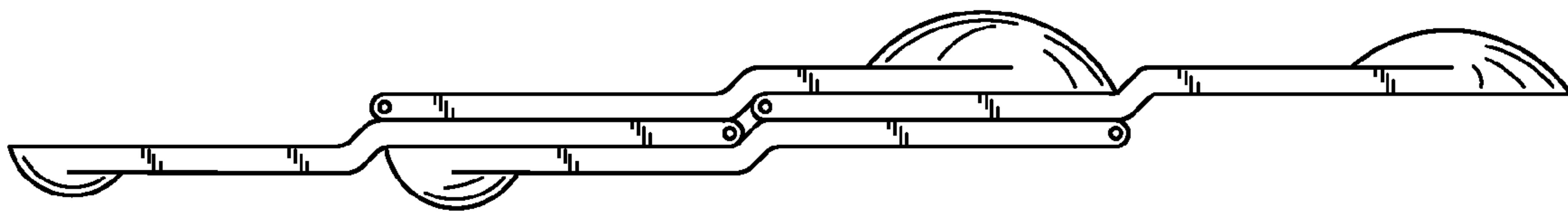


FIG. 3



FIG. 4

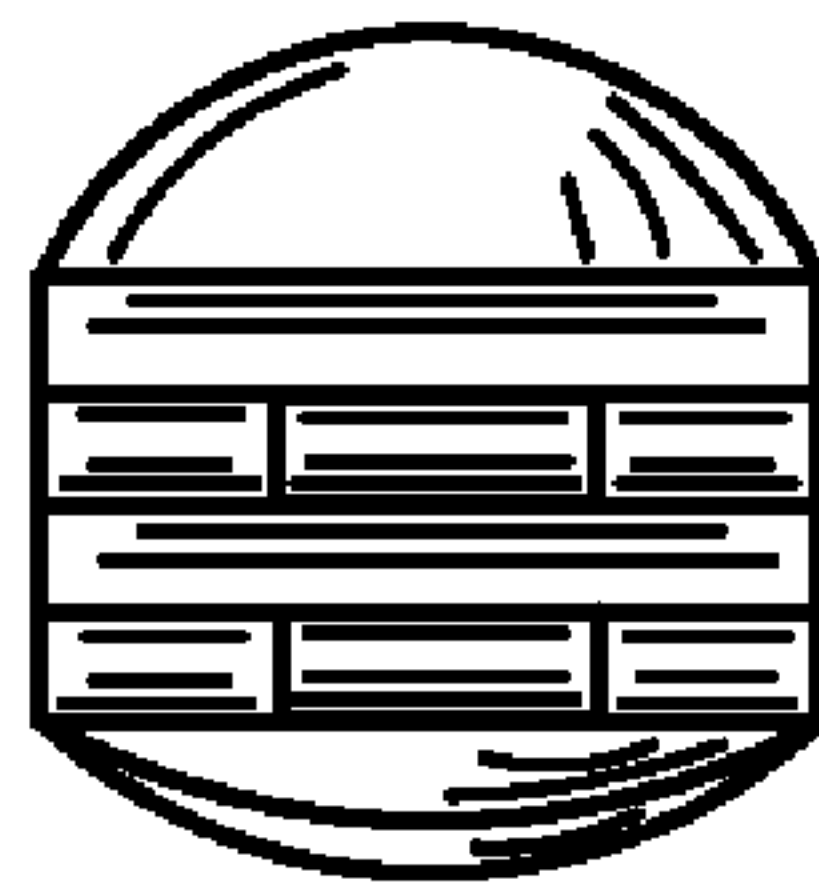


FIG. 5

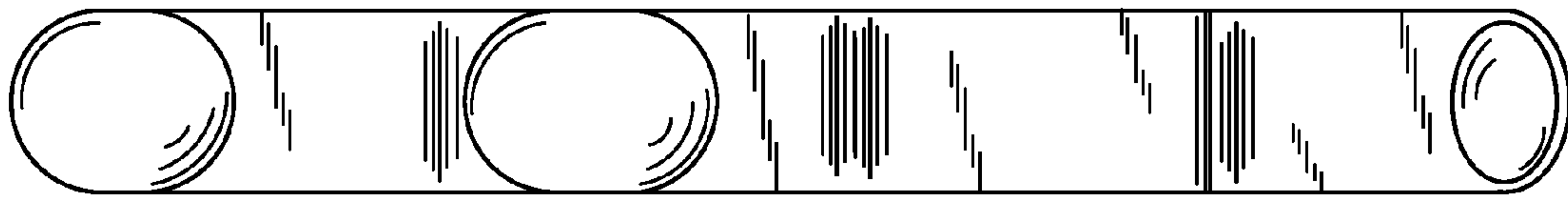


FIG. 6

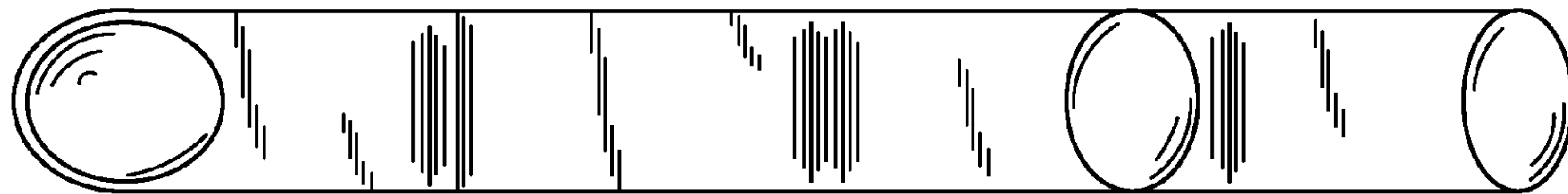


FIG. 7

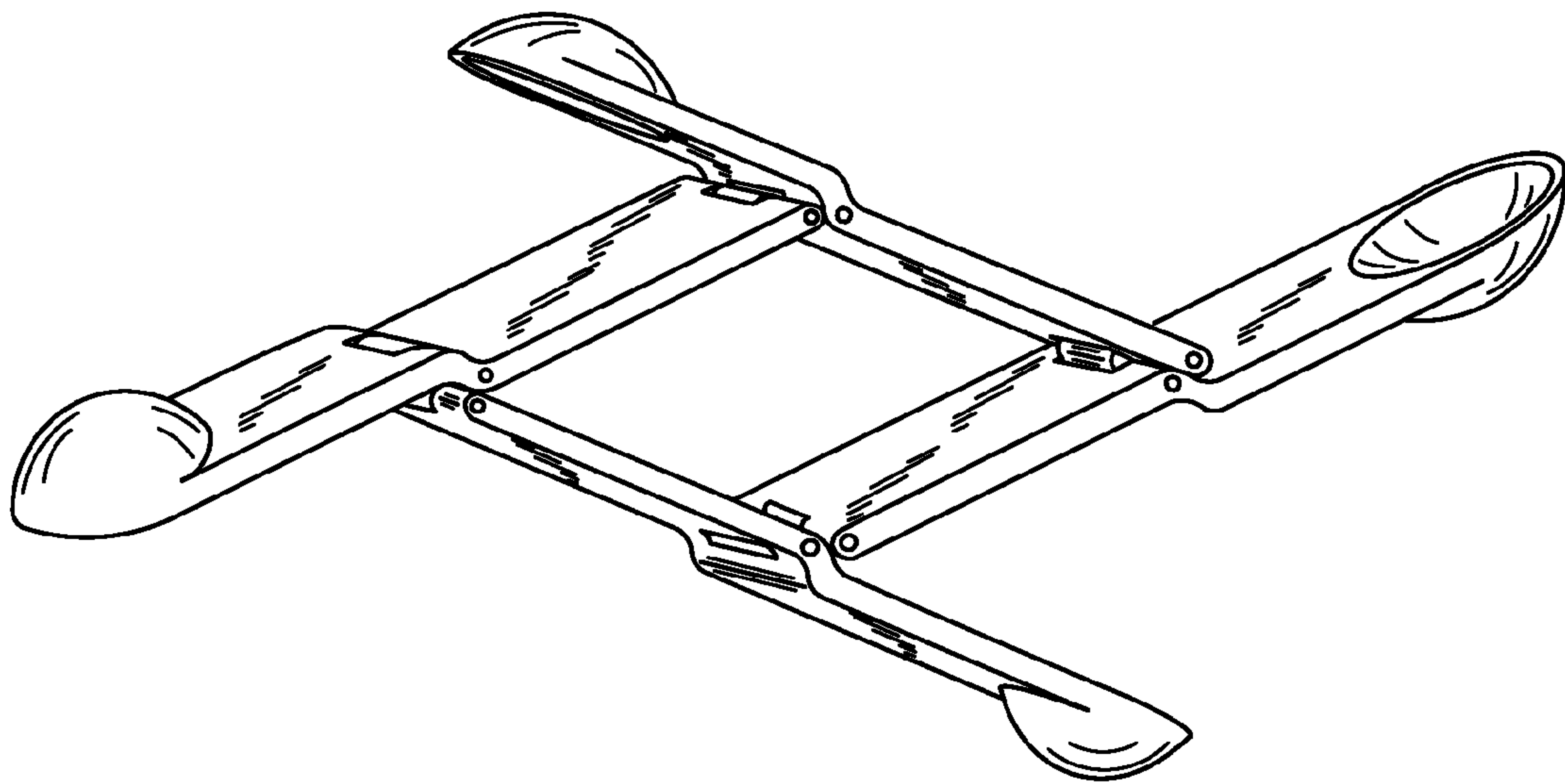


FIG. 8

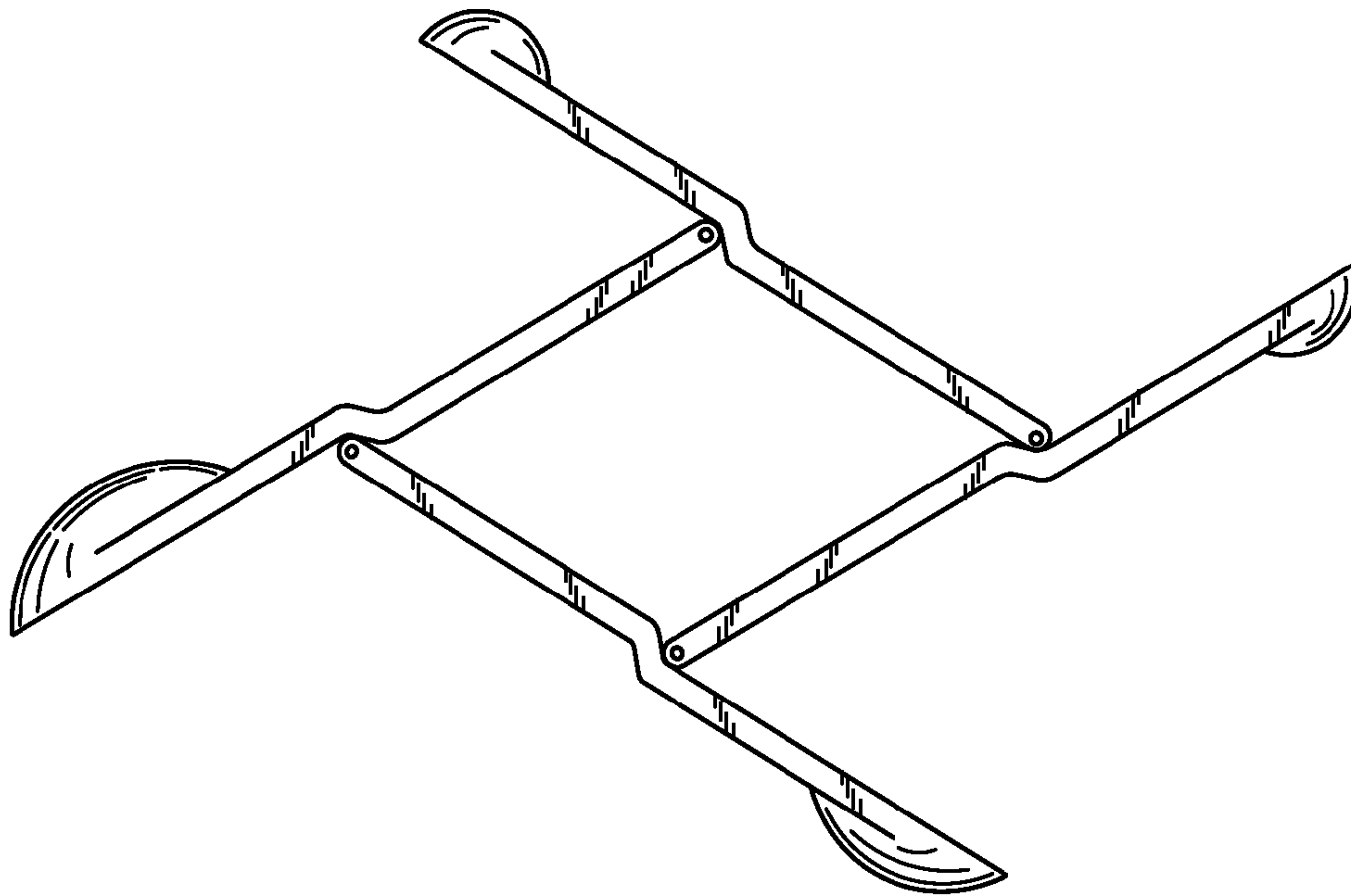


FIG. 9

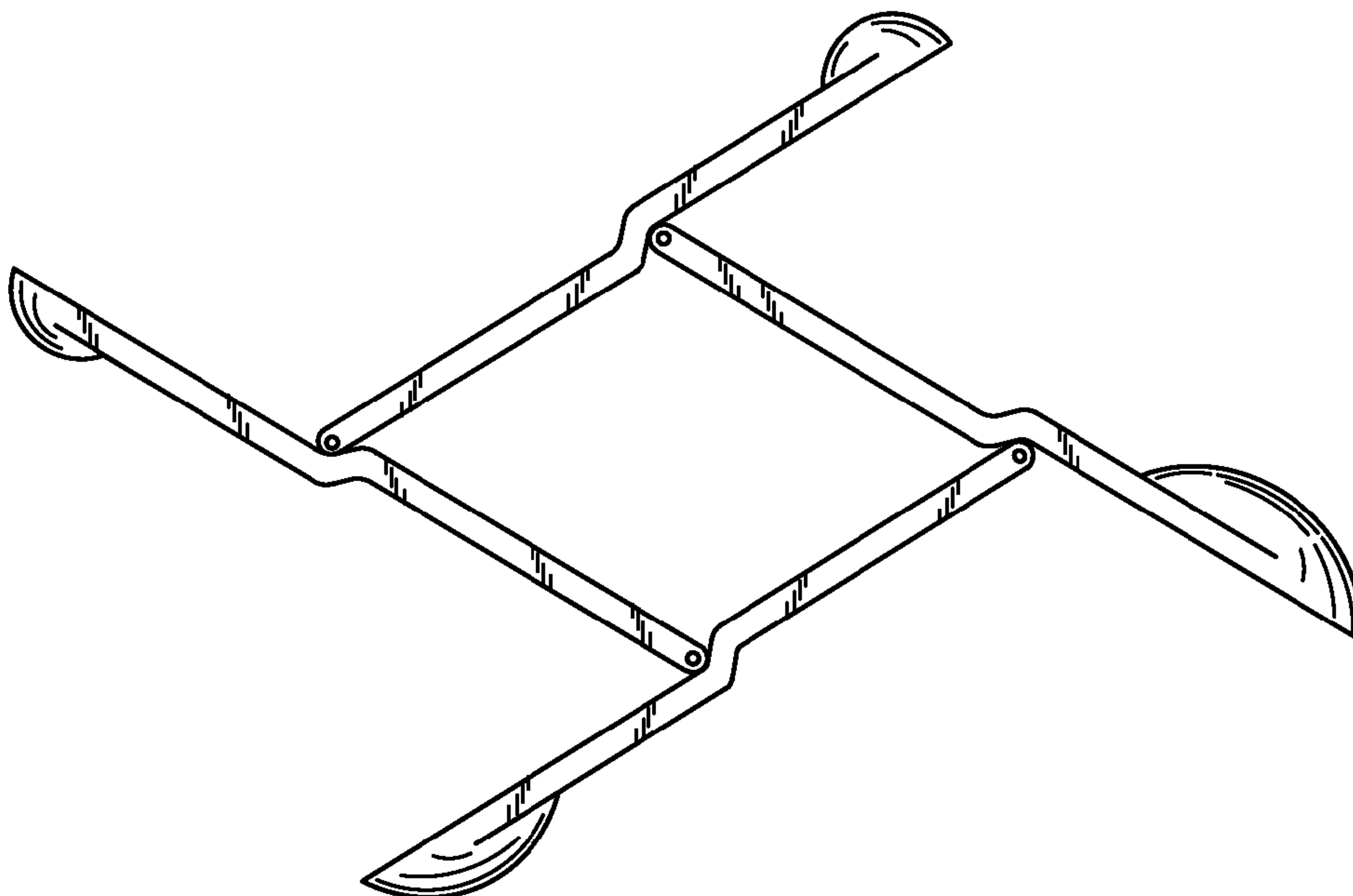


FIG. 10

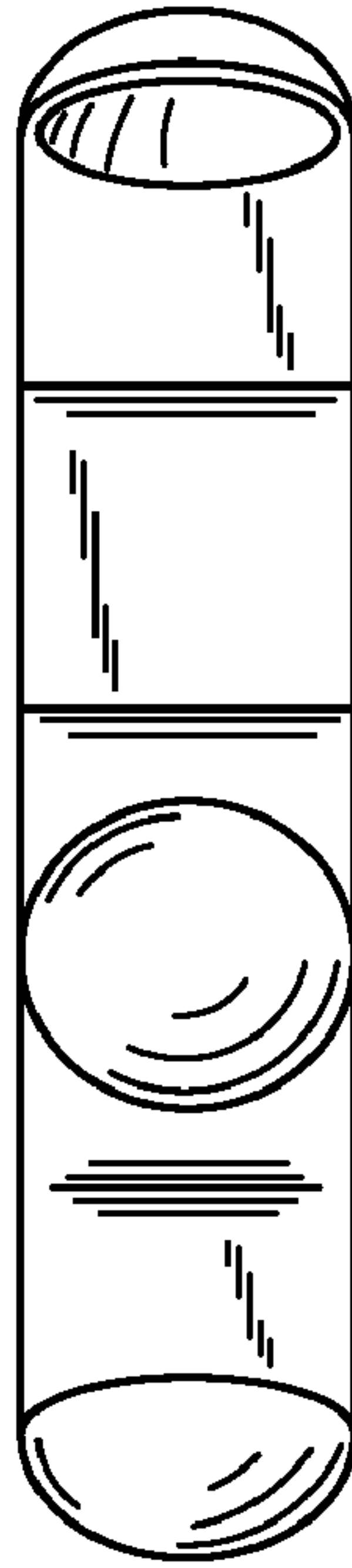


FIG. 11

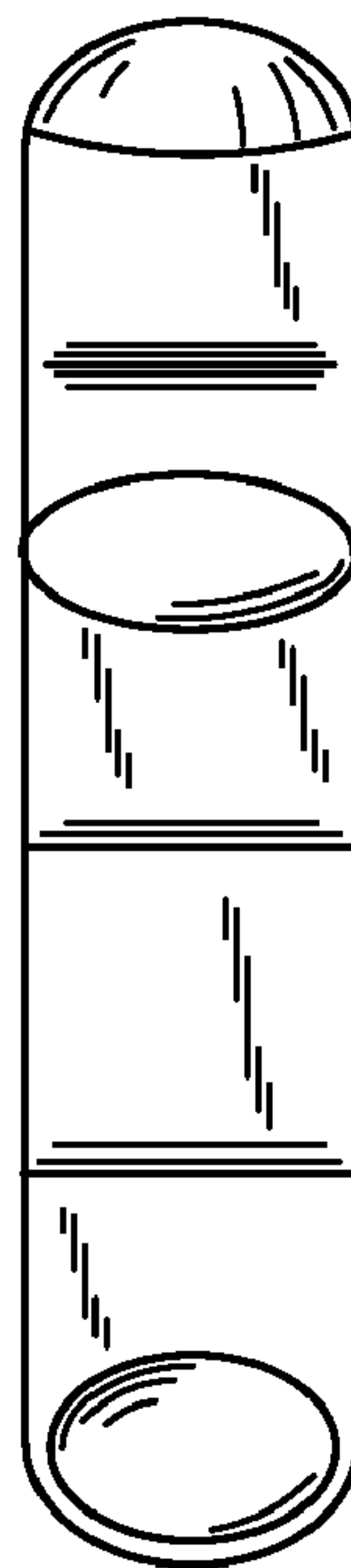


FIG. 12

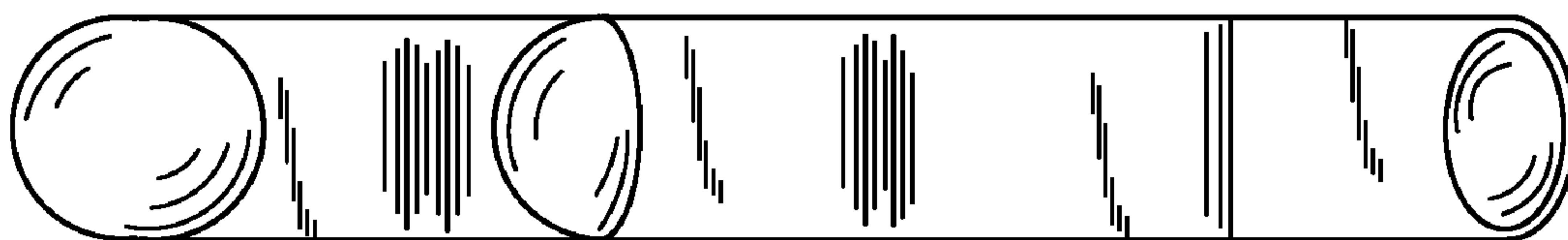


FIG. 13

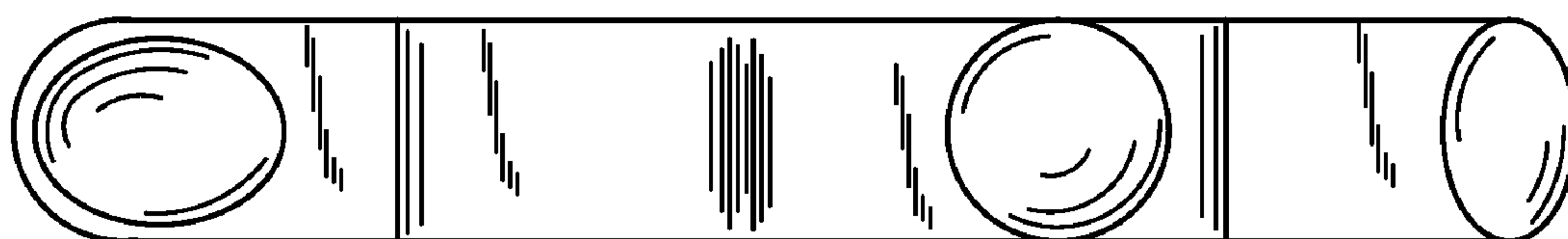


FIG. 14