



US00D587136S

(12) **United States Design Patent**
Friebe et al.

(10) **Patent No.:** **US D587,136 S**
(45) **Date of Patent:** **** Feb. 24, 2009**

(54) **FOIL PACKAGE**

(75) Inventors: **Joachim Friebe**, Heimertingen (DE);
Andreas Michalsky, Memmingen (DE);
Maurice Habram, Kempten (DE);
Agata Surdziel, Kempten (DE); **Peter Ganz**, Untrasried (DE)

(73) Assignee: **Huhtamaki Ronsberg**,
Zweigniederlassung der Huhtamaki
Deutschland GmbH & Co. KG (DE)

(**) Term: **14 Years**

(21) Appl. No.: **29/299,492**

(22) Filed: **Dec. 27, 2007**

Related U.S. Application Data

(62) Division of application No. 29/231,547, filed on Jun. 7, 2005.

Foreign Application Priority Data

Apr. 19, 2005 (EP) 000330485

(51) **LOC (9) Cl.** **09-03**

(52) **U.S. Cl.** **D9/772**

(58) **Field of Classification Search** D9/702-703,
D9/503, 414, 500, 516, 505, 428, 529, 519,
D9/564, 454, 549-550, 504, 548, 686-693,
D9/434-436, 772; 206/484; 222/92; 220/495.03,
220/260, 890; 426/106; 428/35.2; D28/76,
D28/88-89, 91, 73, 78, 82; 215/316, 317,
215/400; 132/293

See application file for complete search history.

(56) **References Cited**

U.S. PATENT DOCUMENTS

2,370,226 A 2/1945 Brede et al.
2,626,647 A 1/1953 Barton
3,604,491 A 9/1971 Spiess

(Continued)

FOREIGN PATENT DOCUMENTS

AT 293944 10/1971

(Continued)

Primary Examiner—Caron Veynar

Assistant Examiner—Abraham Bahta

(74) *Attorney, Agent, or Firm*—Knobbe Martens Olson & Bear LLP

(57) **CLAIM**

The ornamental design for a foil package, as shown and described.

DESCRIPTION

FIG. 1 is a front side perspective view of a foil package showing our new design;

FIG. 2 is a left side perspective view thereof;

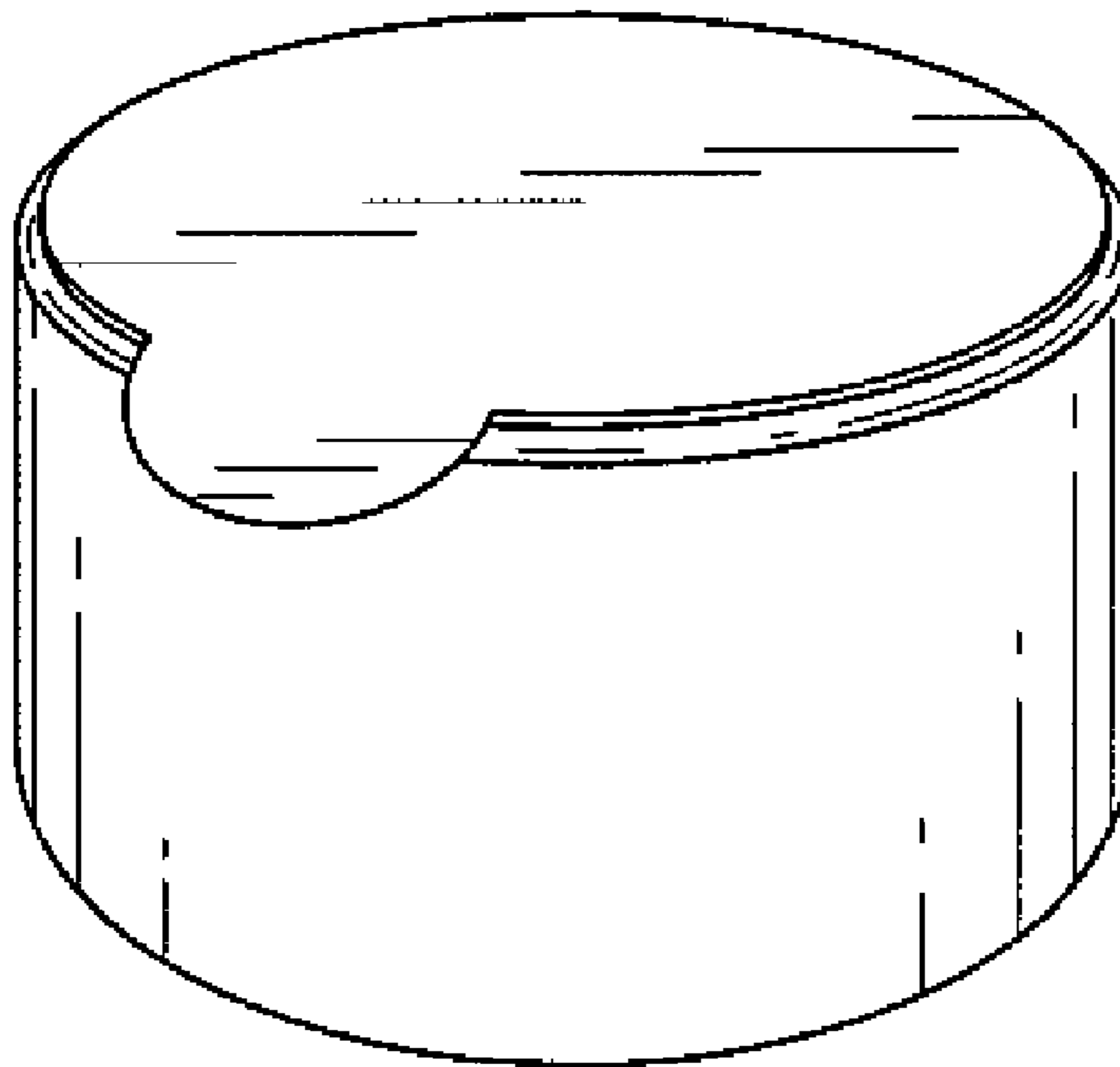
FIG. 3 is a bottom view thereof;

FIG. 4 is a front view thereof;

FIG. 5 is a perspective view thereof; and,

FIG. 6 is a top view thereof.

1 Claim, 2 Drawing Sheets



US D587,136 S

Page 2

U.S. PATENT DOCUMENTS

D231,968 S *	7/1974	Juhlin	D7/538
D246,029 S *	10/1977	Lynn et al.	D9/780
D248,373 S	7/1978	Allen	
D274,848 S *	7/1984	Chevassus	D28/76
4,541,546 A	9/1985	Imazu et al.	
D280,975 S *	10/1985	Van Dine	D9/504
4,997,661 A	3/1991	Kromer et al.	
D316,671 S *	5/1991	Rohmeder	D9/715
D322,753 S	12/1991	Sussman	
5,205,651 A	4/1993	Decottignies et al.	
D340,836 S	11/1993	Cautereels	
5,263,606 A	11/1993	Dutt et al.	
D363,642 S	10/1995	Goto et al.	
D379,714 S	6/1997	Cerny et al.	
5,823,383 A	10/1998	Hins	
5,878,873 A	3/1999	Clark	
5,913,449 A	6/1999	Branch et al.	
5,939,153 A	8/1999	Valyi	
6,050,451 A	4/2000	Hess, III et al.	
D427,427 S	7/2000	Davis	
6,123,211 A	9/2000	Rashid et al.	
D445,337 S	7/2001	Croft et al.	
D446,456 S *	8/2001	Adachi et al.	D9/529
6,270,867 B1	8/2001	Eckstein et al.	
6,334,710 B1	1/2002	Kuge et al.	
6,399,014 B1	6/2002	Hermodsson	
D464,888 S	10/2002	Slater et al.	
6,472,007 B2	10/2002	Bezek et al.	
D466,814 S	12/2002	Hurlburt	
D467,131 S	12/2002	Wright et al.	
D467,811 S	12/2002	Slater et al.	
D471,064 S	3/2003	Renz	
D472,806 S	4/2003	Bezek et al.	
D477,225 S *	7/2003	Pinnavaia	D9/454
D477,536 S *	7/2003	Kudo et al.	D9/522
D480,307 S *	10/2003	Canamasas Puigbo	D9/504
D484,644 S *	12/2003	Noh	D28/76
6,783,277 B2	8/2004	Edwards et al.	
D495,607 S	9/2004	Bezek	

D526,190 S	8/2006	Bolt et al.	
D530,208 S *	10/2006	Danne et al.	D9/504
D530,572 S	10/2006	Daams	
D536,254 S	2/2007	Ashiwa	
D546,188 S	7/2007	Penfold et al.	
D546,694 S	7/2007	Penfold et al.	
D554,508 S	11/2007	YunFu	
D555,490 S	11/2007	Liu	
D671,497	6/2008	Sanfilippo et al.	
2001/0042757 A1	11/2001	Kuge et al.	
2002/0162863 A1	11/2002	Brincat	
2002/0182351 A1	12/2002	Akiyama et al.	
2003/0059130 A1	3/2003	Yoneyama et al.	
2005/0262813 A1	12/2005	Michalsky	
2005/0265636 A1	12/2005	Michalsky	

FOREIGN PATENT DOCUMENTS

DE	1723470	5/1956
DE	1757066	11/1957
DE	3208625	10/1982
DE	9107722	8/1991
DE	4429148	2/1996
DE	29920874	2/2000
DE	20214197 U1	11/2002
DE	20212251	1/2003
EP	595587	5/1994
EP	0772522	5/1997
EP	833774	4/1998
EP	1362797	11/2003
FI	109193	2/2000
JP	2000006999	1/2000
JP	2001080650	3/2001
JP	2002104446	4/2002
WO	WO 96/03281	2/1996
WO	WO 99/64227	12/1999
WO	WO 00/00396	1/2000
WO	WO 00/49908	8/2000
WO	WO 00/50314	8/2000

* cited by examiner

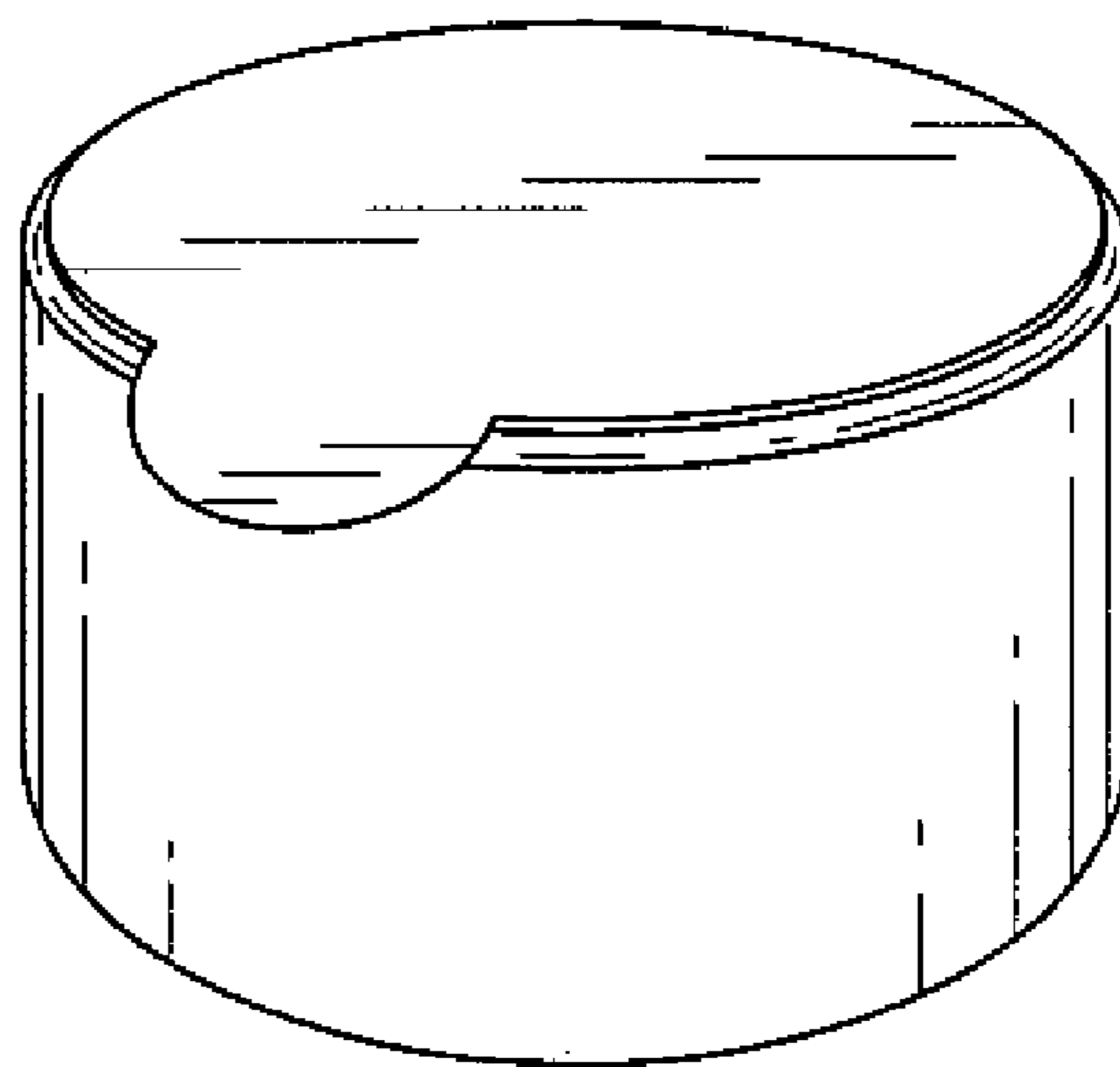


FIG. 1

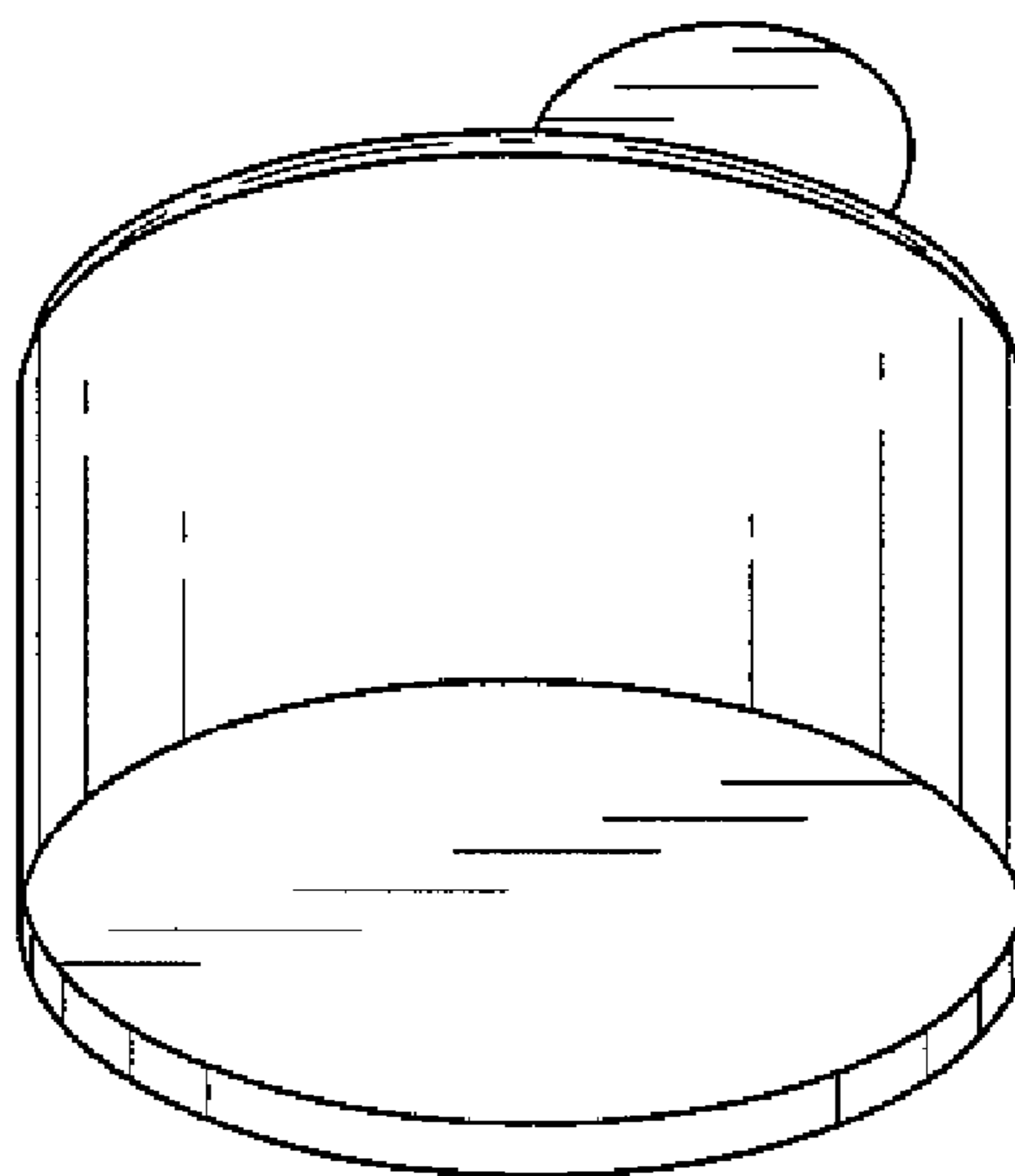


FIG. 2

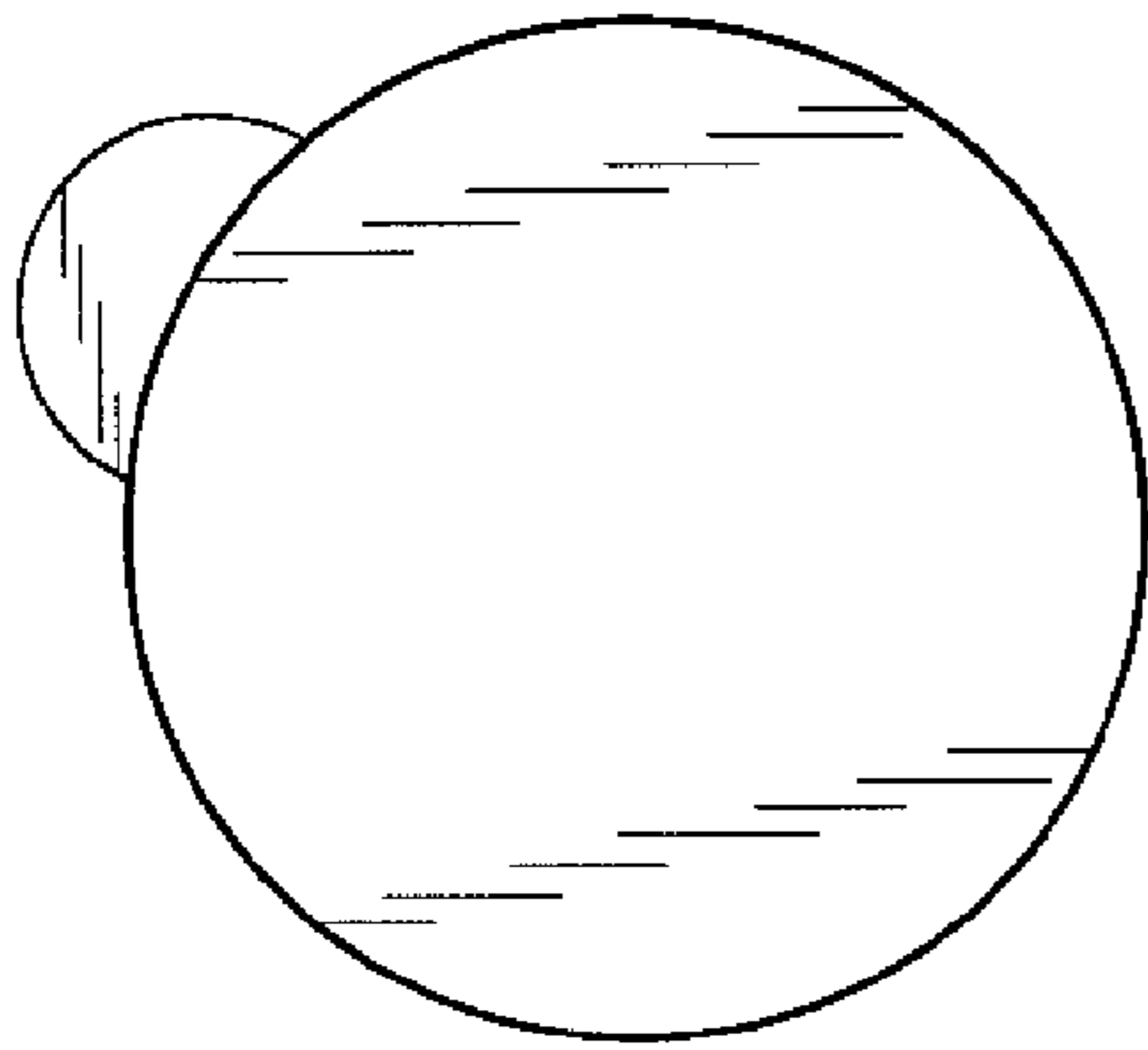


FIG. 3

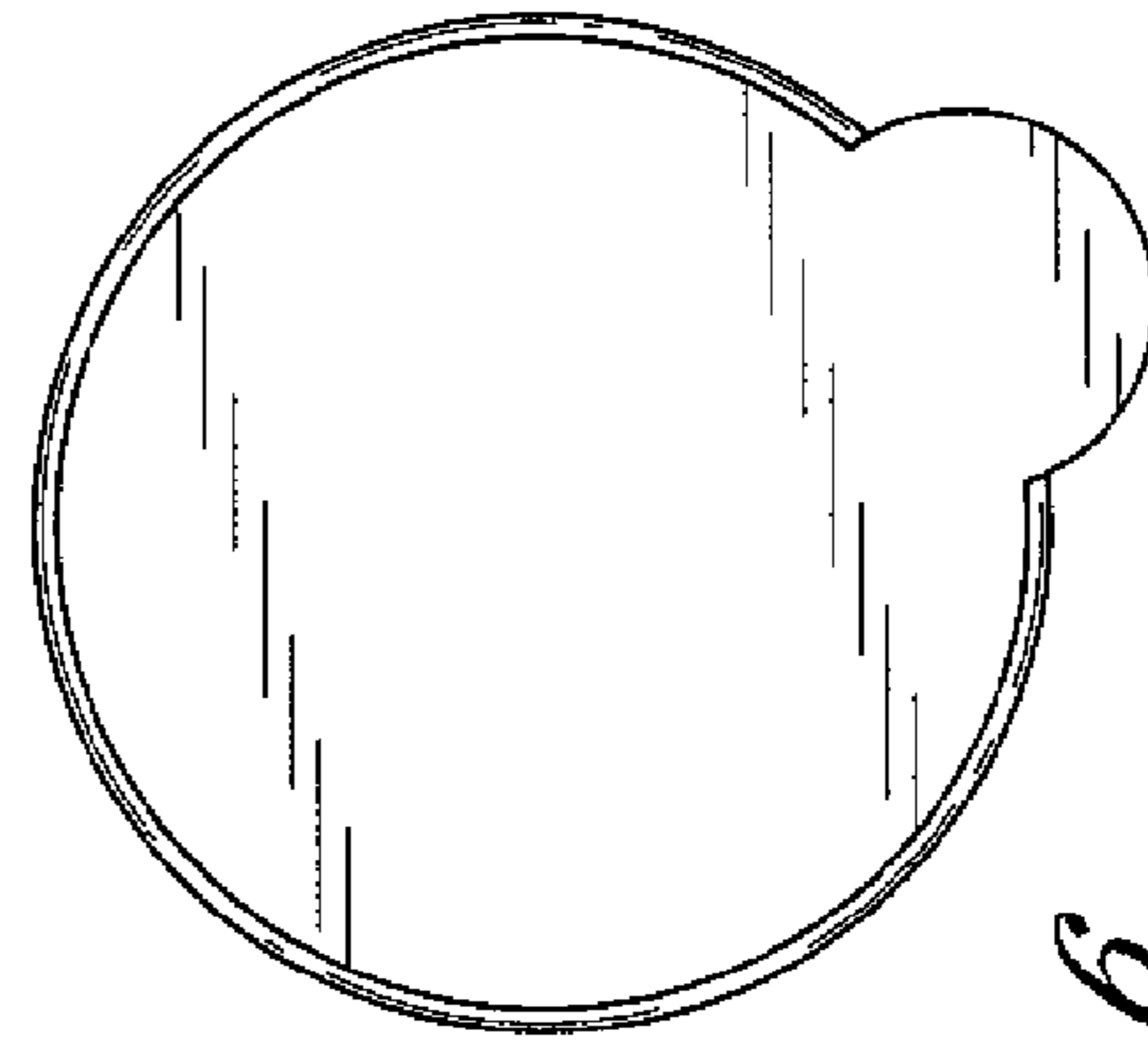


FIG. 6

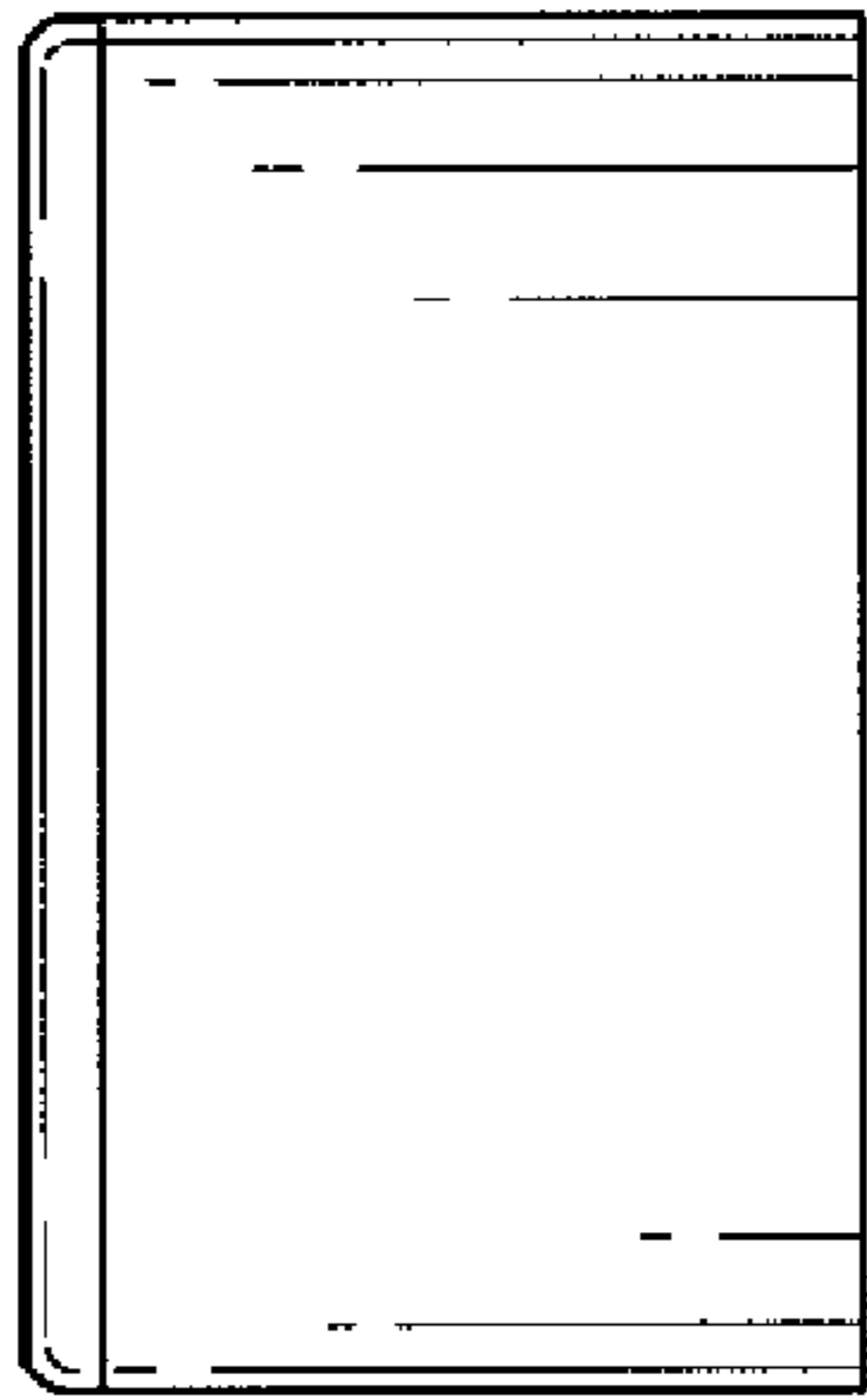


FIG. 4

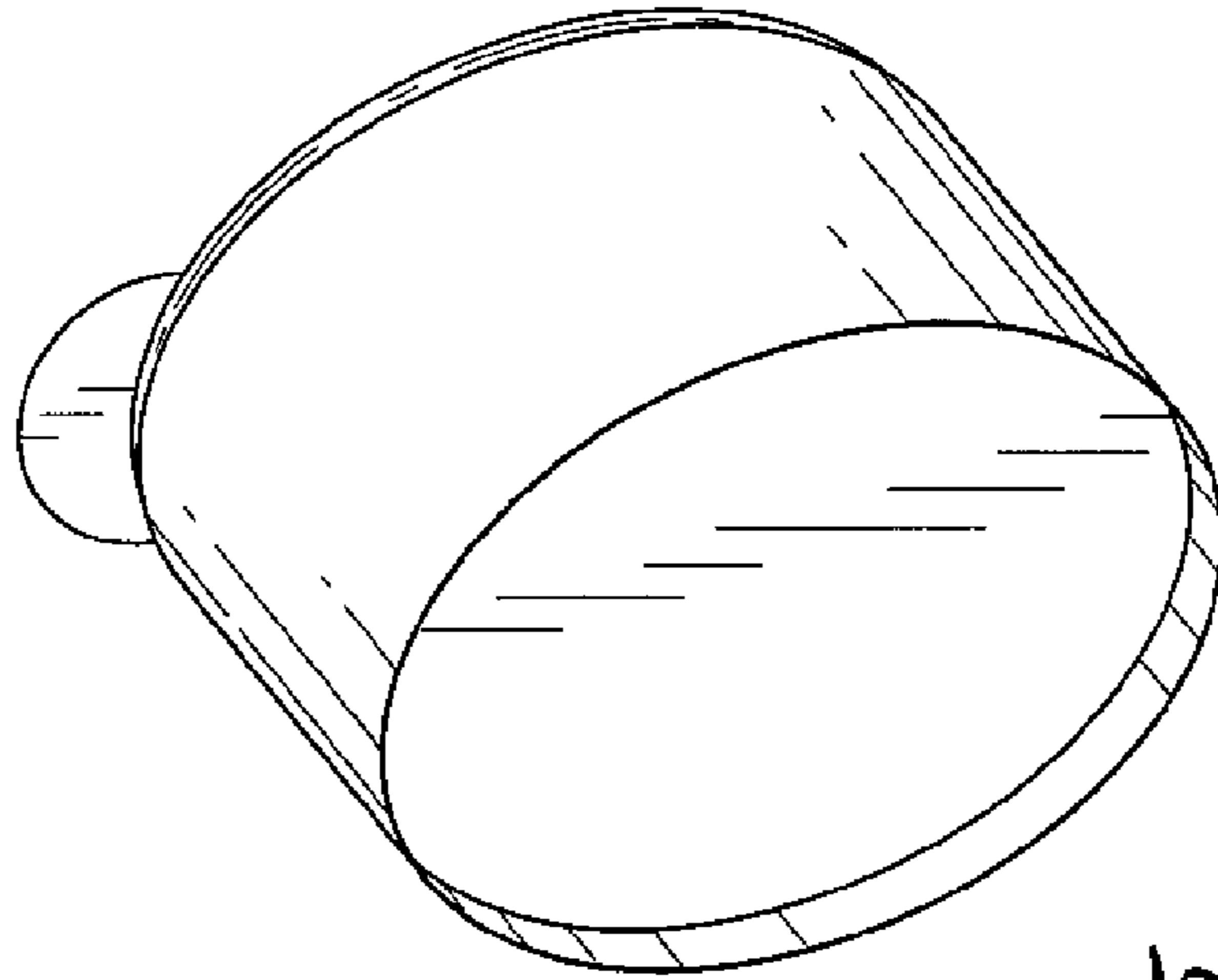


FIG. 5