



US00D587135S

(12) **United States Design Patent**  
**Durbin**

(10) **Patent No.:** **US D587,135 S**

(45) **Date of Patent:** **\*\* Feb. 24, 2009**

(54) **BOTTLE**

(76) **Inventor:** **Jason Durbin**, 120 S. Leavitt St., #1,  
Chicago, IL (US) 60612

(\*\*) **Term:** **14 Years**

(21) **Appl. No.:** **29/303,373**

(22) **Filed:** **Feb. 7, 2008**

(51) **LOC (9) Cl.** ..... **09-01**

(52) **U.S. Cl.** ..... **D9/717; D9/502; D9/719**

(58) **Field of Classification Search** ..... D9/516,  
D9/528, 529, 531, 532, 535, 536, 550, 563,  
D9/572, 574, 575, 500-505, 520, 538, 556,  
D9/715-719; 206/509; 215/373, 382-385,  
215/396, 398; 222/465.1, 568; 220/709;  
D7/300, 300.1, 300.2, 302, 507, 509, 532

See application file for complete search history.

(56) **References Cited**

**U.S. PATENT DOCUMENTS**

4,494,668	A	*	1/1985	Lottick	.....	220/709
D379,151	S	*	5/1997	Stevens	.....	D9/503
D382,806	S	*	8/1997	Wilson et al.	.....	D9/502
D391,160	S	*	2/1998	Lauth	.....	D9/502
D391,161	S	*	2/1998	Lauth	.....	D9/503
D396,807	S	*	8/1998	Lauth	.....	D9/503

D410,197	S	*	5/1999	Herrin et al.	.....	D9/502
D448,670	S	*	10/2001	Bretz et al.	.....	D9/520
D482,623	S	*	11/2003	Martin	.....	D9/538
D530,568	S	*	10/2006	Wingenter	.....	D7/507
D538,658	S	*	3/2007	Horne et al.	.....	D9/502
D560,512	S	*	1/2008	Safar	.....	D9/716
D566,472	S	*	4/2008	Kramer	.....	D7/532

\* cited by examiner

*Primary Examiner*—Stella M Reid

*Assistant Examiner*—Shanda C Hill

(74) *Attorney, Agent, or Firm*—Husch Blackwell Sanders  
Welsh & Katz

(57) **CLAIM**

The ornamental design for a bottle, as shown and described.

**DESCRIPTION**

FIG. 1 is a perspective view of a bottle showing my new design;

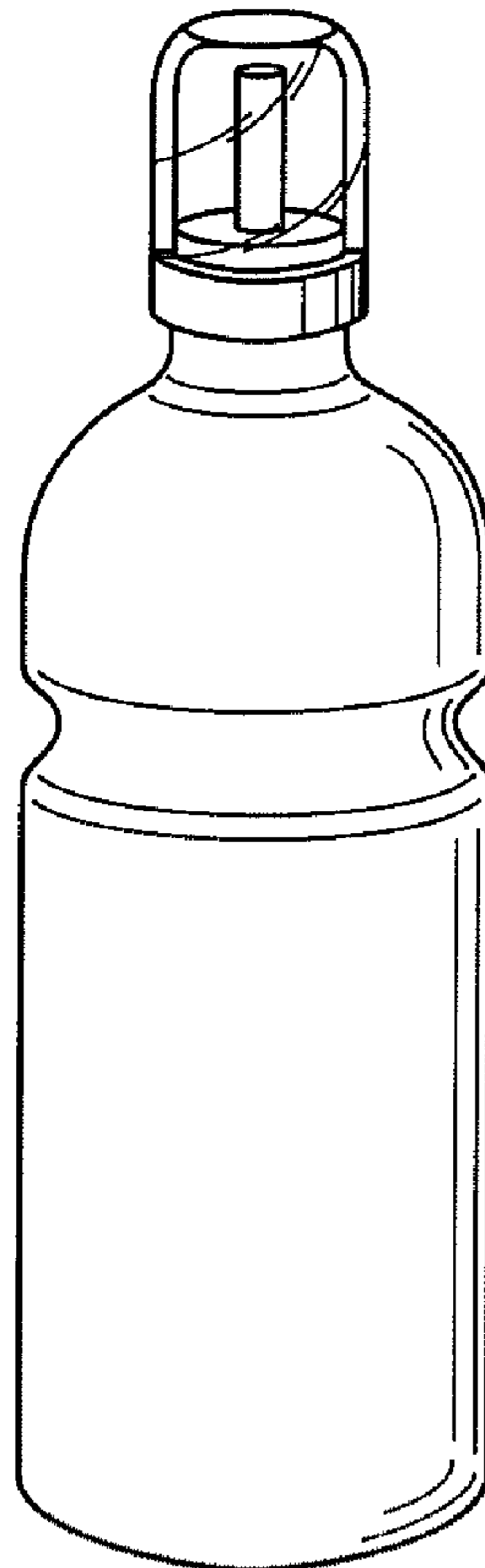
FIG. 2 is a top plan view thereof;

FIG. 3 is a front elevation view thereof;

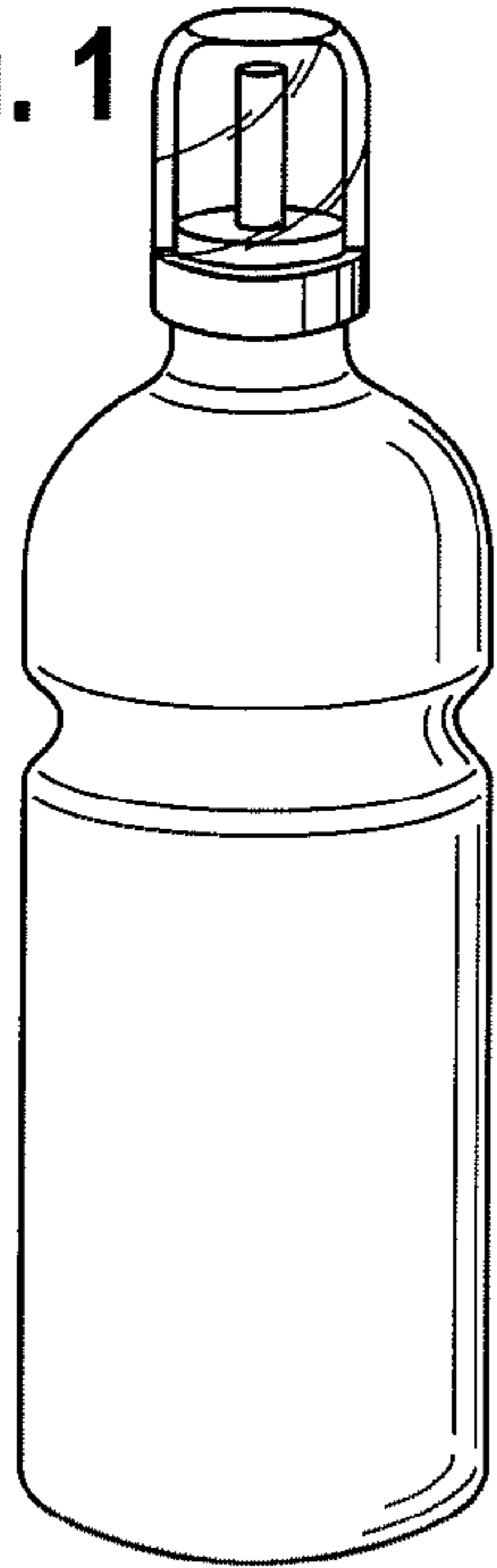
FIG. 4 is a bottom plan view thereof; and,

FIG. 5 is a cross sectional view thereof, taken along line 5—5 of FIG. 3.

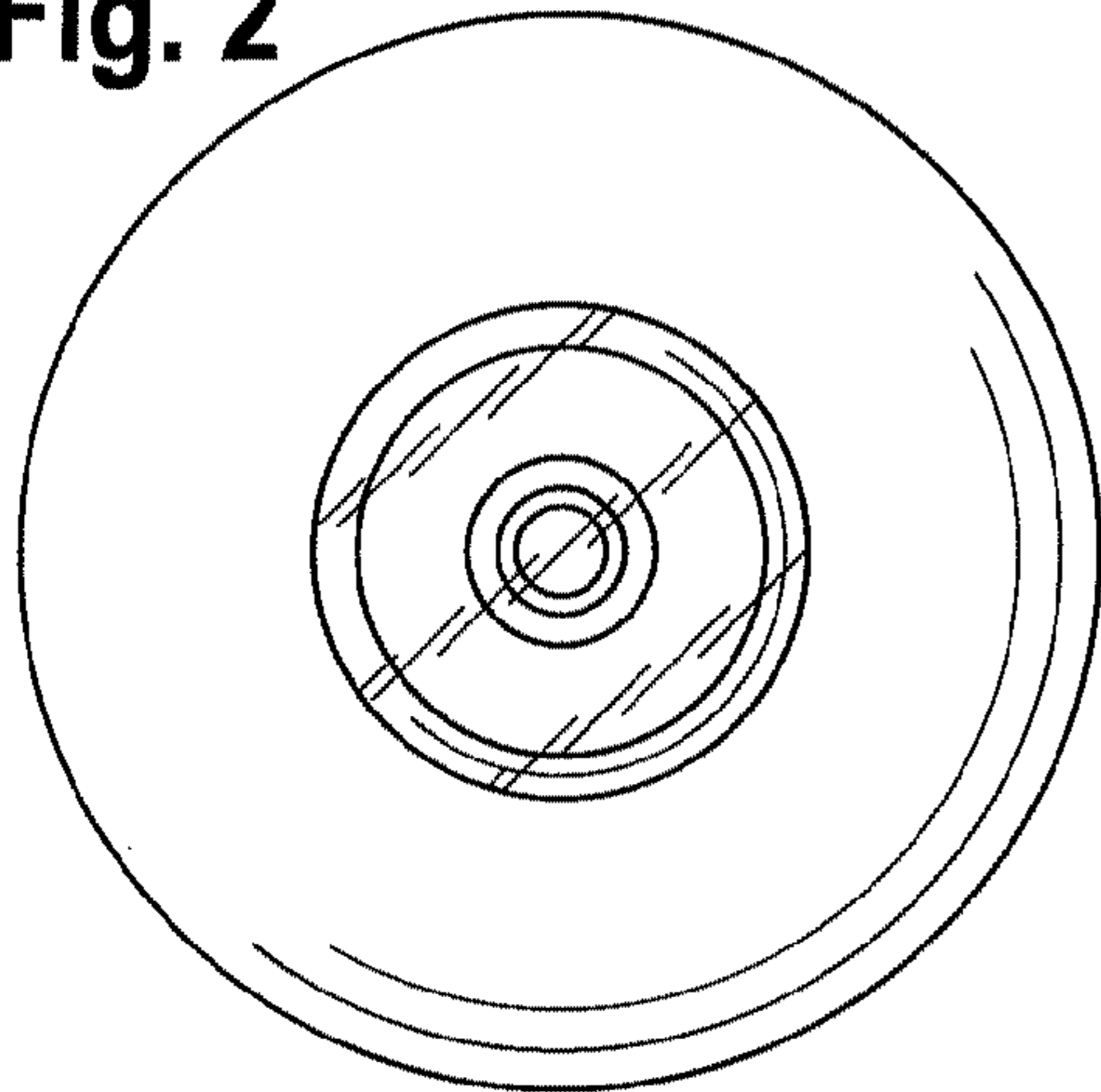
**1 Claim, 2 Drawing Sheets**



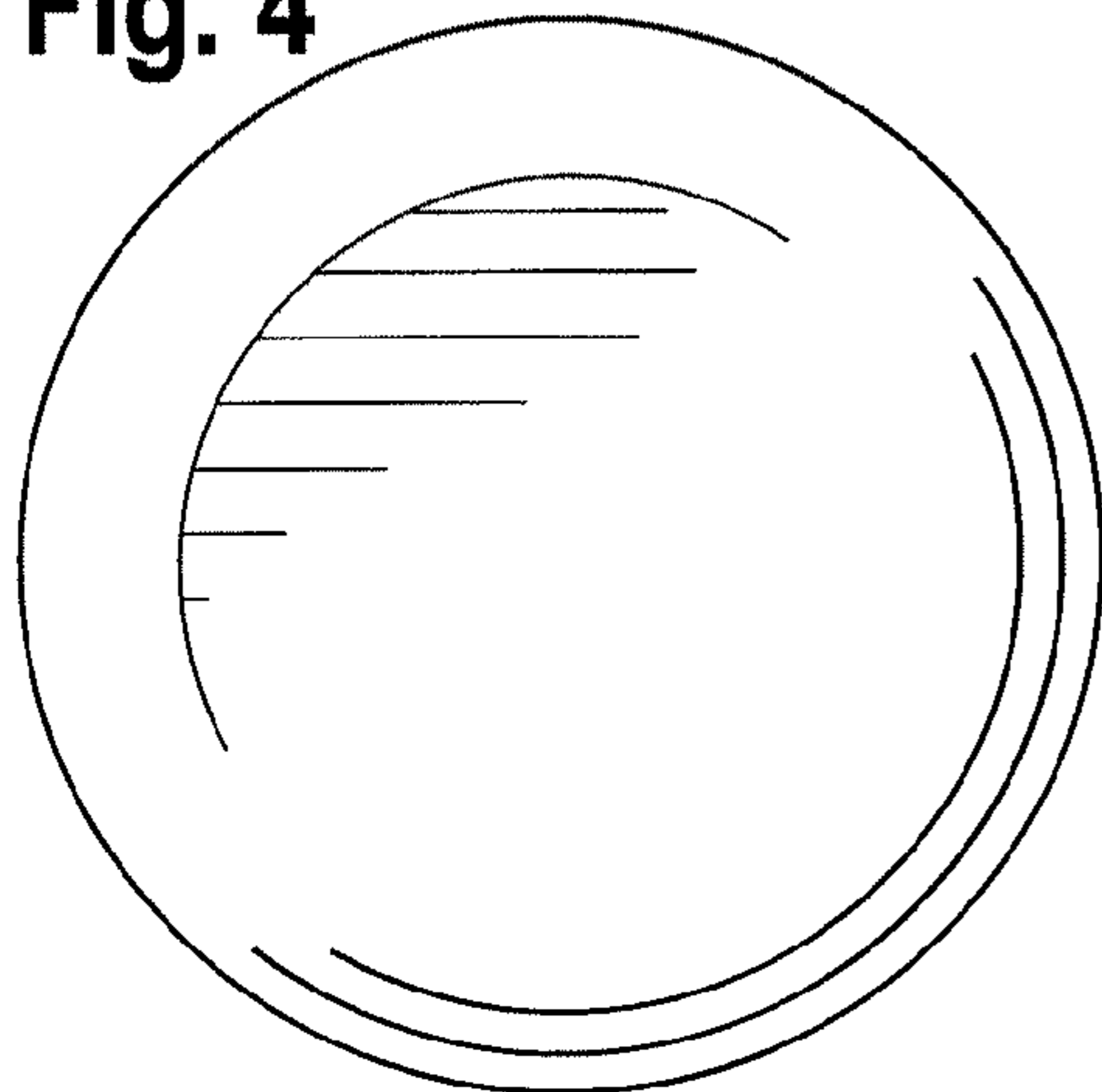
**Fig. 1**



**Fig. 2**

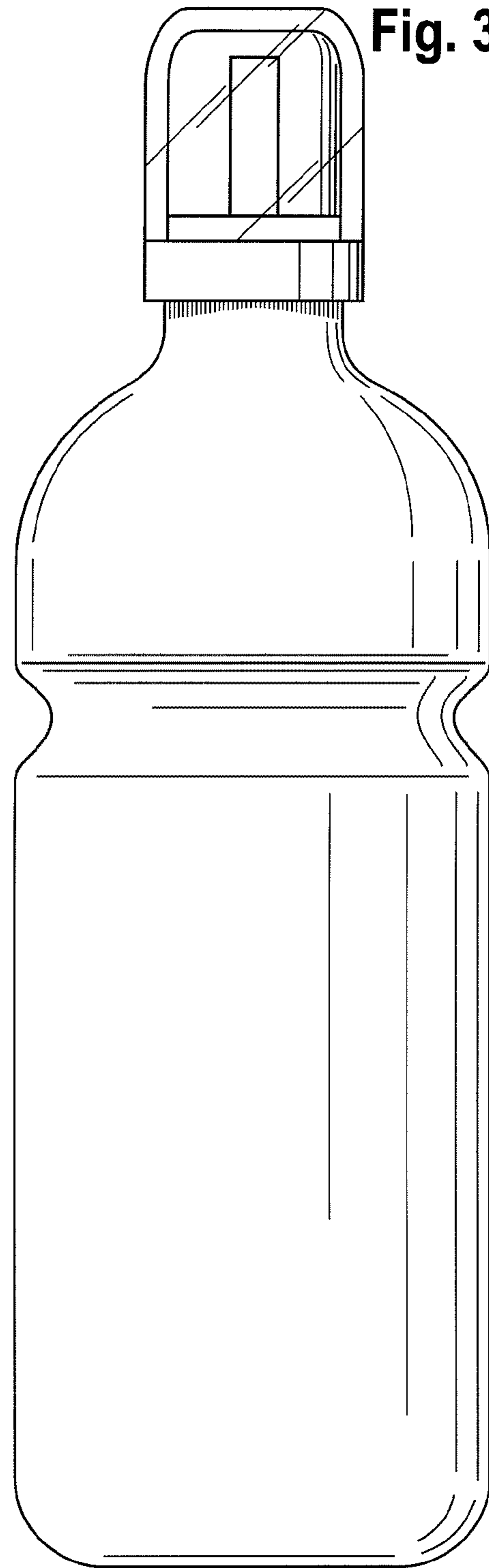


**Fig. 4**



**5+**

**Fig. 3**



**5+**

Fig. 5

