



US00D587131S

(12) **United States Design Patent**
Friedland et al.

(10) **Patent No.:** **US D587,131 S**

(45) **Date of Patent:** **** Feb. 24, 2009**

(54) **ISO TRIANGLE SHAPED VACUUM POUCH**

(75) Inventors: **Jason Friedland**, Franklin, TN (US);
Angel Hernanadez, Nolensville, TN
(US); **Rebecca Morgan Valentine**,
Franklin, TN (US); **Peter Slusarczyk**,
Nolensville, TN (US)

(73) Assignee: **MARS, Incorporated**, McLean, VA
(US)

(**) Term: **14 Years**

(21) Appl. No.: **29/287,515**

(22) Filed: **Aug. 17, 2007**

(51) **LOC (9) Cl.** **09-05**

(52) **U.S. Cl.** **D9/707**

(58) **Field of Classification Search** D9/703-710,
D9/713-714, 720-722, 430-433, 414, 418,
D9/424; 383/103, 107, 114, 200, 203, 84,
383/113, 47, 100, 108; 229/200, 87.06

See application file for complete search history.

(56) **References Cited**

U.S. PATENT DOCUMENTS

D87,540 S *	8/1932	Picker	D7/553.8
D113,440 S	2/1939	Salfisberg		
D115,526 S	7/1939	Salfisberg		
D134,061 S	10/1942	Salfisberg		
D137,262 S	2/1944	Hiemenz		
2,654,471 A	10/1953	Kopald et al.		
2,973,006 A	2/1961	Nelson		
D193,811 S	10/1962	Ebbet		
D201,644 S	7/1965	Cave		
3,294,224 A	12/1966	Horwitz		

3,387,766 A	6/1968	Emanuel
3,502,487 A	3/1970	Byrd
3,650,461 A	3/1972	Hutcheson et al.
D242,900 S	1/1977	Seiferth et al.
D250,880 S	1/1979	Stone et al.
4,378,069 A	3/1983	Franco
4,543,279 A	9/1985	Kai
D297,306 S	8/1988	King

(Continued)

OTHER PUBLICATIONS

U.S. Appl. No. 29/287,526, Friedland, et. al.

(Continued)

Primary Examiner—Caron Veynar

Assistant Examiner—Abraham Bahta

(74) *Attorney, Agent, or Firm*—Arent Fox LLP

(57) **CLAIM**

The ornamental design for an iso triangle shaped vacuum pouch, as shown and described.

DESCRIPTION

FIG. 1 is a perspective view of an iso triangle shaped vacuum pouch showing our new design;

FIG. 2 is a top view of the design shown in FIG. 1, wherein the bottom view is identical or a mirror image thereof;

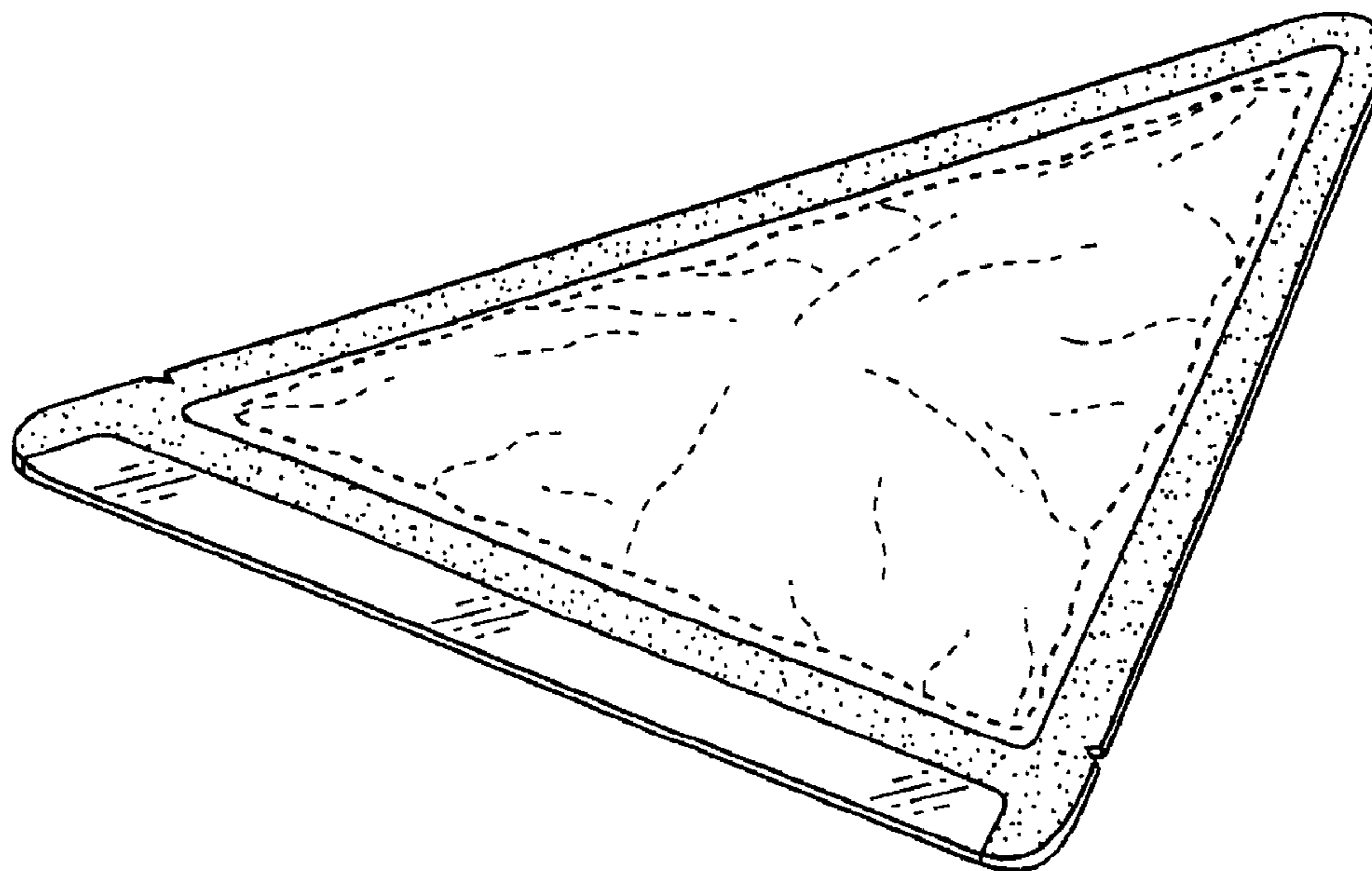
FIG. 3 is a front view of the design shown in FIG. 1;

FIG. 4 is a rear view of the design shown in FIG. 1; and,

FIG. 5 is a right side view of the design shown in FIG. 1, wherein the left view is identical or a mirror image thereof.

The broken lines shown in the drawing are for illustrative purposes only and form no part of the claimed design.

1 Claim, 2 Drawing Sheets



US D587,131 S

Page 2

U.S. PATENT DOCUMENTS

4,784,864	A	11/1988	Ikeda	
4,903,841	A	2/1990	Ohsima et al.	
D306,555	S	3/1990	Lane et al.	
D314,885	S	2/1991	Brunner	
D318,611	S	7/1991	Sherman	
5,038,547	A	8/1991	Kai et al.	
D326,222	S	5/1992	McAtarian	
D354,906	S	1/1995	Lane, Jr. et al.	
D386,698	S	11/1997	Giardiello	
5,779,052	A	7/1998	Woodford et al.	
D419,435	S *	1/2000	Bonfigli	D9/707
6,083,584	A	7/2000	Smith et al.	
D429,459	S	8/2000	Berman	
D436,847	S	1/2001	Berman	
D440,868	S	4/2001	Berman	
D442,078	S	5/2001	Fuquen	
6,267,507	B1 *	7/2001	de Laforcade	383/200
D446,445	S	8/2001	Croft et al.	
D450,574	S	11/2001	Campbell	
D452,144	S	12/2001	Tedeschi et al.	
D452,817	S	1/2002	Berman	
D454,457	S	3/2002	Ou-Young	
D454,487	S	3/2002	Bell et al.	
D462,897	S	9/2002	Amundson	
D463,266	S	9/2002	Zappa	
D463,738	S	10/2002	Jones	
D463,974	S	10/2002	Berman	
D465,726	S	11/2002	Tet	
D466,003	S	11/2002	Jones et al.	
D468,630	S	1/2003	Ambrose	
D469,120	S	1/2003	Maloney	
D470,757	S *	2/2003	Espinel et al.	D9/707
D471,090	S	3/2003	Jones	
D473,131	S	4/2003	Berman	
D473,132	S	4/2003	Berman	

D475,614	S	6/2003	Jones	
D475,915	S	6/2003	Lawrie et al.	
D476,883	S *	7/2003	Krohne	D9/705
D477,992	S	8/2003	Dennis et al.	
D486,730	S	2/2004	Rasmussen	
D522,374	S	6/2006	Nova et al.	
D542,152	S	5/2007	Klis	
D545,689	S	7/2007	Peel	
D551,567	S	9/2007	Berman	
D552,482	S *	10/2007	Lin	D9/703
D558,594	S	1/2008	Kirou et al.	
D558,601	S	1/2008	Berman	

OTHER PUBLICATIONS

U.S. Appl. No. 29/287,524, Friedland, et. al.
 U.S. Appl. No. 29/287,528, Friedland, et. al.
 U.S. Appl. No. 29/287,539, Beyer, et. al.
 U.S. Appl. No. 29/287,512, Friedland, et. al.
 U.S. Appl. No. 29/287,535, Friedland, et. al.
 U.S. Appl. No. 29/287,510, Friedland, et. al.
 U.S. Appl. No. 29/287,527, Friedland, et. al.
 U.S. Appl. No. 29/287,525, Friedland, et. al.
 U.S. Appl. No. 29/287,513, Friedland, et. al.
 U.S. Appl. No. 29/287,518, Beyer, et. al.
 U.S. Appl. No. 29/287,522, Shields.
 U.S. Appl. No. 29/287,520, Friedland, et. al.
 U.S. Appl. No. 29/287,536, Friedland, et. al.
 U.S. Appl. No. 29/287,514, Friedland, et. al.
 U.S. Appl. No. 29/287,519, Shields.
 U.S. Appl. No. 29/287,511, Friedland, et. al.
 U.S. Appl. No. 29/287,538, Friedland, et. al.
 U.S. Appl. No. 29/287,523, Friedland, et. al.
 U.S. Appl. No. 29/287,537, Friedland, et. al.
 U.S. Appl. No. 29/287,521, Friedland, et. al.
 U.S. Appl. No. 11/840,825, Slusarczyk, et. al.

* cited by examiner

FIG.1

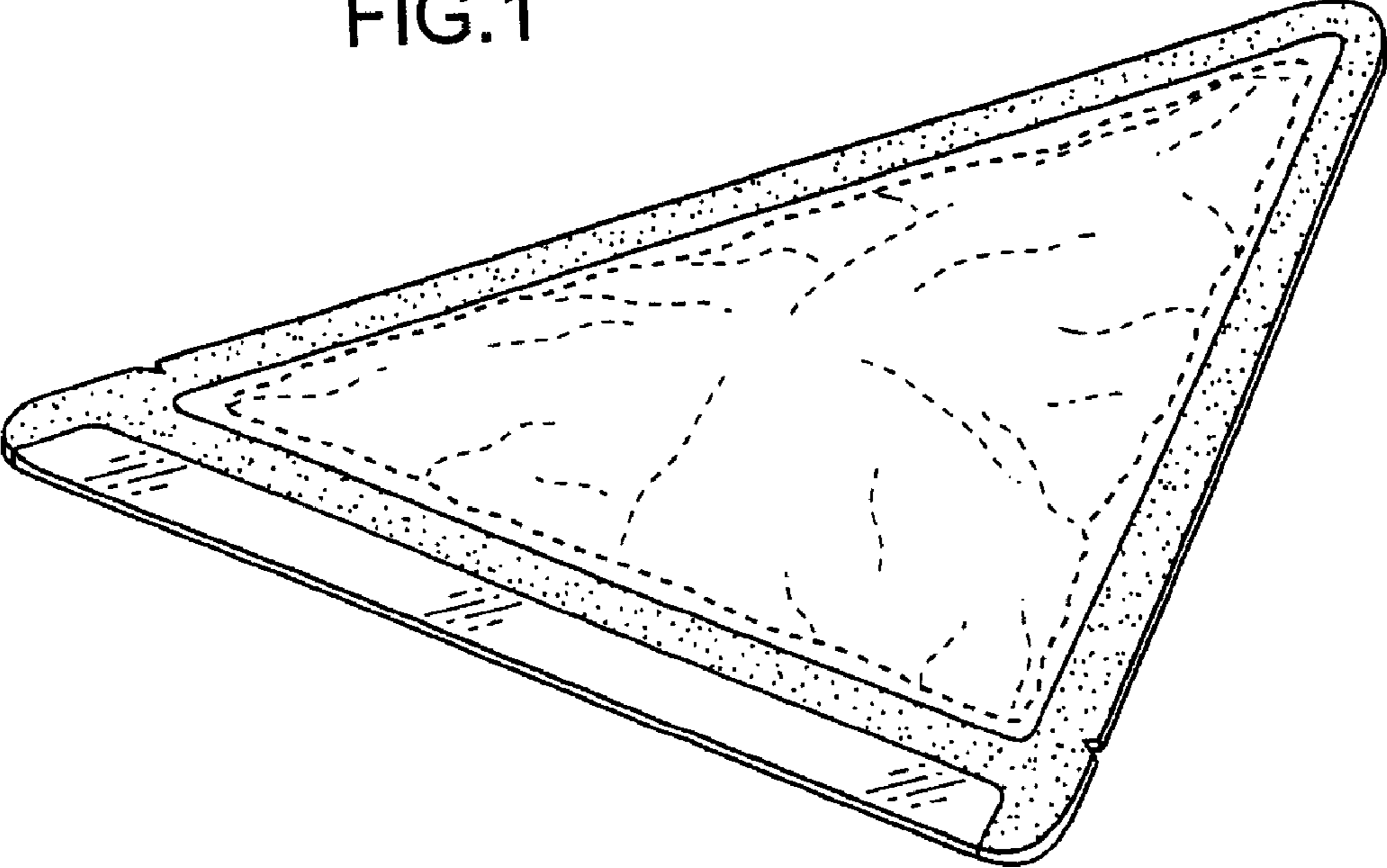


FIG.2

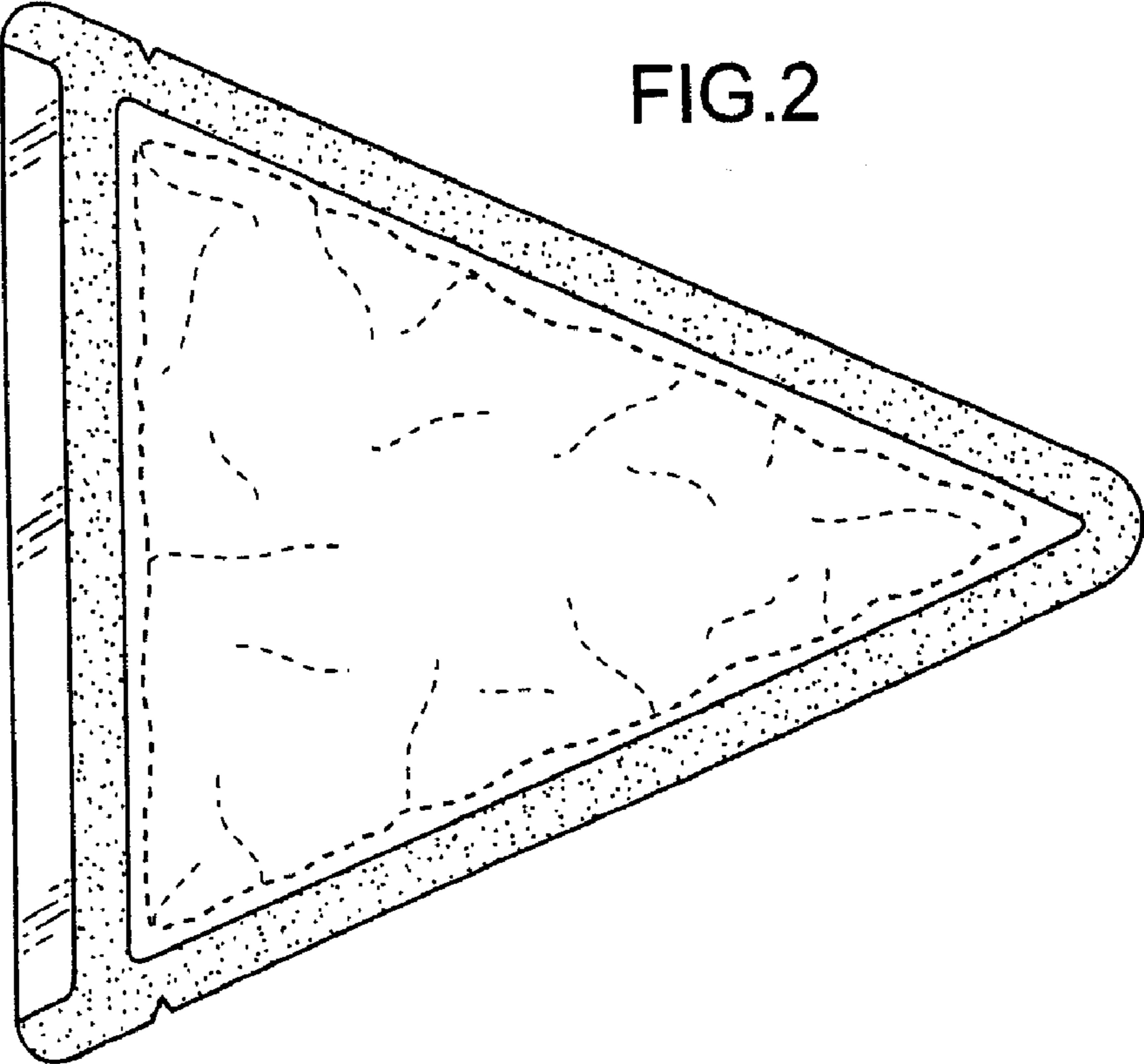


FIG.3

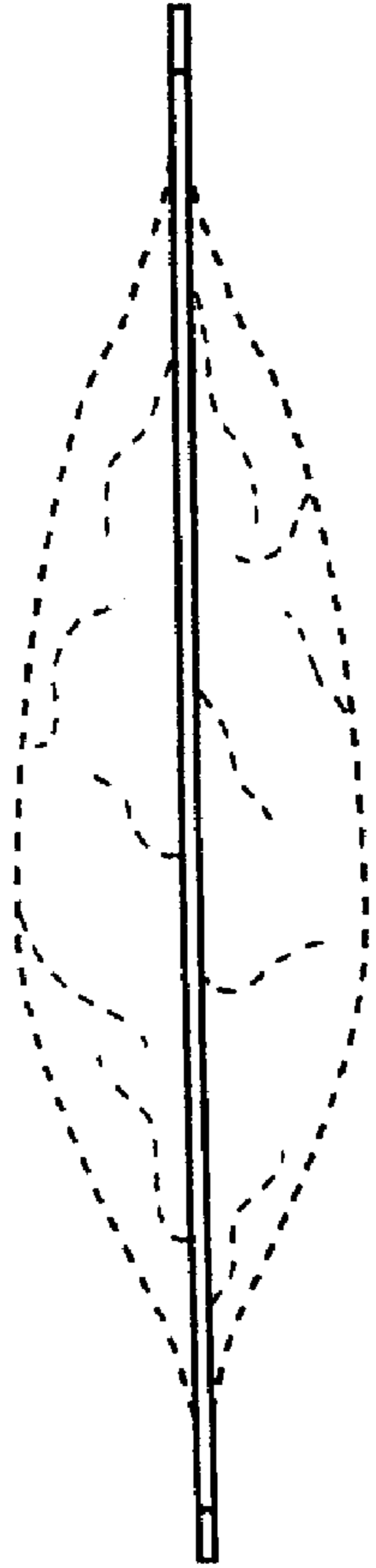


FIG.4

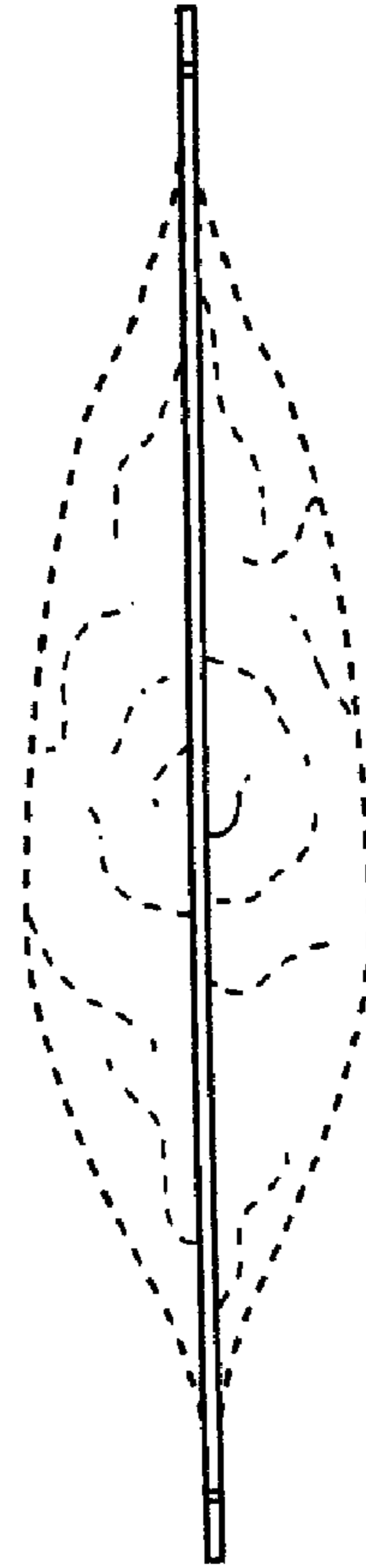
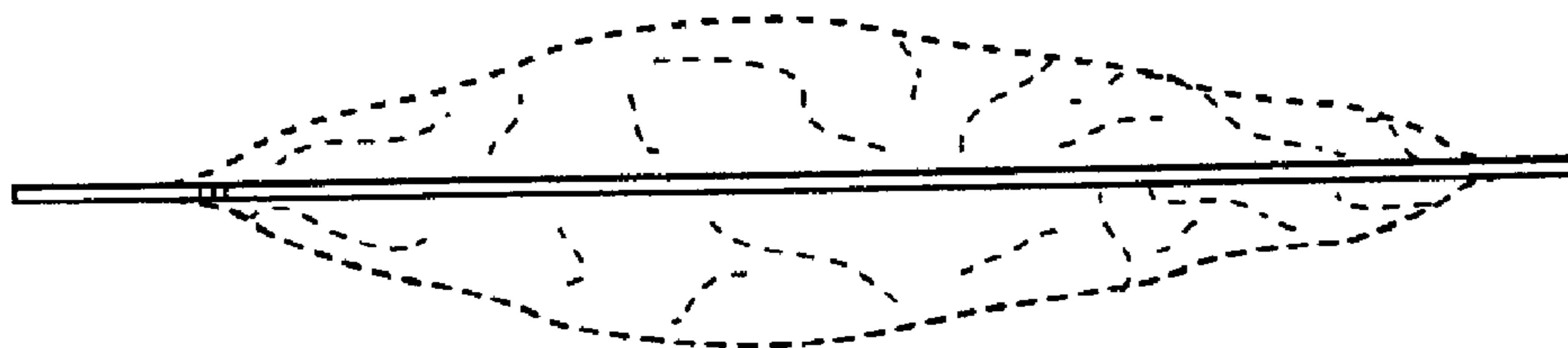


FIG.5



UNITED STATES PATENT AND TRADEMARK OFFICE
CERTIFICATE OF CORRECTION

PATENT NO. : Des. 587,131 S
APPLICATION NO. : 29/287515
DATED : February 24, 2009
INVENTOR(S) : Jason Friedland et al.

Page 1 of 1

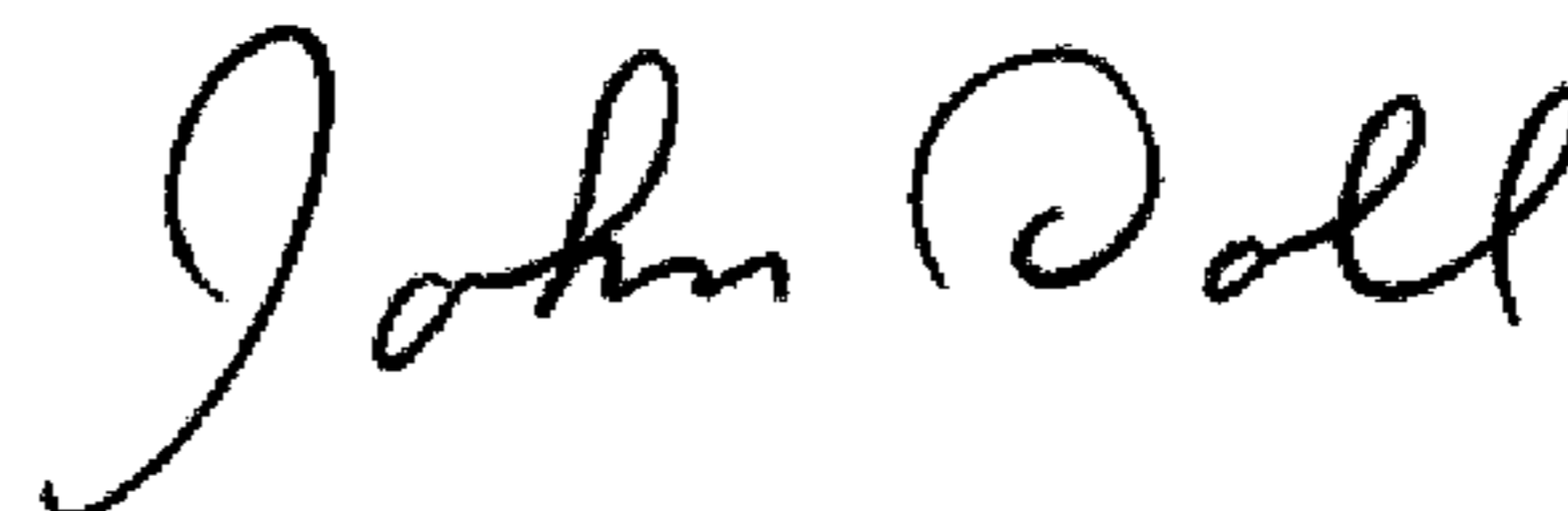
It is certified that error appears in the above-identified patent and that said Letters Patent is hereby corrected as shown below:

Title page, item (75)

Delete the second inventor's last name incorrectly shown as "HERNANADEZ" and insert --HERNANDEZ--.

Signed and Sealed this

Thirty-first Day of March, 2009



JOHN DOLL

Acting Director of the United States Patent and Trademark Office