



US00D587130S

(12) **United States Design Patent**
Schiffman et al.

(10) **Patent No.:** **US D587,130 S**
(45) **Date of Patent:** **** Feb. 24, 2009**

(54) **HAND-HELD FOOD PACKAGE**

(75) Inventors: **Robert F. Schiffman**, New York, NY
(US); **Stephen Belko**, Blackwood, NJ
(US); **Robert A. Ziegler**, E. Windsor, NJ
(US); **Scott E. Miller**, Lawrenceville, NJ
(US); **Brian M. Orme**, Audobon, PA
(US)

(73) Assignee: **Nestec S.A.** (CH)

(**) Term: **14 Years**

(21) Appl. No.: **29/214,124**

(22) Filed: **Sep. 28, 2004**

(51) **LOC (9) Cl.** **09-01**

(52) **U.S. Cl.** **D9/707**

(58) **Field of Classification Search** D9/703,
D9/430, 433, 707, 710, 713, 714; 156/277,
156/210; 206/466.82; 383/38, 61.2, 94,
383/100

See application file for complete search history.

(56) **References Cited**

U.S. PATENT DOCUMENTS

D29,594 S * 11/1898 Arkell D9/703
D234,417 S * 3/1975 Bair D9/703
3,935,993 A * 2/1976 Doyen et al. 383/94
4,460,426 A * 7/1984 Saito 156/277
5,059,036 A * 10/1991 Richison et al. 383/61.2

D329,015 S * 9/1992 Stoyanoff D9/703
D349,451 S * 8/1994 Sagnard D9/703
5,380,093 A * 1/1995 Goldman 383/38
D360,577 S * 7/1995 van Loo D9/707
D432,907 S * 10/2000 Hyde D9/703
6,170,985 B1 * 1/2001 Shabram et al. 383/100
D497,543 S * 10/2004 Buckley D9/703

* cited by examiner

Primary Examiner—Stella M Reid

Assistant Examiner—Rashida C McCoy

(74) *Attorney, Agent, or Firm*—Kilpatrick Stockton LLP

(57) **CLAIM**

The ornamental design for a hand-held food package, as shown and described.

DESCRIPTION

FIG. 1 is a top isometric view of a hand-held food package, with a hand-held sandwich inserted, showing our new design;

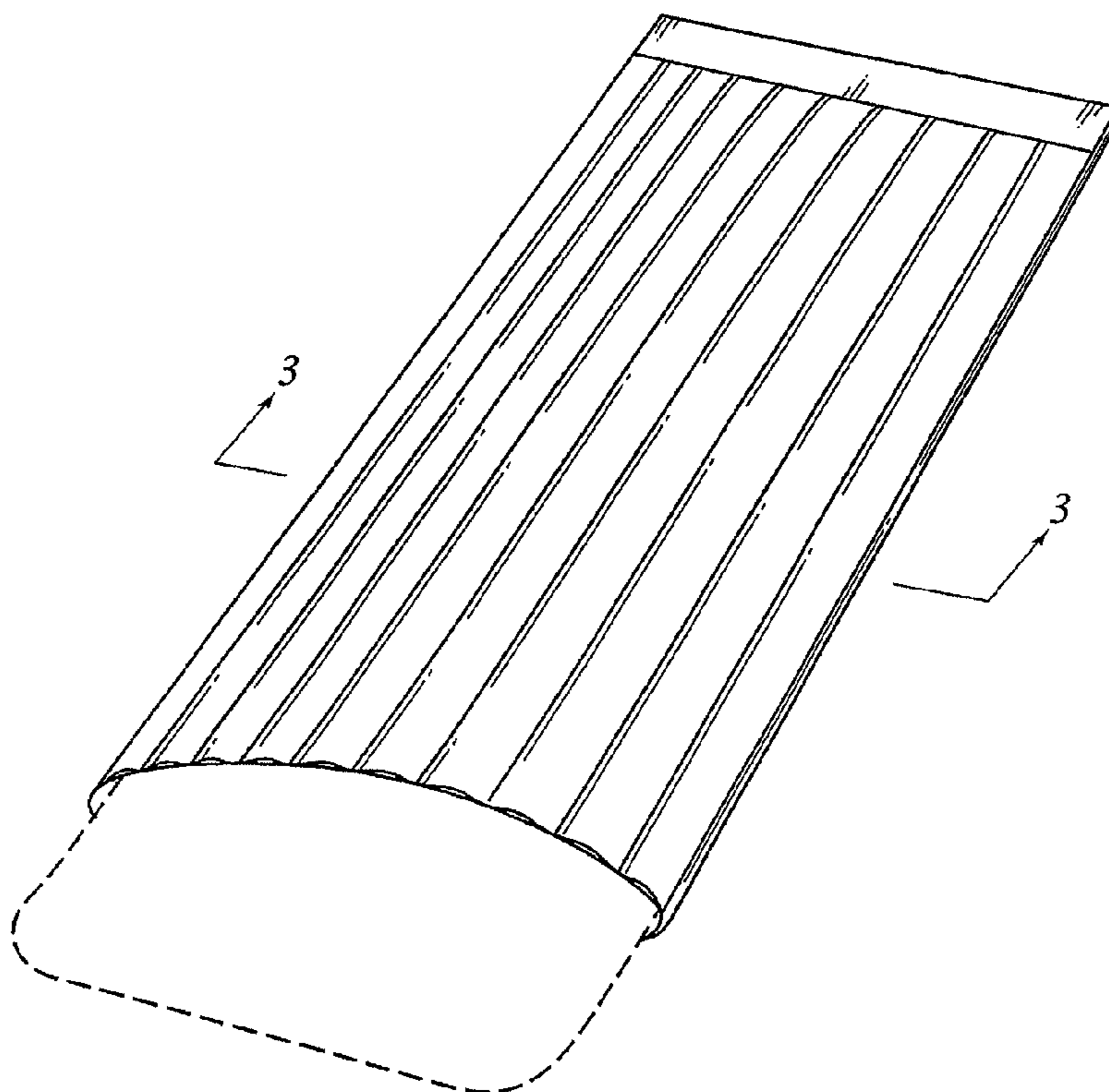
FIG. 2 is a top plan view thereof;

FIG. 3 is a cross sectional view taken along line 3—3 in FIG. 1, with a hand-held sandwich inserted; and,

FIG. 4 is a cross sectional view taken along line 4—4 in FIG. 3.

The broken line showing of a hand held sandwich in FIGS. 1 and 3 is included for illustrative purposes only and forms no part of the claimed design.

1 Claim, 3 Drawing Sheets



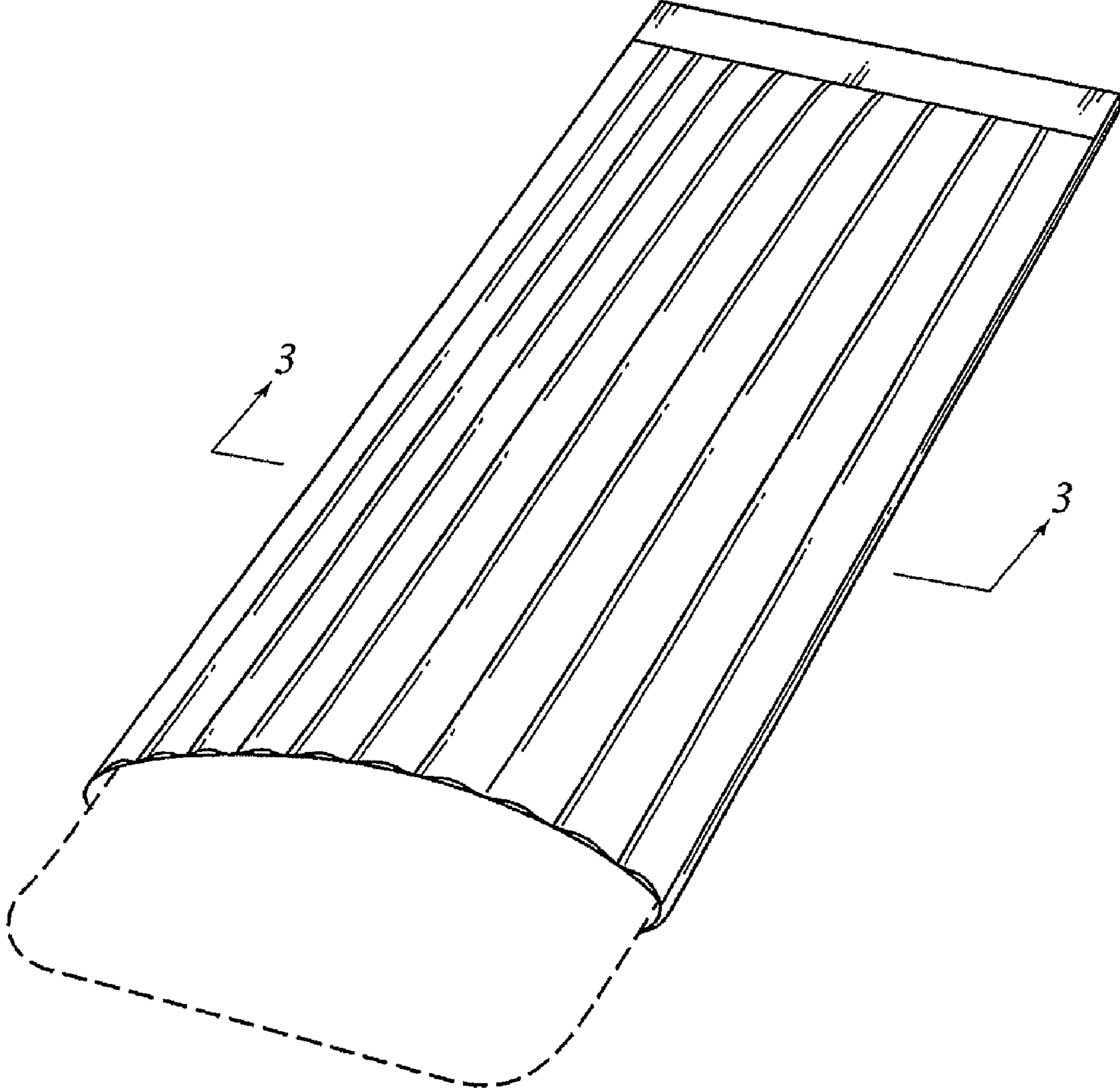


FIG. 1

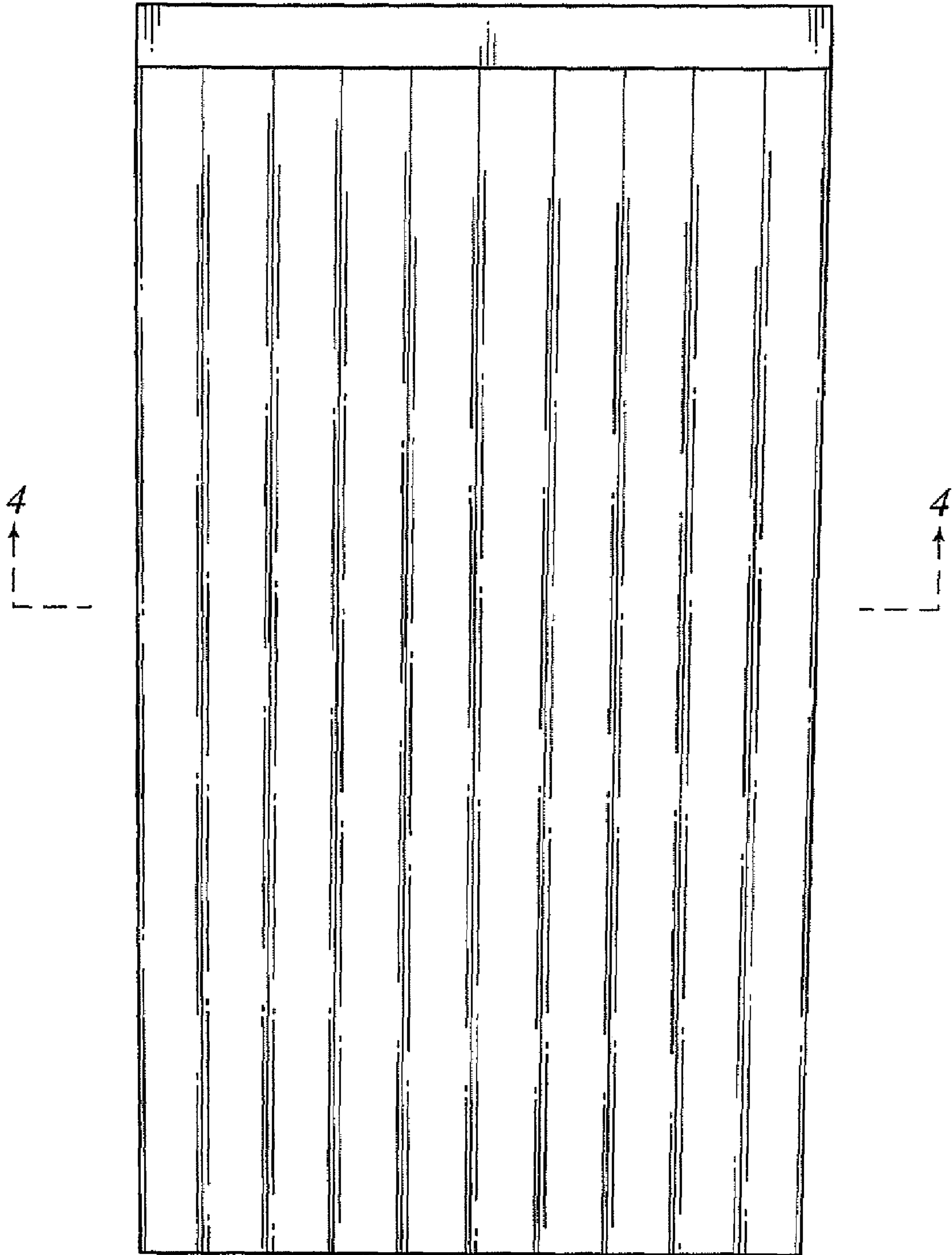


FIG. 2

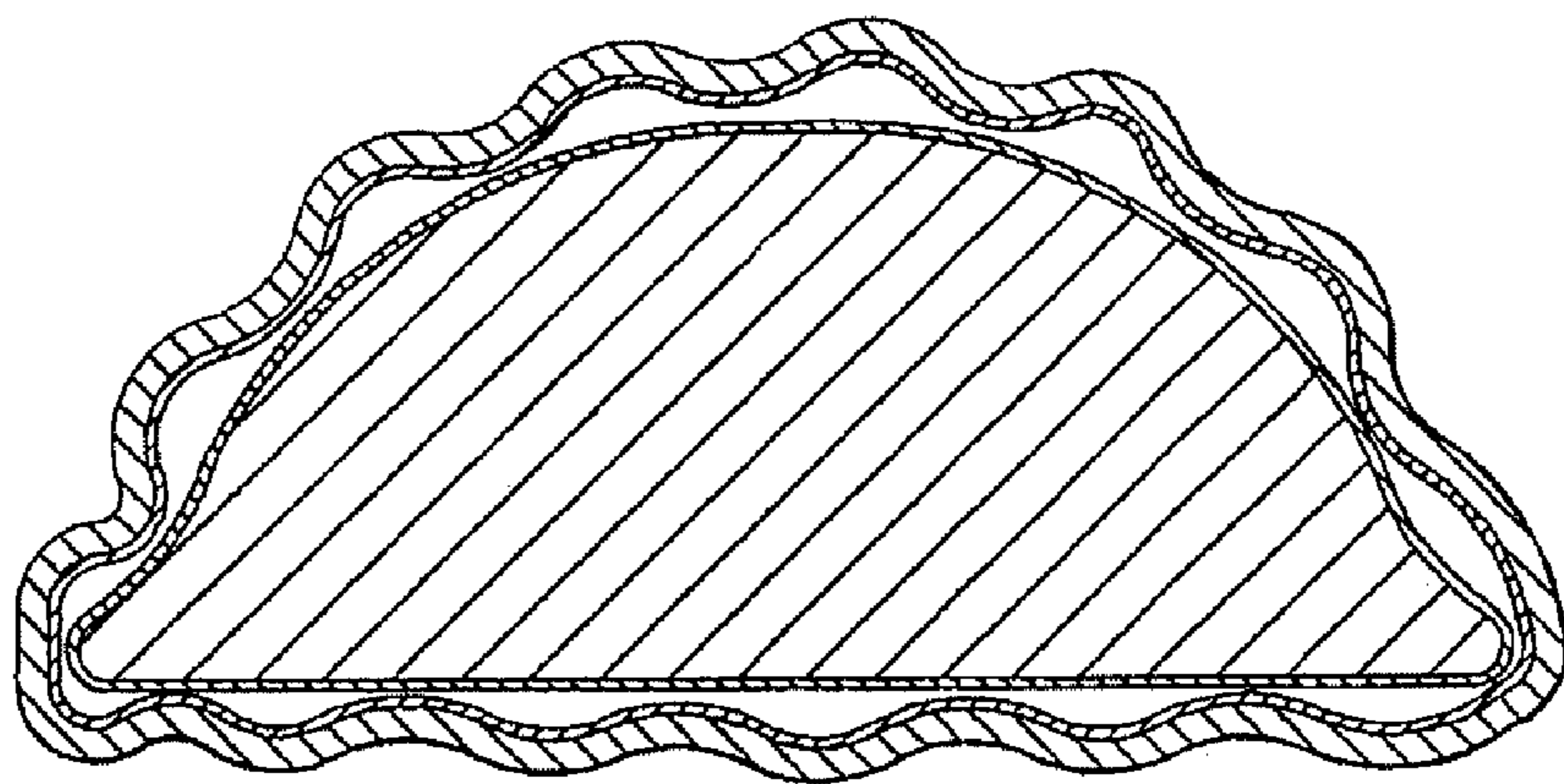


FIG. 3

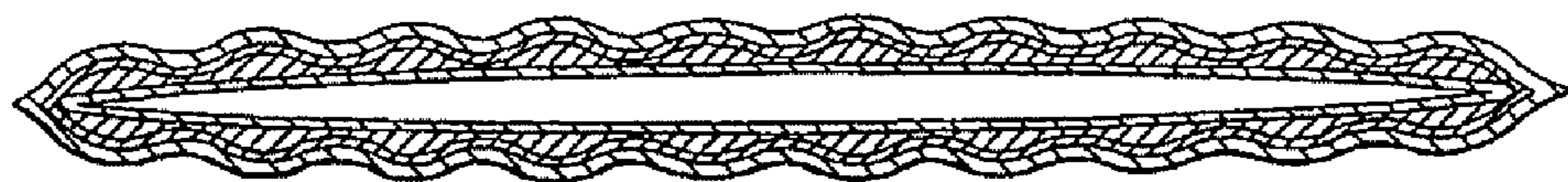


FIG. 4