



US00D587116S

(12) **United States Design Patent**
Landry

(10) **Patent No.:** **US D587,116 S**
(45) **Date of Patent:** **** Feb. 24, 2009**

(54) **EGG FILLER FLAT**

(75) Inventor: **Paul Landry**, Cheraw, SC (US)

(73) Assignee: **Cascades Canada Inc.**, Kingsey Falls (Quebec) (CA)

(**) Term: **14 Years**

(21) Appl. No.: **29/322,105**

(22) Filed: **Jul. 29, 2008**

(51) **LOC (9) Cl.** **09-07**

(52) **U.S. Cl.** **D9/456**

(58) **Field of Classification Search** D9/345,
D9/414, 424, 425, 434, 456, 737, 755, 761,
D9/758; D3/311, 312, 313, 314; 206/265,
206/427, 504, 518, 519, 524.1, 557, 561,
206/564, 565, 703, 704, 705; D7/553.1,
D7/553.2, 614

See application file for complete search history.

(56) **References Cited**

U.S. PATENT DOCUMENTS

3,917,152	A	11/1975	Burkett	
3,985,256	A	10/1976	Burkett	
D259,917	S	7/1981	Horsting	
6,276,531	B1	8/2001	Andrews	
D494,867	S *	8/2004	Apps	D9/456
D529,401	S *	10/2006	Aoki	D9/756
D535,881	S *	1/2007	Liukko	D9/456
D567,672	S *	4/2008	Sheu	D9/758

OTHER PUBLICATIONS

- Egg filler flat, Model S-30—Pactiv.
- Egg filler flat, Model X-cell—Pactiv.

• Egg filler flat, Model CX-30—Cascades inc.

<https://pactivnet.pactiv.com/ProductCatalog/Rooms/DisplayPages/LayoutInitial?Container=com.webridge.entity>.

Entity%5BROID%5B84C77F6C26B2D7119A990002A5DA46D2%5D%5D.

<https://pactivnet.pactiv.com/ProductCatalog/Rooms/DisplayPages/LayoutInitial?Container=com.webridge.entity>.

Entity%5BROID%5BD908D3DD91E7D611A47E0002A5F6DF%5D%5D.

http://www.eggcartons.com/product-exec/product_id/123/nm/Recycled_Pulp_Egg_Tray_Extra_Large_30_Egg_CX_30.

* cited by examiner

Primary Examiner—Robert M Spear

Assistant Examiner—Barbara B Lohr

(74) *Attorney, Agent, or Firm*—Sutherland Asbill & Brennan LLP

(57) **CLAIM**

The ornamental design for an egg filler flat, as shown and described.

DESCRIPTION

FIG. 1 is a perspective view of an egg filler flat;

FIG. 2 is a top plan view thereof;

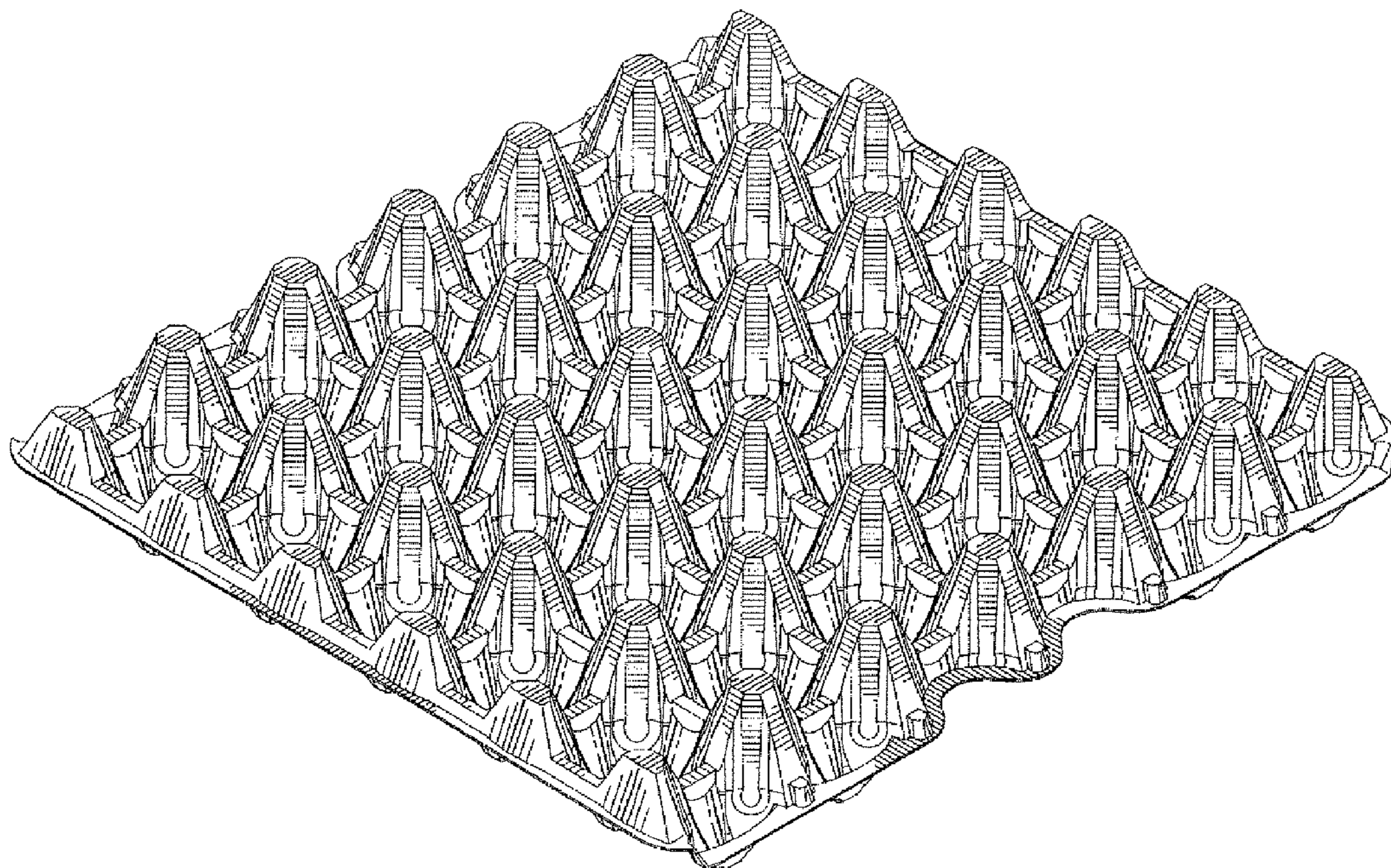
FIG. 3 is a bottom plan view thereof;

FIG. 4 is a front elevation view thereof, the rear elevation view being a mirror image thereof; and,

FIG. 5 is a right side elevation view thereof; the left side being a mirror image thereof.

The parts shown in dotted lines form no part of the invention.

1 Claim, 4 Drawing Sheets



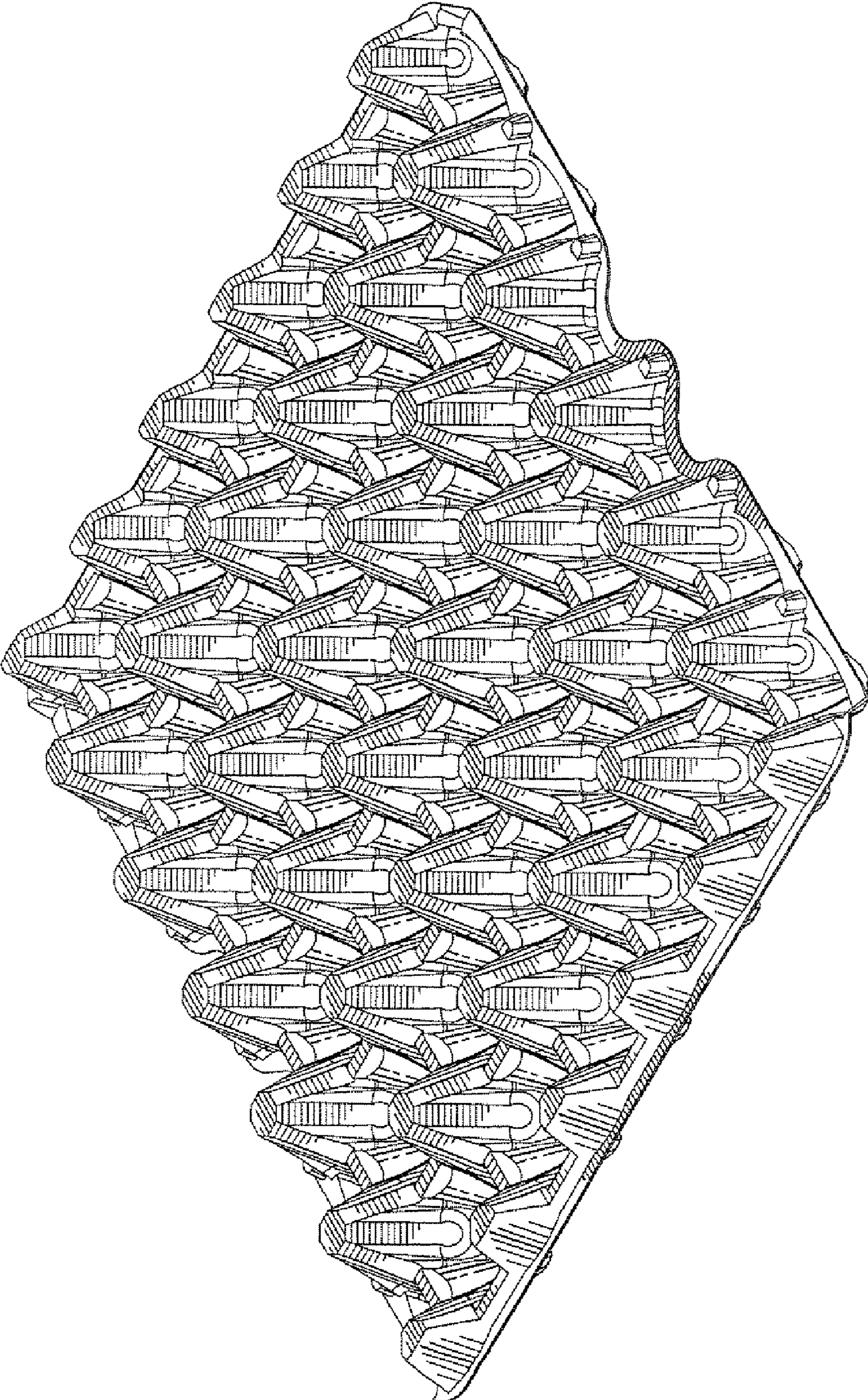


FIG. 1

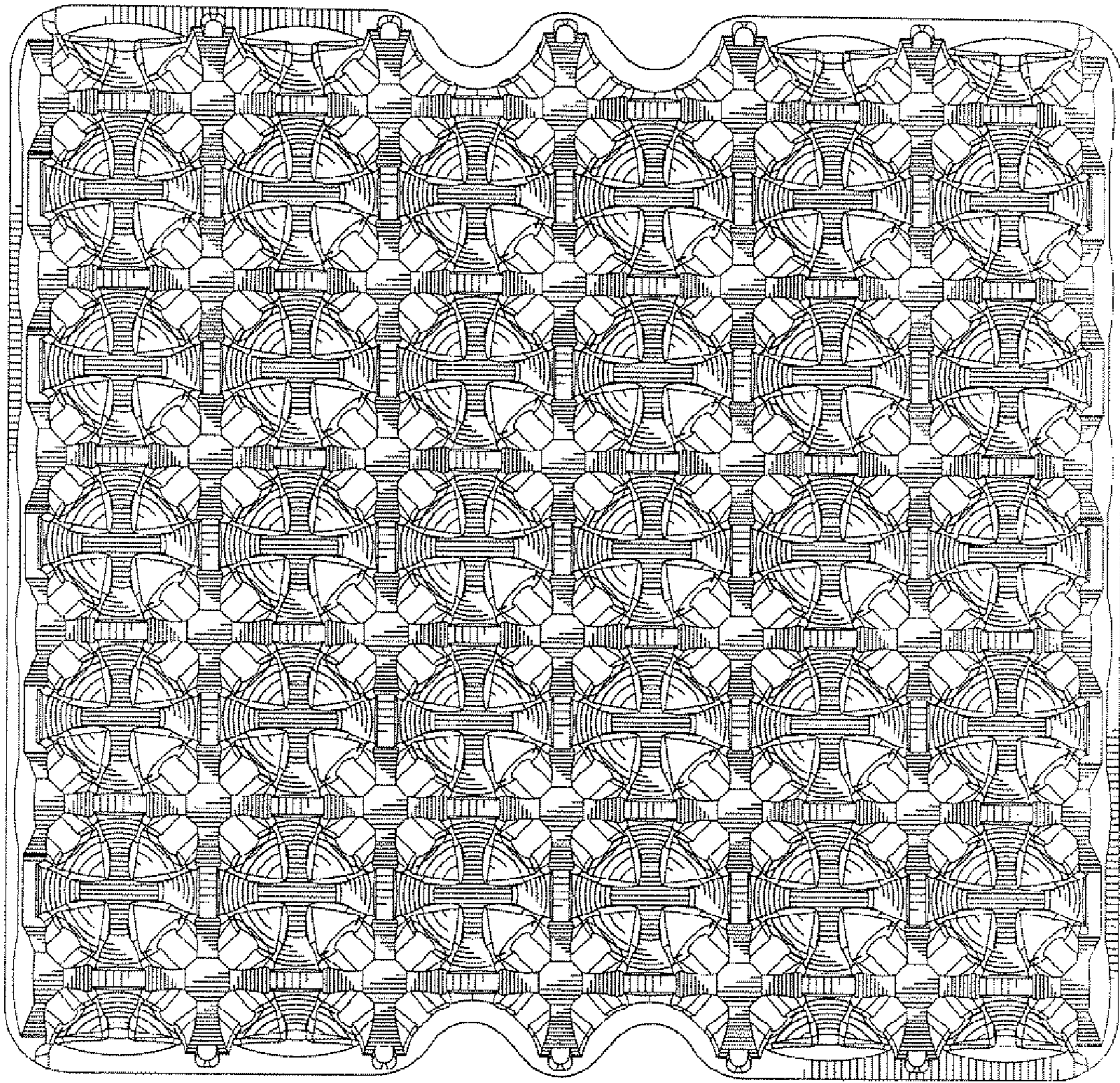


FIG-2

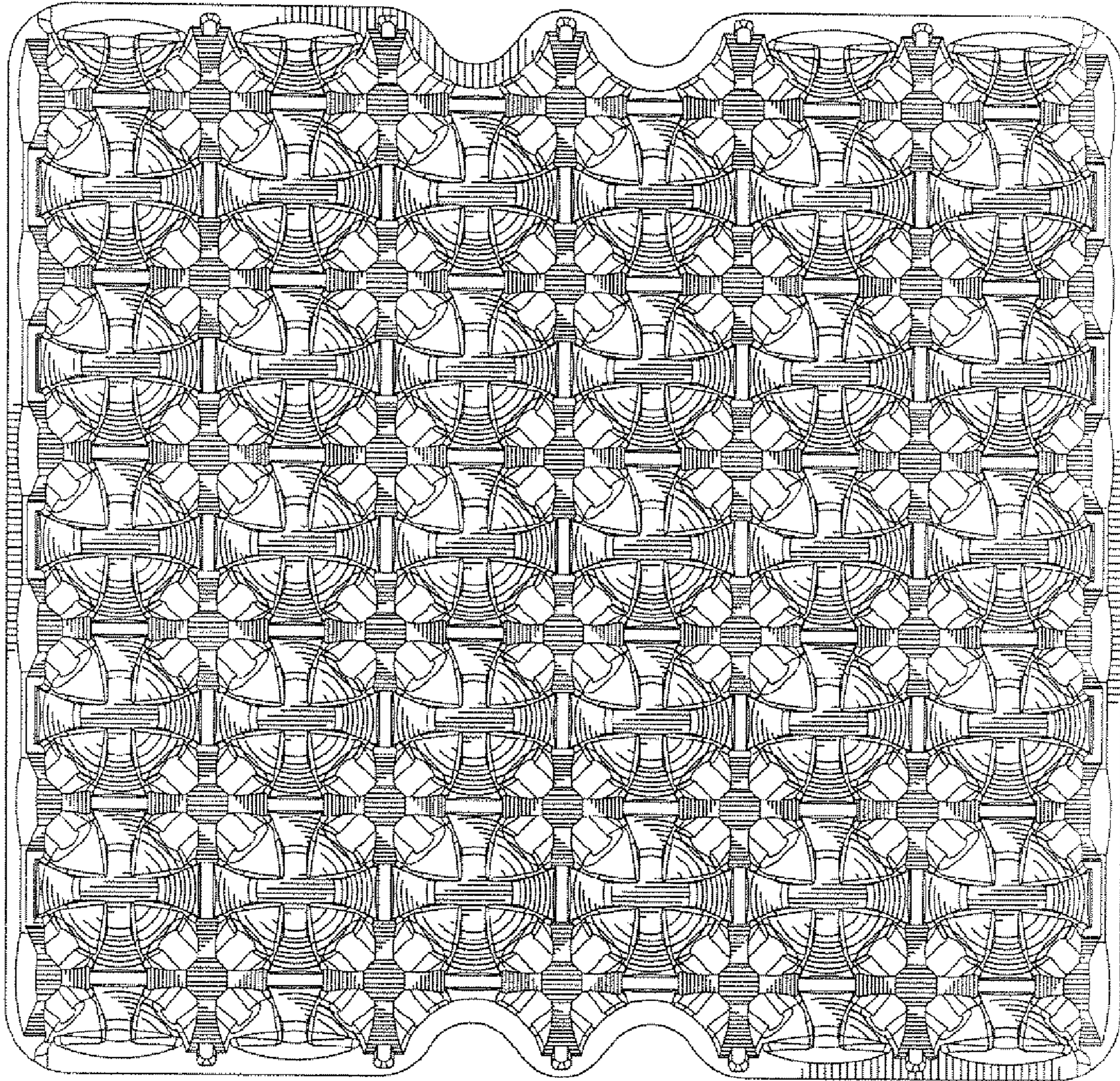


FIG. 3

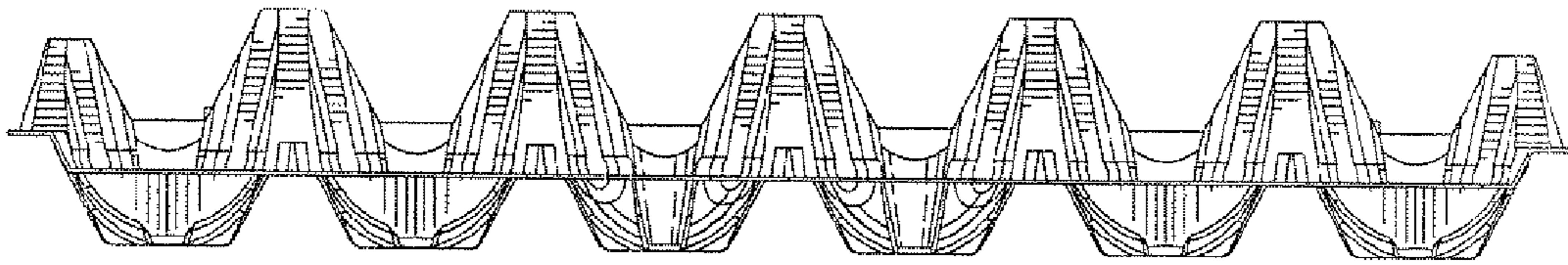


FIG-4

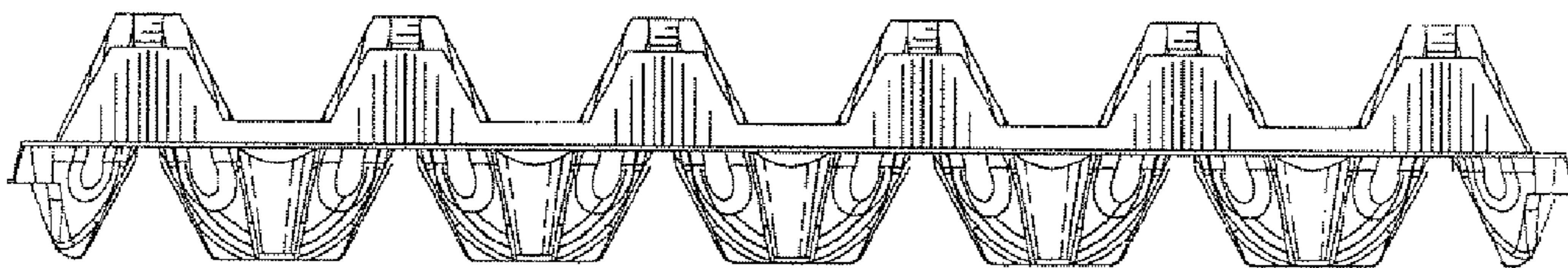


FIG-5