



US00D587115S

(12) **United States Design Patent**
Capretta et al.

(10) **Patent No.:** **US D587,115 S**
(45) **Date of Patent:** **** Feb. 24, 2009**

(54) **CONTAINER LID**

(75) Inventors: **Dominic P. Capretta**, Lancaster, OH
(US); **Galen G. German**, Somerset, OH
(US)

(73) Assignee: **Crown Packaging Technology, Inc.**,
Alsip, IL (US)

(**) Term: **14 Years**

(21) Appl. No.: **29/297,583**

(22) Filed: **Nov. 14, 2007**

(51) **LOC (9) Cl.** **09-07**

(52) **U.S. Cl.** **D9/453; D9/434**

(58) **Field of Classification Search** D9/505,
D9/453, 452, 449, 446, 434, 435; D24/121;
D12/197; 220/780, 781, 288, 254.3; 215/329,
215/252, 237, 230, 216; 600/577
See application file for complete search history.

(56) **References Cited**

U.S. PATENT DOCUMENTS

D184,083	S	*	12/1958	White	D9/453
3,128,903	A	*	4/1964	Brewer	220/781
3,369,689	A		2/1968	Dodge		
4,730,745	A		3/1988	Perry		
5,341,949	A		8/1994	Hayes		
D358,769	S	*	5/1995	Luch et al.	D9/453
5,566,854	A		10/1996	Rojek		
5,881,897	A		3/1999	Rojek		

D407,978	S	*	4/1999	Petro	D9/453
D458,138	S	*	6/2002	Fuchs	D9/453
D513,181	S	*	12/2005	Bloom et al.	D9/453
D516,911	S	*	3/2006	Bloom et al.	D9/453
D572,131	S	*	7/2008	Berman	D9/453
D573,022	S	*	7/2008	Berman	D9/453
2002/0037378	A1	*	3/2002	Littlejohn et al.	220/780

* cited by examiner

Primary Examiner—Susan B Hattan

(74) *Attorney, Agent, or Firm*—Knoble, Yoshida & Dunleavy,
LLC

(57) **CLAIM**

The ornamental design for a “container lid,” as shown and described.

DESCRIPTION

FIG. 1 is a perspective view showing my new design;

FIG. 2 is a top plan view;

FIG. 3 is a bottom top plan view

FIG. 4 is a first side elevational view;

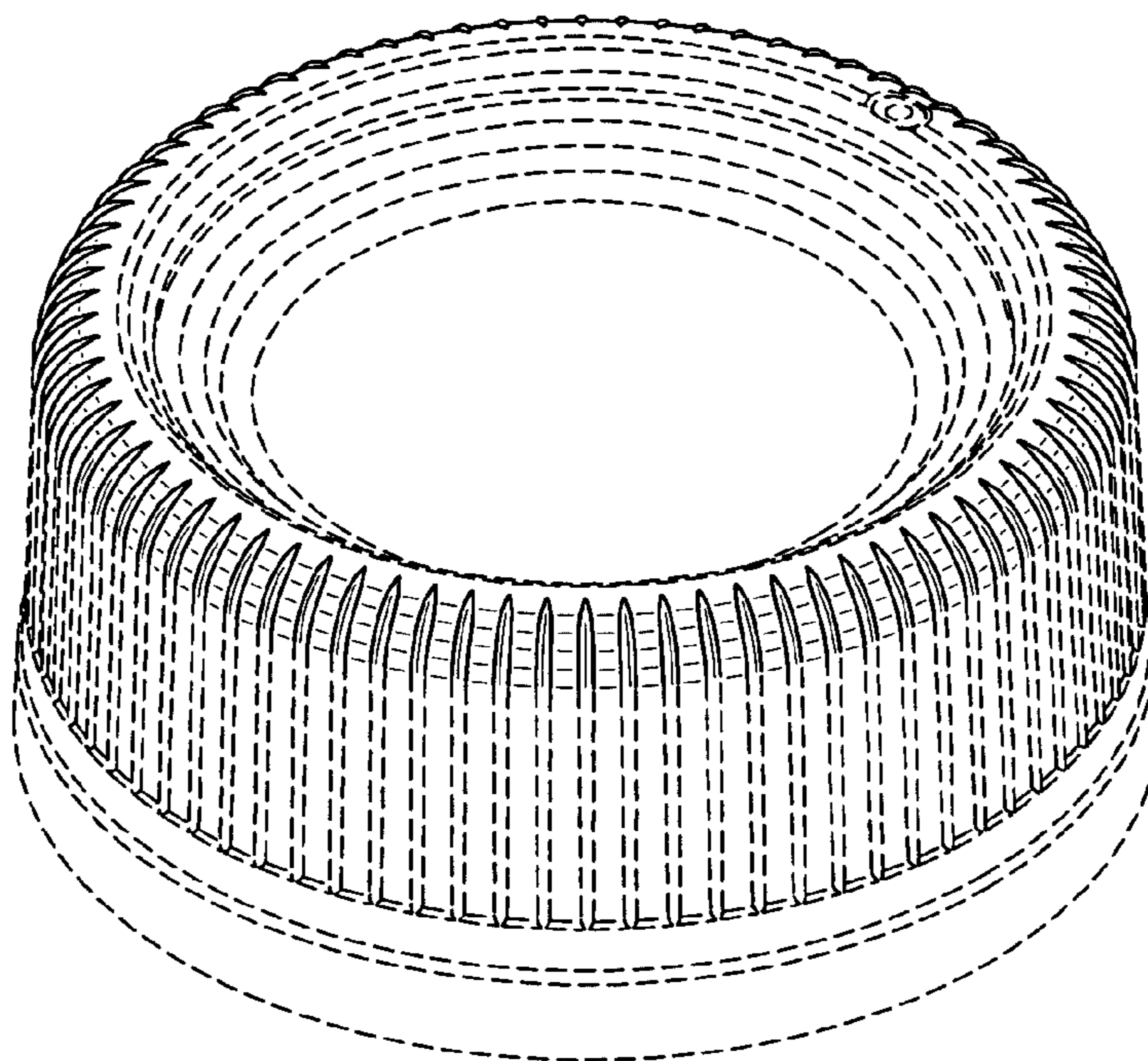
FIG. 5 is a second side elevational view;

FIG. 6 is a front elevational view; and,

FIG. 7 is a rear elevational view.

Any broken lines in the drawings depict probable environment only and form no part of the claimed design.

1 Claim, 4 Drawing Sheets



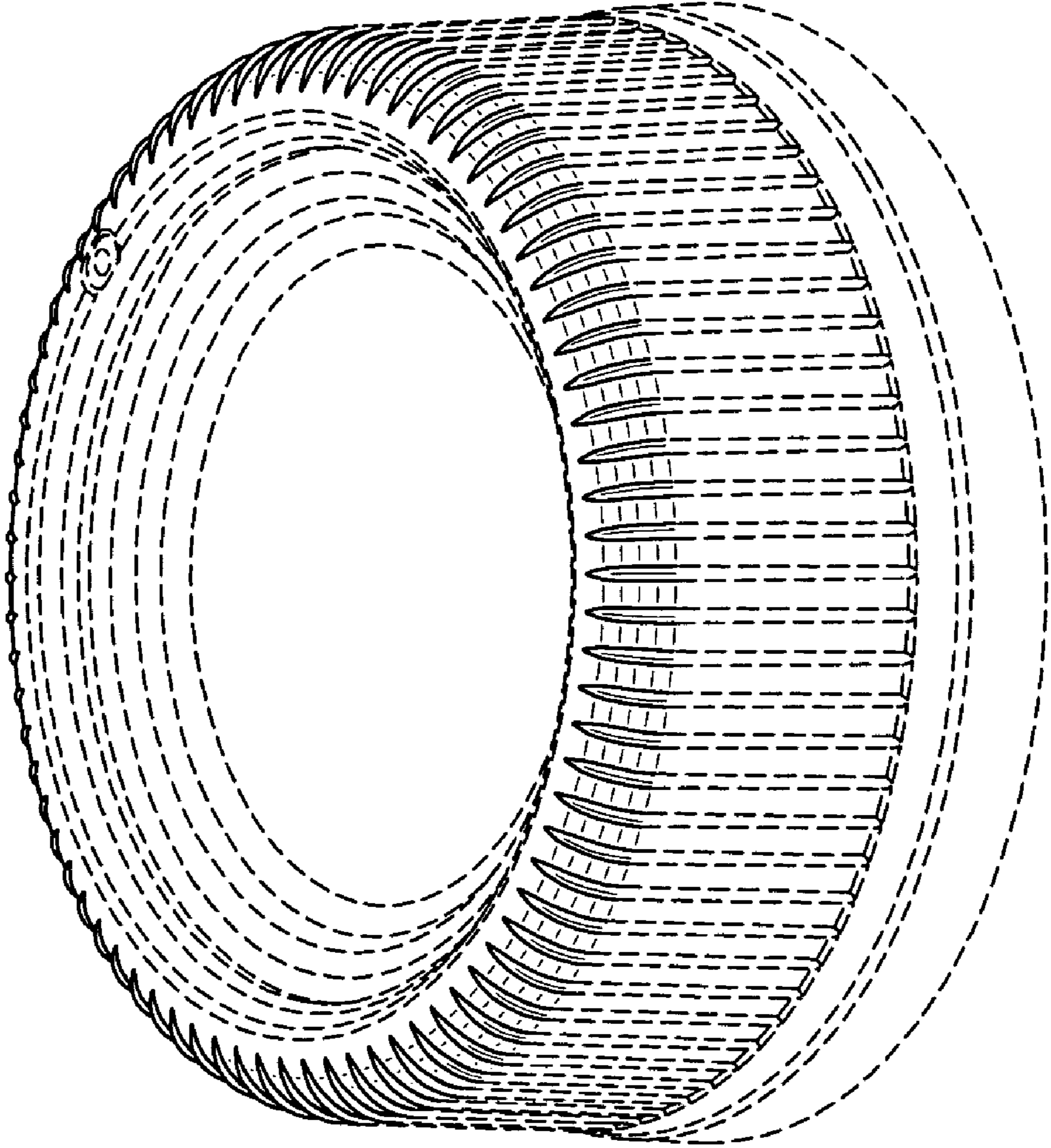


FIG. 1

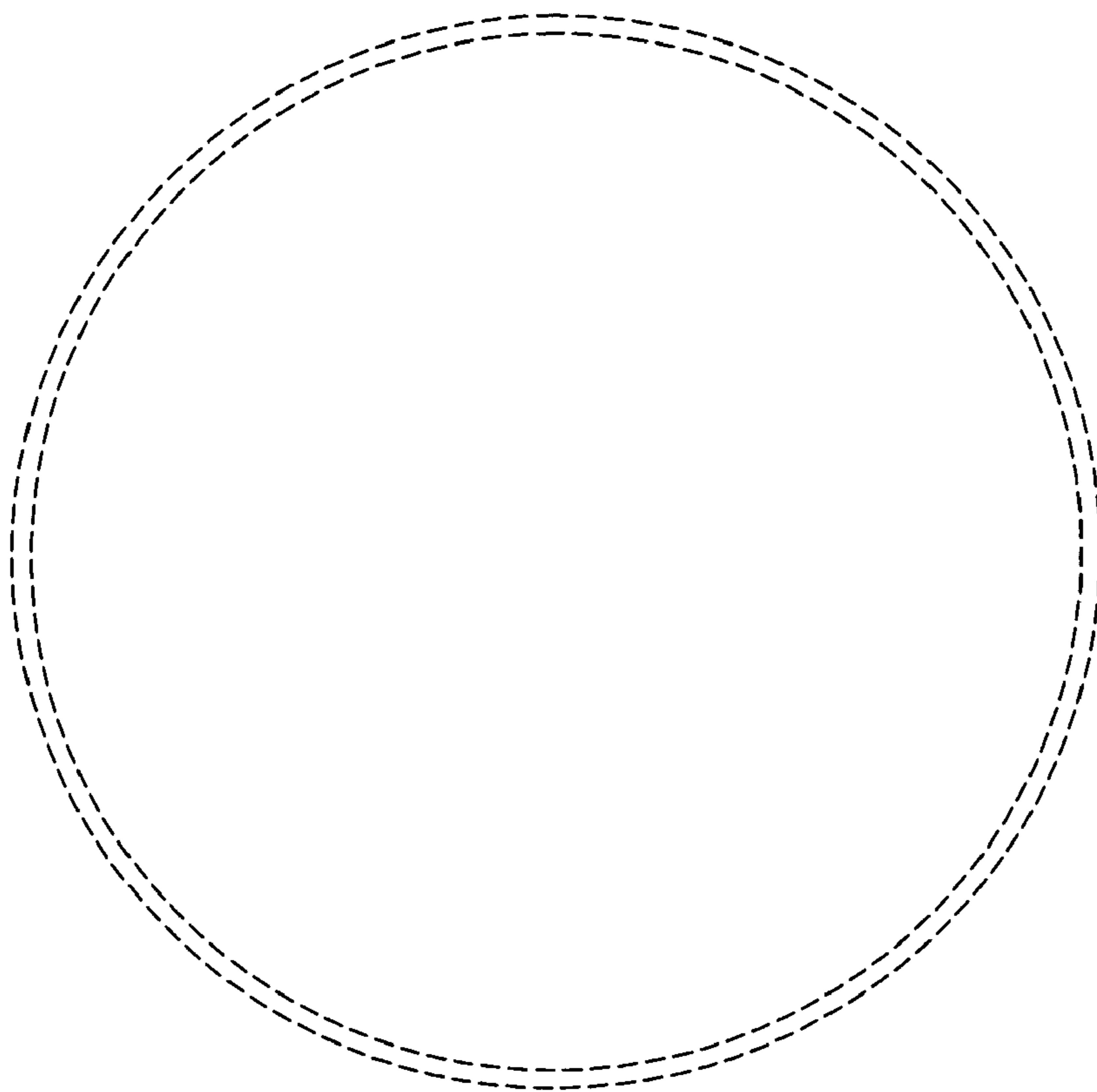


FIG. 3

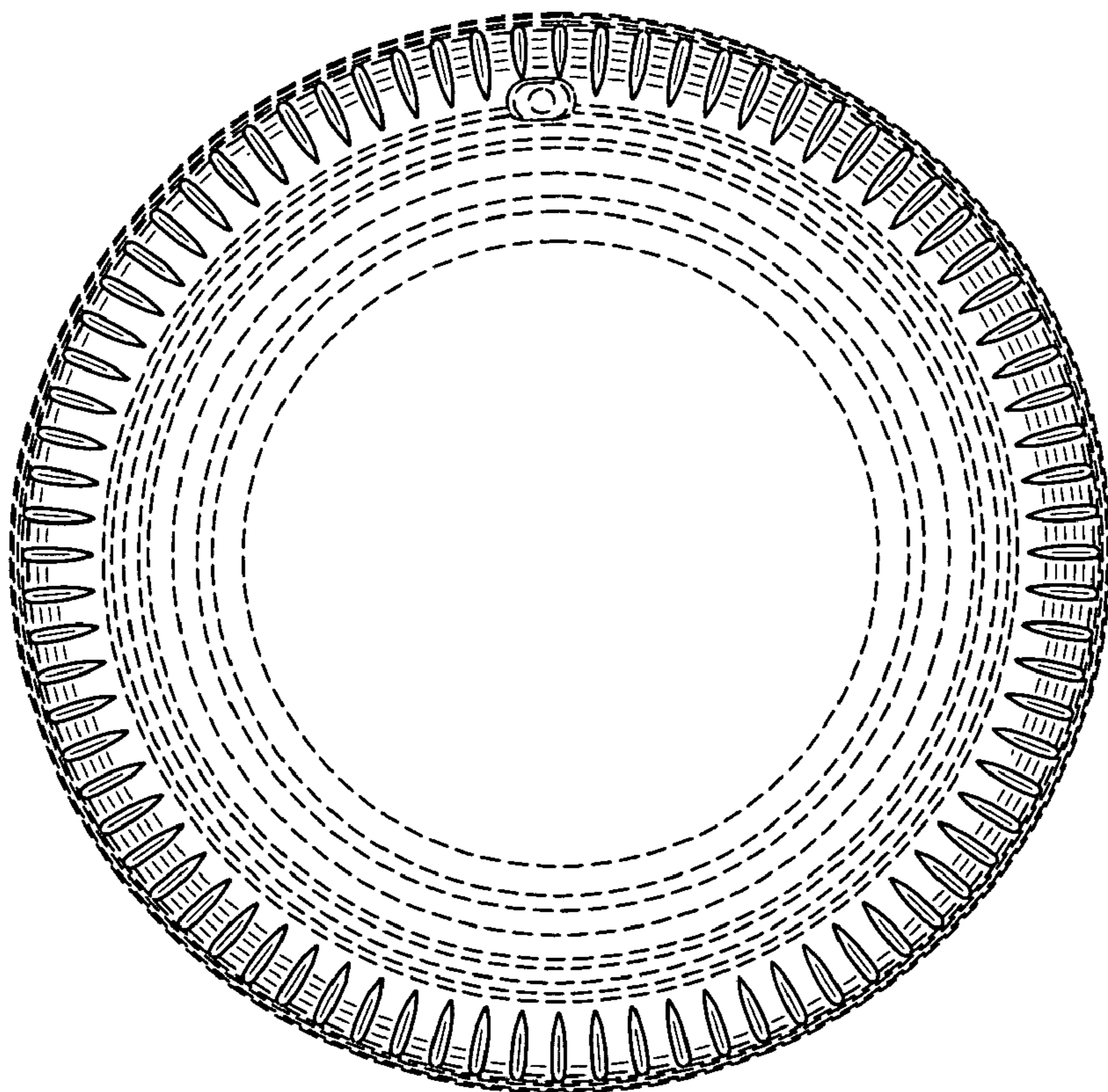


FIG. 2

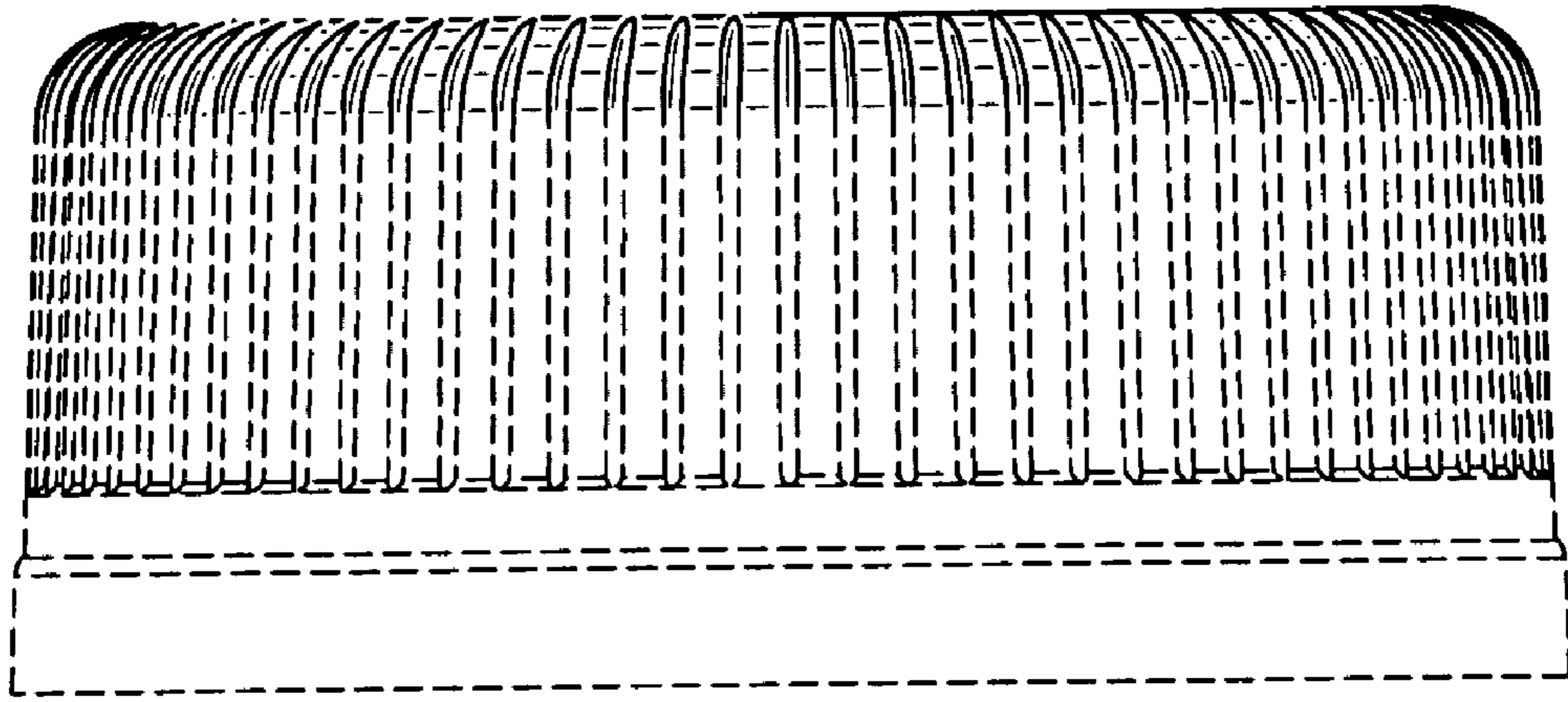


FIG. 4

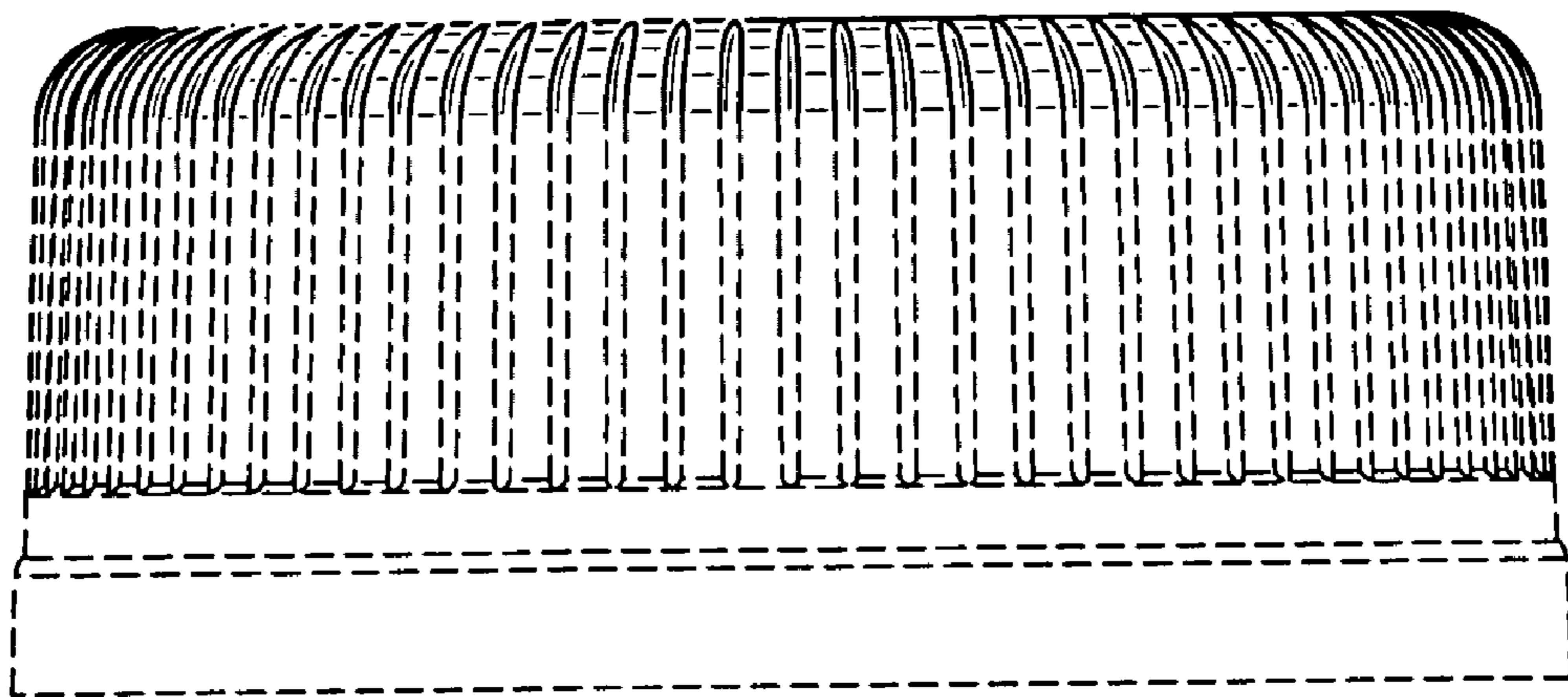


FIG. 5

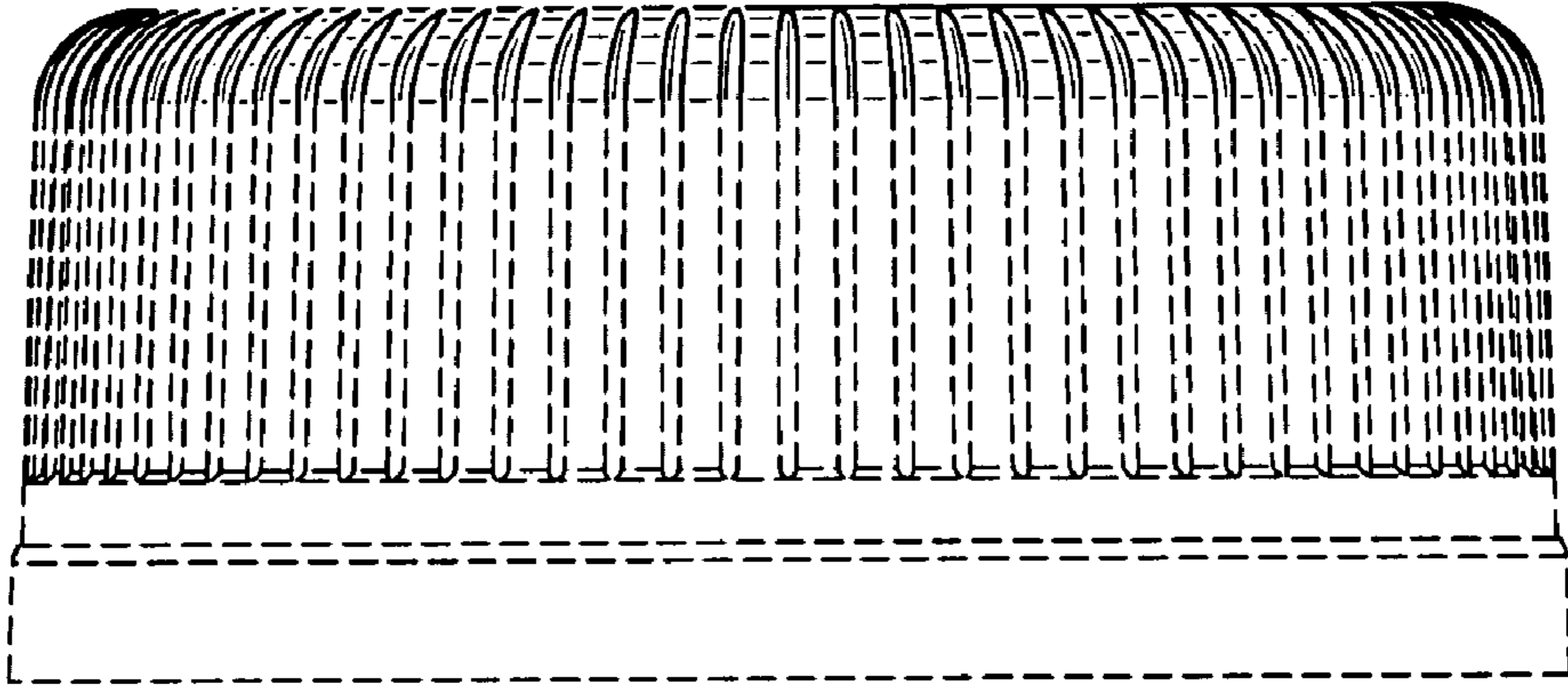


FIG. 6

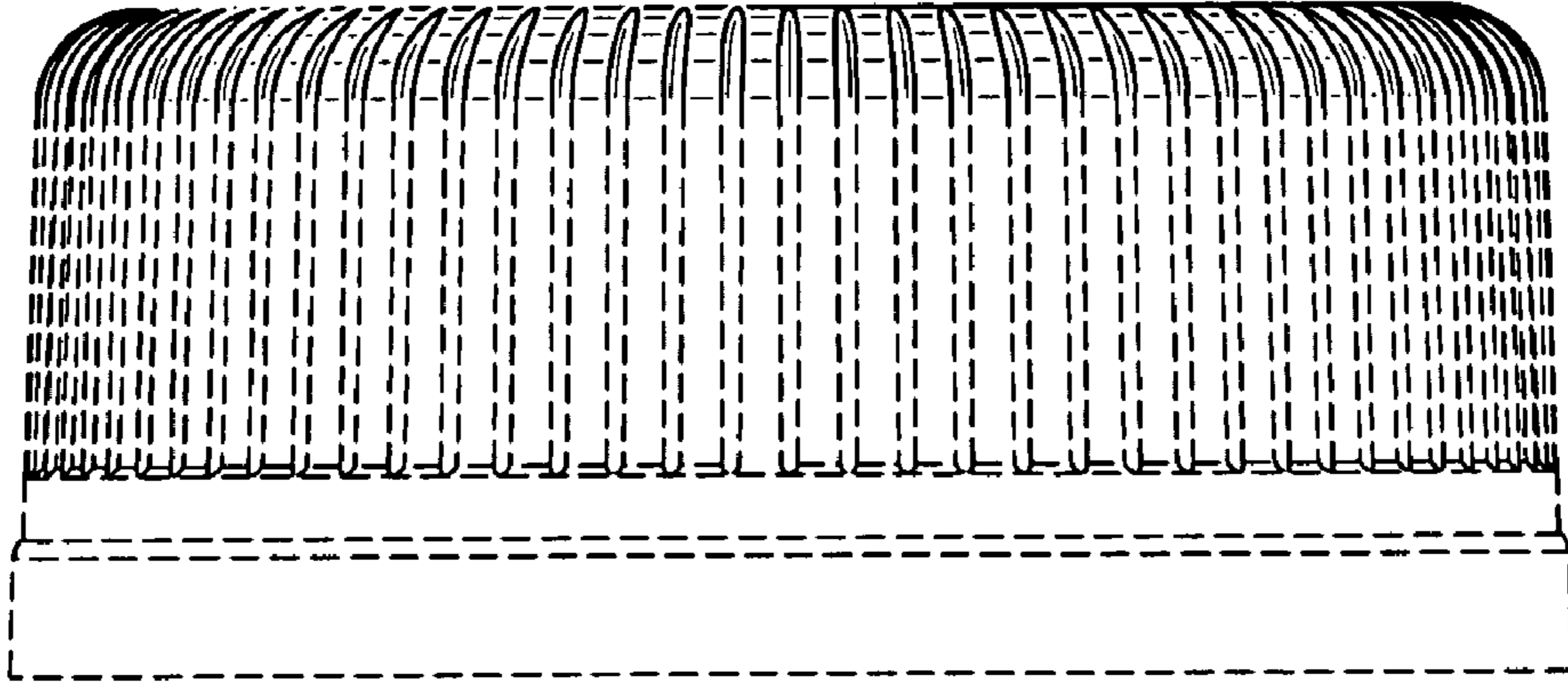


FIG. 7