



US00D587114S

(12) **United States Design Patent**
Nielsen

(10) **Patent No.:** **US D587,114 S**

(45) **Date of Patent:** **** Feb. 24, 2009**

(54) **DISPENSER**

(75) Inventor: **Keld Krogh Nielsen**, Graasten (DK)

(73) Assignee: **Logidos Aps**, Aabenraa (DK)

(**) Term: **14 Years**

(21) Appl. No.: **29/297,189**

(22) Filed: **Nov. 6, 2007**

(30) **Foreign Application Priority Data**

May 9, 2007 (EM) 000720073-0001

(51) **LOC (9) Cl.** **09-07**

(52) **U.S. Cl.** **D9/447**

(58) **Field of Classification Search** D9/733,
D9/726, 529, 501, 503, 454, 450, 449, 447,
D9/440, 435; D28/7; D24/224; 222/566,
222/562, 255, 254.1; 220/288, 259.3, 257.1,
220/256.1, 254.1, 212; 215/252

See application file for complete search history.

(56) **References Cited**

U.S. PATENT DOCUMENTS

D363,665 S * 10/1995 Goto et al. D9/434
D546,180 S * 7/2007 Jowett et al. D9/447

* cited by examiner

Primary Examiner—Susan B Hattan

(74) *Attorney, Agent, or Firm*—McCormick, Paulding & Huber LLP

(57) **CLAIM**

The ornamental design for a dispenser, as shown and described.

DESCRIPTION

FIG. 1 is a top view of the dispenser comprising a new, original and ornamental design;

FIG. 2 is a rear view of the dispenser comprising the new, original and ornamental design;

FIG. 3 is a bottom view of the dispenser comprising the new, original and ornamental design;

FIG. 4 is front view of the dispenser comprising the new, original and ornamental design;

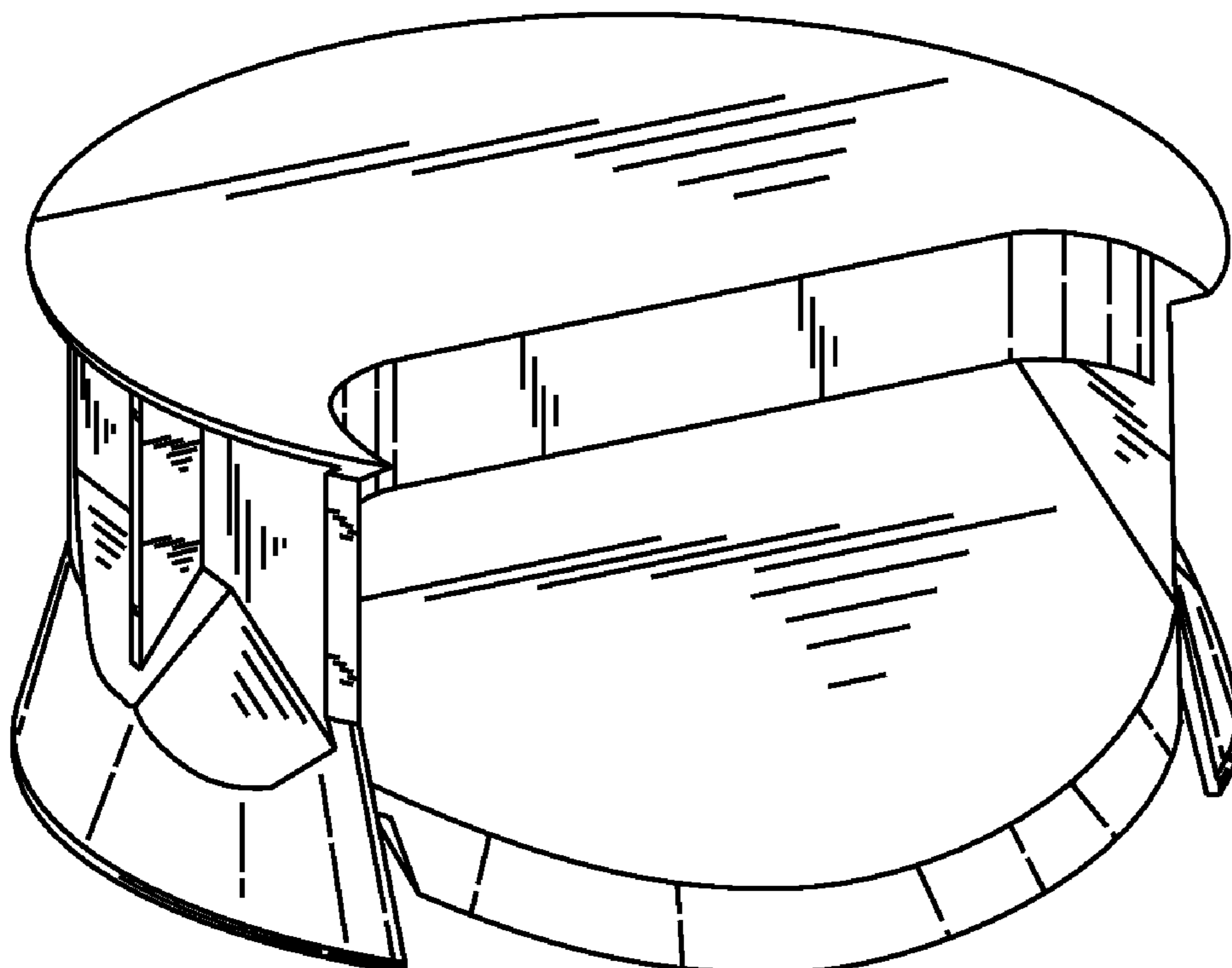
FIG. 5 is a bottom, rear perspective view of the dispenser comprising the new, original and ornamental design;

FIG. 6 is a top, front perspective view of the dispenser comprising the new, original and ornamental design;

FIG. 7 is a right-hand side view of the dispenser comprising the new, original and ornamental design; and,

FIG. 8 is a left-hand side view of the dispenser the new, original and ornamental design.

1 Claim, 4 Drawing Sheets



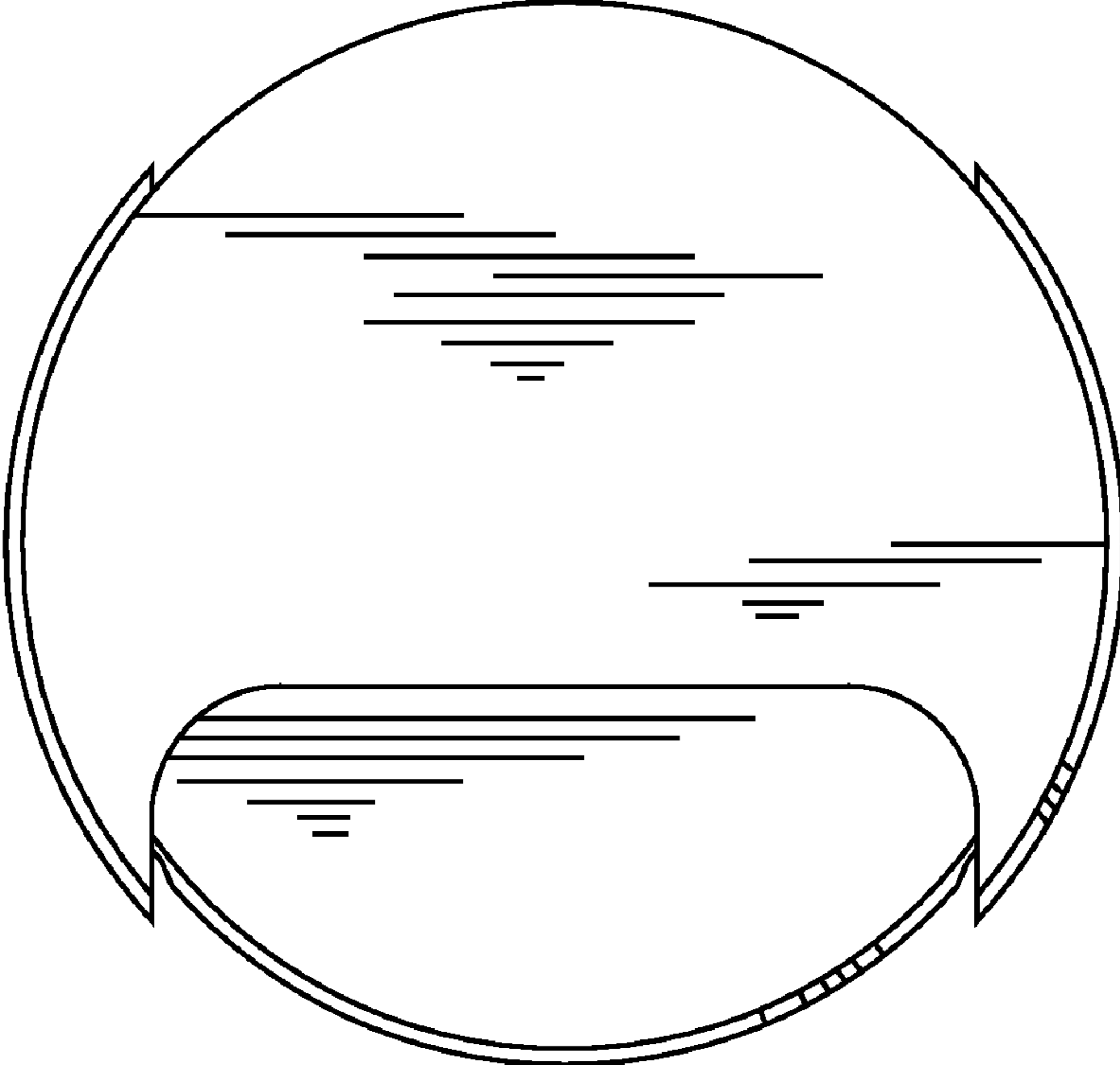


FIG. 1

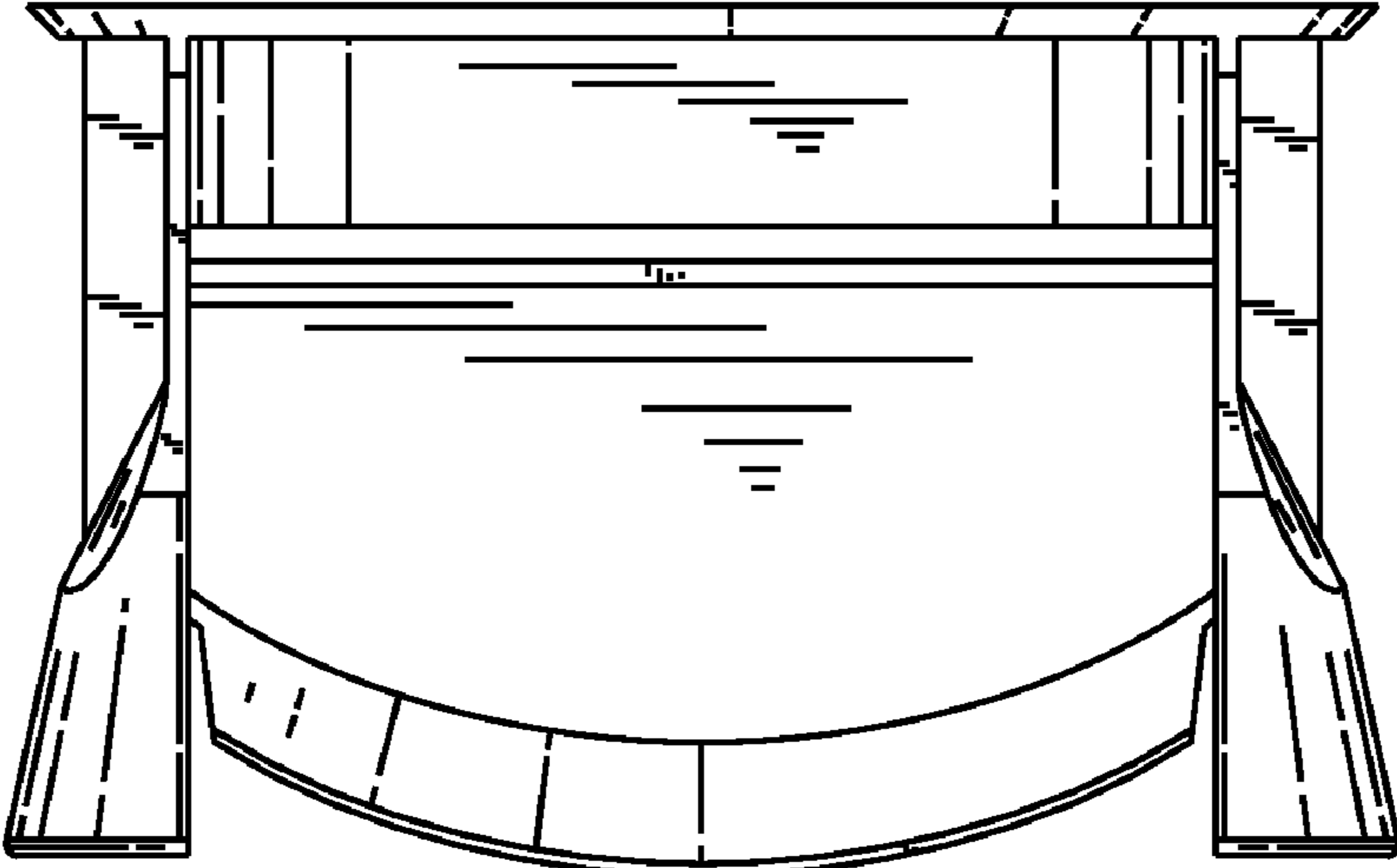


FIG. 2

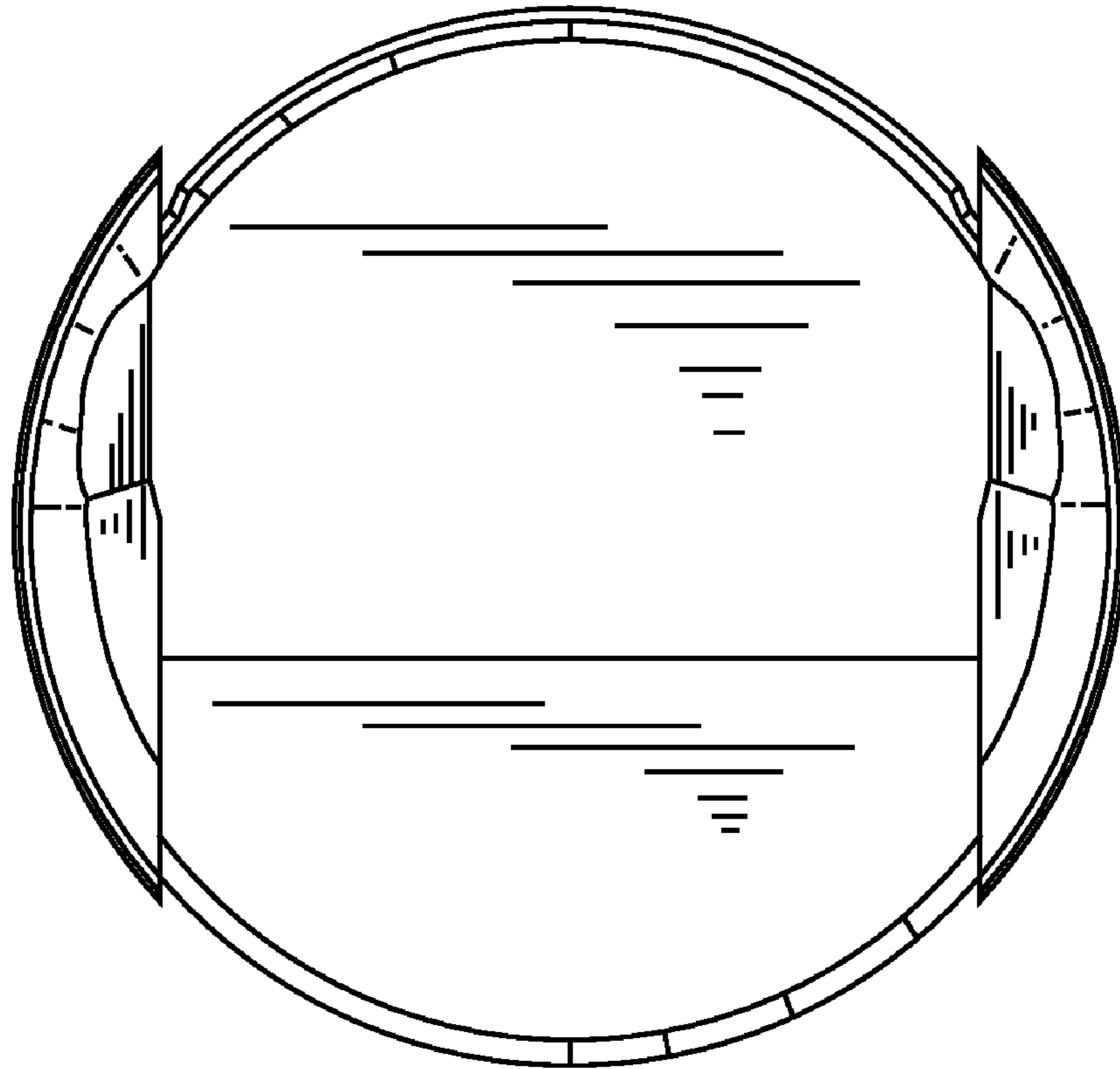


FIG. 3

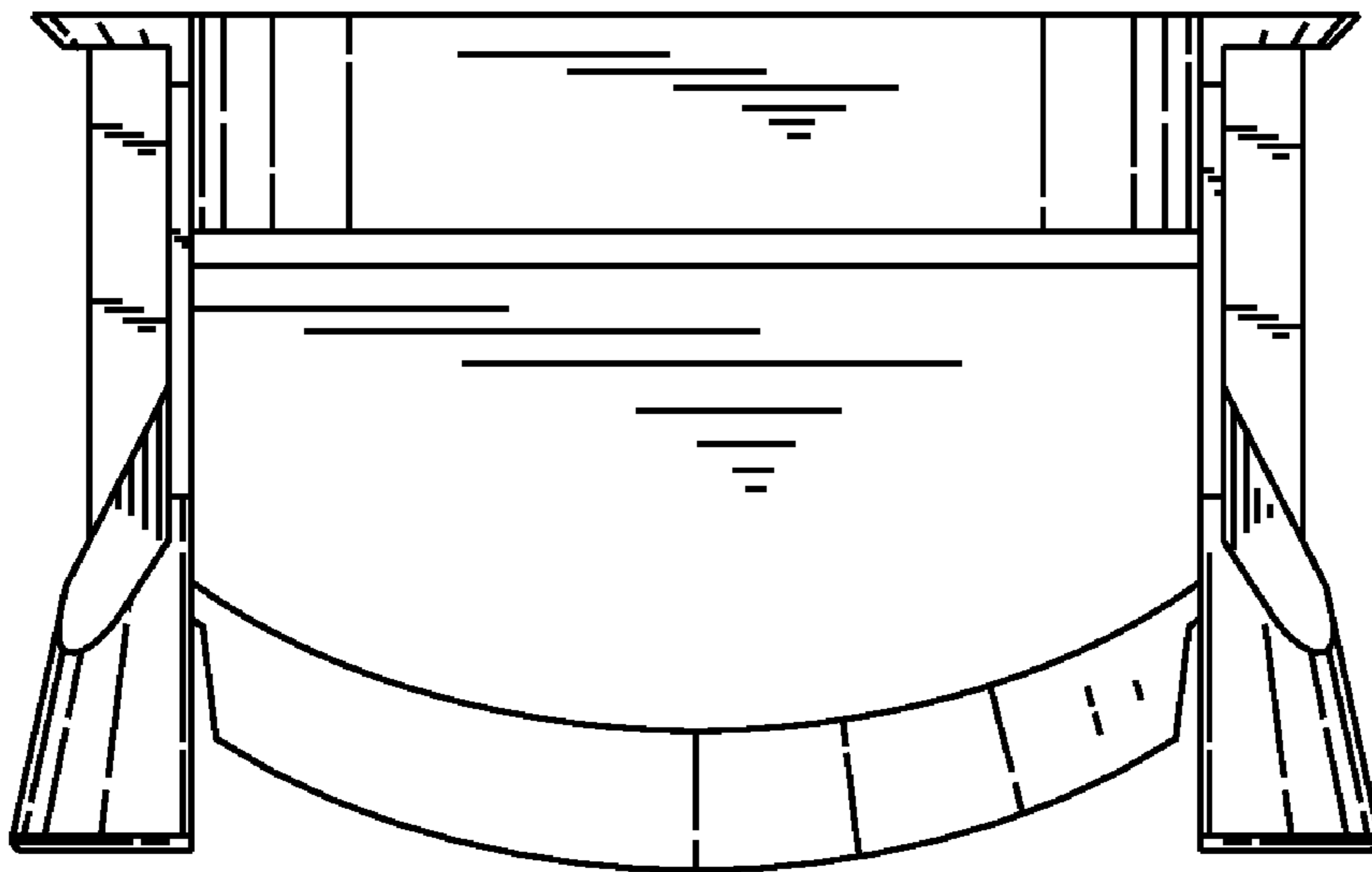


FIG. 4

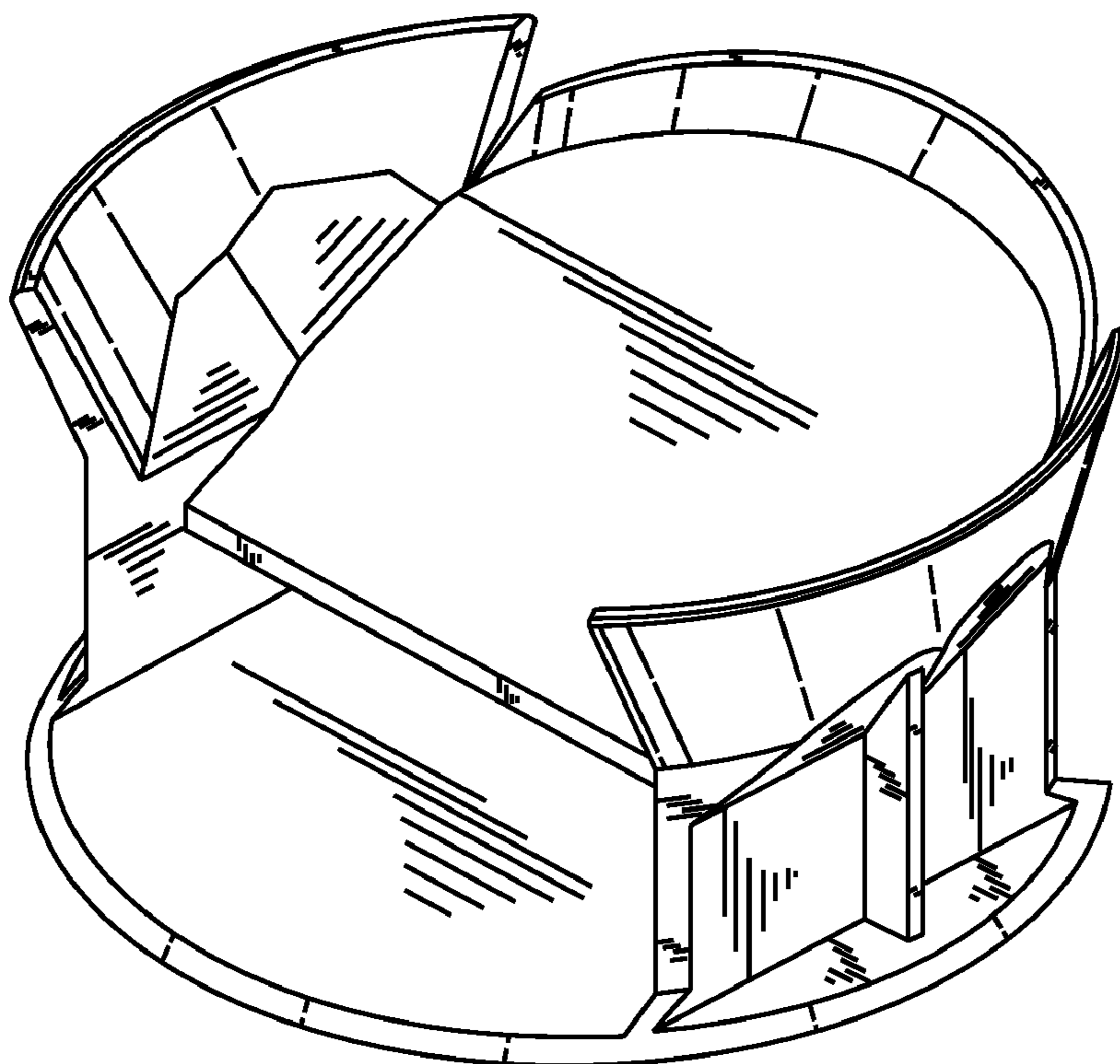


FIG. 5

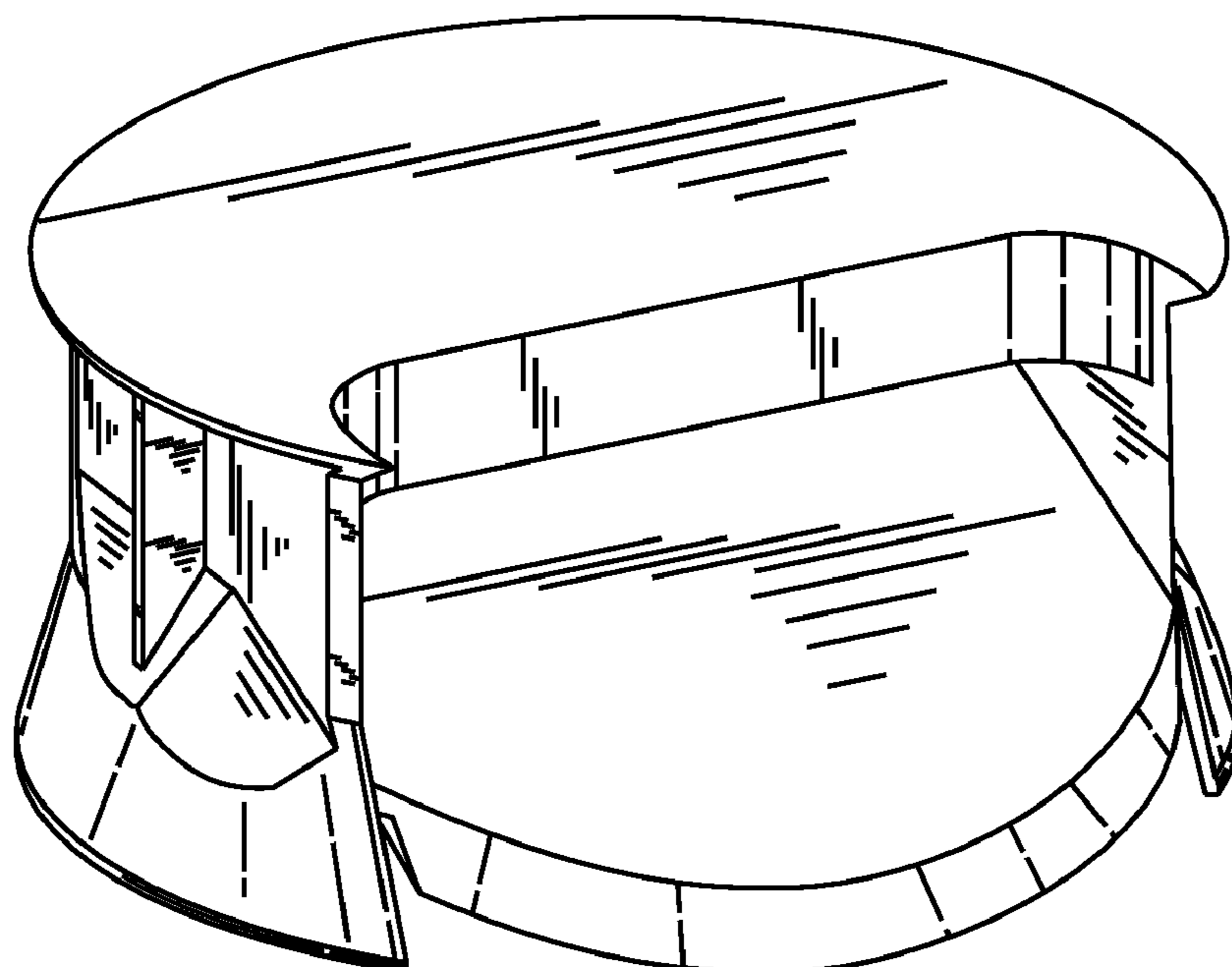


FIG. 6

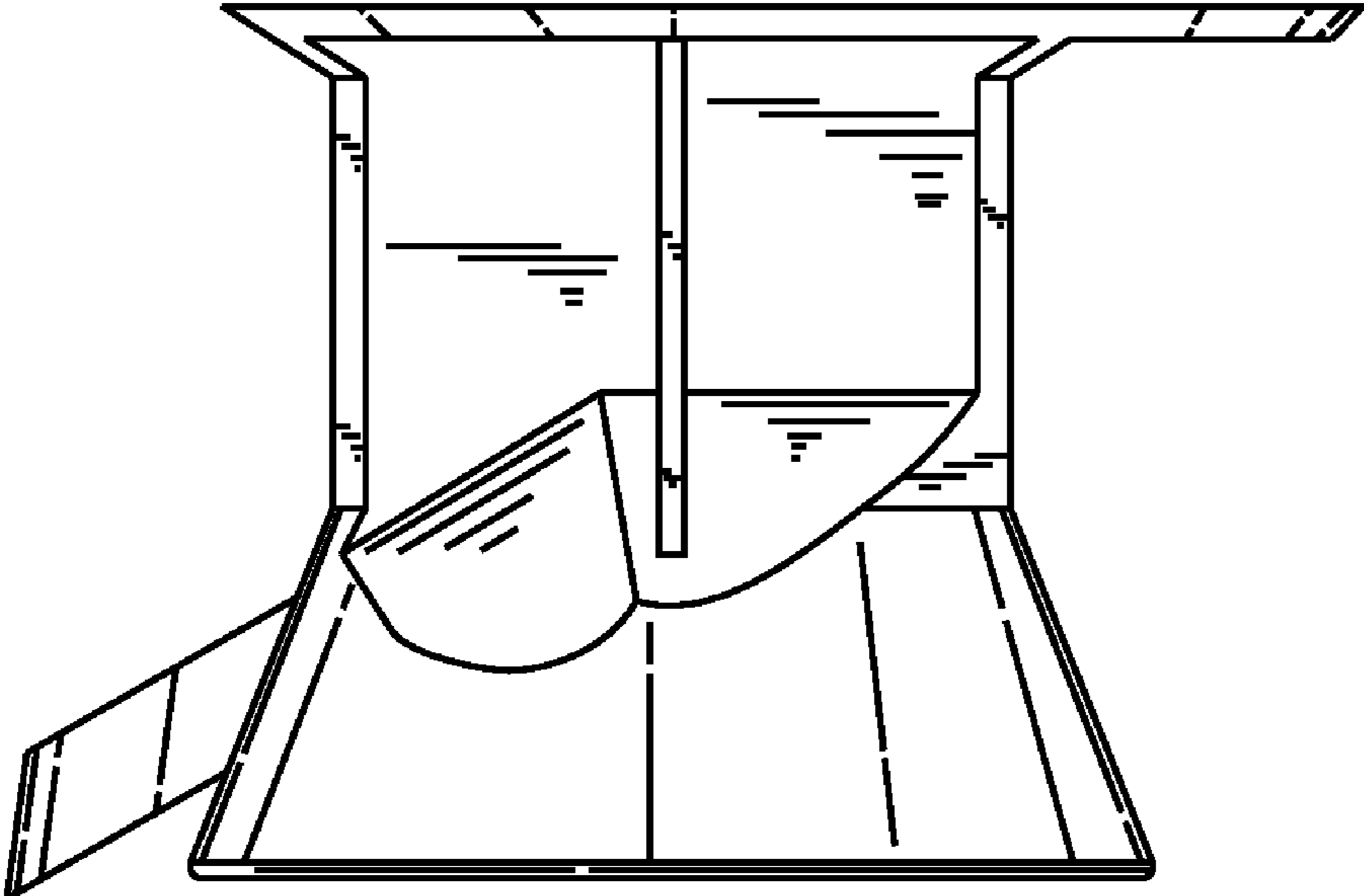


FIG. 7

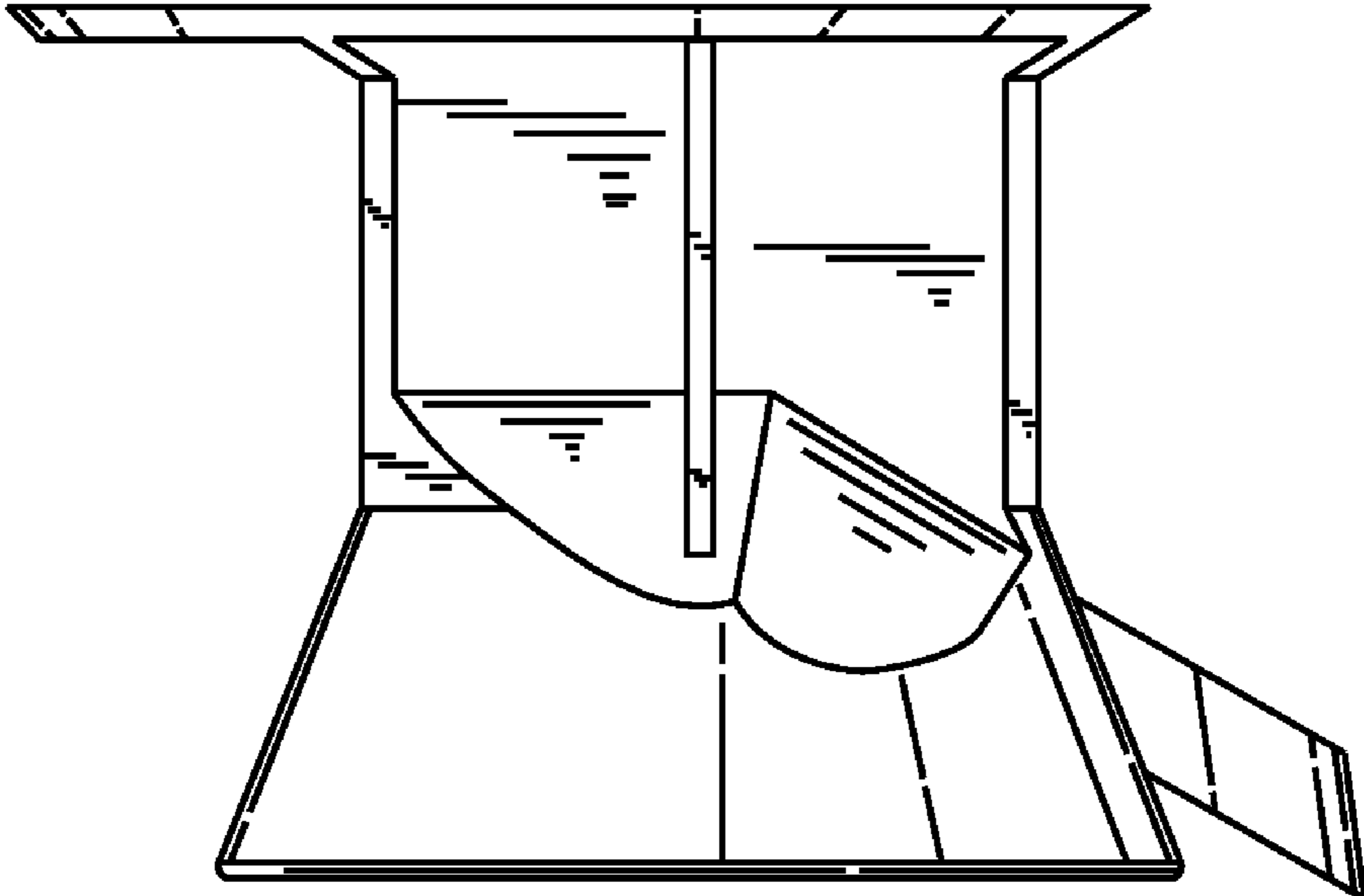


FIG. 8