



US00D587112S

(12) **United States Design Patent**
Magnusson

(10) **Patent No.:** **US D587,112 S**

(45) **Date of Patent:** **** Feb. 24, 2009**

(54) **BOX BLANK**

(75) Inventor: **Birgir Magnusson**, Paipis (FI)

(73) Assignee: **Nokia Corporation**, Espoo (FI)

(**) Term: **14 Years**

(21) Appl. No.: **29/299,398**

(22) Filed: **Dec. 26, 2007**

(30) **Foreign Application Priority Data**

Jun. 25, 2007 (FI) M20070127

(51) **LOC (9) Cl.** **09-03**

(52) **U.S. Cl.** **D9/433**

(58) **Field of Classification Search** D9/430-433,
D9/414, 417, 420-423, 759; 206/45.21,
206/45.29, 476, 525.1, 526, 750, 763, 774,
206/784; 229/100, 101, 103.3, 117, 117.01,
229/117.03-117.08, 120.02, 120.08, 120.13-120.18,
229/120.31, 120.37, 125.09, 125.15, 125.29,
229/126, 138, 155, 170, 221, 222, 247, 902,
229/904, 917, 933-937, 942

See application file for complete search history.

(56) **References Cited**

U.S. PATENT DOCUMENTS

2,089,067 A * 8/1937 Myers 229/120.08
2,673,679 A * 3/1954 La Bombard 229/117.04
3,028,951 A * 4/1962 Okada 206/763
3,469,765 A * 9/1969 Mueller 229/159
4,042,110 A * 8/1977 Guernsey 206/459.1

4,328,922 A * 5/1982 Hirata 229/120.15
4,489,878 A * 12/1984 Mode 229/117
5,117,973 A * 6/1992 Lo Duca 206/45.29
D336,428 S * 6/1993 Buratto D9/432
5,275,331 A * 1/1994 Chung-Piao 229/117.15
D353,538 S * 12/1994 Jobit D9/432
D436,313 S * 1/2001 Joshua et al. D9/432
D439,157 S * 3/2001 Tsuruishi et al. D9/759
D447,687 S * 9/2001 Roby D9/422
D461,125 S * 8/2002 Decello et al. D9/432
6,971,524 B1 * 12/2005 Voswinkel 206/762
D552,987 S * 10/2007 Magnusson D9/432
2005/0061861 A1 * 3/2005 Pennino 229/120.13
2006/0022023 A1 * 2/2006 Kuentler et al. 229/120.13

FOREIGN PATENT DOCUMENTS

FI 000552385-0001 * 6/2006
GB 2272684 A * 5/1994

* cited by examiner

Primary Examiner—T. Chase Nelson

Assistant Examiner—Karen Acker

(74) *Attorney, Agent, or Firm*—Banner & Witcoff, Ltd.

(57) **CLAIM**

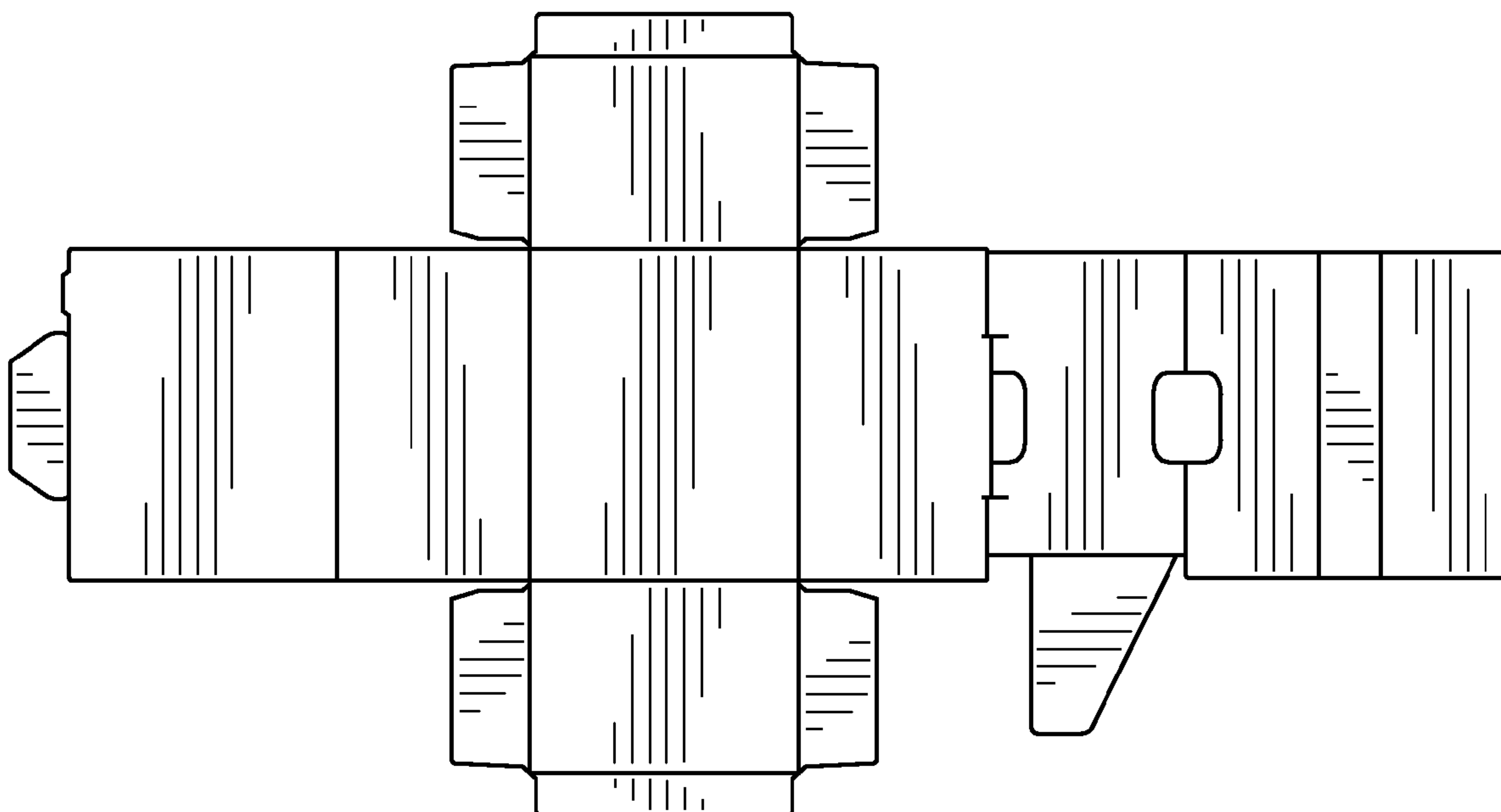
The ornamental design for a box blank, as shown and described.

DESCRIPTION

FIG. 1 is a top plan view of a box blank in flat form showing my new design; and,

FIG. 2 is a bottom plan view thereof.

1 Claim, 2 Drawing Sheets



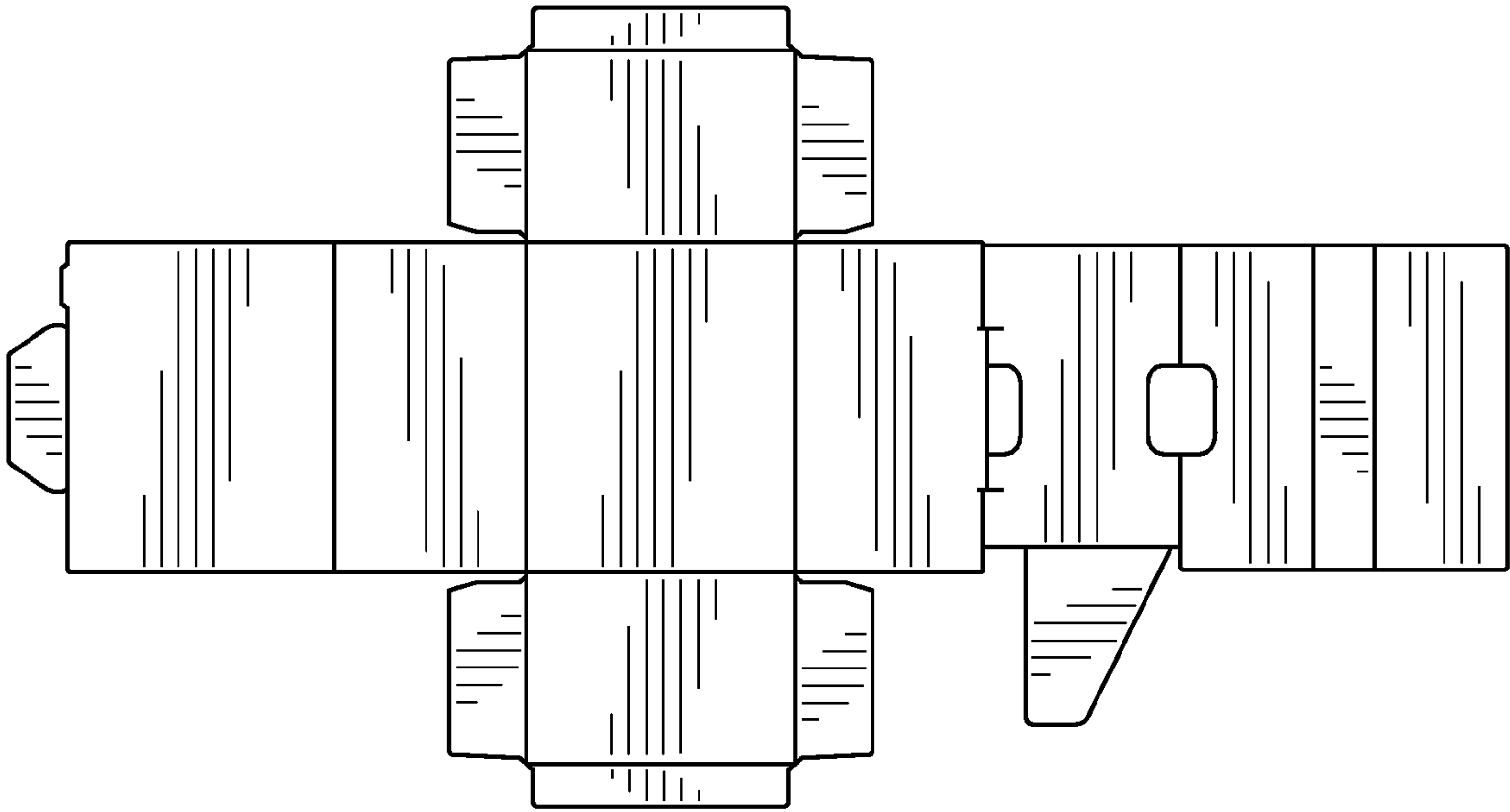


FIG. 1

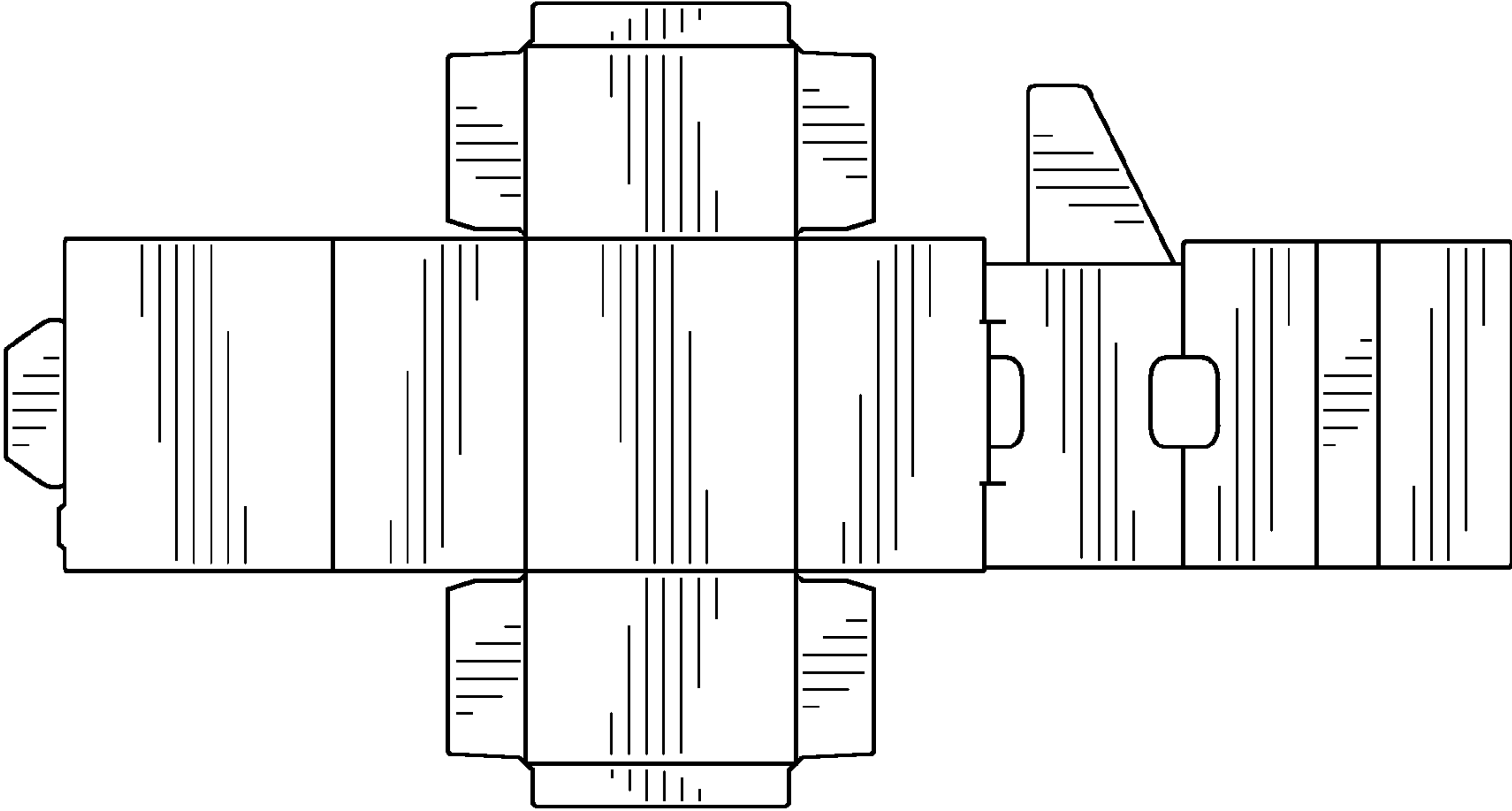


FIG. 2