



US00D587110S

(12) **United States Design Patent**
Kronshage et al.

(10) **Patent No.:** **US D587,110 S**
(45) **Date of Patent:** **** Feb. 24, 2009**

(54) **COMBINED TRAY AND SHIPPING CONTAINER**

(75) Inventors: **Christian Kronshage**, Round Lake, IL (US); **Timothy Patno**, Barrington, IL (US); **William Cork**, Lake Bluff, IL (US); **Scott A. Campbell**, Algonquin, IL (US)

(73) Assignee: **Nanosphere, Inc.**, Northbrook, IL (US)

(**) Term: **14 Years**

(21) Appl. No.: **29/302,509**

(22) Filed: **Jan. 17, 2008**

(51) **LOC (9) Cl.** **09-03**

(52) **U.S. Cl.** **D9/425; D24/227**

(58) **Field of Classification Search** D9/414–415, D9/418, 423–429, 432, 435, 761; D7/354, D7/504, 553.6, 602, 629; D3/201, 203.1–203.3, D3/304, 307–314; 220/4.21–4.22, 23.8, 220/23.87, 532–533, 835; 206/386, 425, 206/508, 511, 518–521, 541, 555, 558, 564; 229/120, 125, 406; D24/223, 226–229; 426/106, 426/119, 129, 234; 219/734

See application file for complete search history.

(56) **References Cited**

U.S. PATENT DOCUMENTS

D195,903 S * 8/1963 Bogart D9/425
D197,584 S * 2/1964 Nascher et al. D9/425
3,244,311 A * 4/1966 Lawson 220/4.21

(Continued)

Primary Examiner—Robert M Spear

Assistant Examiner—Susan E Krakower

(74) *Attorney, Agent, or Firm*—Gregory T. Pletta

(57) **CLAIM**

The ornamental design for a combined tray and shipping container, as shown and described.

DESCRIPTION

FIG. 1 is a top and right front perspective view of a combined workflow management tray and shipping container showing our new design;

FIG. 2 is a top plan view thereof;

FIG. 3 is a front elevational view thereof, the rear elevational view being identical thereto;

FIG. 4 is a right side elevational view thereof, the left side elevational view being identical thereto;

FIG. 5 is a bottom plan view thereof;

FIG. 6 is a top and right front perspective view of the tray, shown separately for clarity of illustration;

FIG. 7 is a front elevational view of the tray portion thereof;

FIG. 8 is a rear elevational view of the tray portion thereof;

FIG. 9 is a right side elevational view of tray portion thereof, the left side elevational view being a mirror image;

FIG. 10 is a bottom plan view of the tray portion thereof;

FIG. 11 is a top and right front perspective view of the container, shown separately for clarity of illustration;

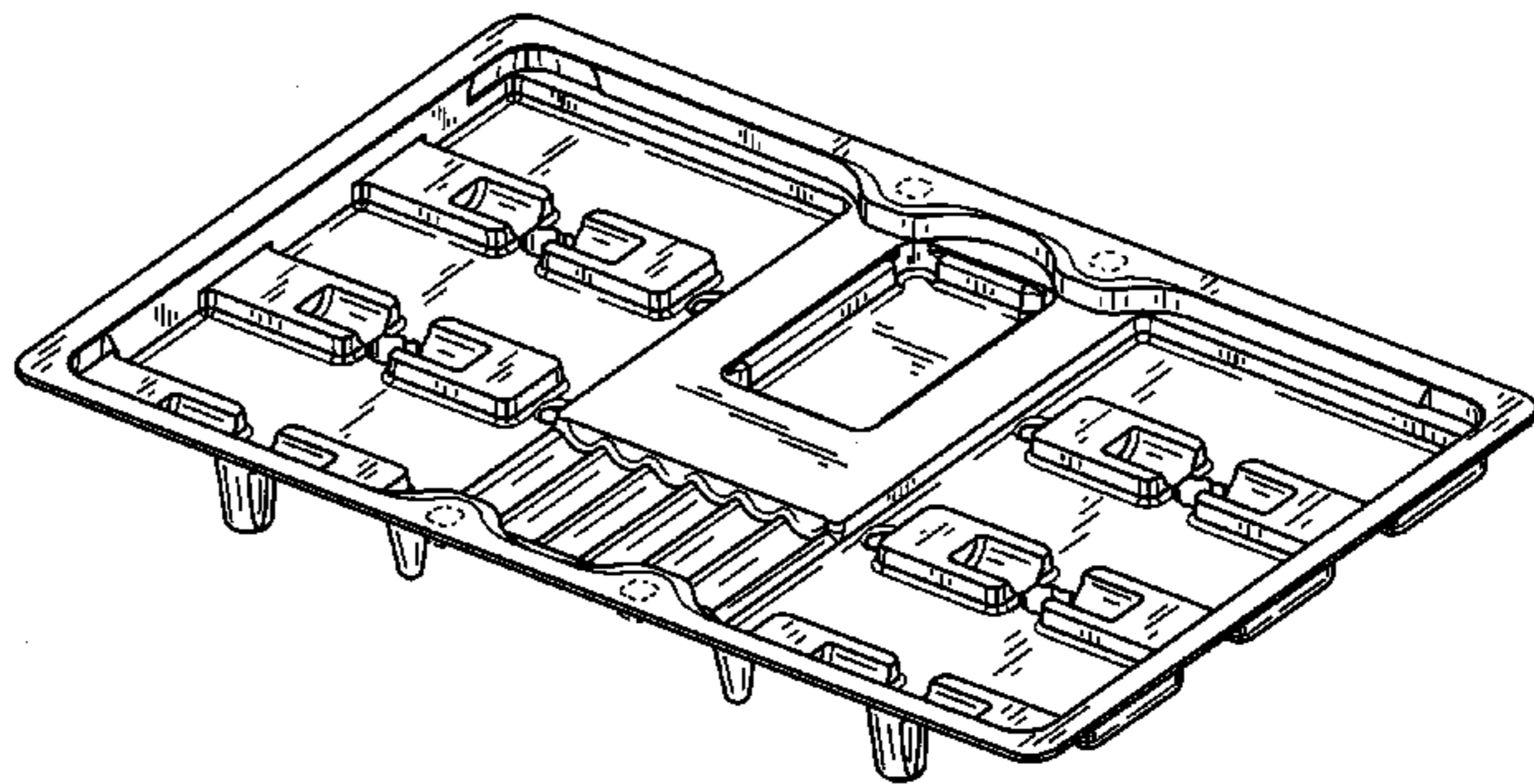
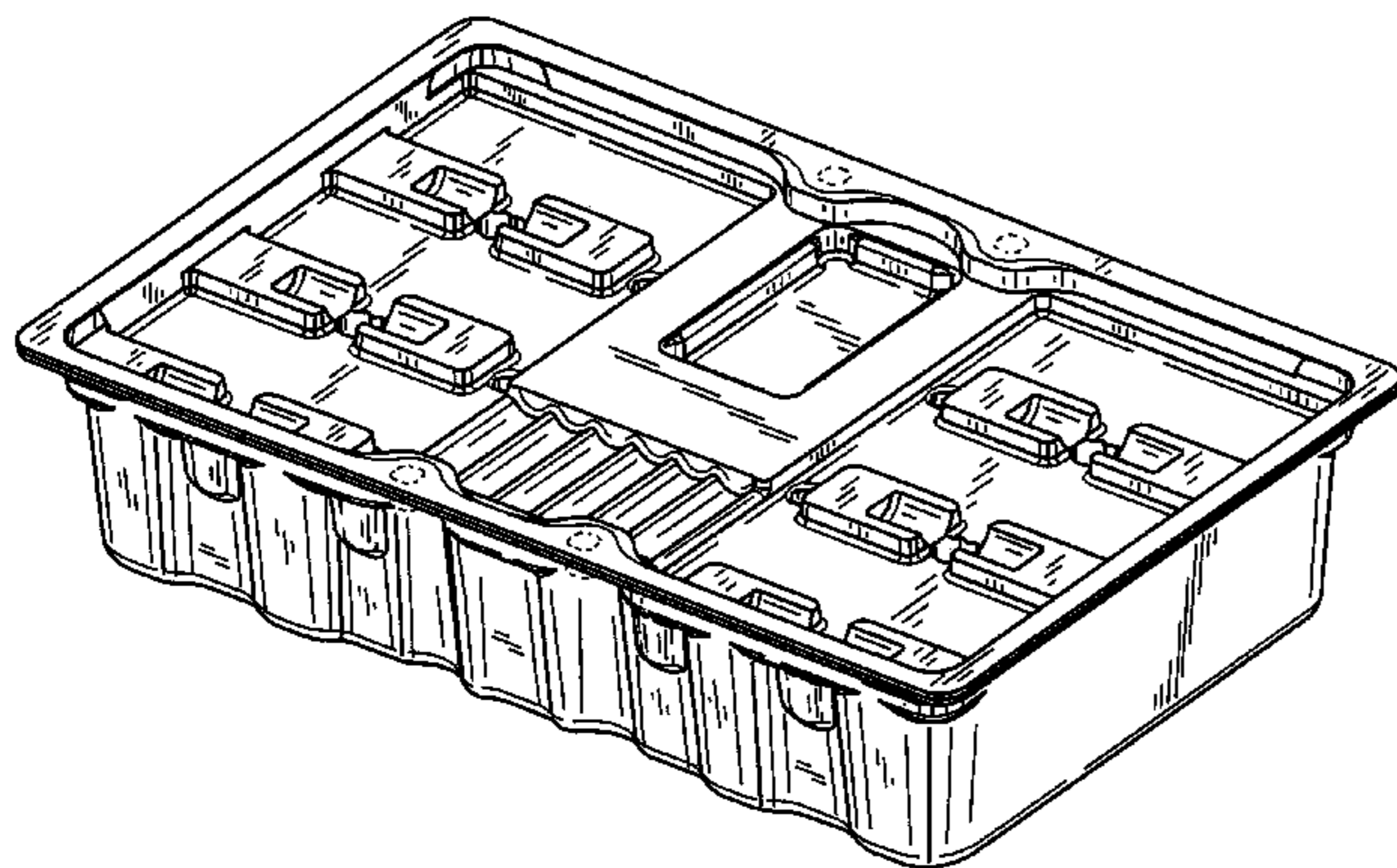
FIG. 12 is a top plan view of the container portion thereof;

FIG. 13 is a front elevational view of the container portion thereof, the rear elevational view being identical thereto; and,

FIG. 14 is a right side elevational view of the container portion thereof; the left side elevational view being identical.

The broken lines illustrate portions of the combined tray and shipping container and form no part of the claimed design.

1 Claim, 10 Drawing Sheets



US D587,110 S

Page 2

U.S. PATENT DOCUMENTS

3,480,197	A *	11/1969	Massey	229/120	D330,830	S *	11/1992	Baranyai et al.	D7/629
4,055,670	A *	10/1977	Belmont	426/119	D336,613	S *	6/1993	Zutler	D9/423
D246,466	S	11/1977	Attree et al.			D342,364	S	12/1993	Hobson		
D253,126	S *	10/1979	Baxter	D24/226	D378,941	S *	4/1997	Lahm et al.	D24/224
D275,886	S *	10/1984	Sheward et al.	D24/227	D407,827	S *	4/1999	Lahm et al.	D24/224
D280,663	S	9/1985	Albon et al.			D424,298	S *	5/2000	Laib	D7/602
D283,159	S	3/1986	Godsey			D451,278	S *	12/2001	Cooper	D3/294
D283,161	S	3/1986	Godsey			D471,640	S *	3/2003	McMichael et al.	D24/229
4,593,816	A *	6/1986	Langenbeck	206/425	D502,061	S *	2/2005	Dais et al.	D7/629
D288,606	S *	3/1987	Blatherwick et al.	D24/226	D546,632	S *	7/2007	Oberloier	D7/629
D303,149	S	8/1989	Andersen			D553,010	S *	10/2007	Cutts et al.	D9/761
						D563,166	S *	3/2008	Woolfolk et al.	D7/504

* cited by examiner

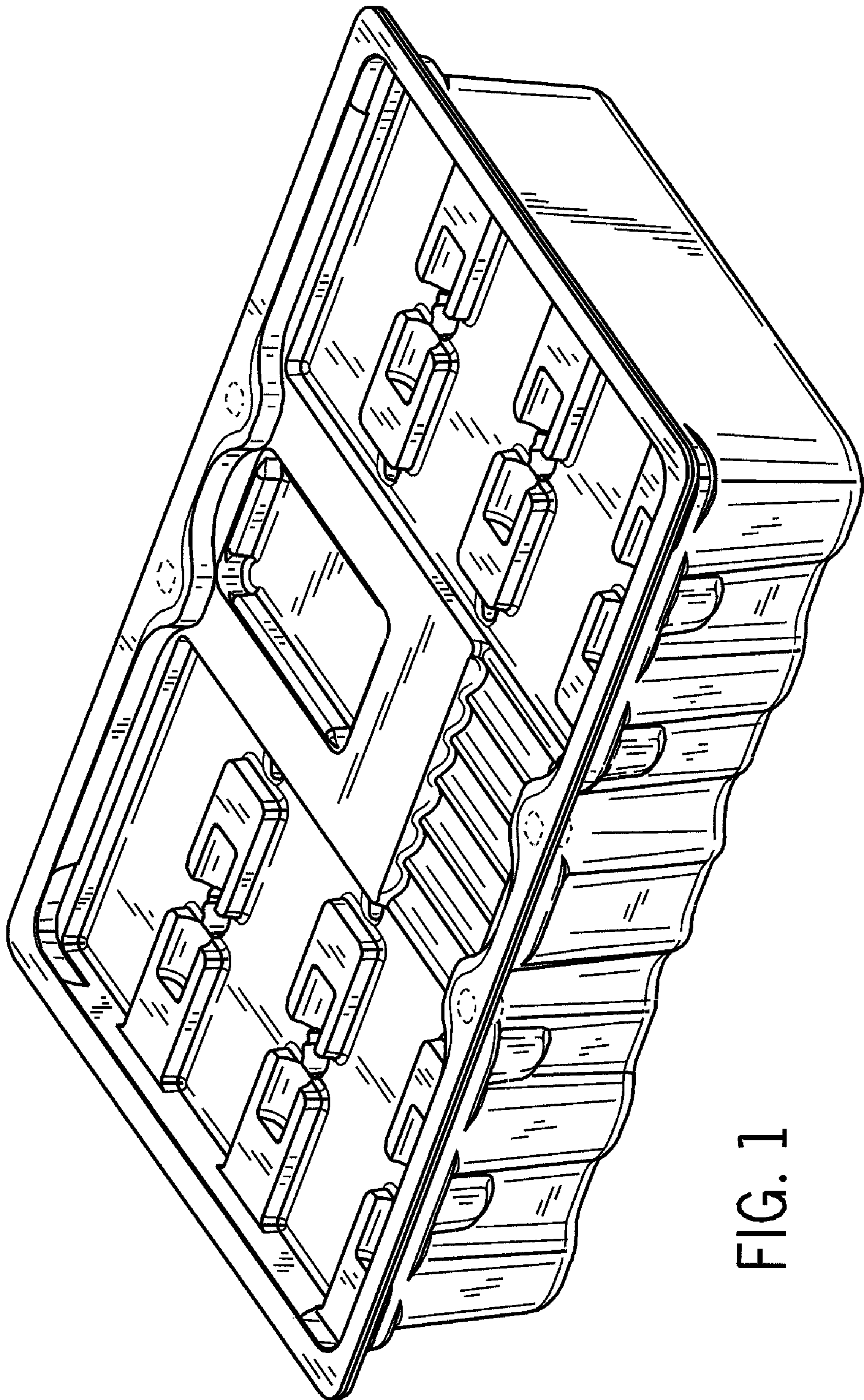


FIG. 1

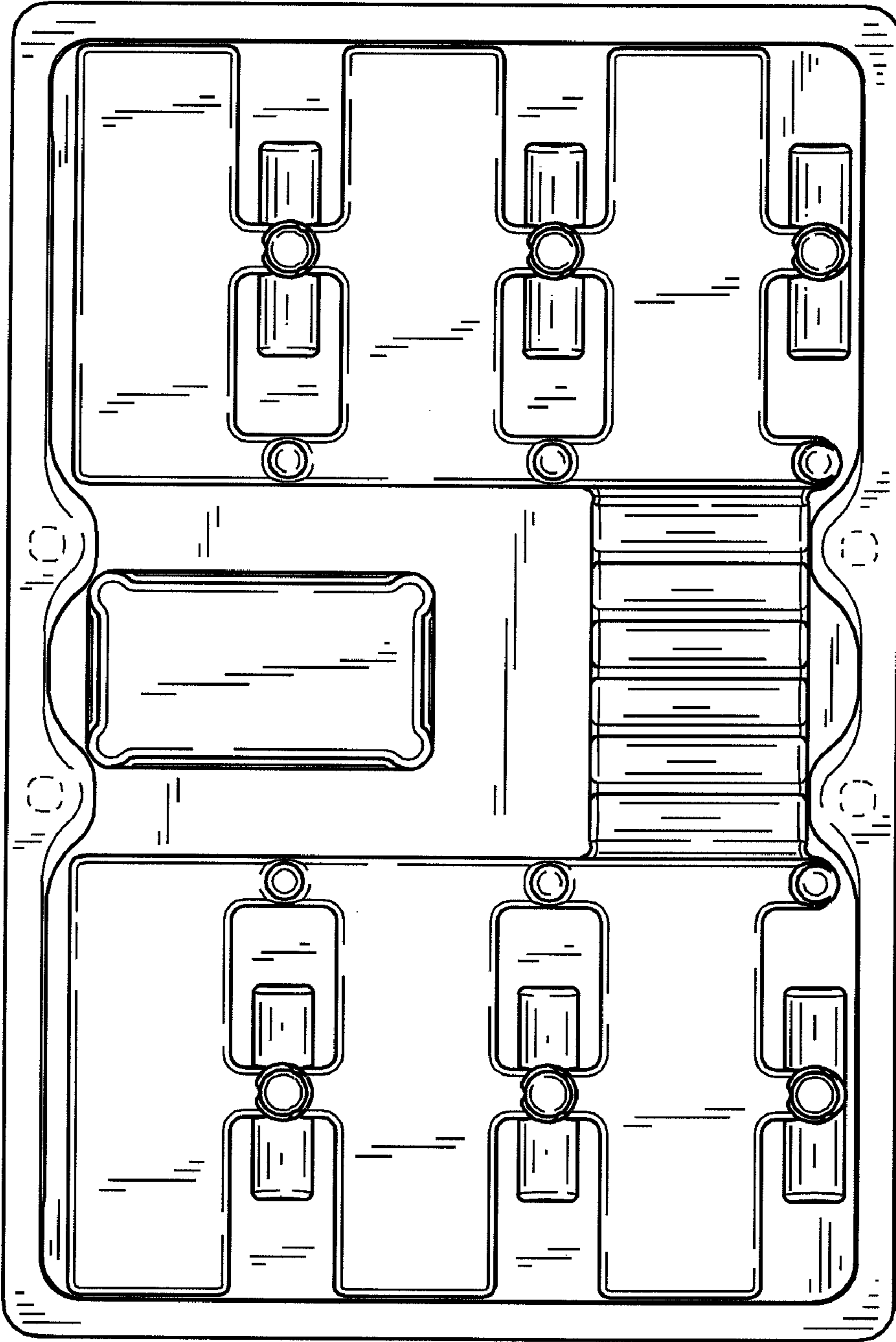


FIG. 2

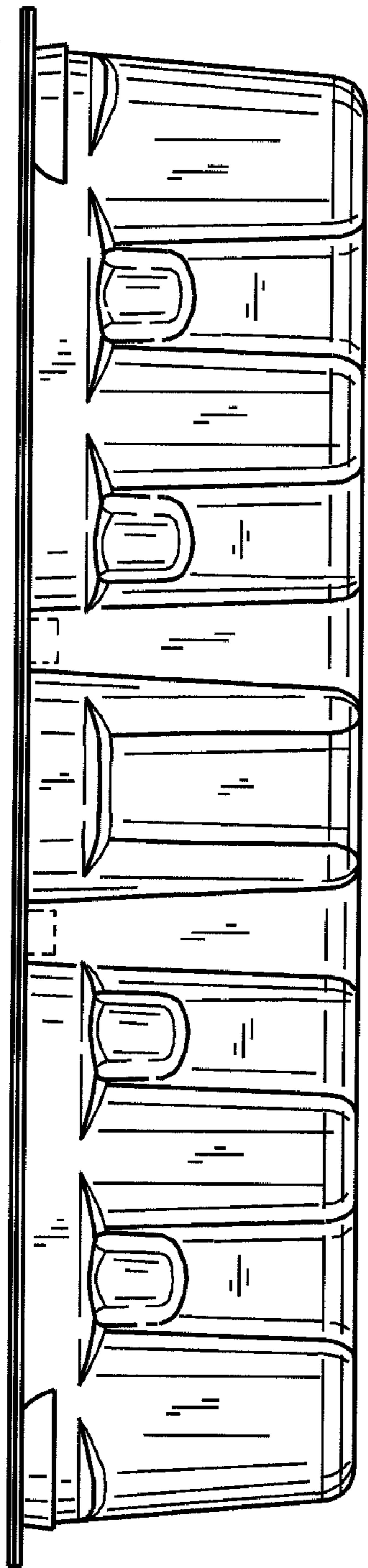


FIG. 3

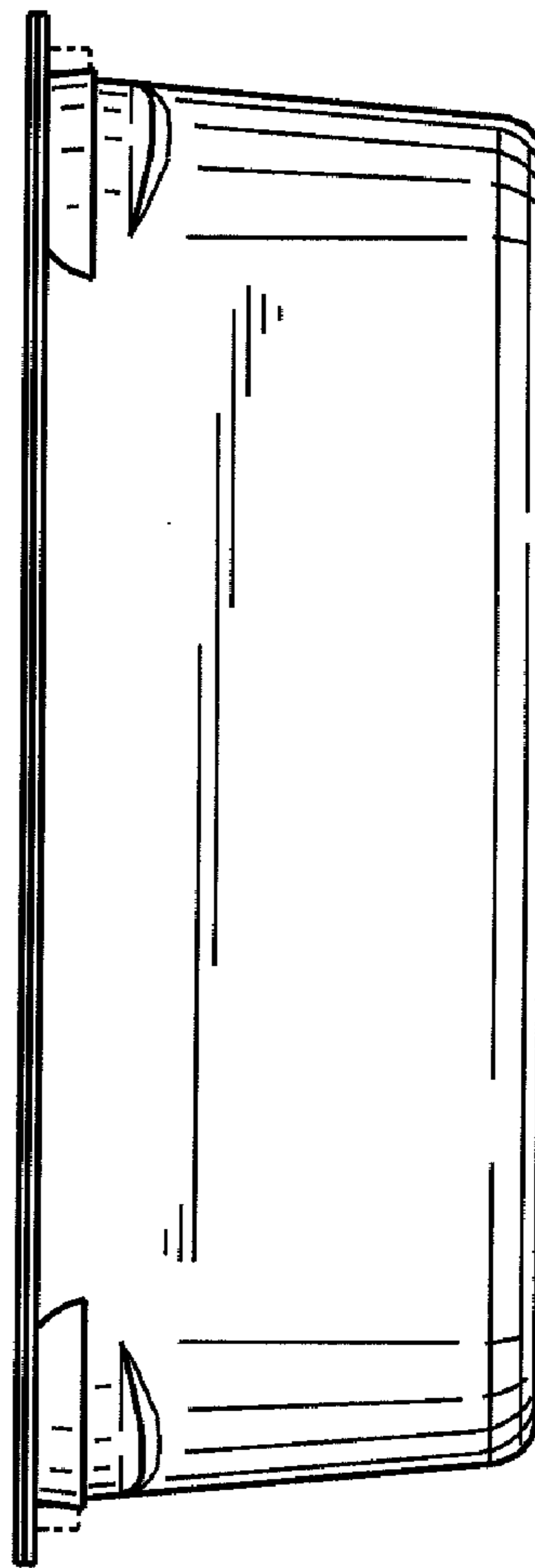


FIG. 4

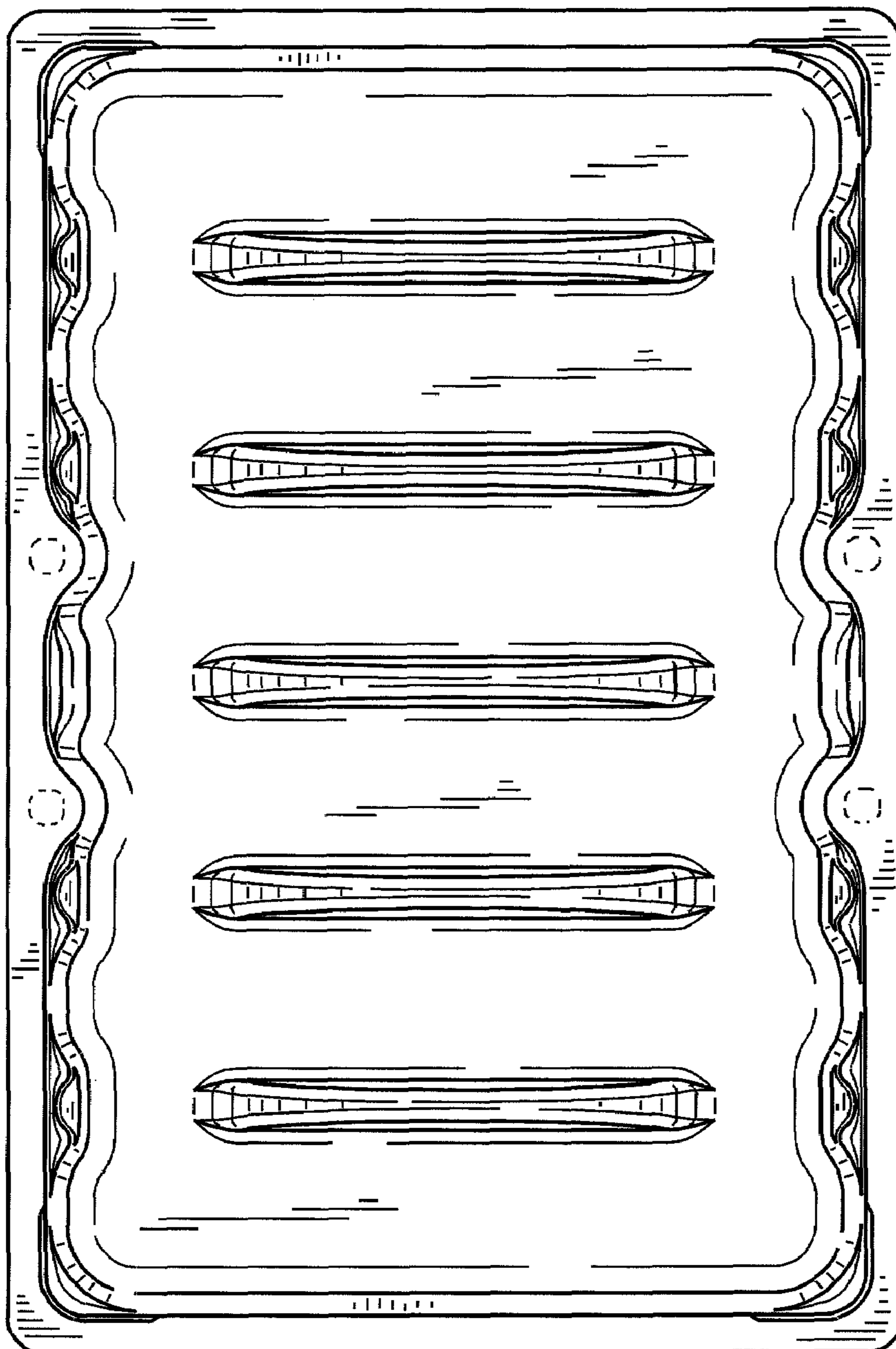


FIG. 5

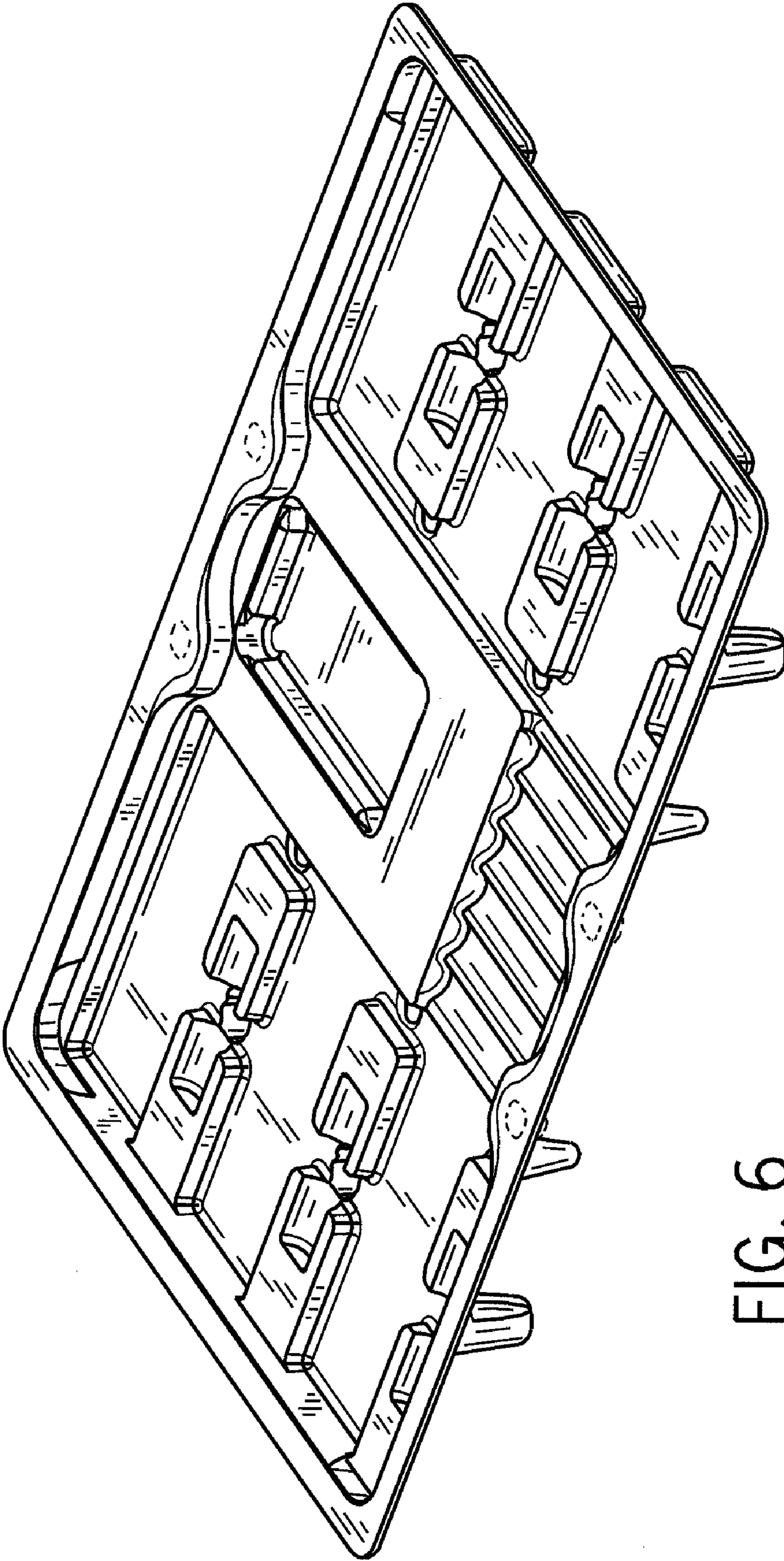


FIG. 6

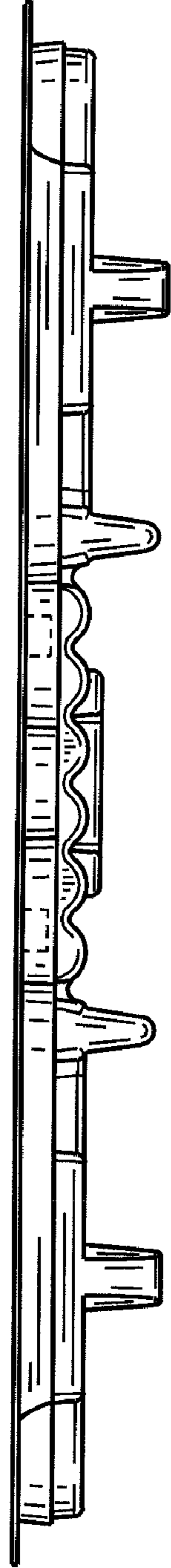


FIG. 7

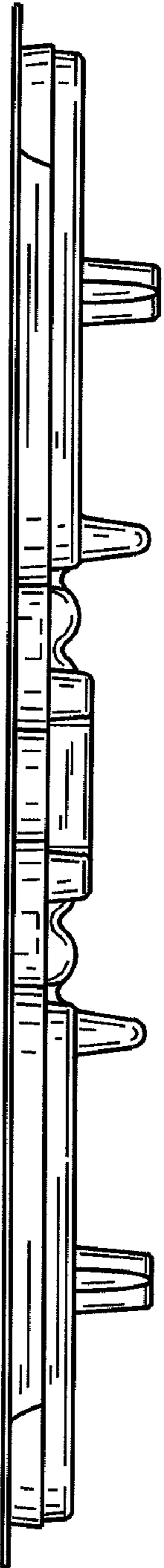


FIG. 8

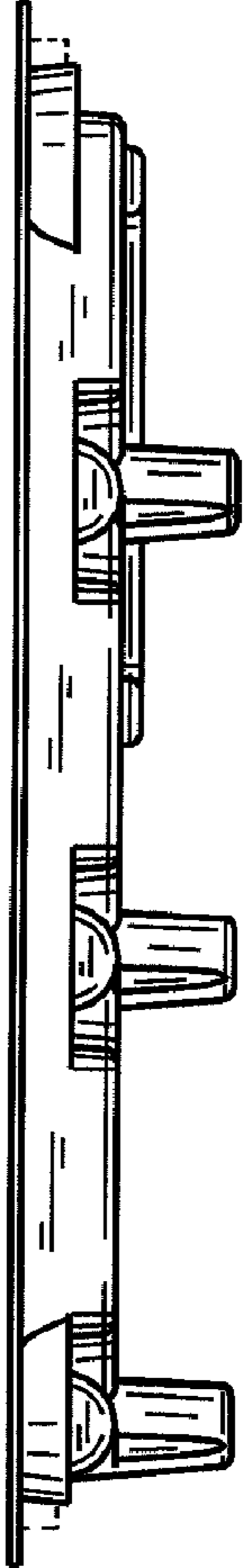


FIG. 9

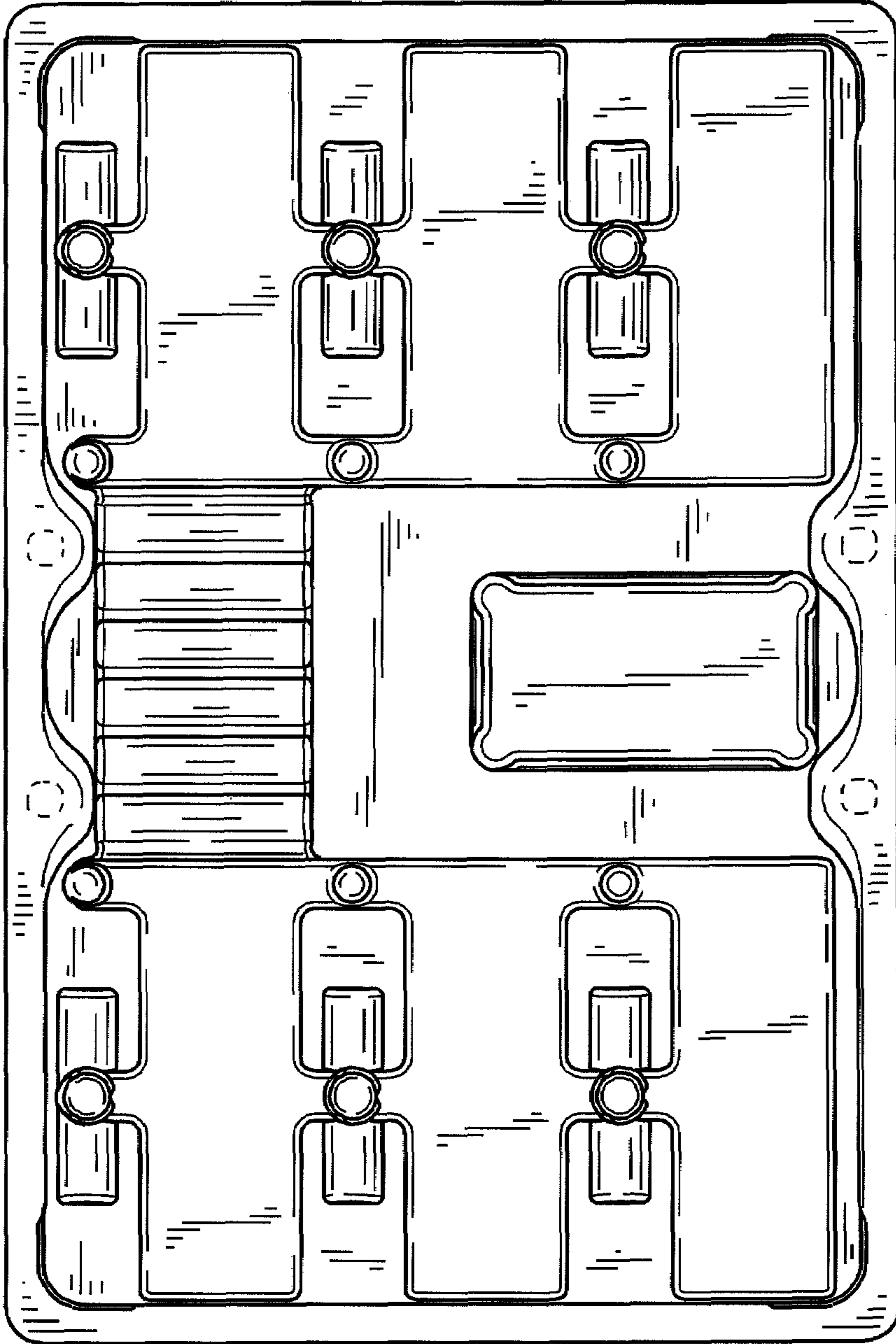


FIG. 10

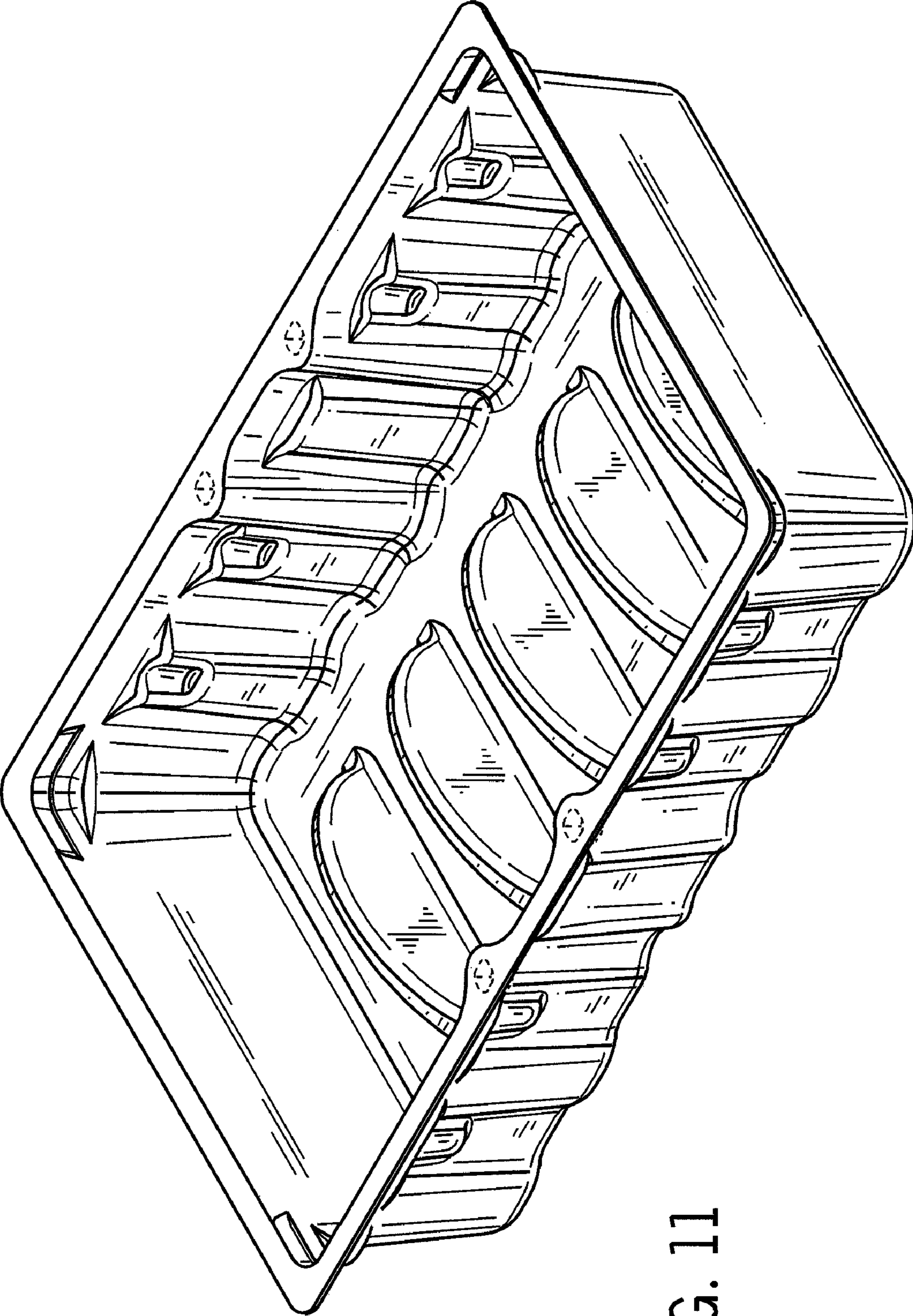


FIG. 11

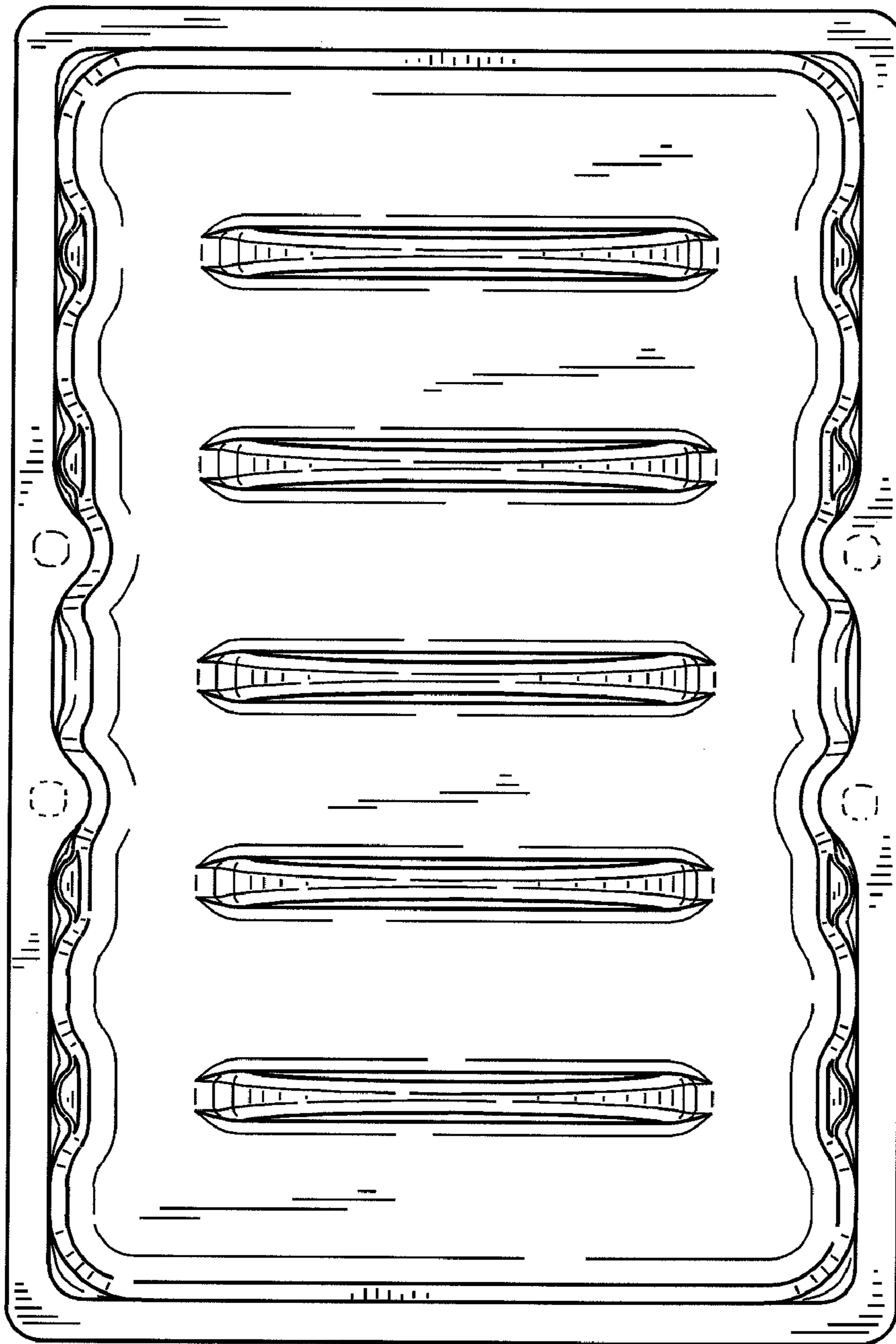


FIG. 12

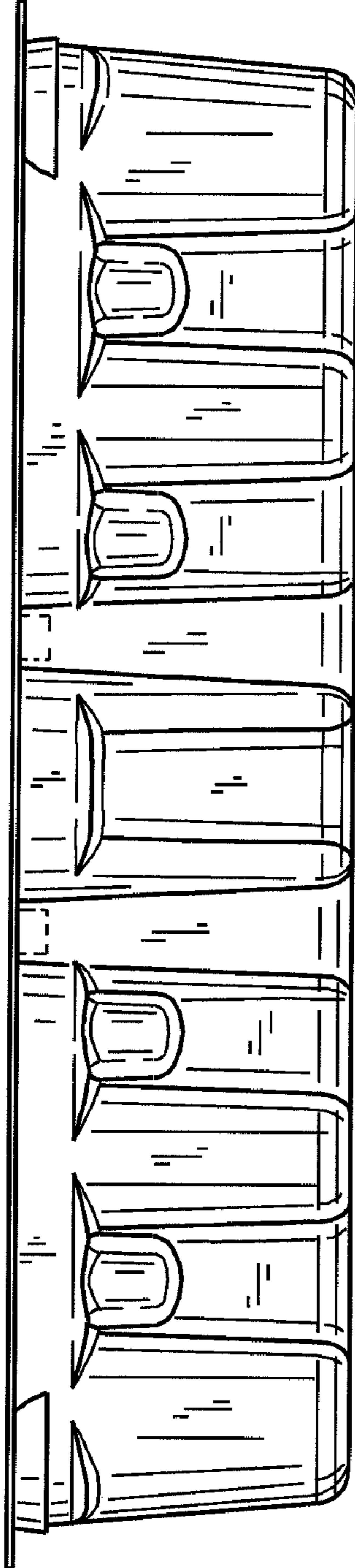


FIG. 13

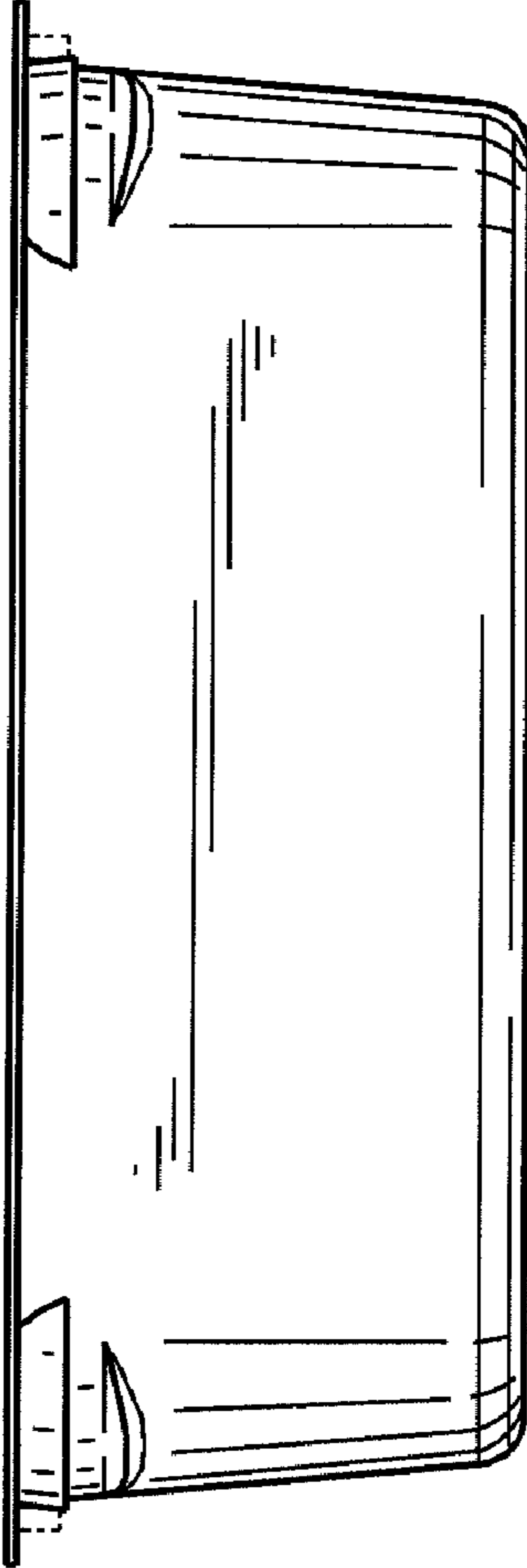


FIG. 14