



US00D587109S

(12) **United States Design Patent**
Lyon et al.

(10) **Patent No.:** **US D587,109 S**
(45) **Date of Patent:** **** Feb. 24, 2009**

(54) **PACKAGE FOR FOOD PRODUCTS**

(75) Inventors: **Cari Lyon**, Minneapolis, MN (US);
Joseph Shillings, Minneapolis, MN
(US); **Gandhi Sifuentes**, Whittier, CA
(US); **Craig Snedden**, Culver City, CA
(US)

(73) Assignee: **Target Brands, Inc.**, Minneapolis, MN
(US)

(**) Term: **14 Years**

(21) Appl. No.: **29/298,310**

(22) Filed: **Dec. 3, 2007**

(51) **LOC (9) Cl.** **09-03**

(52) **U.S. Cl.** **D9/425; D9/737; D9/761;**
D9/757

(58) **Field of Classification Search** **D9/737,**
D9/757, 761, 759, 414, 420-426, 430-432;
D7/553.1, 553.6, 553.7, 553.8, 629, 602;
206/564, 541; 220/4.23, 835, 839, 555, 575,
220/4.26, 4.27, 556, 557, 553; 229/902-904,
229/906, 406, 407, 110

See application file for complete search history.

(56) **References Cited**

U.S. PATENT DOCUMENTS

D222,828 S *	1/1972	Giraudet	D9/757
D262,355 S *	12/1981	Oakley	D9/757
D282,147 S *	1/1986	Mangla	D9/757
D363,879 S *	11/1995	Krupa et al.	D9/423
D394,985 S *	6/1998	Curtis et al.	D7/538
D411,448 S *	6/1999	Baker	D9/415
D512,305 S *	12/2005	Ramirez et al.	D9/425
D514,452 S *	2/2006	Enriquez	D9/759
2004/0007583 A1 *	1/2004	Lin	220/835

OTHER PUBLICATIONS

The Brenmar Company, Inc., Hinged Cupcake/Muffin Containers,
[http://www.brenmarco.com/supermarket/
SUPERMARKET%20LARGE%20PAGES/cupcakecont.html](http://www.brenmarco.com/supermarket/SUPERMARKET%20LARGE%20PAGES/cupcakecont.html), Jan.
31, 2008, 3 pages.

Plastic Container City, Hinged Plastic Containers, [http://www.
plasticcontainercity.com/Hinged_Plastic_Containers-Produced.
html](http://www.plasticcontainercity.com/Hinged_Plastic_Containers-Produced.html), Jan. 31, 2008, 5 pages.

Country Clean Paper Supplies, [http://www.wesellcoffee.com/
page72.html](http://www.wesellcoffee.com/page72.html), Jan. 31, 2008, 11 pages.

CM Packaging, [http://www.cmpackaging.com/ProductCart/pc/
viewCat_g.asp?idCategory=63](http://www.cmpackaging.com/ProductCart/pc/viewCat_g.asp?idCategory=63), Jan. 31, 2008, 1 page.

CM Packaging, [http://www.cmpackaging.com/ProductCart/pc/
viewCat_h.asp?idCategory=59](http://www.cmpackaging.com/ProductCart/pc/viewCat_h.asp?idCategory=59), Jan. 31, 2008, 4 pages.

Genpak, Clear Hinged Baery Containers, [http://www.genpak.com/
cfm/containersbycategory.cfm?catid=71](http://www.genpak.com/cfm/containersbycategory.cfm?catid=71), Jan. 31, 2008, 3 pages.

ReStockIt.com, Black Plastic Hinged Lid Hoagie Container, [http://
www.restockit.com/Black-Plastic-Hinged-Lid-Hoagie-Container-
8-\(REY12481\).html](http://www.restockit.com/Black-Plastic-Hinged-Lid-Hoagie-Container-8-(REY12481).html), Jan. 31, 2008, 7 pages.

ReStockIt.com, Plastic Hinged Lid Containers, [http://www.restockit.
com/Plastic-Hinged-Lid-Containers.html](http://www.restockit.com/Plastic-Hinged-Lid-Containers.html), Jan. 31, 2008, 9 pages.

ReStockIt.com, Clear Plastic Hinged Lid 1 Compartment, [http://
www.restockit.com/H-
Lik-Plastic-1Comp-Large-Clear-\(C55UT1DART\)-ON-
SALE-TODAY!.html](http://www.restockit.com/H-Lik-Plastic-1Comp-Large-Clear-(C55UT1DART)-ON-SALE-TODAY!.html), Jan. 31, 2008, 7 pages.

* cited by examiner

Primary Examiner—Stella M. Reid

Assistant Examiner—Mark A Goodwin

(74) *Attorney, Agent, or Firm*—Theodore M. Magee;
Westman, Champlin & Kelly, P.A.

(57) **CLAIM**

The ornamental design for a package for food products, as shown and described.

DESCRIPTION

FIG. 1 is a top left front perspective view of the package for food products.

FIG. 2 is a left side view of the package for food products.

FIG. 3 is a right side view of the package for food products.

FIG. 4 is a front view of the package for food products.

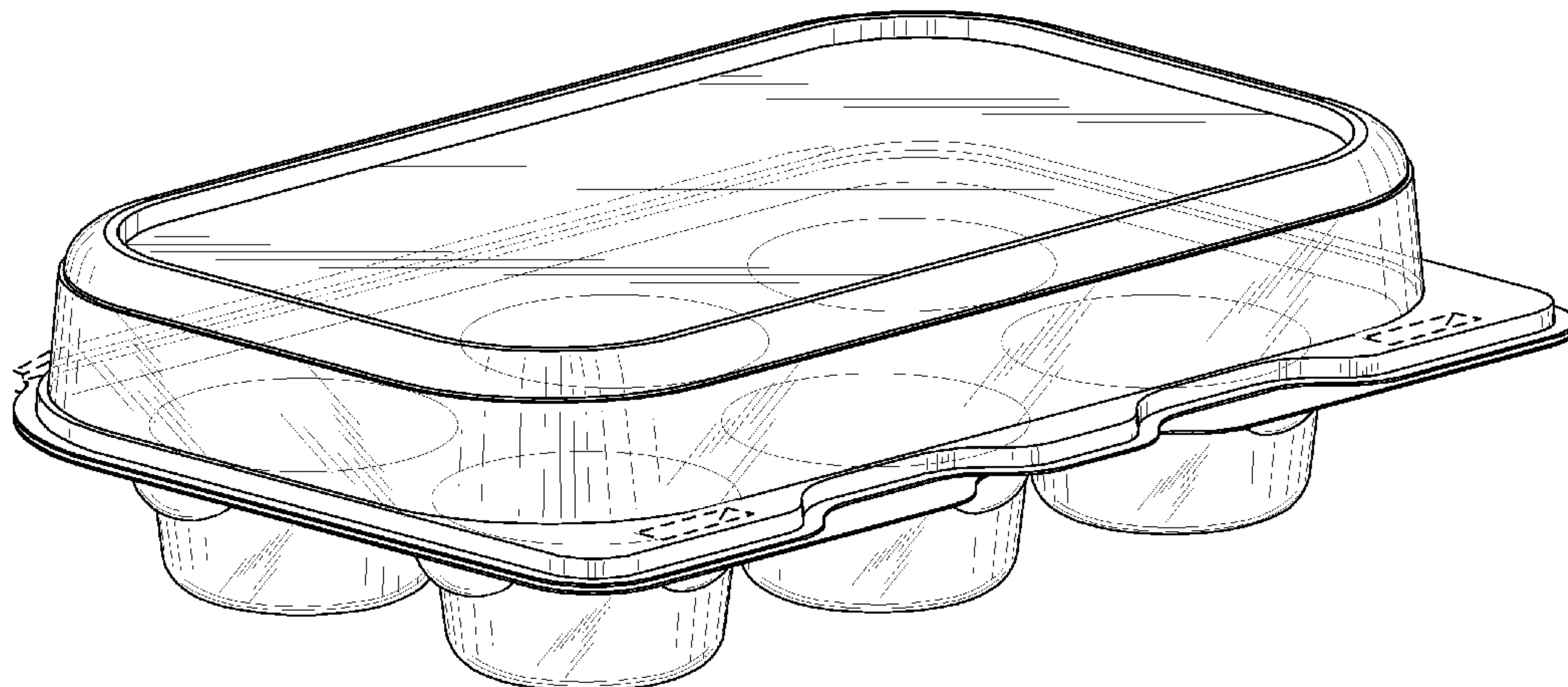
FIG. 5 is a back view of the package for food products.

FIG. 6 is a top view of the package for food products; and,

FIG. 7 is a bottom view of the package for food products.

The dotted lines in FIGS. 1-7 do not form any part of the claimed design for the package for food products.

1 Claim, 7 Drawing Sheets



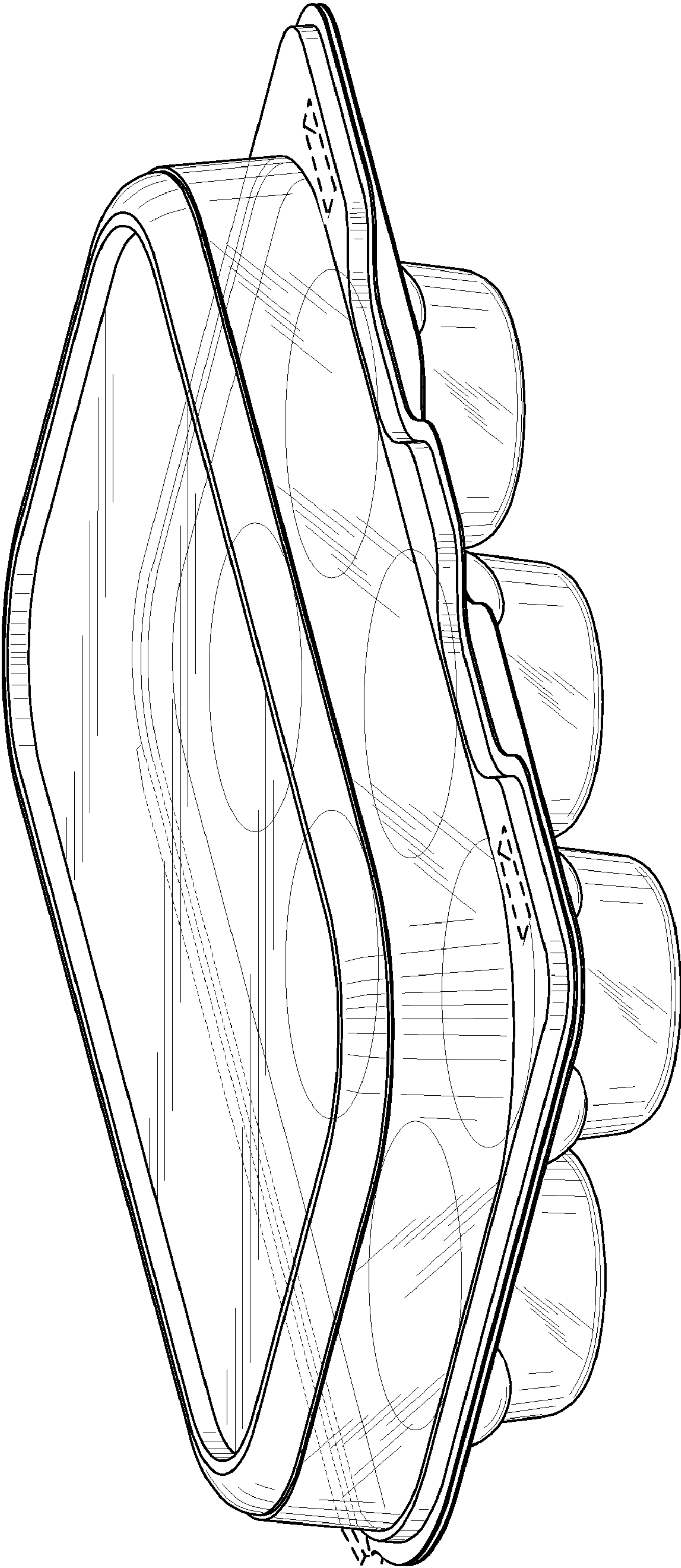


FIG. 1

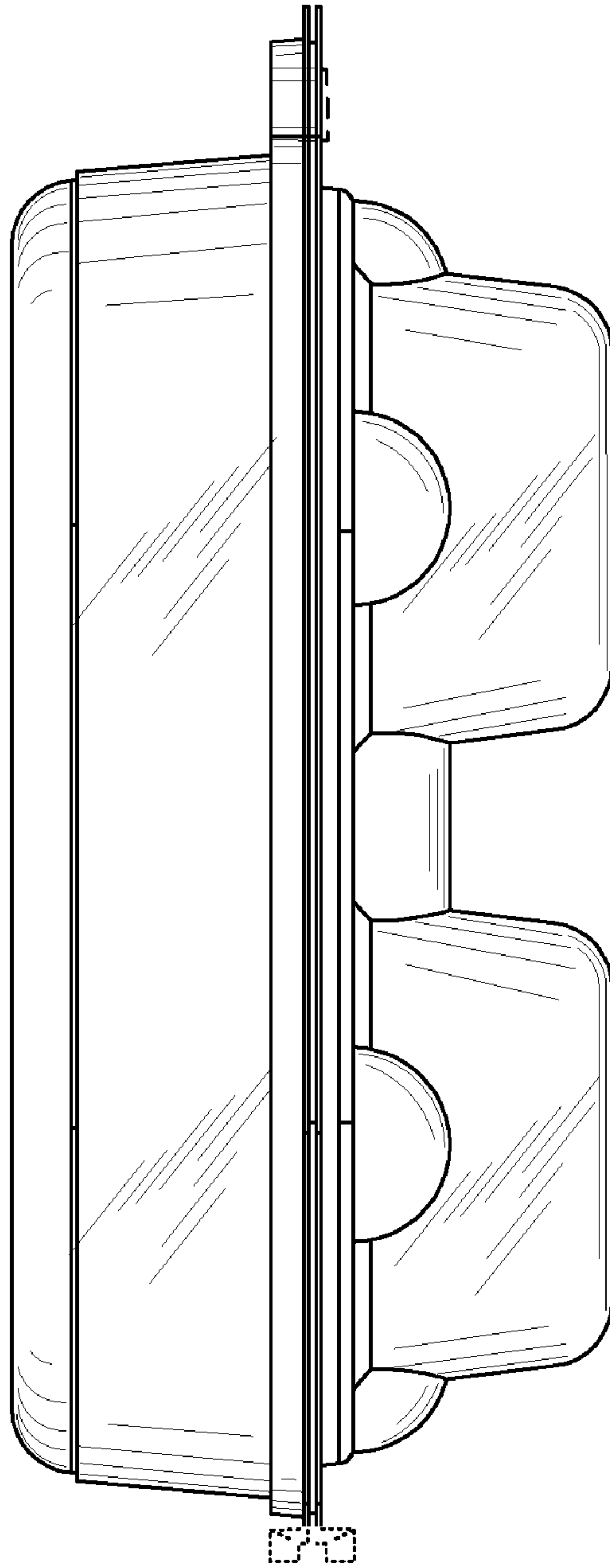


FIG. 2

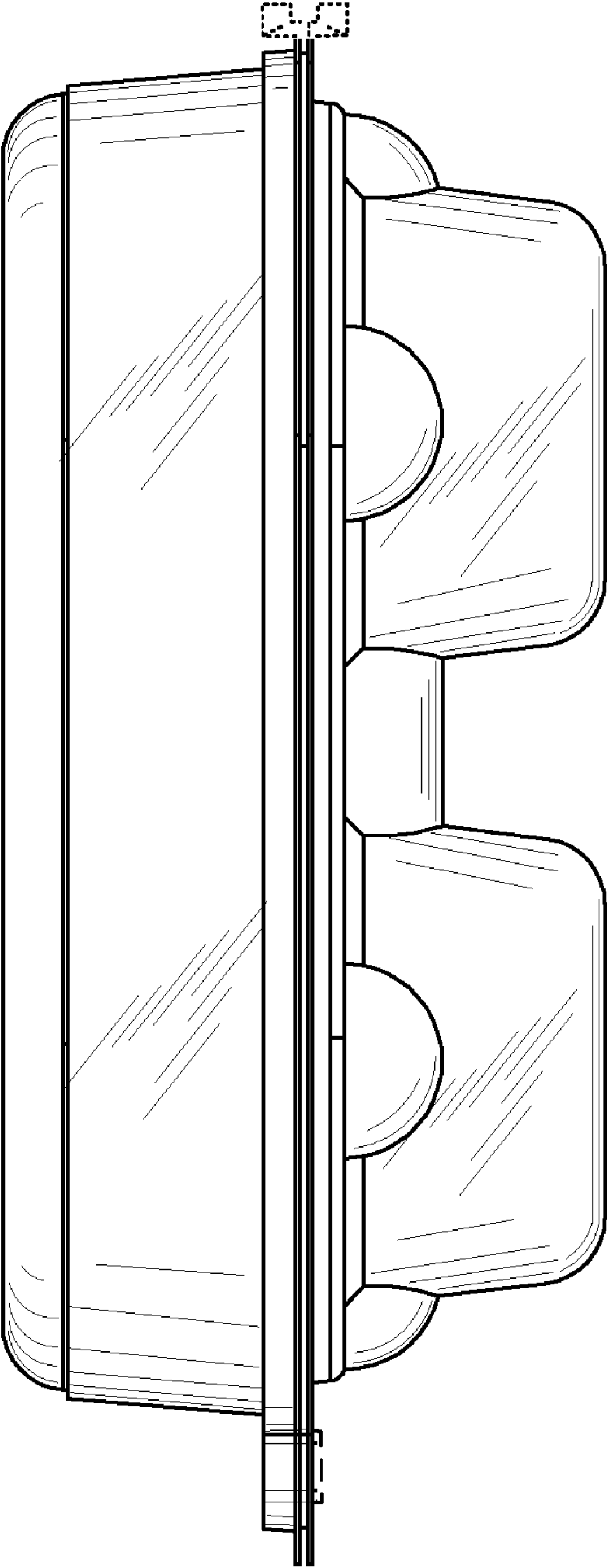


FIG. 3

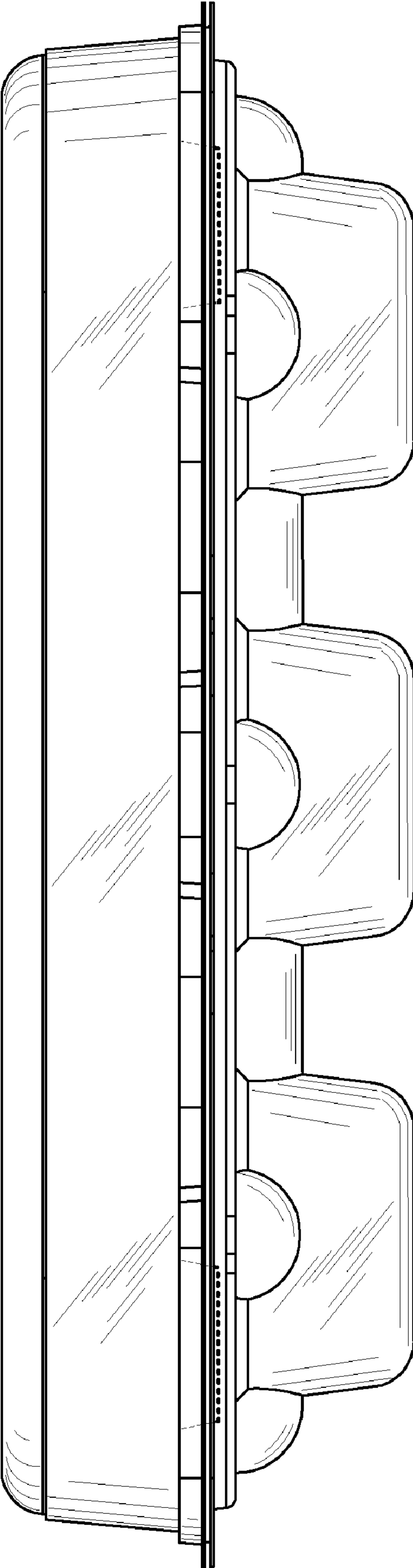


FIG. 4

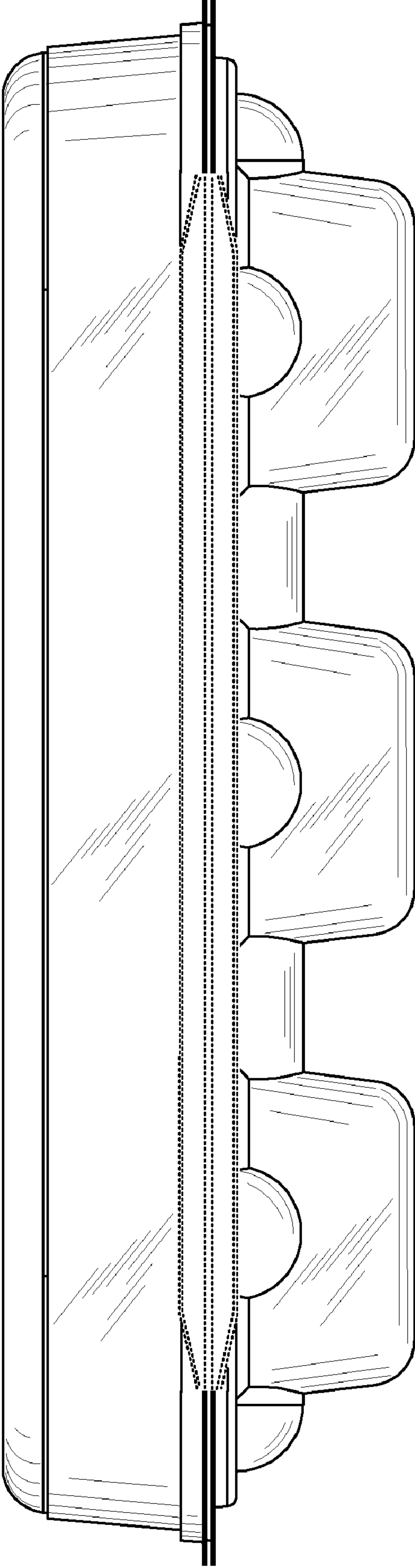


FIG. 5

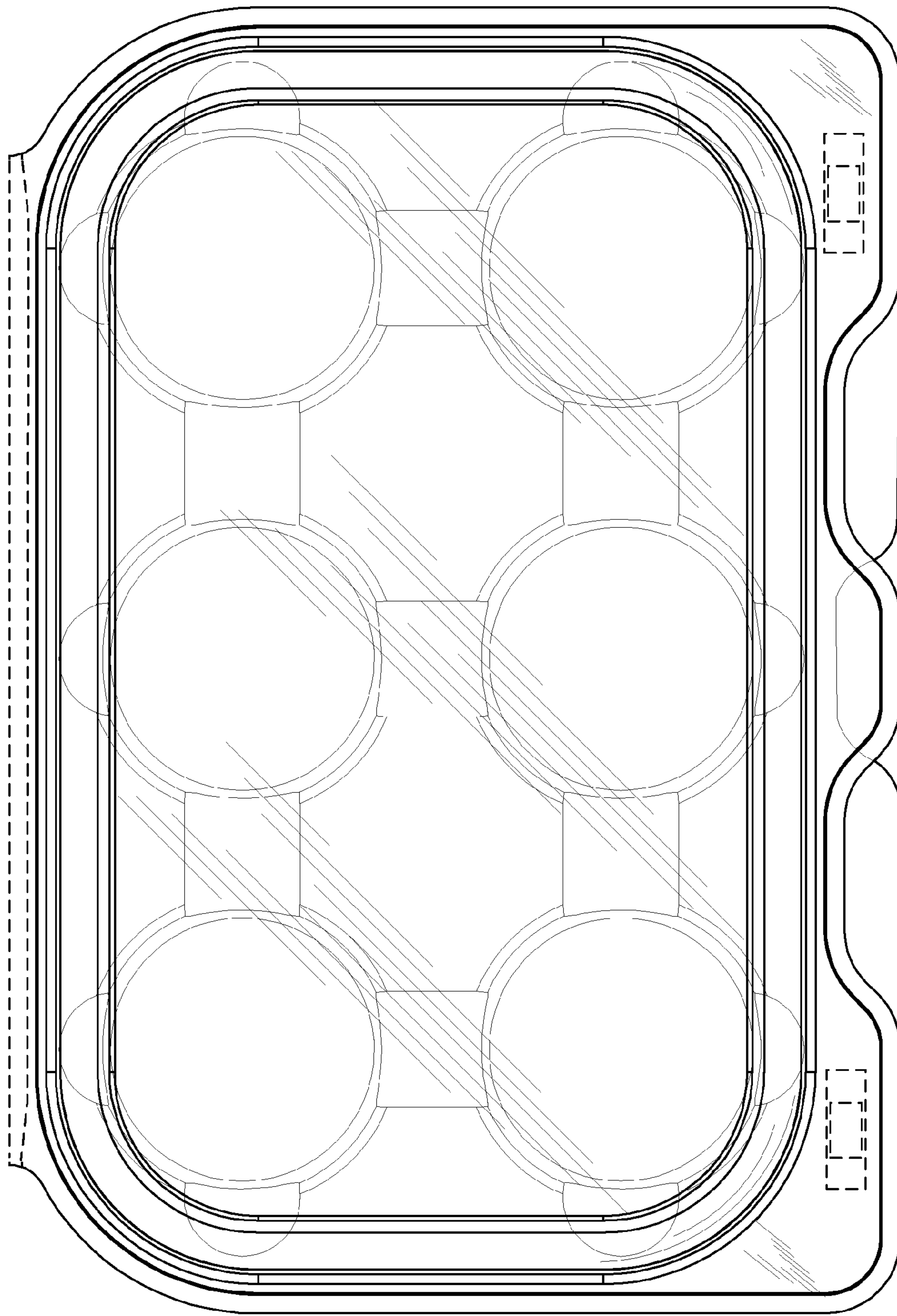


FIG. 6

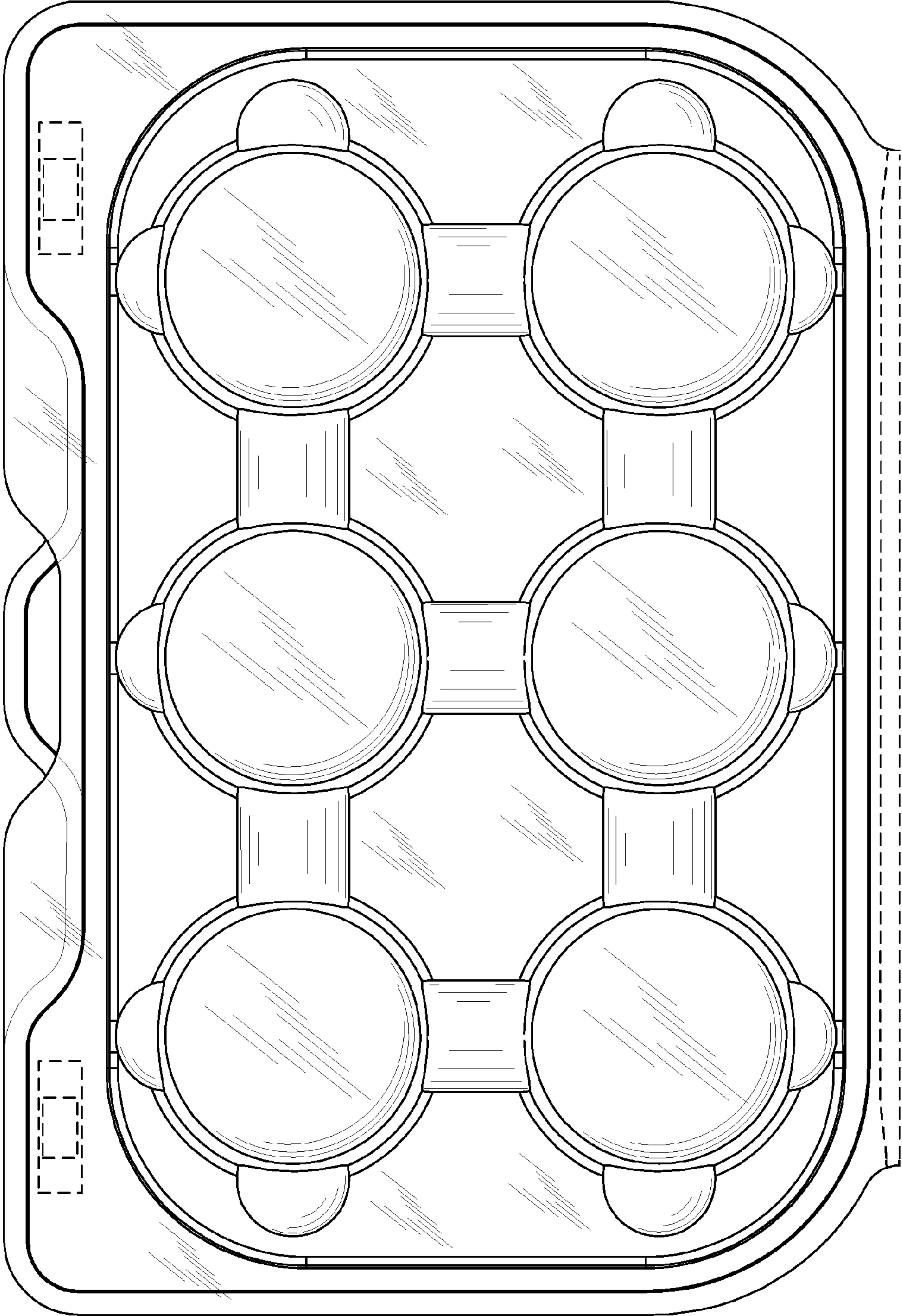


FIG. 7