



US00D587107S

(12) **United States Design Patent**  
**Hao**

(10) **Patent No.:** **US D587,107 S**

(45) **Date of Patent:** **\*\* Feb. 24, 2009**

(54) **WRENCH DISPLAY PACKAGE**

(75) Inventor: **Wen Hao**, City of Industry, CA (US)

(73) Assignee: **JPJ Investment Holding Co.**, Carson City, NV (US)

(\*\*) Term: **14 Years**

(21) Appl. No.: **29/306,369**

(22) Filed: **Apr. 8, 2008**

(51) **LOC (9) Cl.** ..... **09-03**

(52) **U.S. Cl.** ..... **D9/415**

(58) **Field of Classification Search** ..... D9/715,  
D9/722, 414-432, 457; 206/461-471, 207,  
206/349, 376-378, 493, 806; 211/70.6  
See application file for complete search history.

(56) **References Cited**

**U.S. PATENT DOCUMENTS**

D366,829	S *	2/1996	Chervenak et al.	.....	D9/415
6,409,015	B1 *	6/2002	Hu	.....	206/378
6,450,335	B1 *	9/2002	Yates	.....	206/335
D494,066	S *	8/2004	Liu	.....	D9/457
6,935,516	B2 *	8/2005	Chiang	.....	211/70.6
D520,875	S *	5/2006	Wheeler et al.	.....	D9/457
2002/0162763	A1 *	11/2002	Chow	.....	206/349
2004/0035731	A1 *	2/2004	Lee	.....	206/349

2005/0061757	A1 *	3/2005	Chiang	.....	211/70.6
2006/0086636	A1 *	4/2006	Kuo	.....	206/495
2007/0007156	A1 *	1/2007	Wu	.....	206/376

\* cited by examiner

*Primary Examiner*—Catherine Tuttle

(74) *Attorney, Agent, or Firm*—Lackebach Siegel LLP;  
Myron Greenspan

(57) **CLAIM**

I claim the ornamental design for a wrench display package, as shown and described.

**DESCRIPTION**

FIG. 1 is a perspective view of the wrench display package embodying my new design;

FIG. 2 is a front elevational view thereof;

FIG. 3 is a rear elevational view thereof;

FIG. 4 is a left side elevational view thereof;

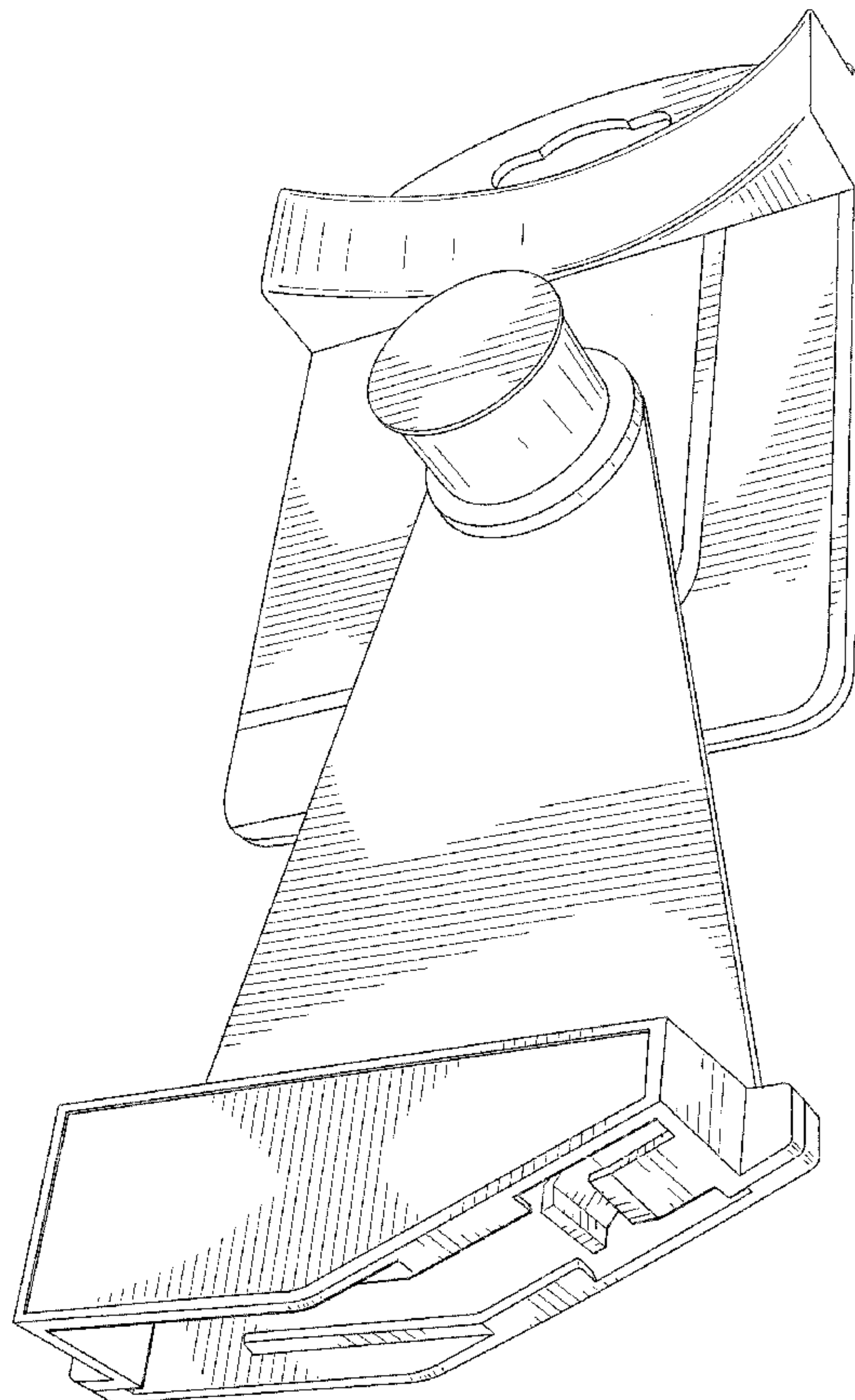
FIG. 5 is a right side elevational view thereof;

FIG. 6 is a top plan view thereof; and,

FIG. 7 is a bottom plan view thereof.

The broken lines shown in FIGS. 3, 5, 6 and 7 are included for the purpose of illustrating portions of the wrench display package that form no part of the claimed design.

**1 Claim, 6 Drawing Sheets**



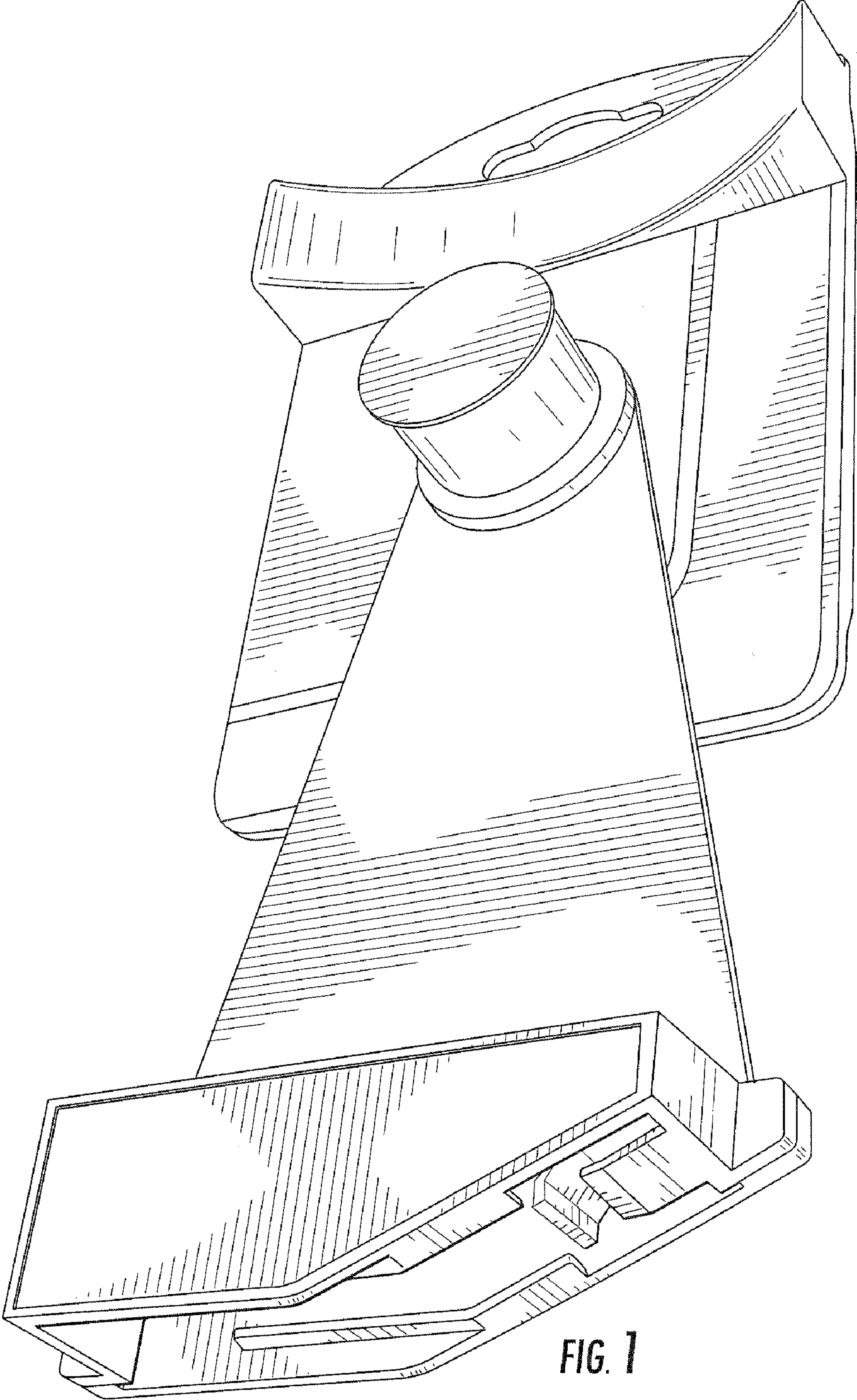


FIG. 1

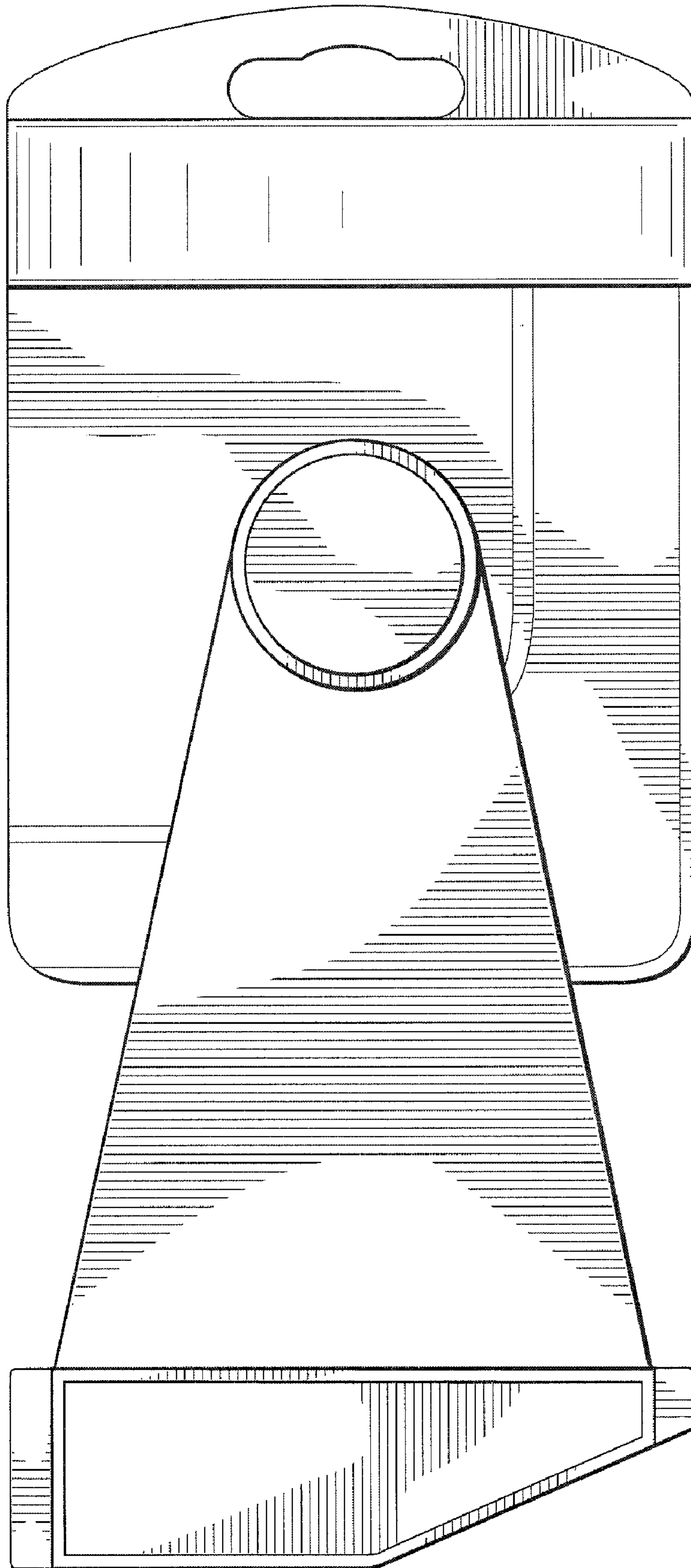


FIG. 2

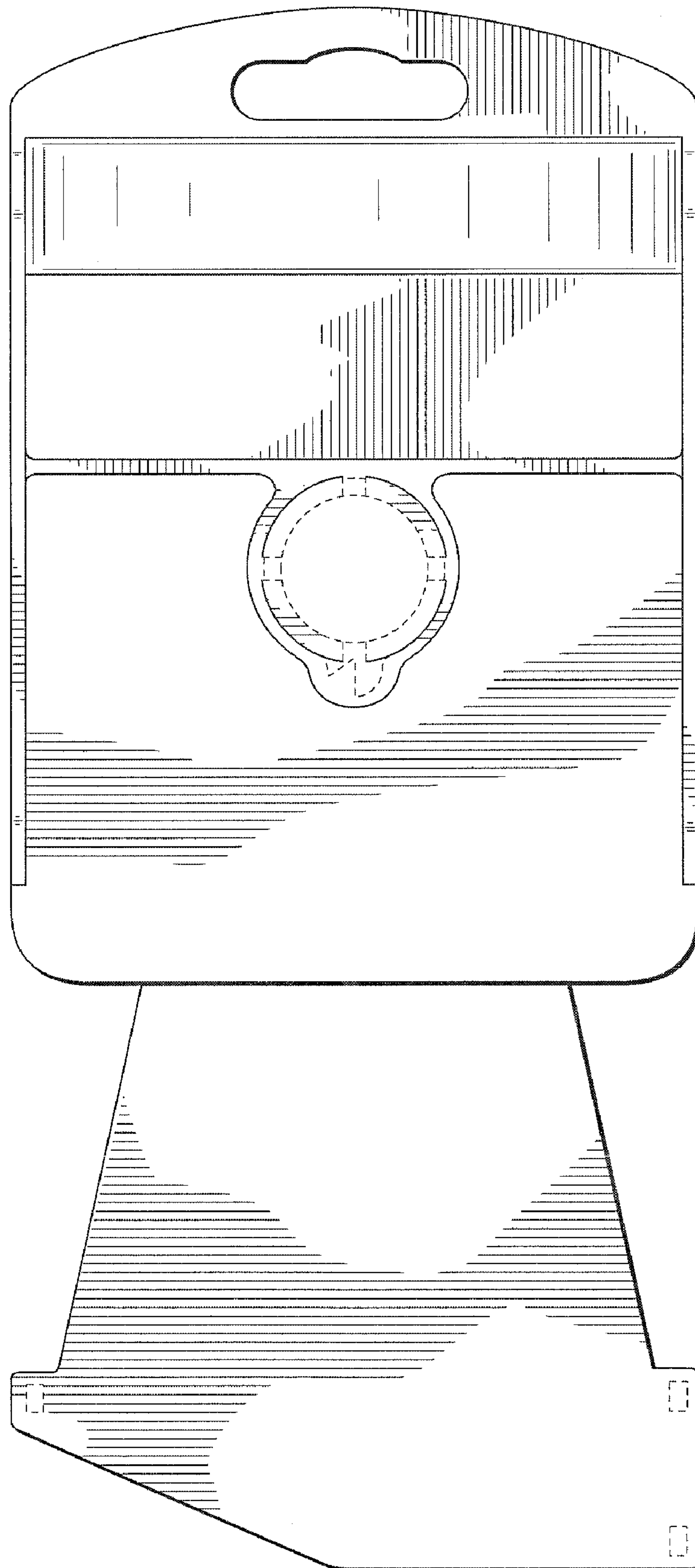


FIG. 3



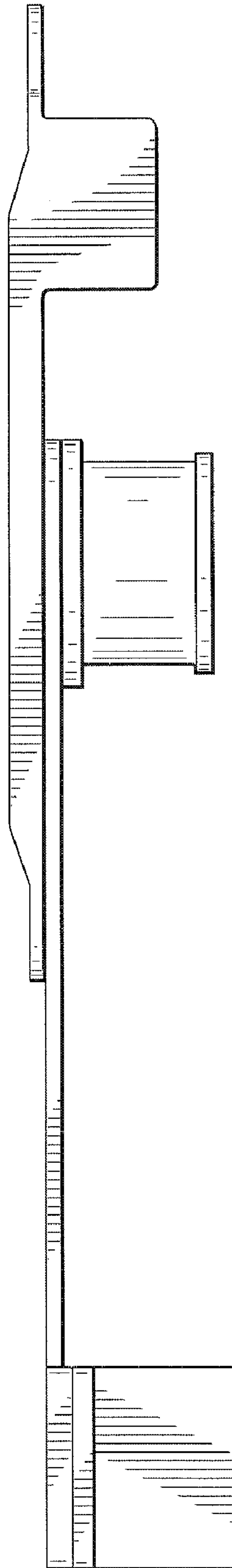


FIG. 4

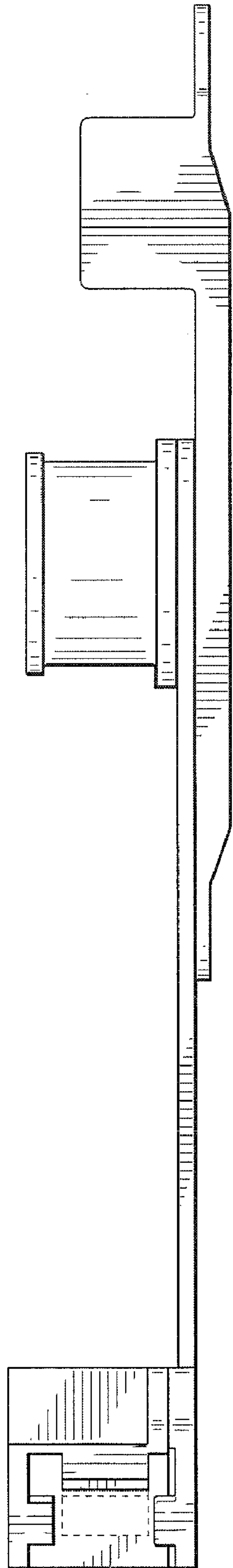


FIG. 5

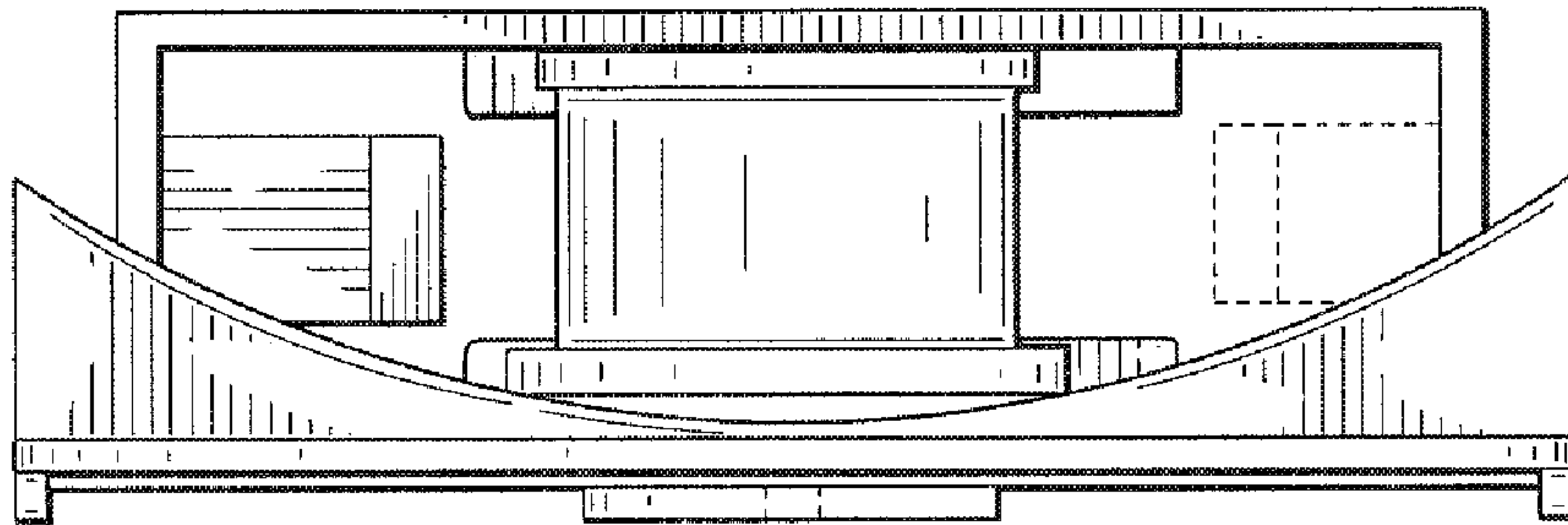


FIG. 6

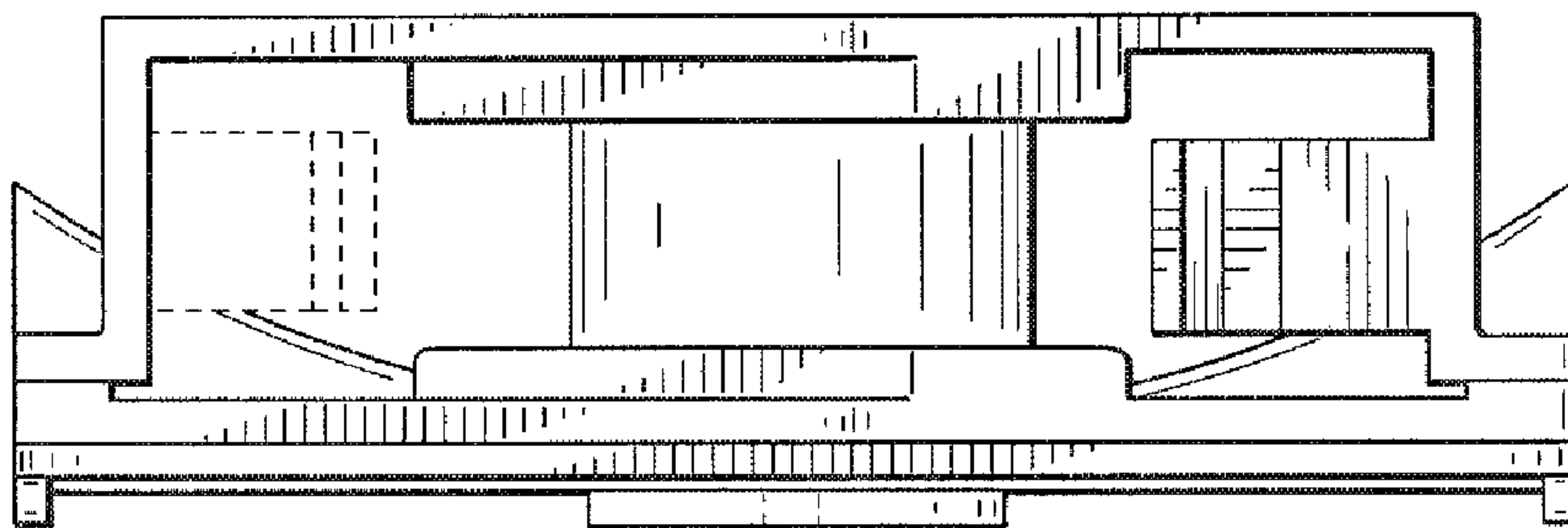


FIG. 7