



US00D587104S

(12) **United States Design Patent**  
**McCammon**

(10) **Patent No.:** **US D587,104 S**

(45) **Date of Patent:** **\*\* Feb. 24, 2009**

(54) **HOOK**

(76) **Inventor:** **Donald L. McCammon**, 6658 Shadow  
Oak La., Orlando, FL (US) 32809

(\*\*) **Term:** **14 Years**

(21) **Appl. No.:** **29/308,280**

(22) **Filed:** **Jun. 9, 2008**

(51) **LOC (9) Cl.** ..... **08-05**

(52) **U.S. Cl.** ..... **D8/372; D8/373**

(58) **Field of Classification Search** ..... D8/367,  
D8/370, 371, 372, 373; D6/92, 93, 122,  
D6/512, 524, 525, 526, 534, 537, 539, 545,  
D6/551, 552, 566, 567; 248/220.4, 303,  
248/304, 339, 340, 493; 52/34; D14/65,  
D14/353

See application file for complete search history.

(56) **References Cited**

**U.S. PATENT DOCUMENTS**

- D273,445 S \* 4/1984 Lohman ..... D6/531
- D300,406 S \* 3/1989 Bordian ..... D8/367
- D305,431 S \* 1/1990 Adams ..... D8/367
- D312,960 S \* 12/1990 Embree et al. .... D8/367

- D317,114 S \* 5/1991 Raffler ..... D8/367
- D322,927 S \* 1/1992 Schuster ..... D8/367
- D328,417 S \* 8/1992 Korpijaakko ..... D8/372
- D338,151 S \* 8/1993 Paulin et al. .... D8/367
- D554,483 S \* 11/2007 Hager et al. .... D8/367

\* cited by examiner

*Primary Examiner*—Robert M Spear

*Assistant Examiner*—Barbara B Lohr

(74) *Attorney, Agent, or Firm*—William M. Hobby, III

(57) **CLAIM**

The ornamental design for a hook, as shown and described.

**DESCRIPTION**

FIG. 1 is a front right side perspective view of my new hook;

FIG. 2 is a top plan view;

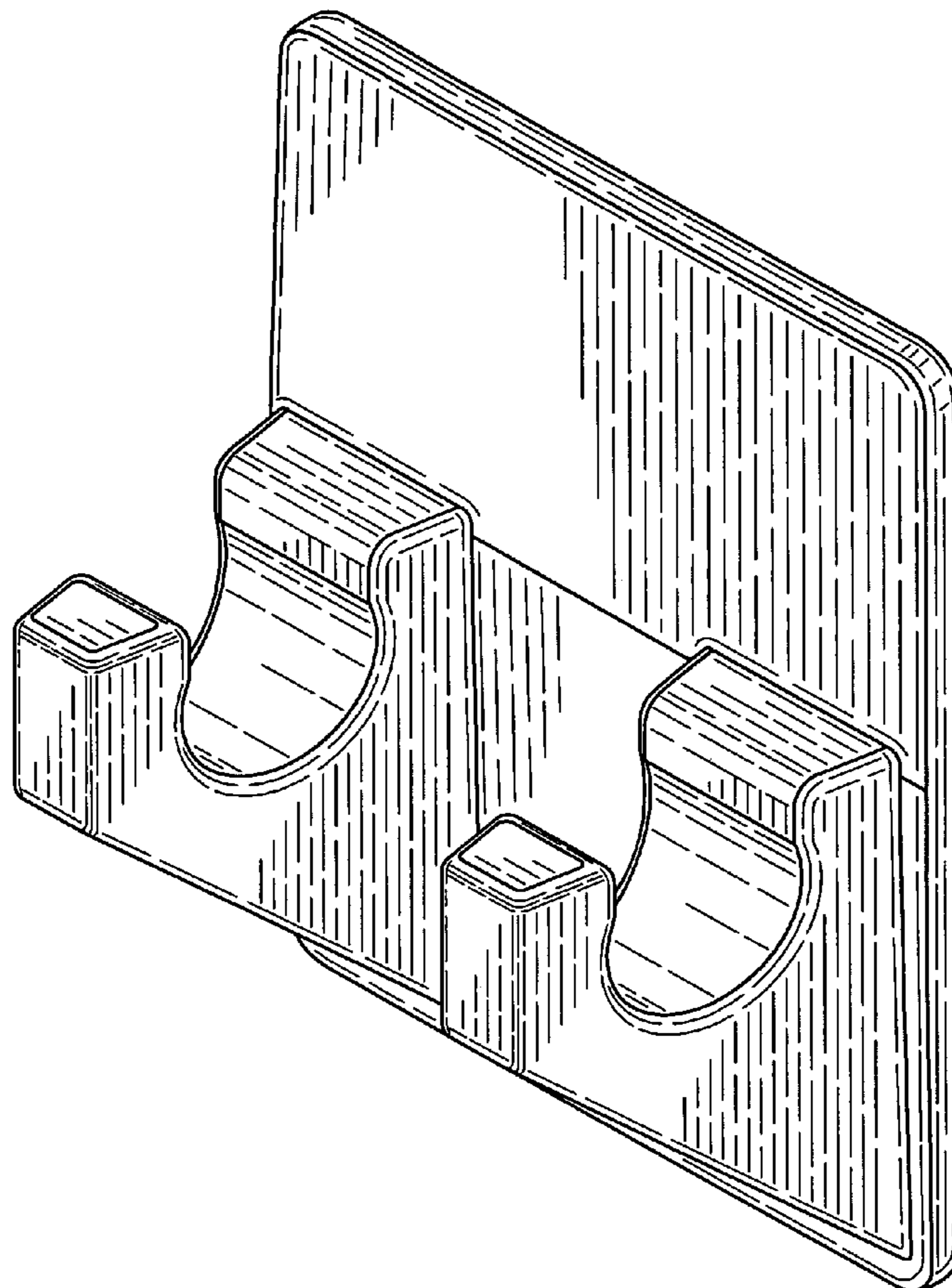
FIG. 3 is a front elevation;

FIG. 4 is a right side elevation, the left side elevation being a mirror image;

FIG. 5 is a bottom plan view; and,

FIG. 6 is a bottom and right side elevation.

**1 Claim, 3 Drawing Sheets**



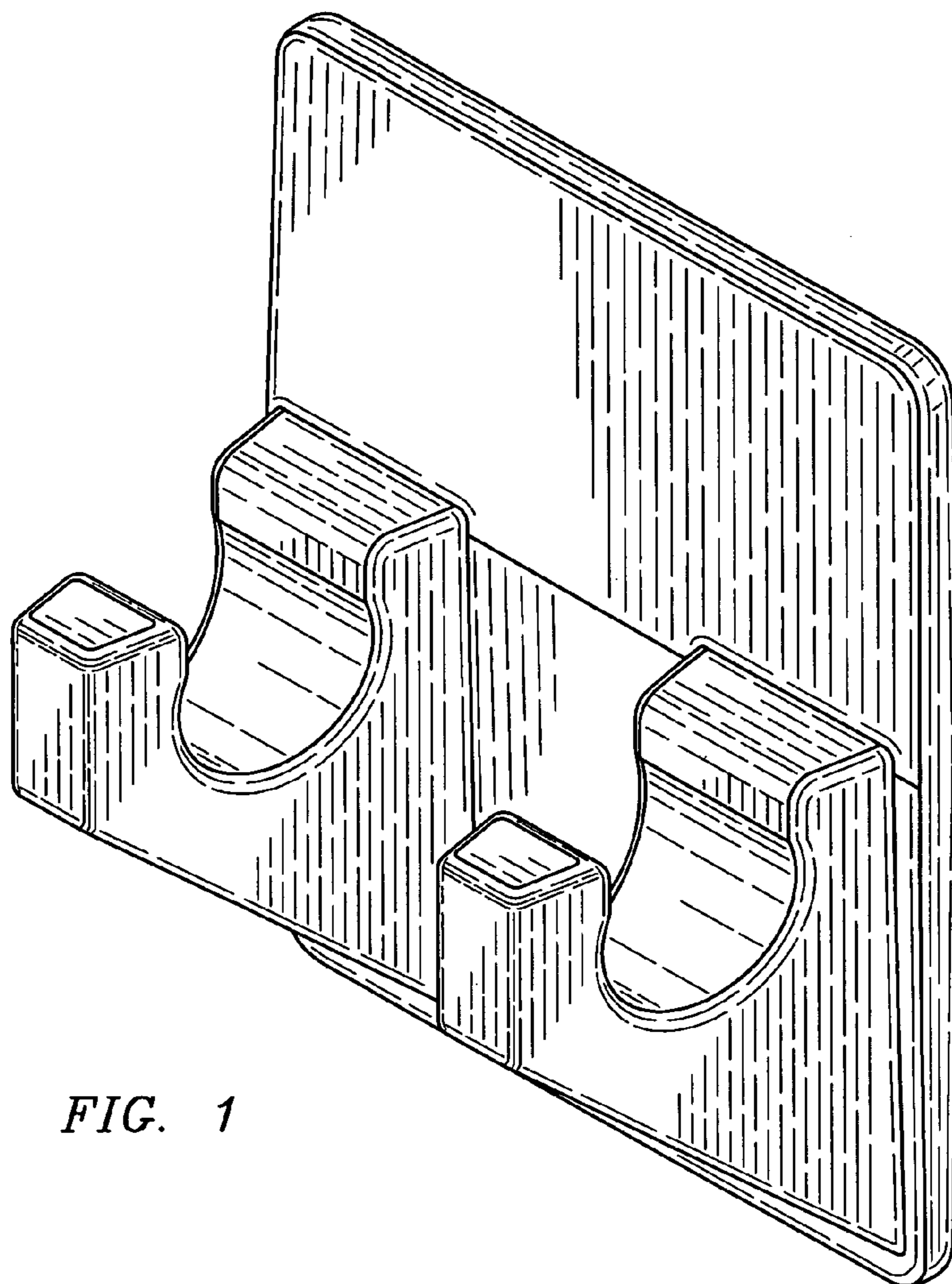


FIG. 1

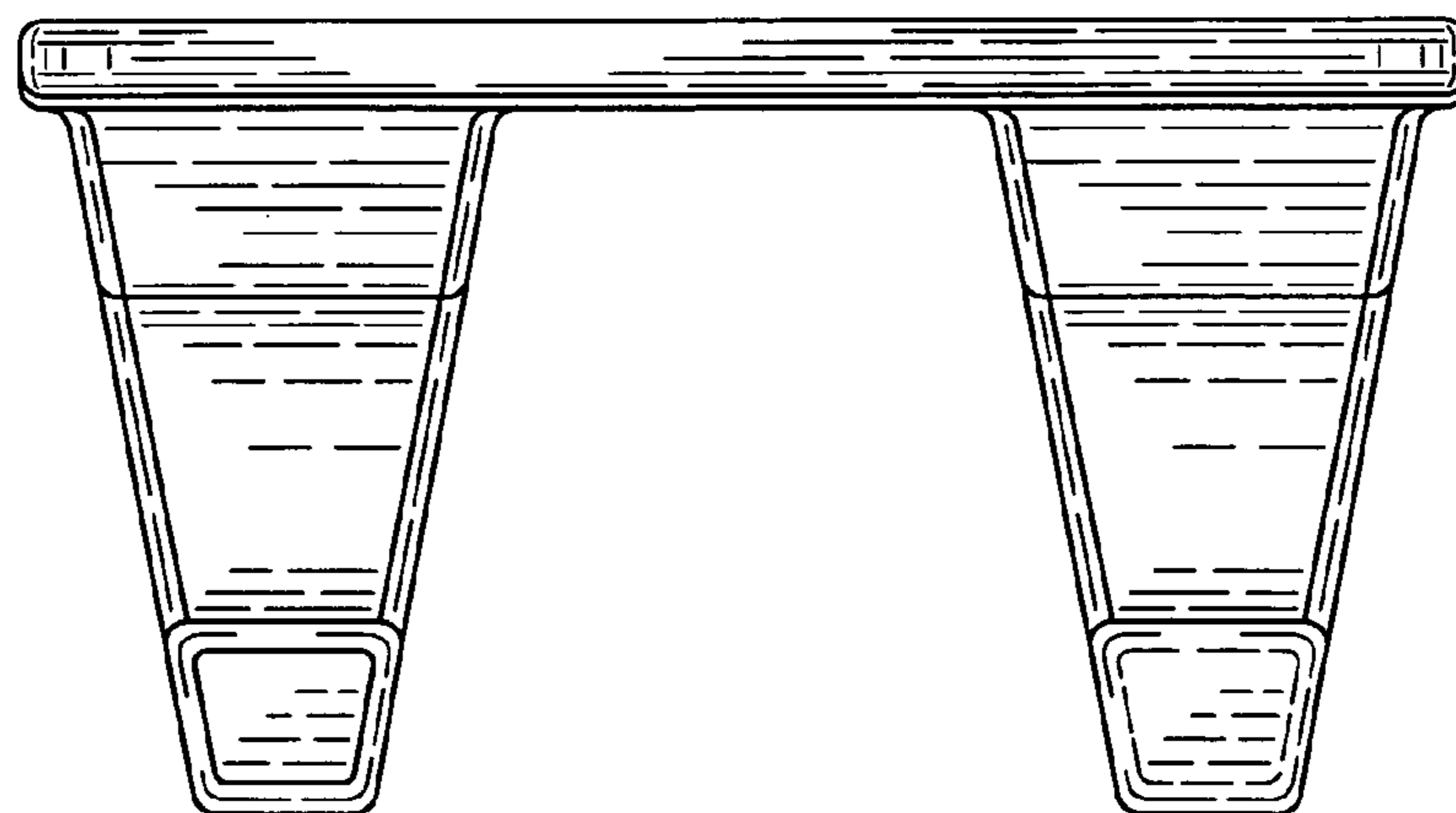


FIG. 2

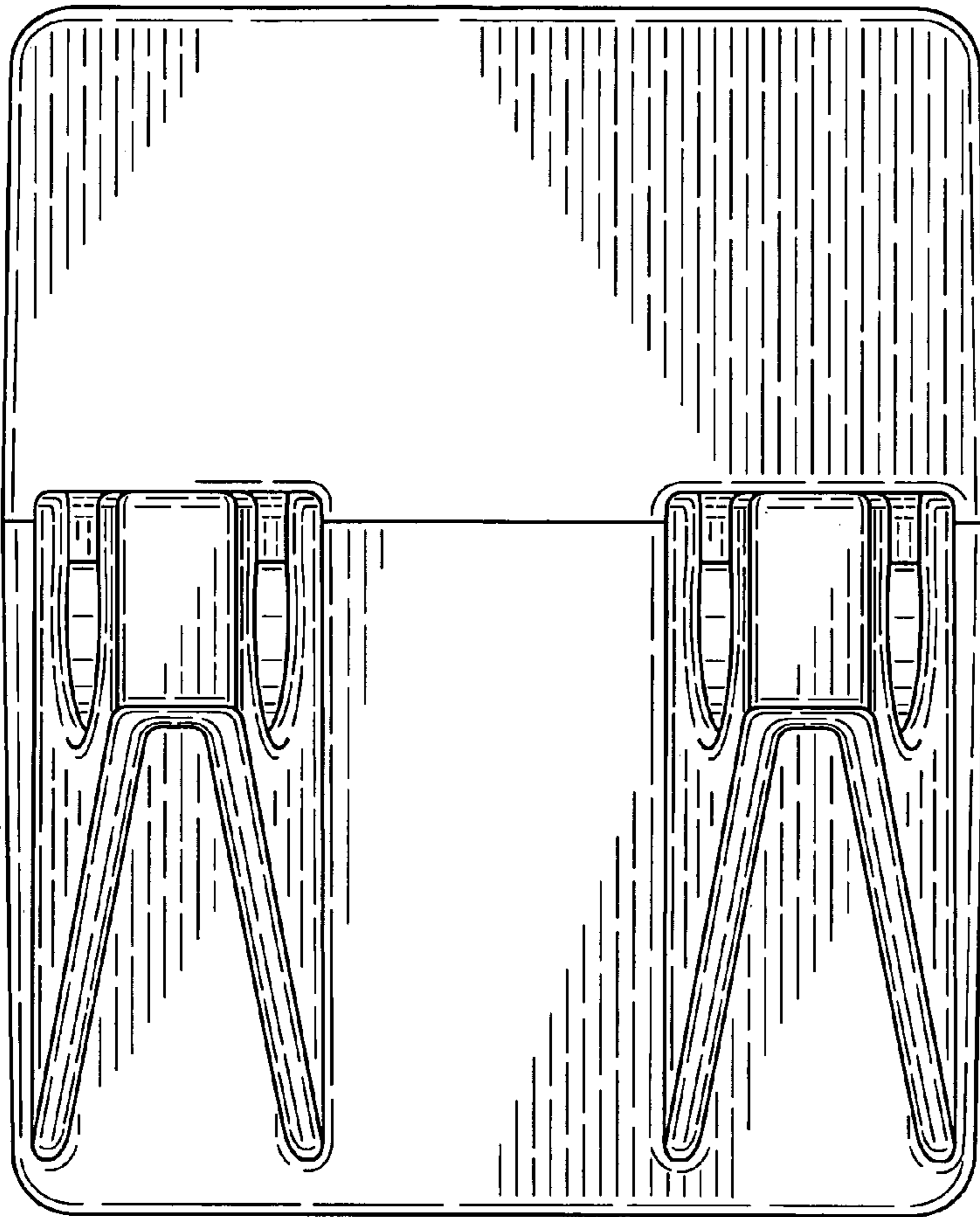


FIG. 3

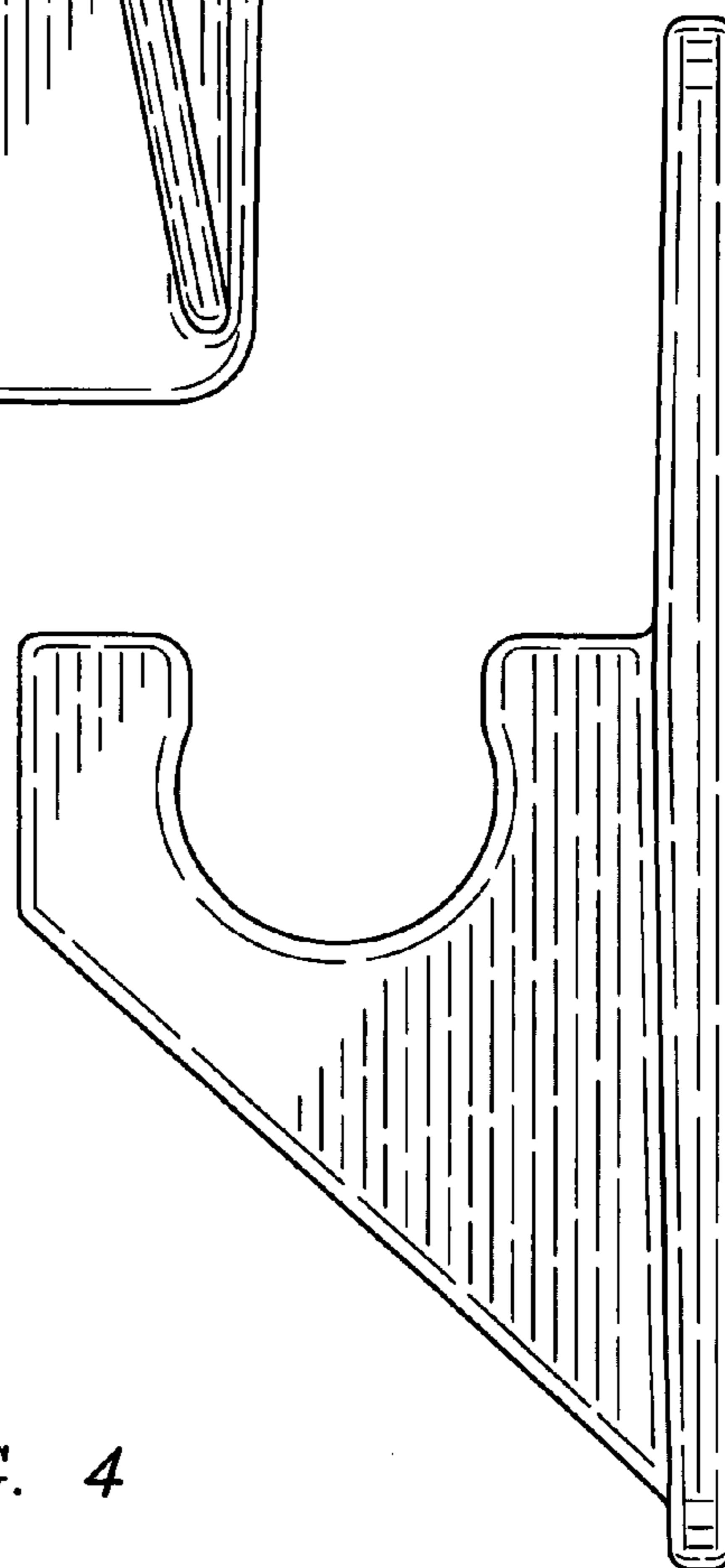


FIG. 4

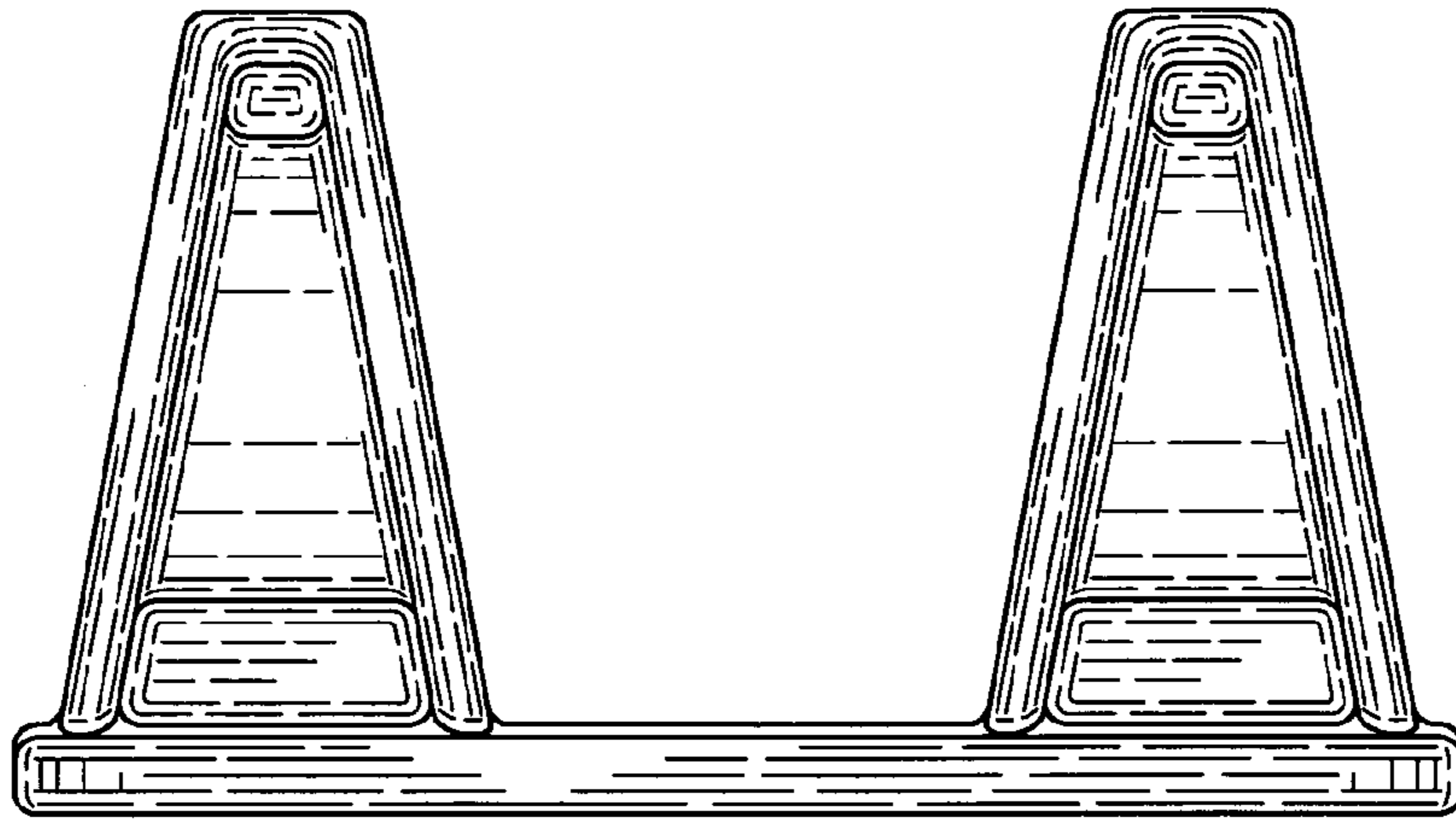


FIG. 5

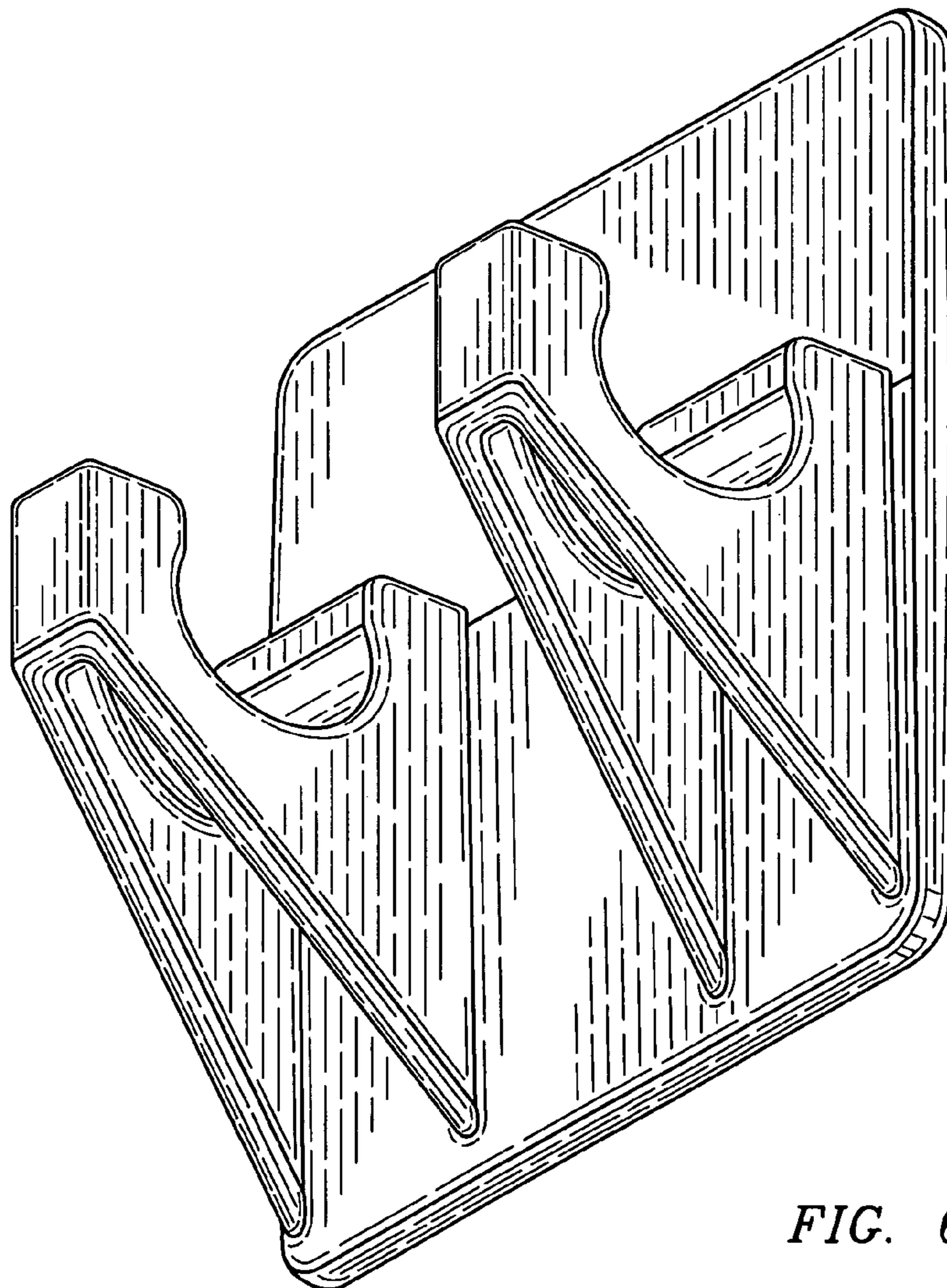


FIG. 6