



US00D587103S

(12) **United States Design Patent**
Byrne

(10) **Patent No.:** **US D587,103 S**
(45) **Date of Patent:** **** Feb. 24, 2009**

(54) **BUNGEE CORD TOOL**

(75) Inventor: **James M. Byrne**, Wooster, OH (US)

(73) Assignee: **The Wooster Brush Company**,
Wooster, OH (US)

(**) Term: **14 Years**

(21) Appl. No.: **29/320,992**

(22) Filed: **Jul. 9, 2008**

(51) **LOC (9) Cl.** **08-05**

(52) **U.S. Cl.** **D8/356**

(58) **Field of Classification Search** D8/105,
D8/107, 333, 349, 354, 356, 358, 367, 373,
D8/382, 383, 394-396, 400; 24/18, 197,
24/561; 174/153 G, 650, 656; 242/400.1,
242/405.1, 405.2, 600, 603; 248/65, 74.1-74.4,
248/201, 214, 215, 229.26, 302, 304, 316.7,
248/316.8; 439/367, 369, 371, 472, 501,
439/535; D6/580

See application file for complete search history.

(56) **References Cited**

U.S. PATENT DOCUMENTS

D335,935 S *	5/1993	Rouail	D28/73
5,401,019 A *	3/1995	Wissman et al.	473/286
5,685,732 A *	11/1997	Lane	439/369
D403,389 S *	12/1998	Kim	D21/793
5,987,707 A *	11/1999	DeShon	24/17 AP
D465,986 S *	11/2002	Tsai	D8/107
D467,486 S *	12/2002	Mathieu et al.	D8/83
6,565,458 B1 *	5/2003	Cameron	473/408
6,899,574 B1 *	5/2005	Kalis et al.	440/6
6,994,639 B2 *	2/2006	Parks et al.	473/408
D525,861 S *	8/2006	Mackey et al.	D8/367
D531,004 S *	10/2006	Wang	D8/107

D531,886 S *	11/2006	Harju	D8/382
D533,076 S *	12/2006	Awbrey et al.	D9/719
D538,137 S *	3/2007	Dukes	D8/356
D540,662 S *	4/2007	Pontaoe	D8/383
D548,067 S *	8/2007	Komulainen	D8/382
D556,020 S *	11/2007	Whitney	D8/356
D572,907 S *	7/2008	Byrne	D4/199
D575,088 S *	8/2008	Saulnier	D6/547
D575,132 S *	8/2008	Panier	D8/107
2006/0081667 A1 *	4/2006	Lai et al.	224/269

* cited by examiner

Primary Examiner—T. Chase Nelson

Assistant Examiner—Karen Acker

(74) *Attorney, Agent, or Firm*—Renner, Otto, Boisselle & Sklar, LLP

(57) **CLAIM**

The ornamental design for a bungee cord tool, as shown and described.

DESCRIPTION

FIG. 1 is a perspective view of a bungee cord tool showing my new design.

FIG. 2 is a side elevation view of one side thereof, the opposite side being a mirror image.

FIG. 3 is a top plan view thereof.

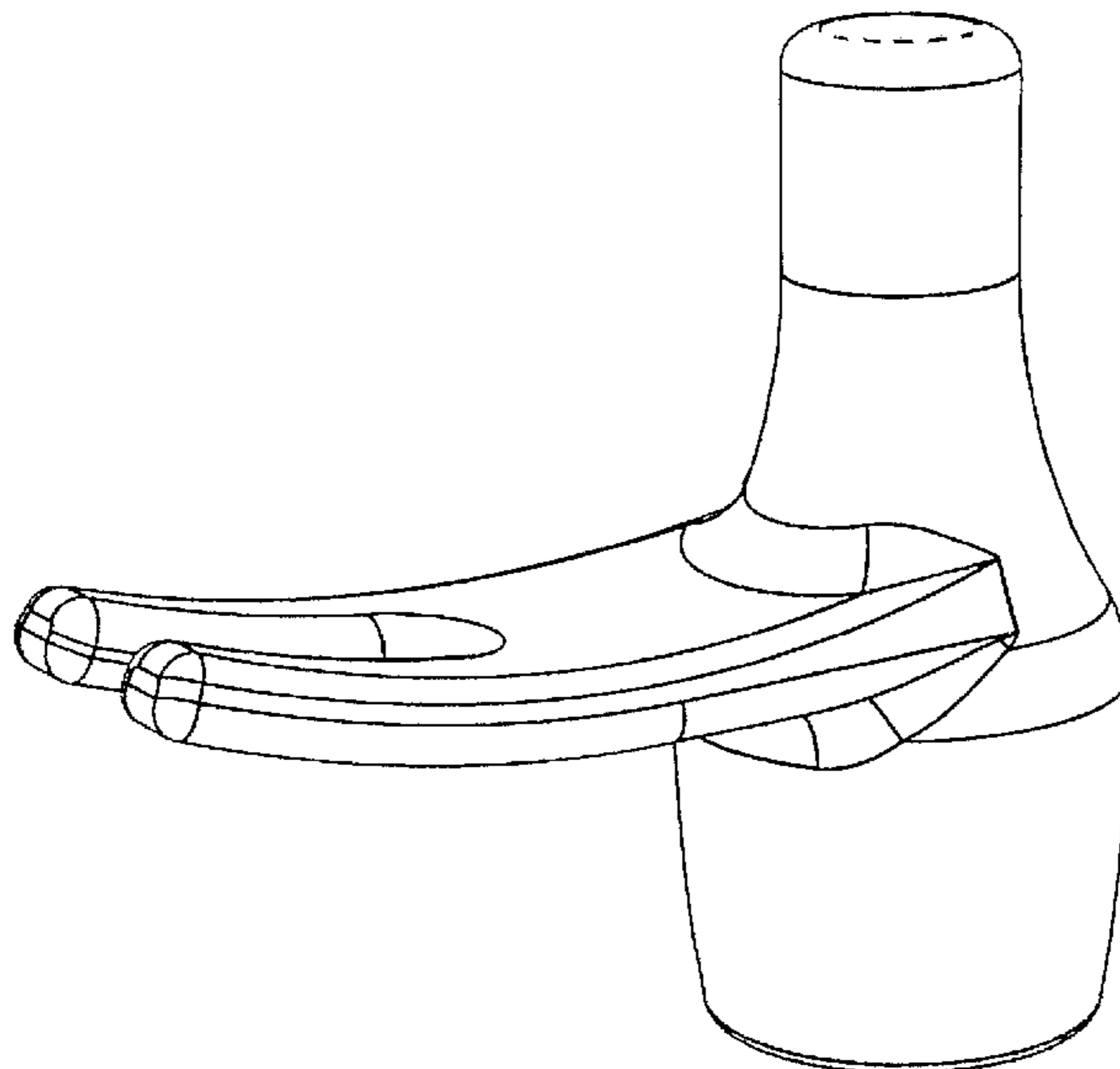
FIG. 4 is a bottom plan view thereof.

FIG. 5 is an end elevation view from the left end of FIG. 2; and,

FIG. 6 is an end elevation view from the right end of FIG. 2.

The broken lines forming curvilinear shapes in FIGS. 1, 3 and 4 represent internal boundaries of the design. The broken lines and the areas within the broken lines form no part of the claimed design.

1 Claim, 4 Drawing Sheets



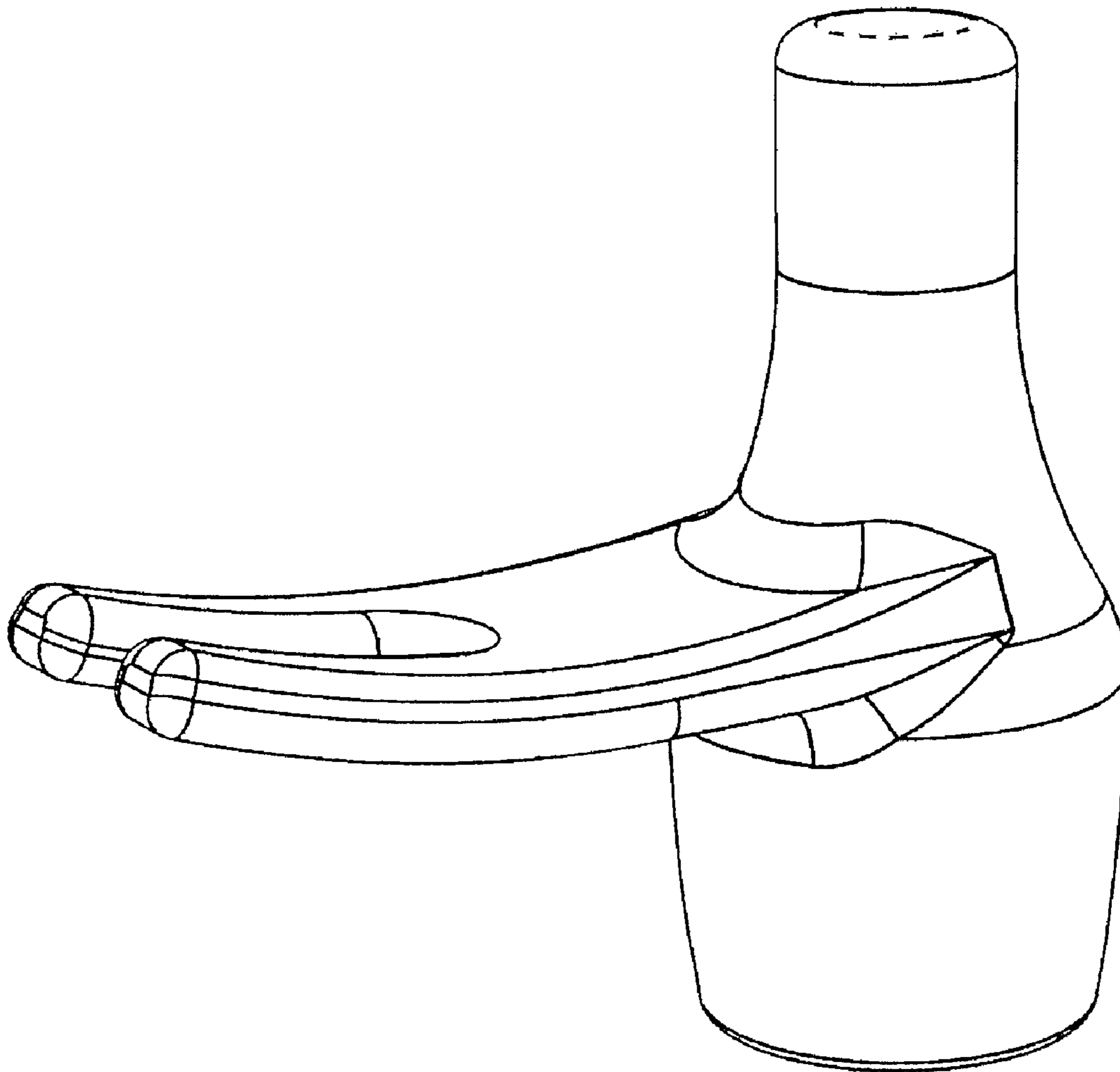


FIG. 1

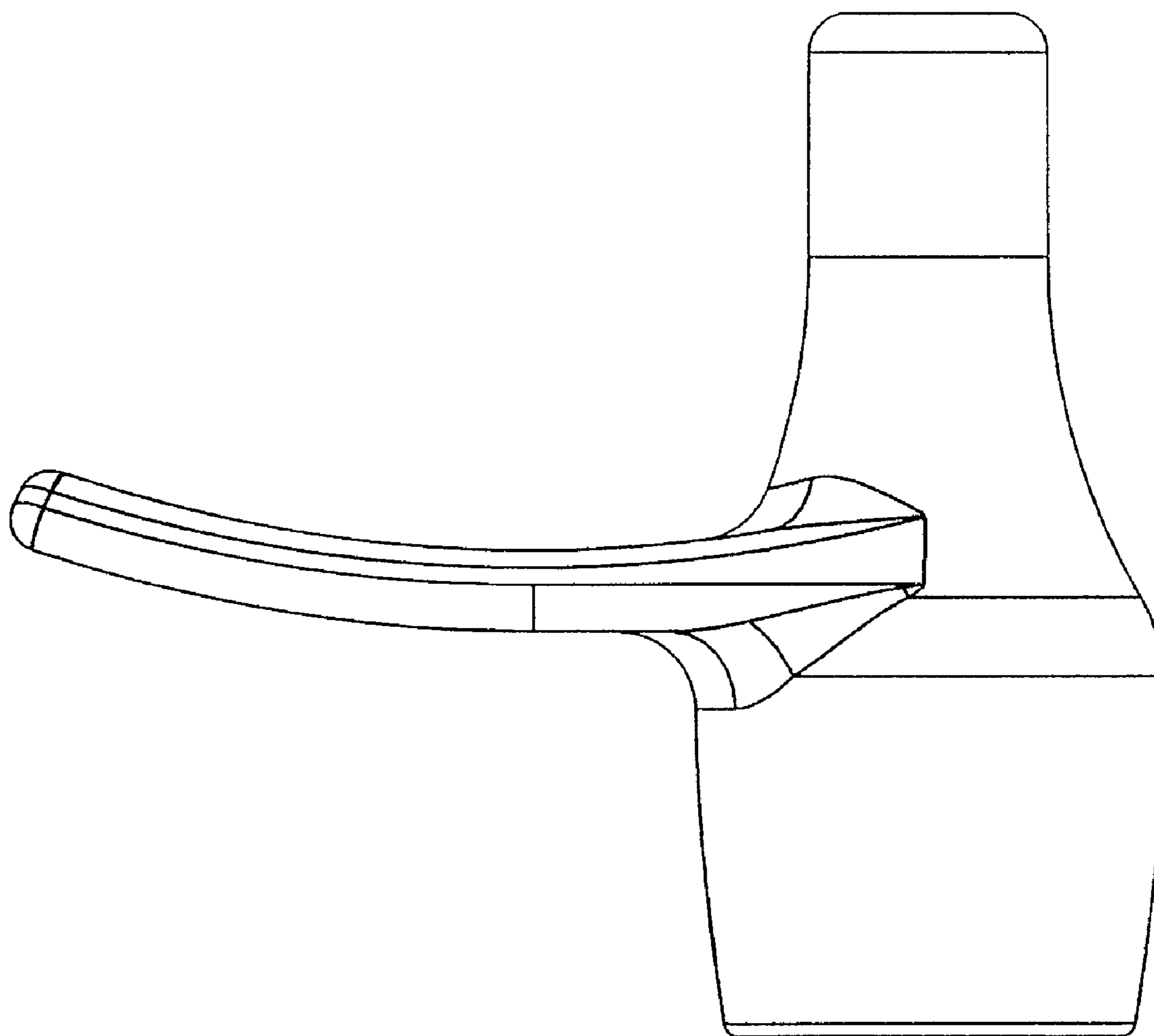


FIG. 2

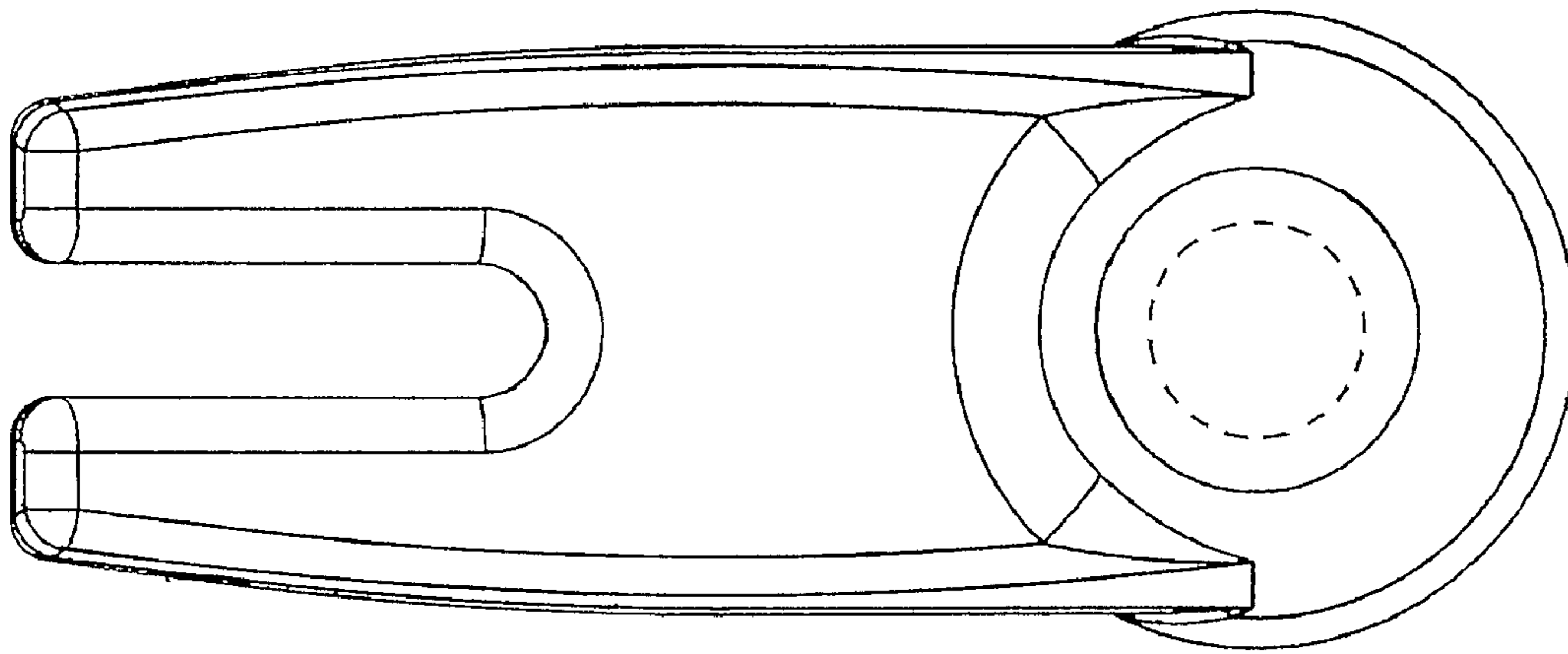


FIG. 3

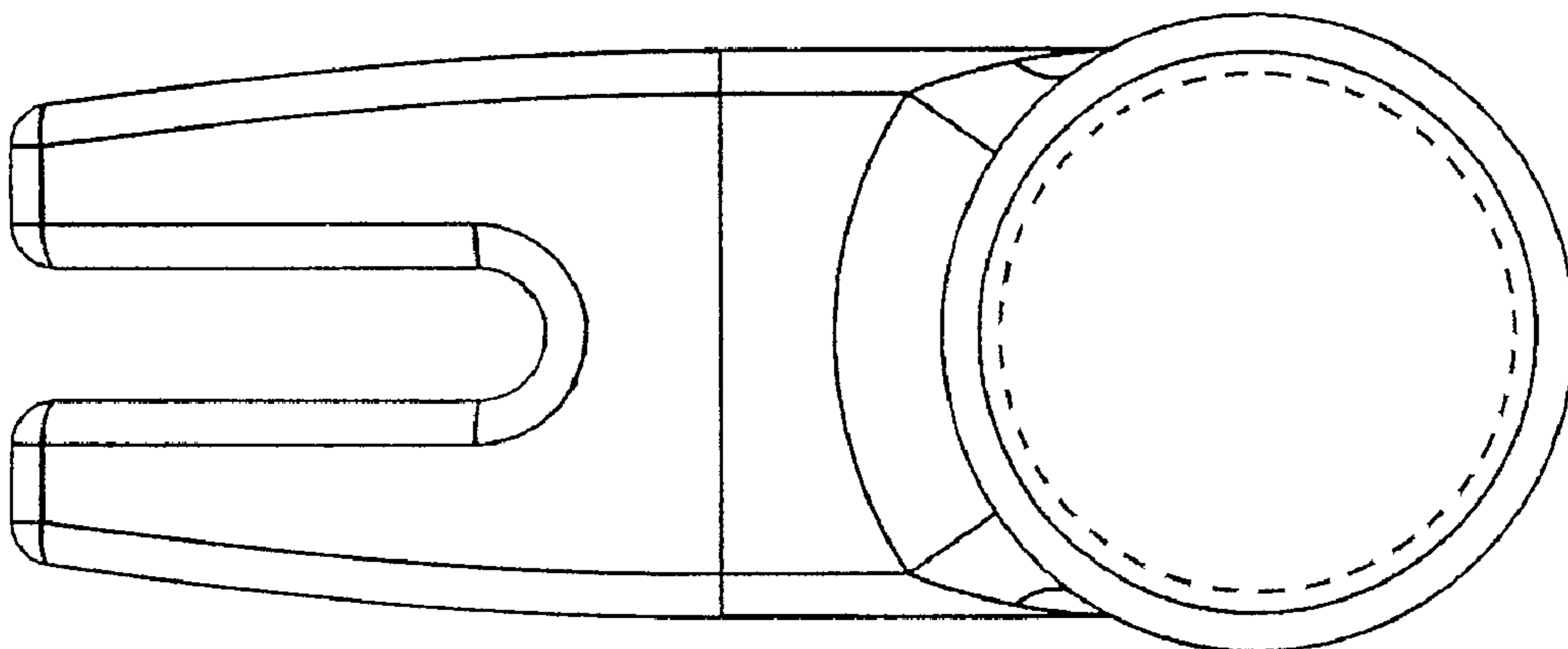


FIG. 4

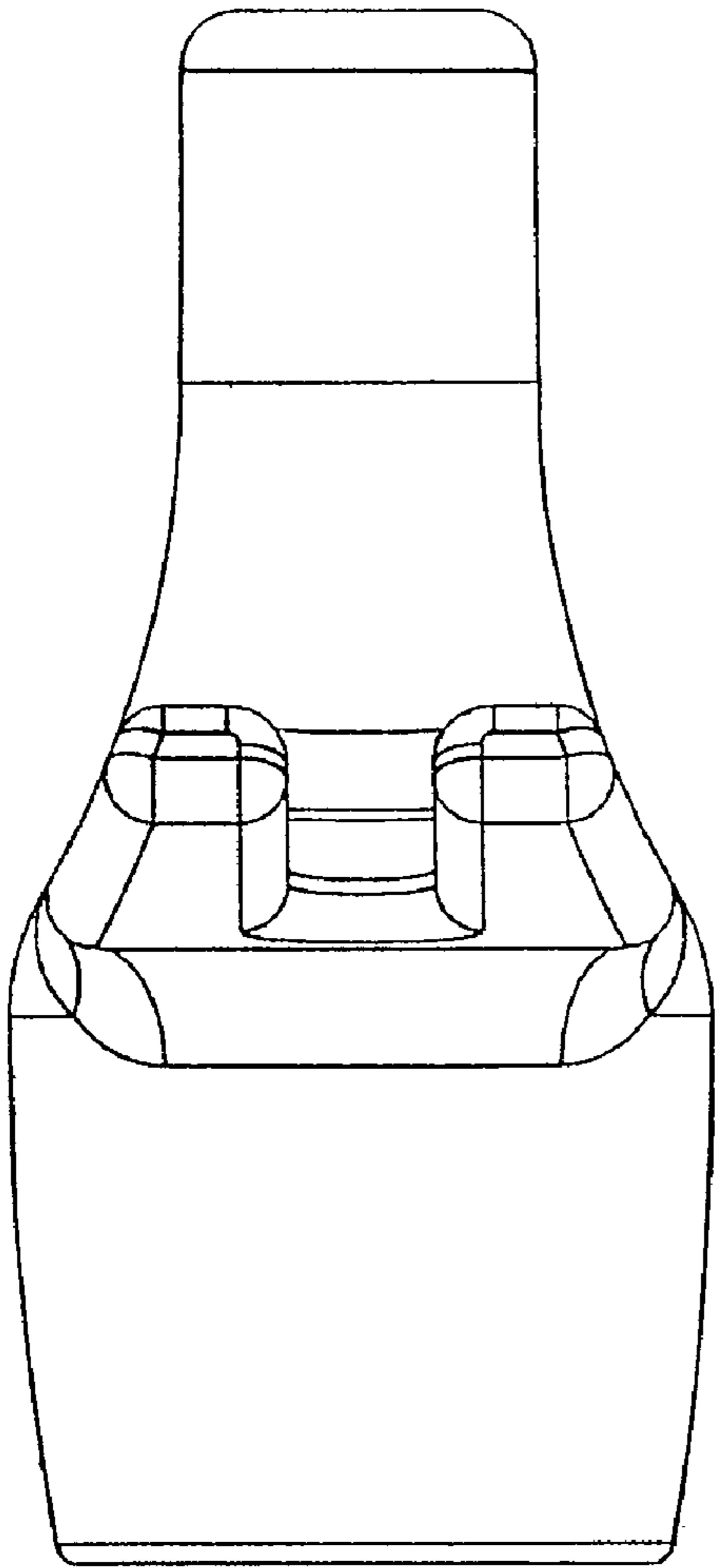


FIG. 5

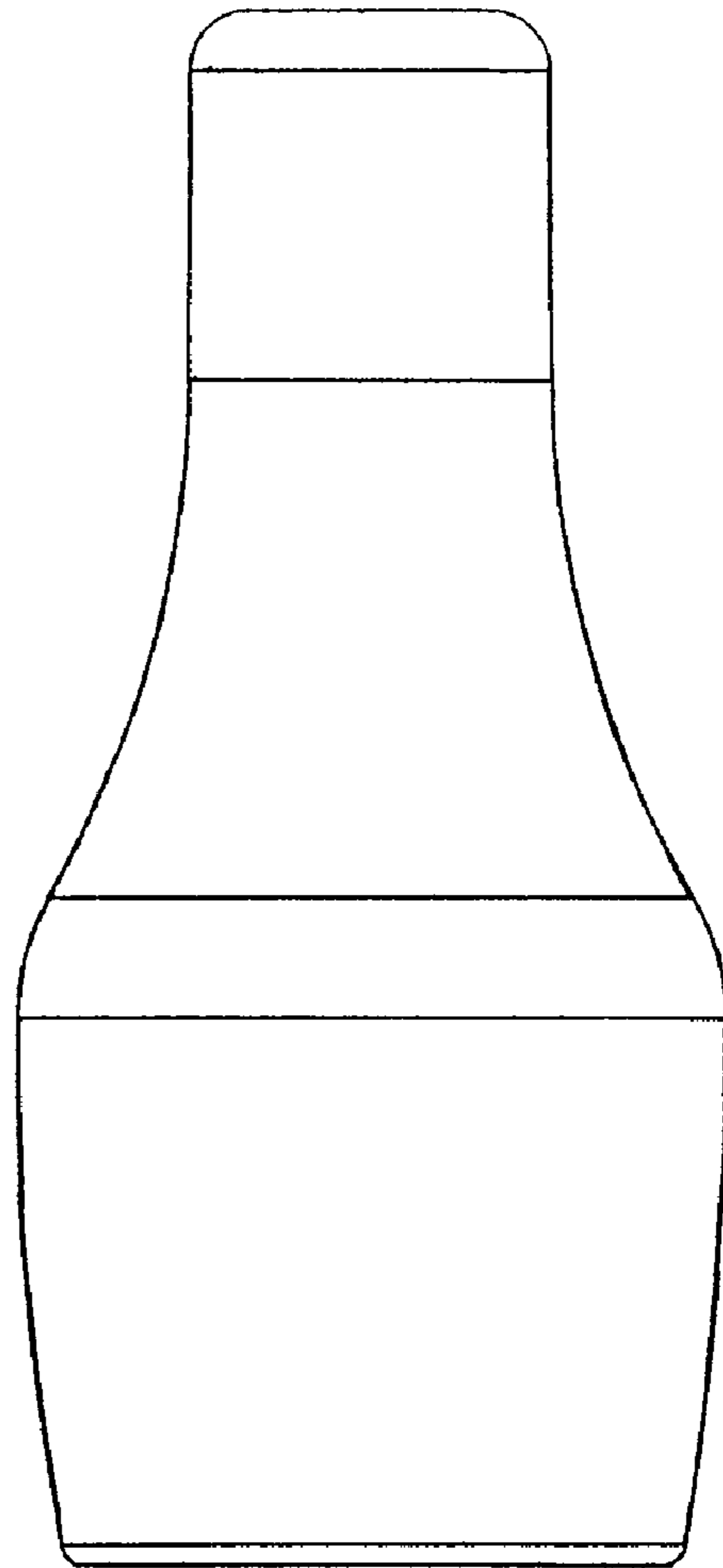


FIG. 6