



US00D587100S

(12) **United States Design Patent**
Allsopp

(10) **Patent No.:** **US D587,100 S**
(45) **Date of Patent:** **** Feb. 24, 2009**

(54) **WINDOW BLIND FRAME CLIP**
(75) Inventor: **Reginald Charles Allsopp**, Stockport
(GB)

1,531,411 A * 3/1925 Perry 439/799
1,622,632 A * 3/1927 Fahnestock 439/828
D140,381 S * 2/1945 Anderson D8/383

(73) Assignee: **Louver-Lite Limited**, Cheshire (GB)

(Continued)

(**) Term: **14 Years**

FOREIGN PATENT DOCUMENTS

(21) Appl. No.: **29/248,161**

CA 2359549 4/2003

(22) Filed: **Jul. 31, 2006**

(Continued)

(30) **Foreign Application Priority Data**
Jan. 30, 2006 (EM) 473541-0003

Primary Examiner—T. Chase Nelson
Assistant Examiner—Karen Acker
(74) *Attorney, Agent, or Firm*—Haugen Law Firm PLLP

(51) **LOC (9) Cl.** **08-05**
(52) **U.S. Cl.** **D8/356; D8/394**
(58) **Field of Classification Search** D8/105,
D8/107, 333, 349, 354, 356, 358, 360, 360.1,
D8/367, 373, 382, 383, 394–396, 400; D23/261;
D26/38; 24/18, 197, 561; 174/153 G, 650,
174/656, 135; 242/400.1, 405.1, 405.2, 600,
242/603, 604, 604.1, 607, 608, 608.6, 608.7,
242/609, 916; 248/65, 74.1–74.4, 201, 214,
248/215, 229.26, 302, 304, 316.7, 316.8;
439/367, 369, 371, 472; 211/119; D13/153;
224/268, 269, 666; D6/580
See application file for complete search history.

(57) **CLAIM**

The ornamental design for a window blind frame clip, as shown and described.

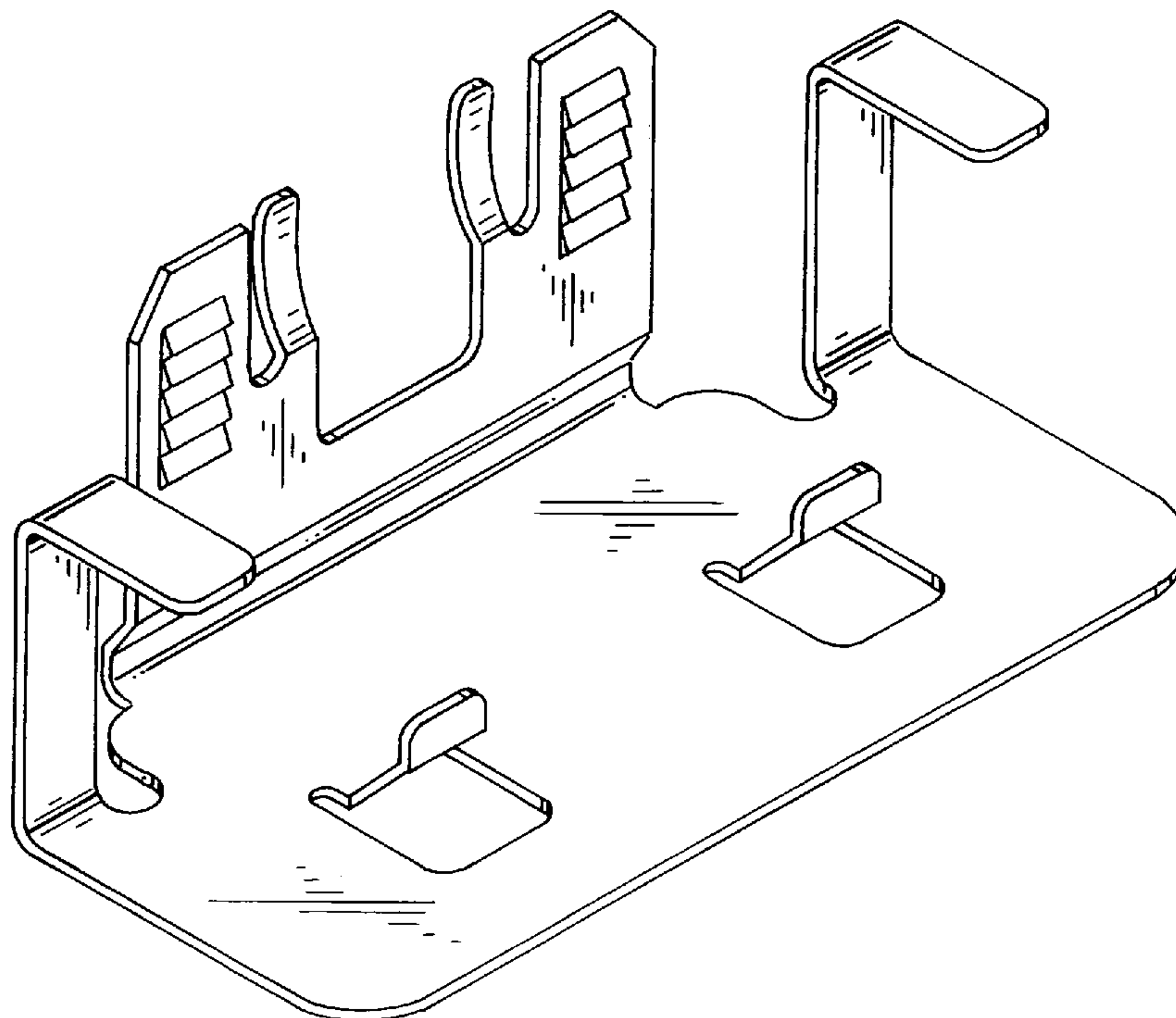
(56) **References Cited**
U.S. PATENT DOCUMENTS

DESCRIPTION

FIG. 1 is a lower front perspective view of the design;
FIG. 2 is a bottom view of the design;
FIG. 3 is a lower rear perspective view of the design;
FIG. 4 is a front view of the design;
FIG. 5 is a side view of the design;
FIG. 6 is a rear view of the design; and,
FIG. 7 is an upper front perspective view of the design.

1,161,559 A * 11/1915 Weigel 24/570

1 Claim, 7 Drawing Sheets



US D587,100 S

Page 2

U.S. PATENT DOCUMENTS

2,596,438 A 5/1952 Roillings
2,863,202 A * 12/1958 Hanna 248/300
2,875,493 A * 3/1959 Meyer 24/295
3,490,797 A * 1/1970 Platte 52/282.1
D234,337 S * 2/1975 Block D8/382
4,175,303 A * 11/1979 Benedetti 24/293
4,278,316 A * 7/1981 White 439/831
D272,414 S * 1/1984 Barnes D8/363
D291,410 S * 8/1987 Czyborra D8/394
4,894,747 A * 1/1990 Livesey et al. 361/673
5,000,242 A 3/1991 Coddens
D340,226 S * 10/1993 Sachs D13/154
5,282,504 A 2/1994 Anderson et al.
5,370,345 A * 12/1994 Condon 248/65
D359,444 S * 6/1995 Johansson D8/382
5,479,979 A 1/1996 Hayashiguchi et al.
D376,085 S * 12/1996 King, Jr. D8/71
D378,053 S * 2/1997 Forbis D8/395
D389,731 S * 1/1998 Forbis D8/395
5,707,169 A * 1/1998 Schweighofer et al. 403/391
6,378,828 B1 * 4/2002 Valiulis et al. 248/231.81
D469,343 S * 1/2003 Zadak D8/373
D471,431 S * 3/2003 Valiulis et al. D8/349
D472,791 S * 4/2003 Callahan et al. D8/349
D473,124 S * 4/2003 Wu et al. D8/356
6,629,809 B2 * 10/2003 Vassiliou 411/173
D486,791 S * 2/2004 Franks, Jr. D13/133
D490,695 S * 6/2004 DeBiasio, Jr. D8/373
D492,189 S * 6/2004 Weremchuk et al. D8/371
6,817,401 B2 11/2004 Sun et al.

D502,388 S * 3/2005 Cortez et al. D8/356
6,899,305 B2 * 5/2005 Korczak et al. 248/68.1
6,901,638 B2 * 6/2005 Itou et al. 24/570
D523,329 S * 6/2006 Klippel et al. D8/394
7,082,982 B2 8/2006 Eveland
D543,447 S * 5/2007 Allsopp D8/394
D553,969 S * 10/2007 Allsopp D8/394
D553,970 S * 10/2007 Allsopp D8/395
D557,116 S * 12/2007 Zakowski et al. D8/354
D557,117 S * 12/2007 Cannaverde et al. D8/354
7,336,484 B2 * 2/2008 McAnally et al. 361/686
2001/0030028 A1 10/2001 Poppema
2003/0075281 A1 4/2003 Goldenberg Shaul et al.
2004/0154753 A1 8/2004 Tagtow et al.
2004/0211531 A1 10/2004 Dybdahl
2004/0238131 A1 12/2004 Eveland

FOREIGN PATENT DOCUMENTS

CA 2542245 4/2003
DE 10126006 5/2001
EP 0942141 9/1999
EP EC 000473541-0001 1/2006
EP EC 000473541-0002 1/2006
EP EC 000473541-0003 1/2006
EP EC 000473541-0004 1/2006
NL 1023743 6/2003
NO EC-463120-0001 * 1/2006
SK EC-3404840-0003 * 6/2005
WO WO 93/18270 9/1993

* cited by examiner

Fig.-1

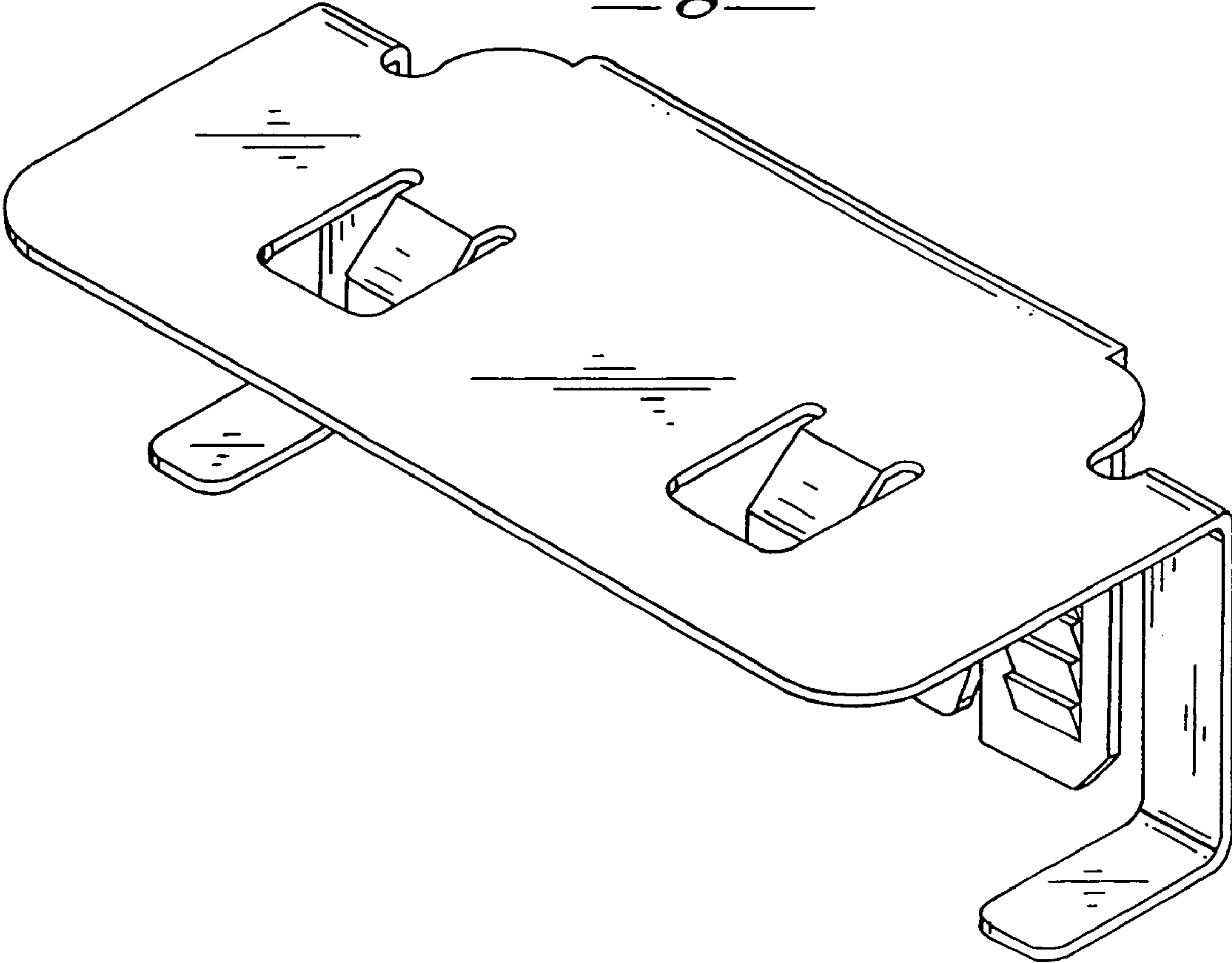


Fig.-2

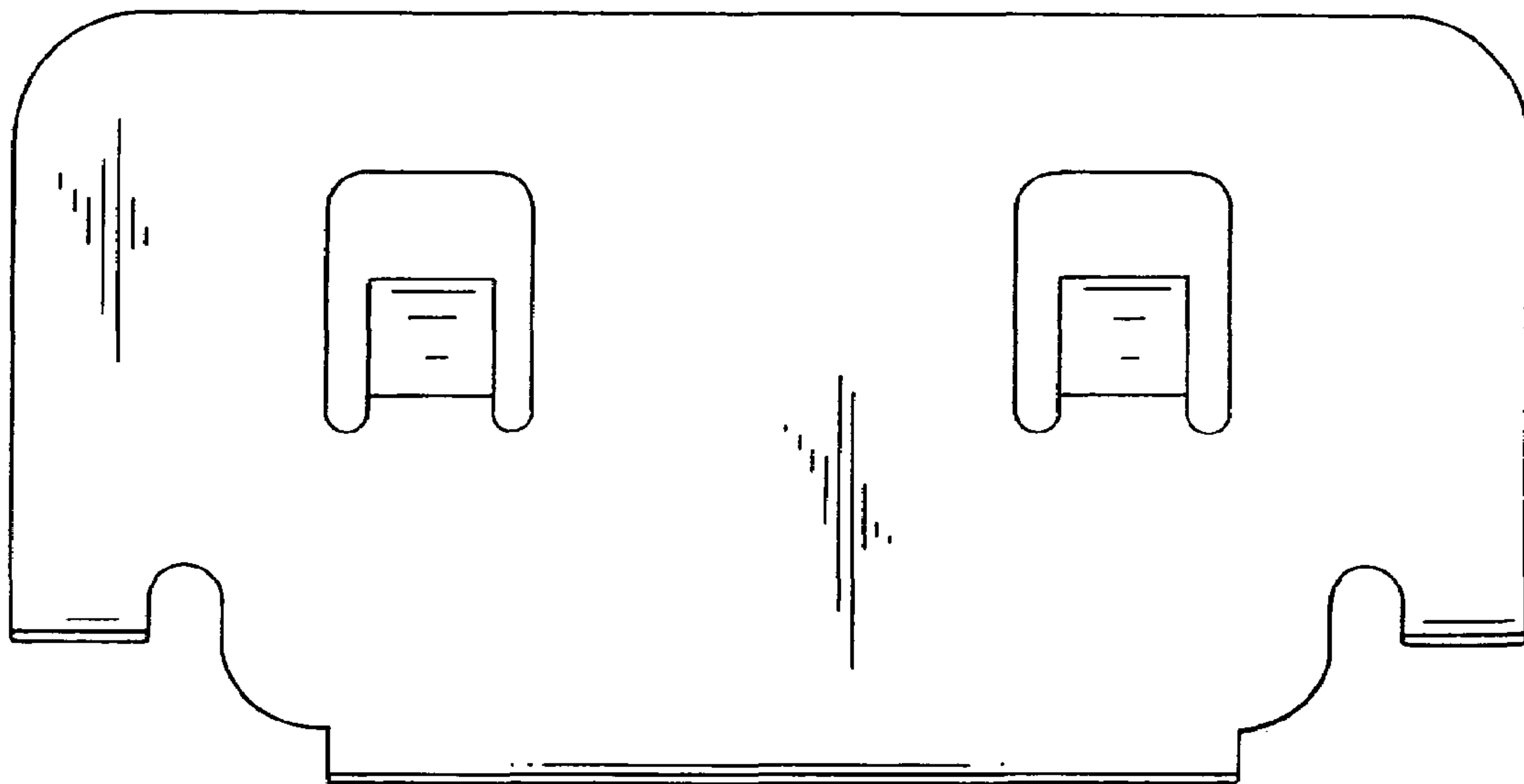


Fig. - 3

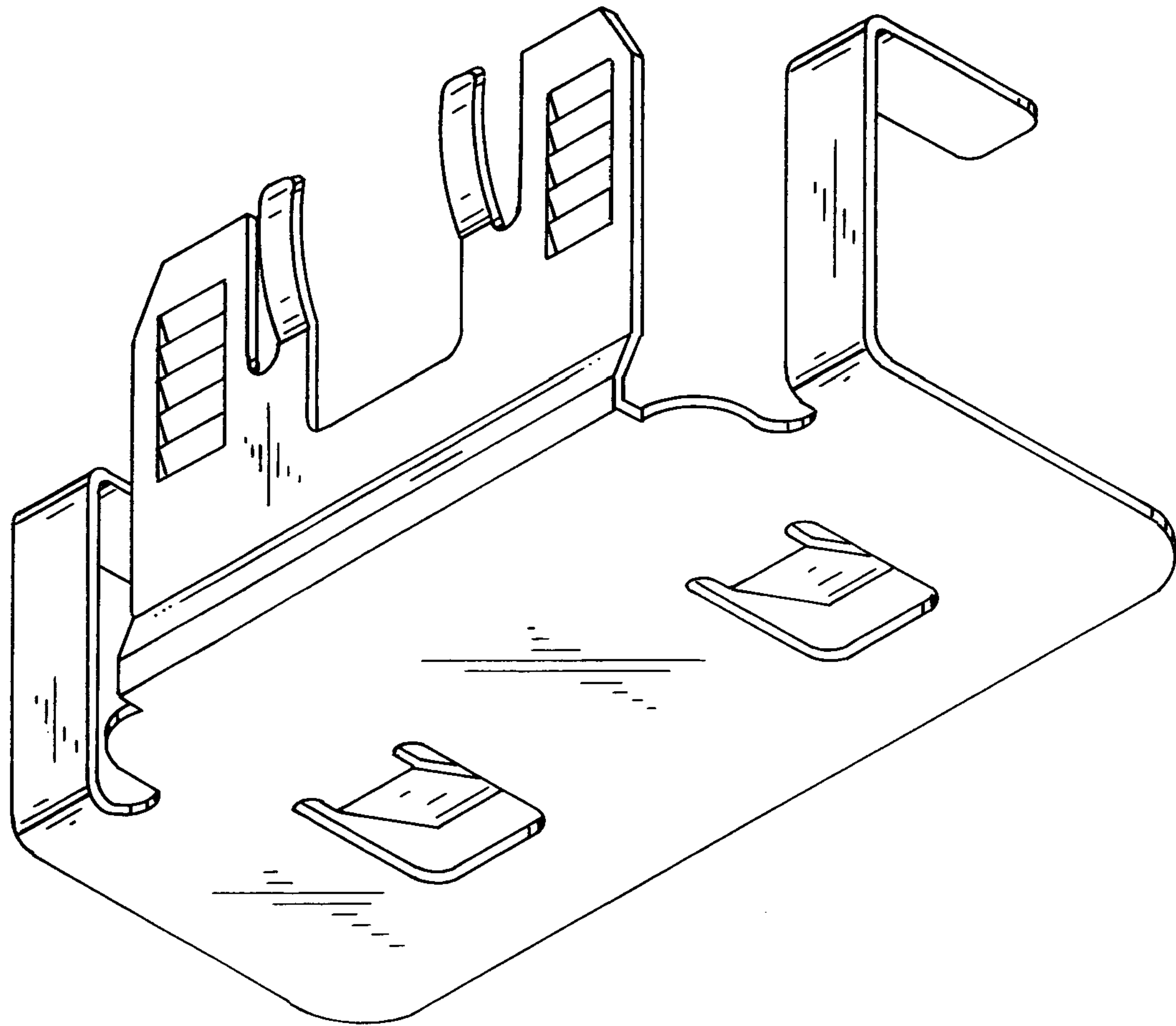


Fig.-4

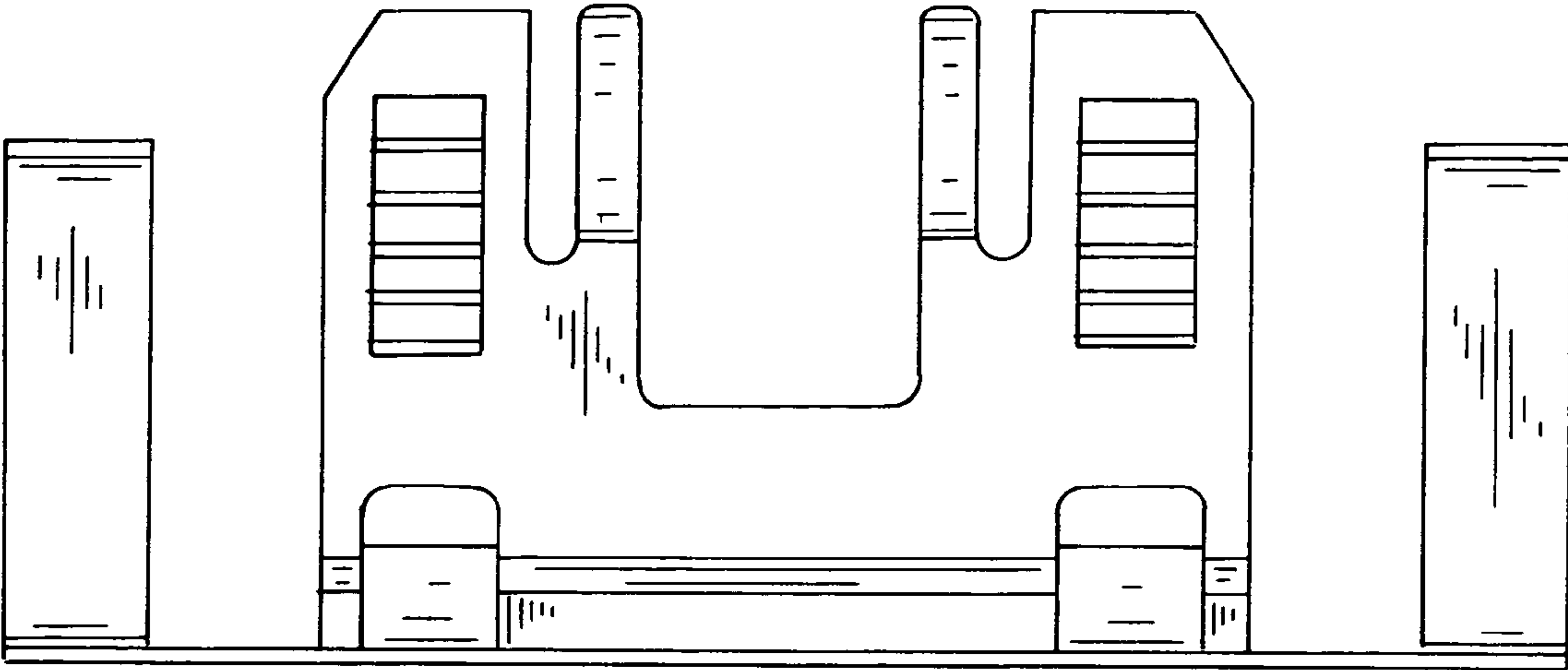


Fig. -5

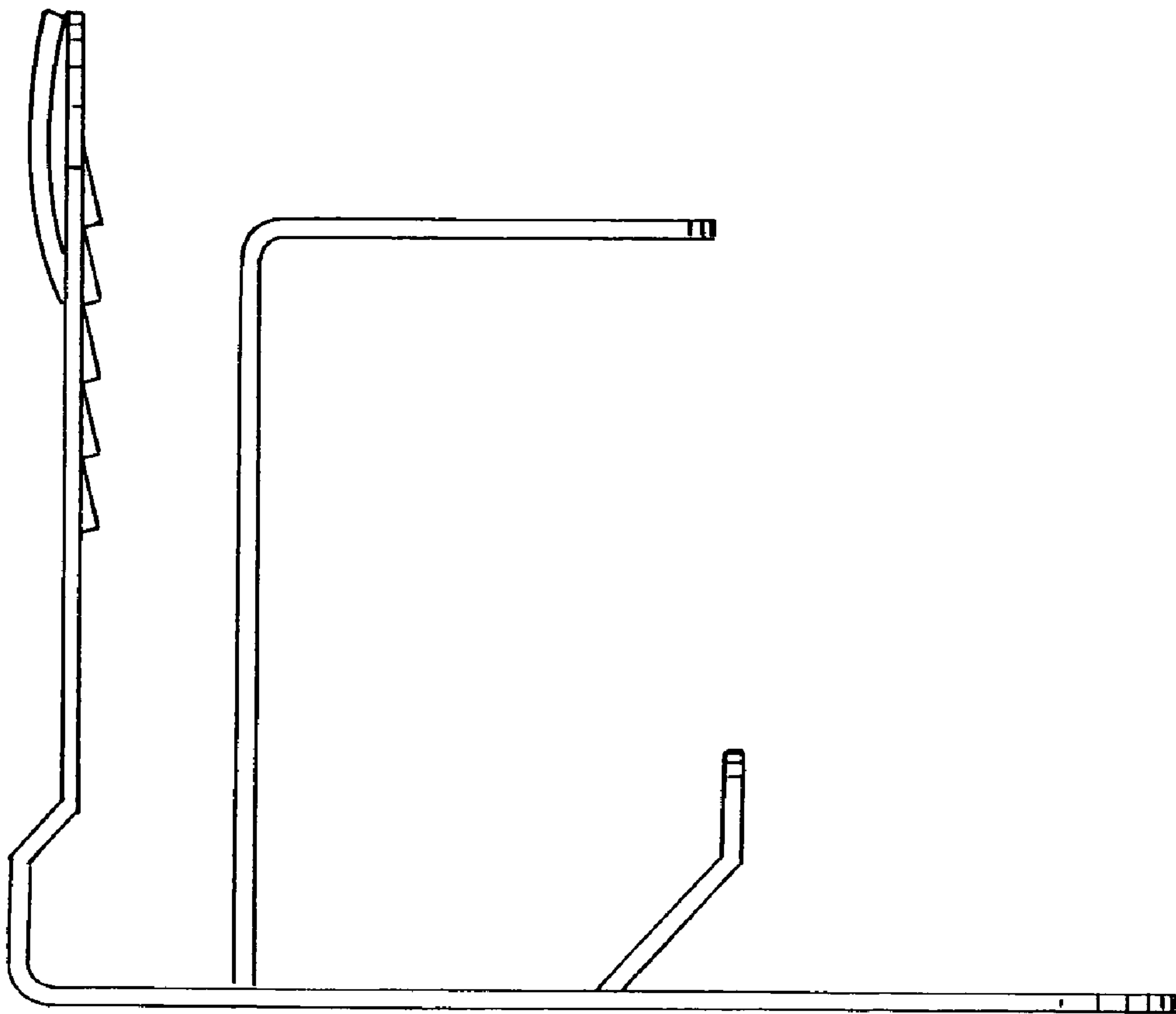


Fig.-6

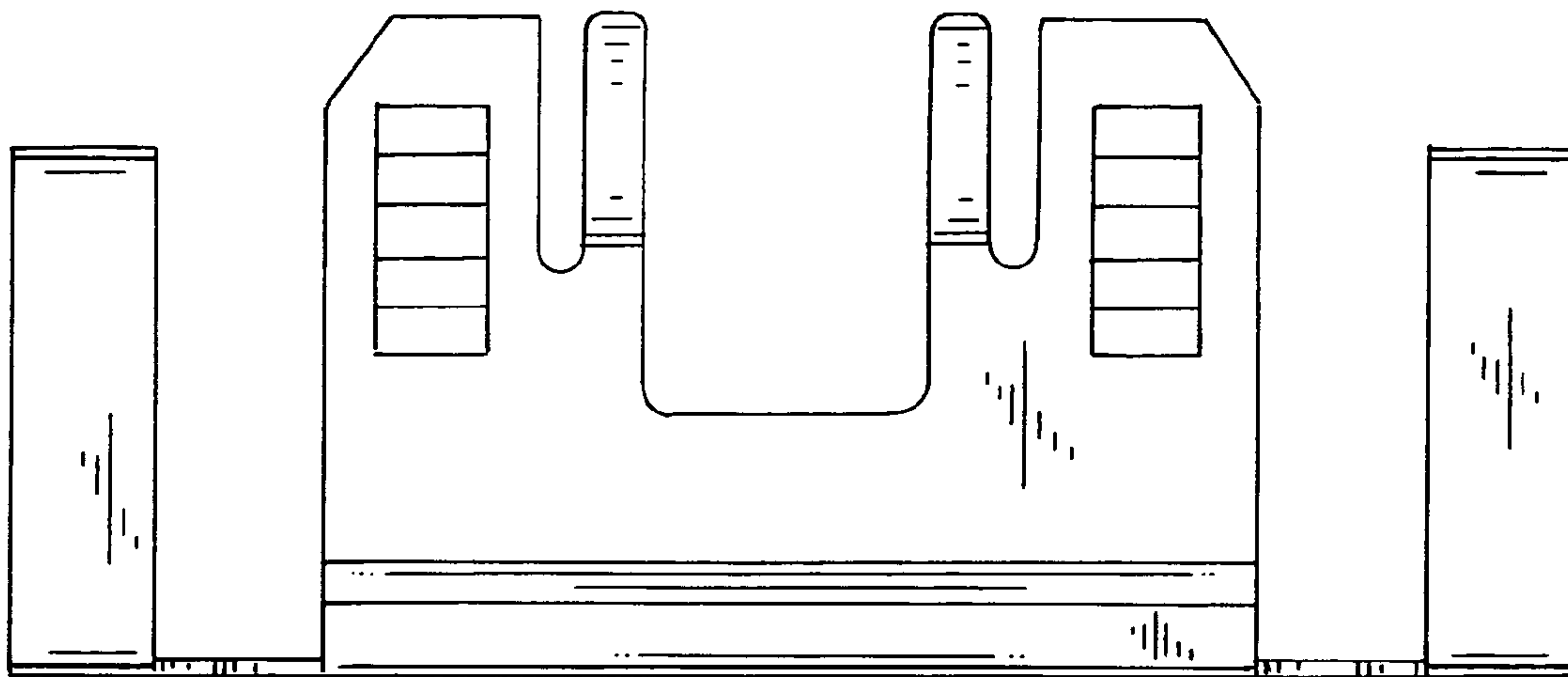


Fig.-7

