



US00D587096S

(12) **United States Design Patent**
Smith

(10) **Patent No.:** **US D587,096 S**

(45) **Date of Patent:** **** Feb. 24, 2009**

(54) **SCAFFOLDING BRACKET**

(75) Inventor: **Gordon Smith**, Irvine (GB)

(73) Assignee: **Roof Profiles Limited**, Irvine, Ayrshire (GB)

(**) Term: **14 Years**

(21) Appl. No.: **29/292,913**

(22) Filed: **Nov. 1, 2007**

(30) **Foreign Application Priority Data**

May 1, 2007 (EM) 000715883-0001

(51) **LOC (9) Cl.** **08-05**

(52) **U.S. Cl.** **D8/354**

(58) **Field of Classification Search** D8/349,
D8/354, 382, 394, 396; D25/62, 66, 68,
D25/131; 248/214, 235, 236, 241, 245, 295.11,
248/296.1, 297.11, 297.21, 297.31, 297.51;
182/82, 118, 141

See application file for complete search history.

(56) **References Cited**

U.S. PATENT DOCUMENTS

3,872,947 A * 3/1975 Cranfield 182/82

4,432,435 A * 2/1984 Anderson 182/82
D272,987 S * 3/1984 Allen D8/354
D419,243 S * 1/2000 Goch D25/68
D422,885 S * 4/2000 Marino et al. D8/354
D435,433 S * 12/2000 Miller et al. D8/354
D487,161 S * 2/2004 Svedberg D25/131

* cited by examiner

Primary Examiner—Holly H Baynham

Assistant Examiner—Cynthia M Chin

(74) *Attorney, Agent, or Firm*—Workman Nydegger

(57) **CLAIM**

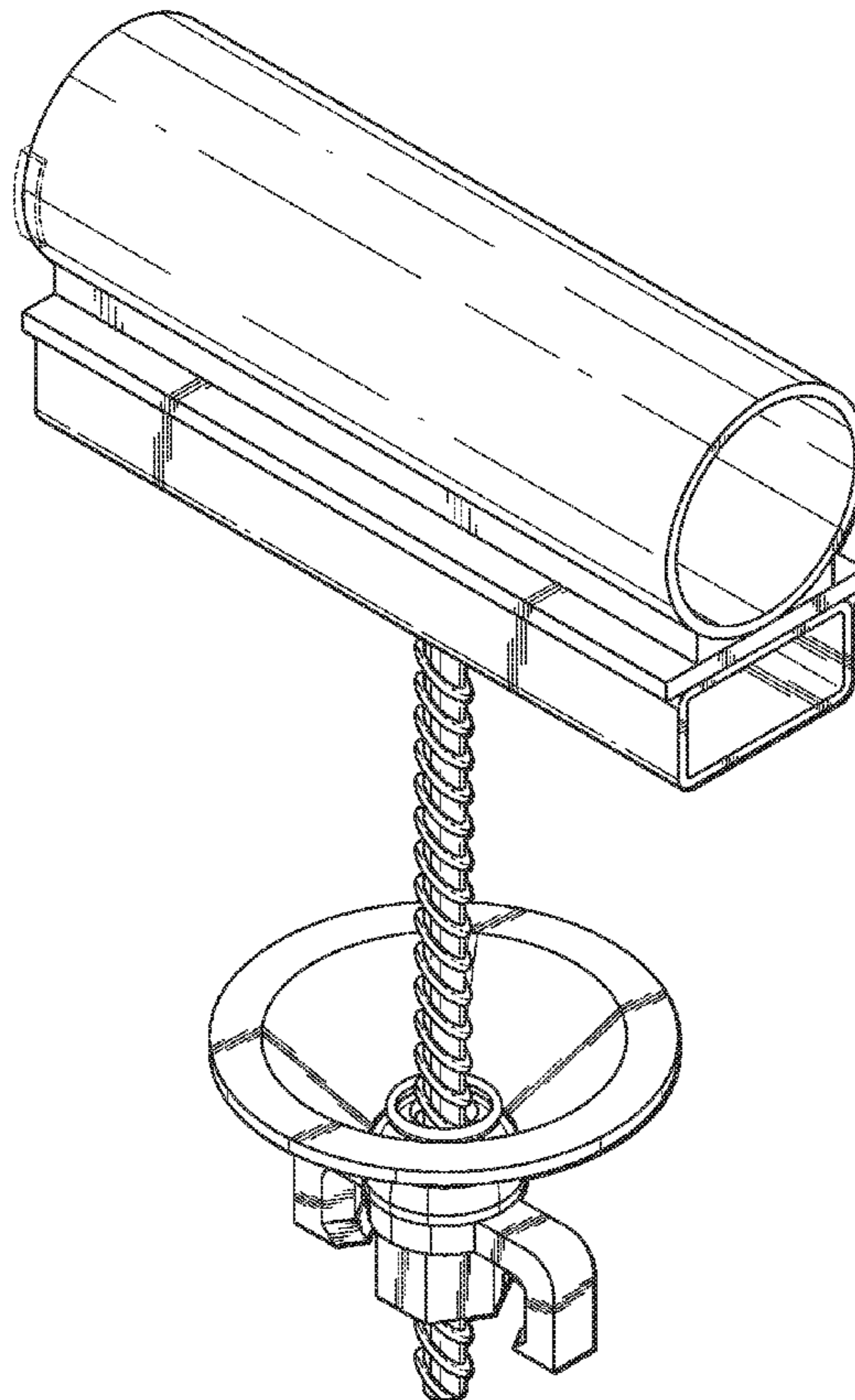
The ornamental design for a scaffolding bracket, as shown and described.

DESCRIPTION

FIG. 1 is a front perspective view of the scaffolding bracket; FIG. 2 is a side view of the scaffolding bracket of FIG. 1; and, FIG. 3 is an end view of the scaffolding bracket of FIG. 1.

The objects shown in broken, phantom lines are shown for environmental purposes only and form no part of the claimed design.

1 Claim, 3 Drawing Sheets



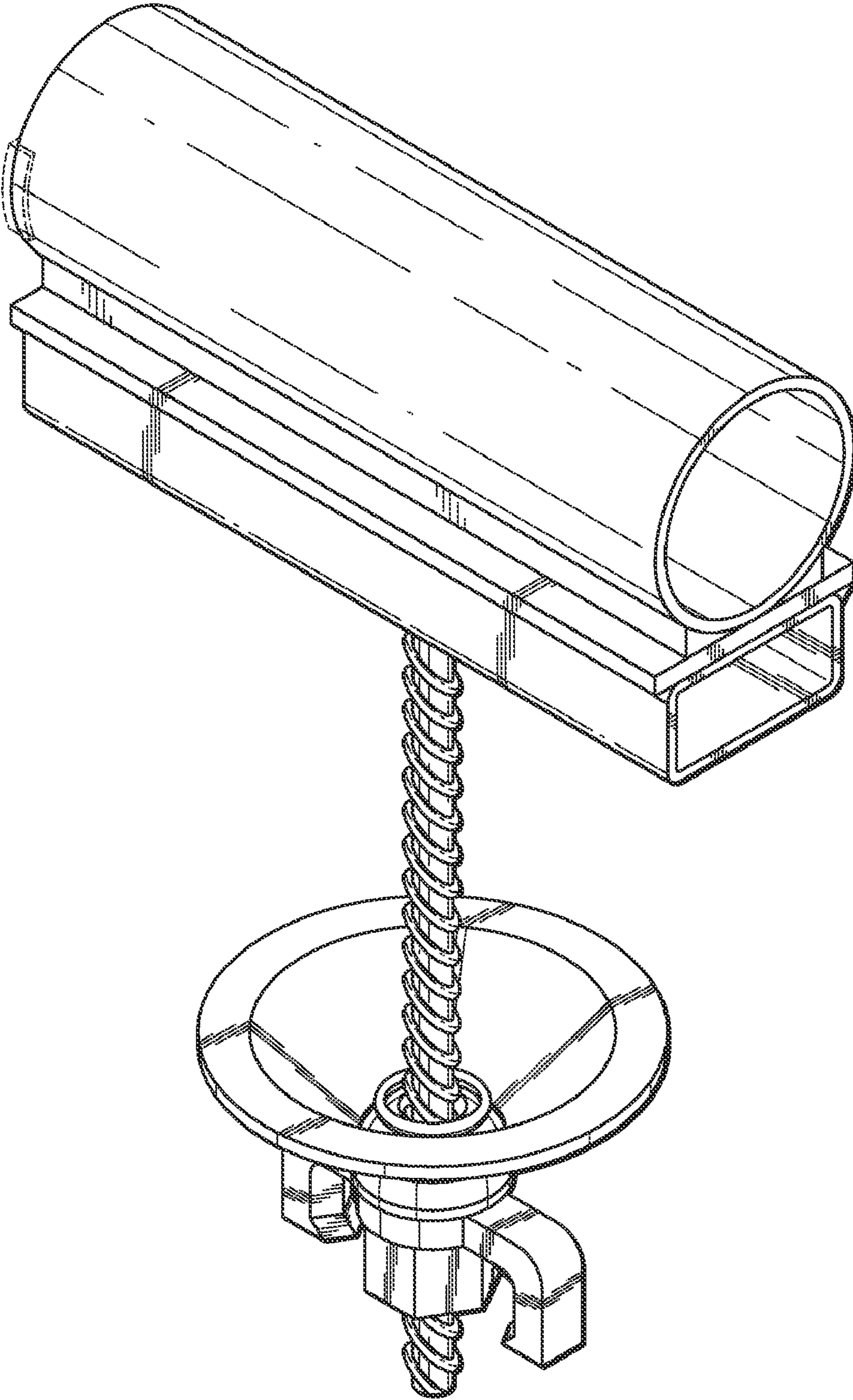


Fig. 1

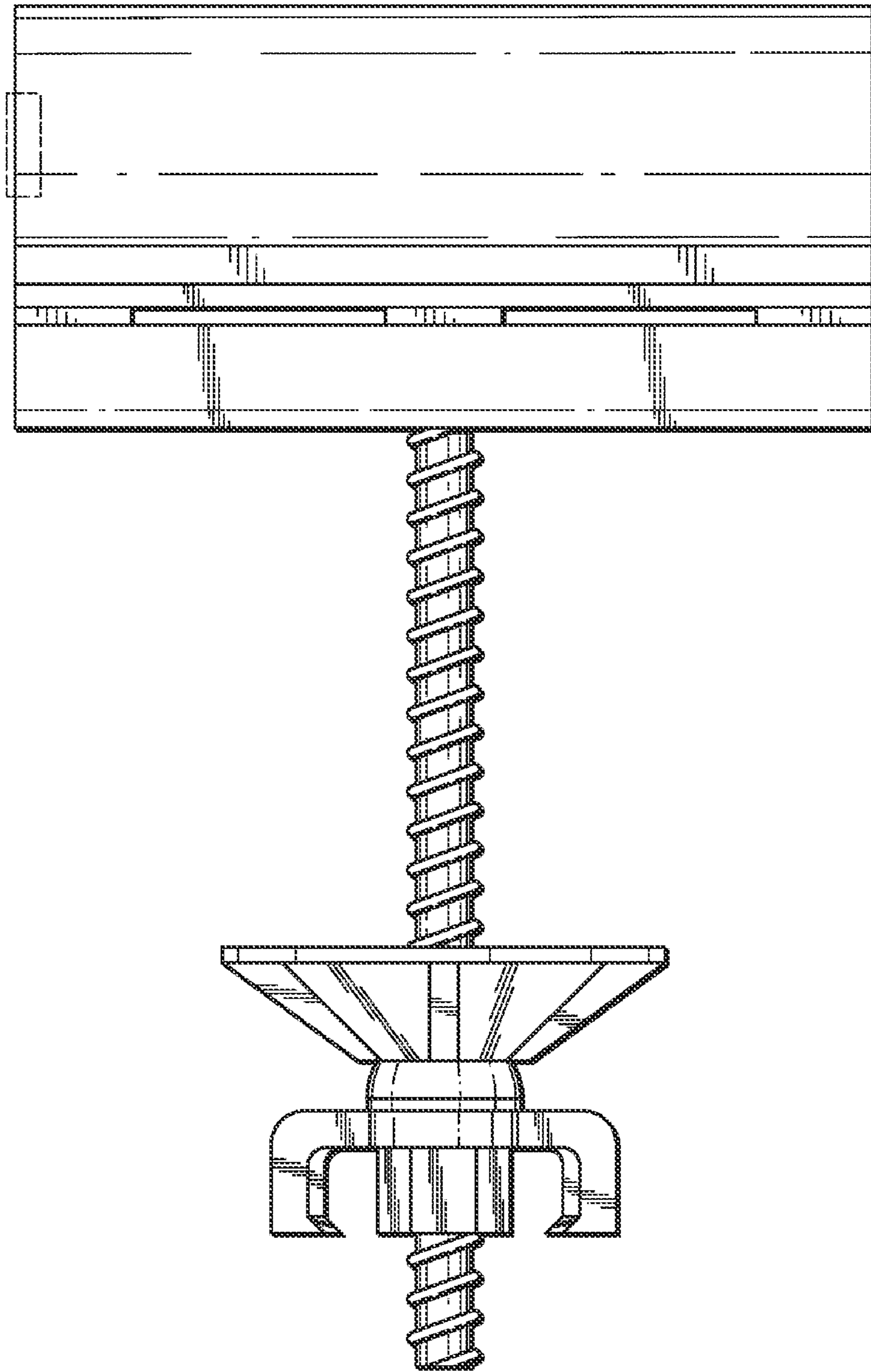


Fig. 2

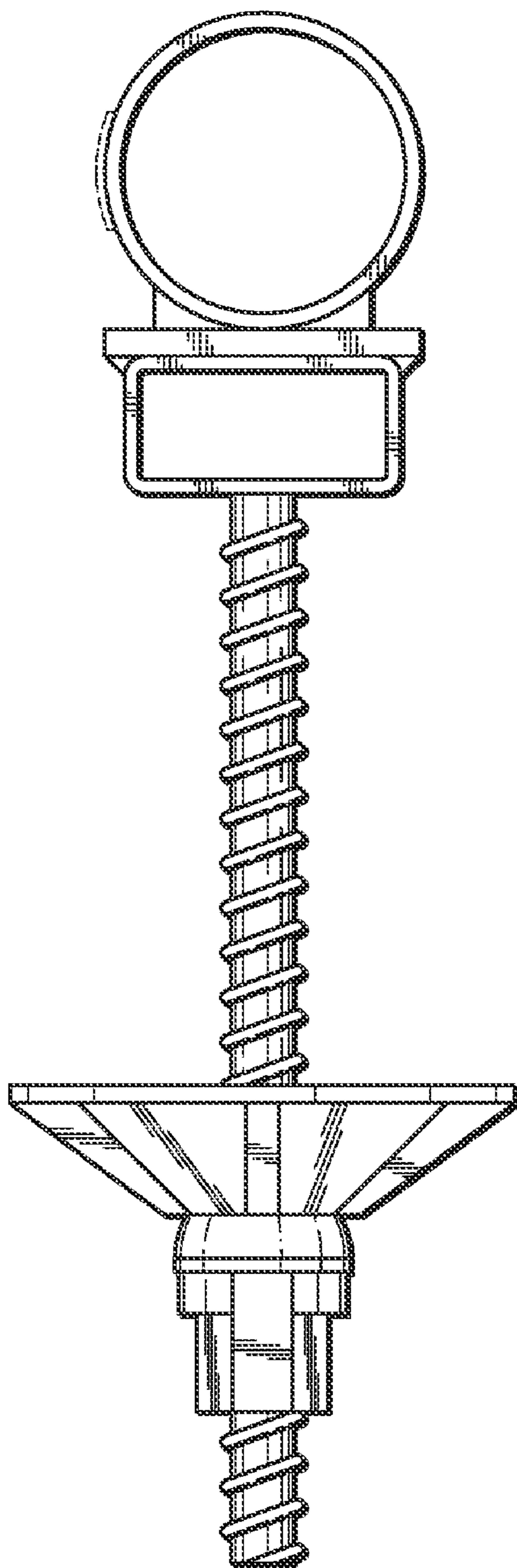


Fig. 3