



US00D587094S

(12) **United States Design Patent**
Fonk et al.

(10) **Patent No.:** **US D587,094 S**

(45) **Date of Patent:** **** Feb. 24, 2009**

(54) **UPRIGHT SHACKLE ASSEMBLY**

(75) Inventors: **Michael Edward Fonk**, Harrison Township, MI (US); **Mark David Belanger**, Berkley, MI (US); **Gary Michael Ray**, Royal Oak, MI (US); **Mark Clayton Johnston**, Grosse Pointe Woods, MI (US)

(73) Assignee: **Machining Enterprise Inc.**, Warren, MI (US)

(**) Term: **14 Years**

(21) Appl. No.: **29/306,903**

(22) Filed: **Apr. 18, 2008**

(51) **LOC (9) Cl.** **08-07**

(52) **U.S. Cl.** **D8/330; D8/331; D8/339**

(58) **Field of Classification Search** **D8/330, D8/331, 334, 336, 339, 343; 70/14, 20, 24, 70/25, 35, 33, 51, 53, 57.1, 58, 141, 233**
See application file for complete search history.

(56) **References Cited**

U.S. PATENT DOCUMENTS

2,407,406 A * 9/1946 Dutton 70/38 B
D258,715 S * 3/1981 Gipson D8/333
D306,129 S * 2/1990 Bobrowski et al. D8/338
4,953,900 A * 9/1990 Pickett 292/307 R

5,253,496 A * 10/1993 Wang 70/38 R
5,904,112 A * 5/1999 Tylaska et al. 114/108
D419,425 S * 1/2000 Clark et al. D8/343
6,619,084 B2 * 9/2003 Kuo 70/233
7,134,268 B2 * 11/2006 Siappas 59/86
D548,044 S * 8/2007 Tang D8/343
2006/0101799 A1 * 5/2006 Siappas 59/86

* cited by examiner

Primary Examiner—Prabhakar Deshmukh

(74) *Attorney, Agent, or Firm*—Brooks Kushman P.C.

(57) **CLAIM**

The design for an upright shackle assembly, as shown and described.

DESCRIPTION

FIG. 1 is a top, front and right perspective view of an upright shackle assembly showing our new design;

FIG. 2 is a left front quartering view thereof;

FIG. 3 is a left side elevational view thereof;

FIG. 4 is a front view thereof;

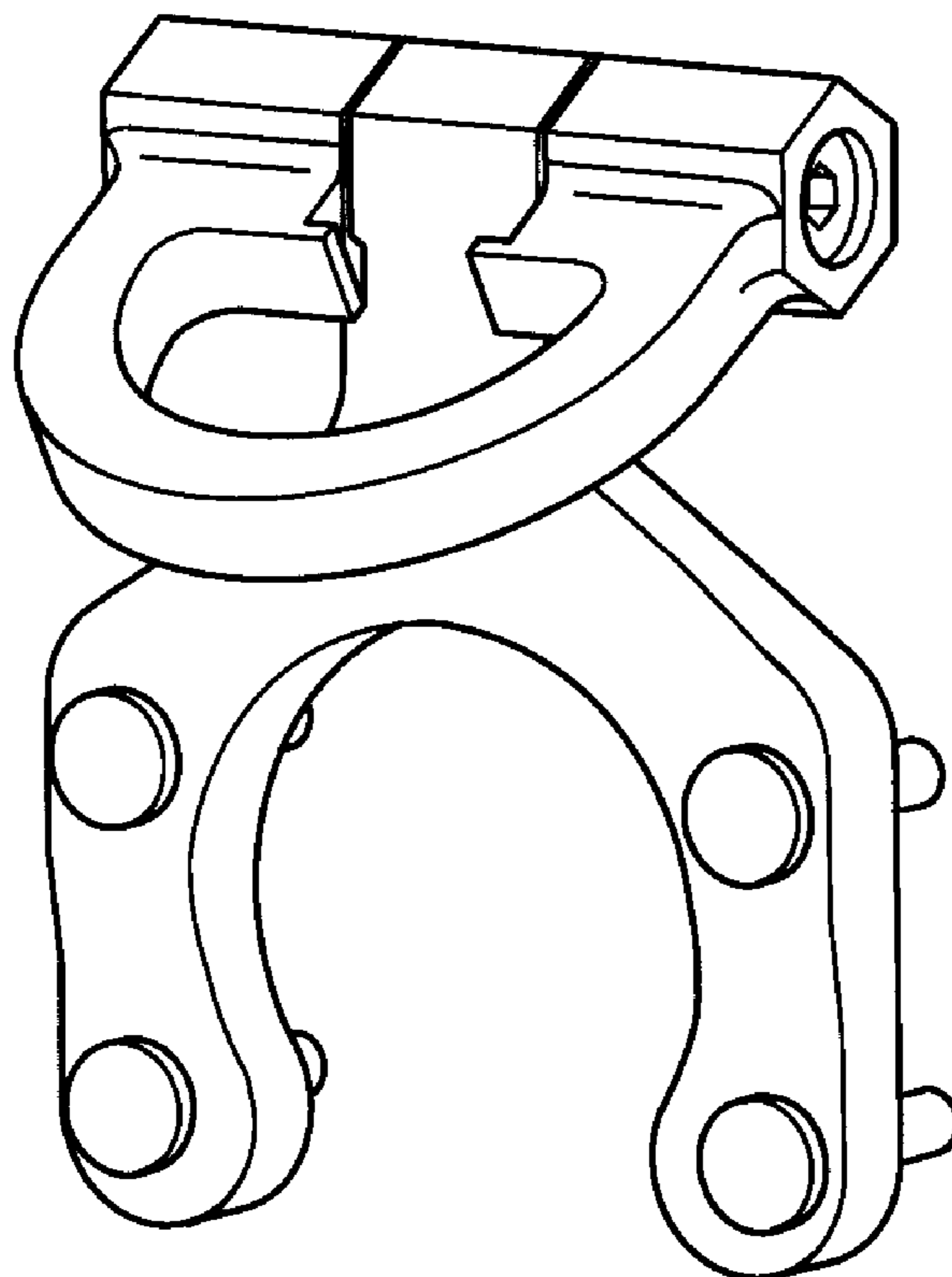
FIG. 5 is a right side elevational view thereof;

FIG. 6 is a top plan view thereof;

FIG. 7 is a rear view thereof; and,

FIG. 8 is a bottom view thereof.

1 Claim, 2 Drawing Sheets



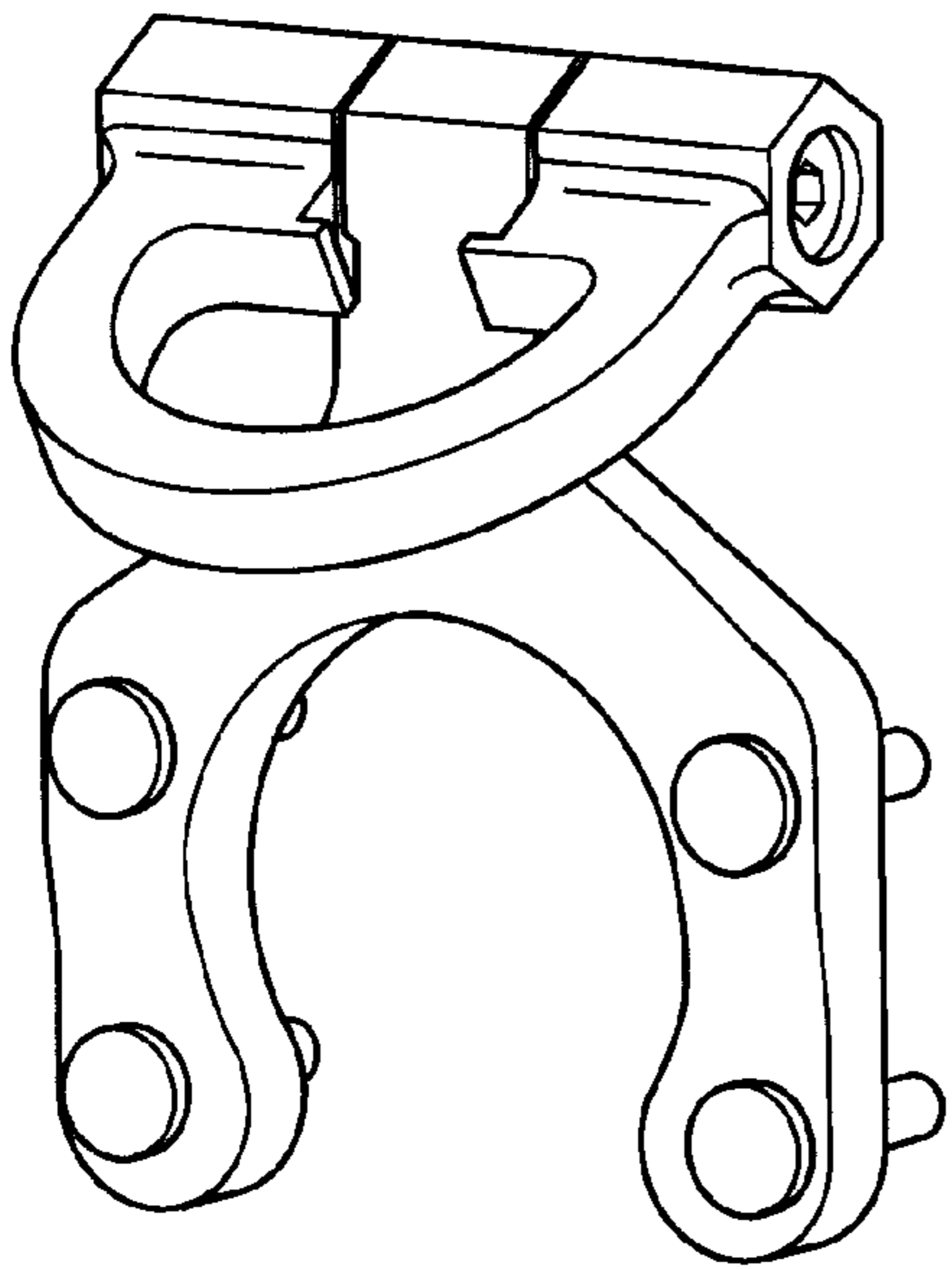


FIG. 1

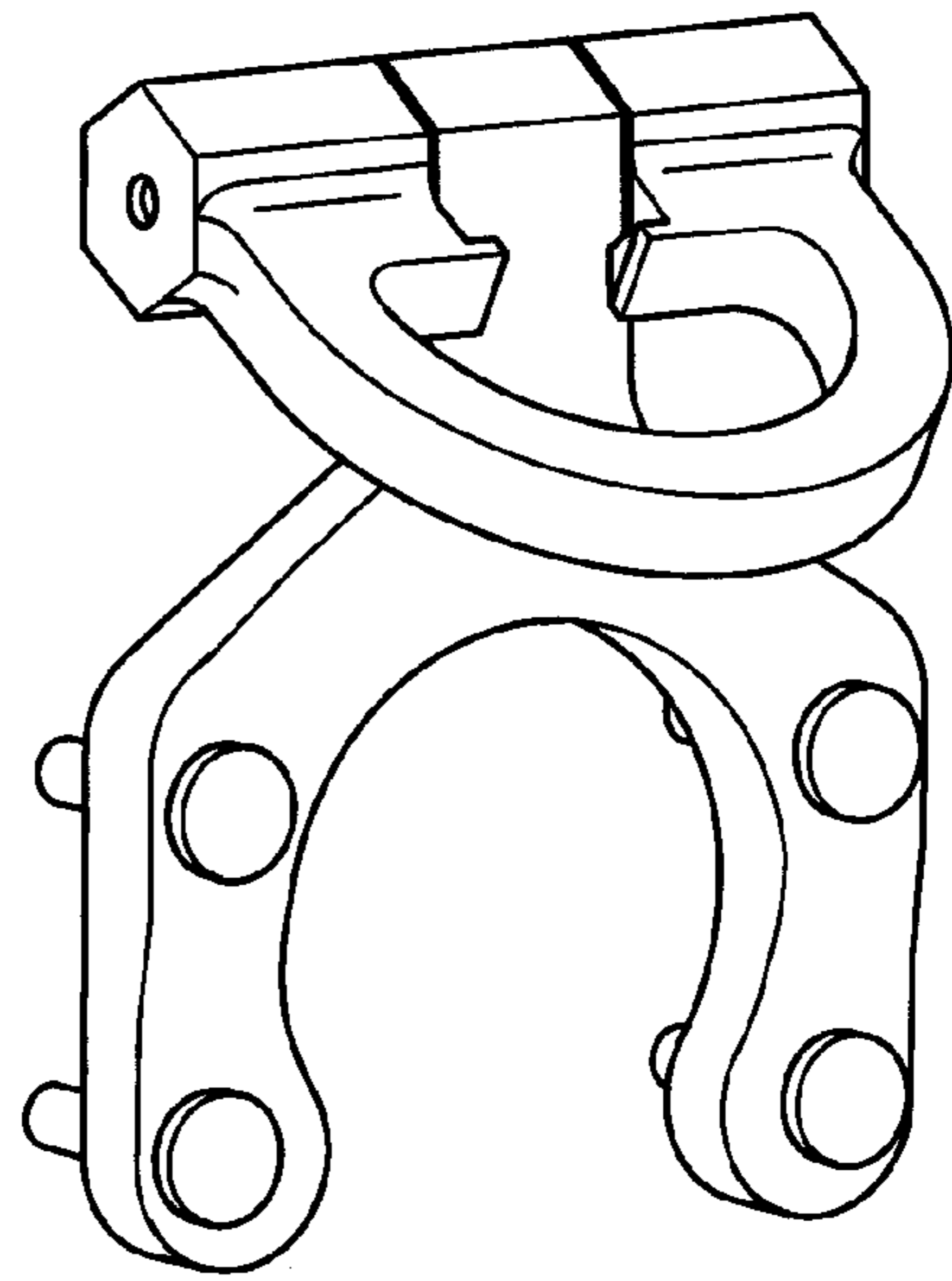


FIG. 2

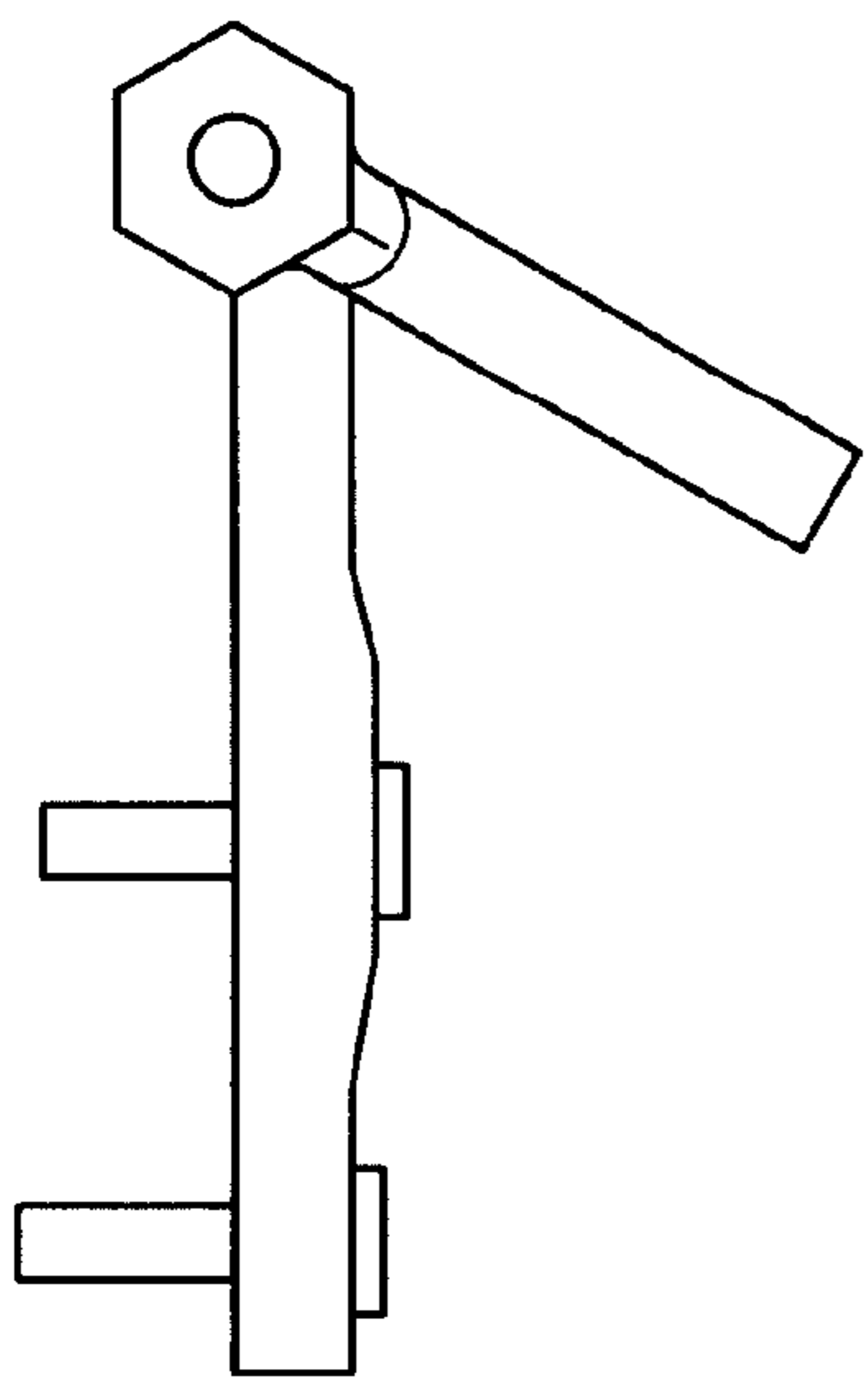


FIG. 3

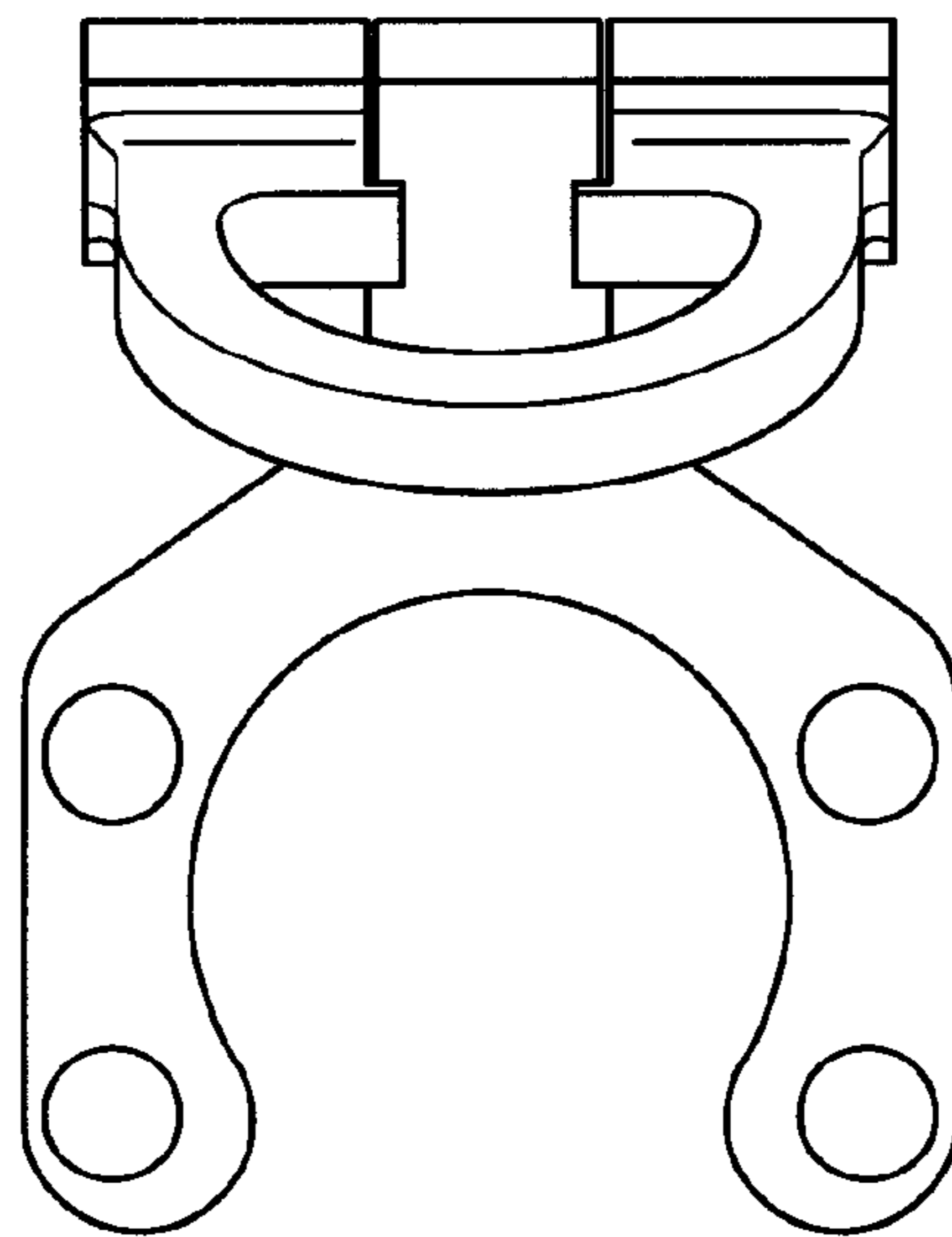


FIG. 4

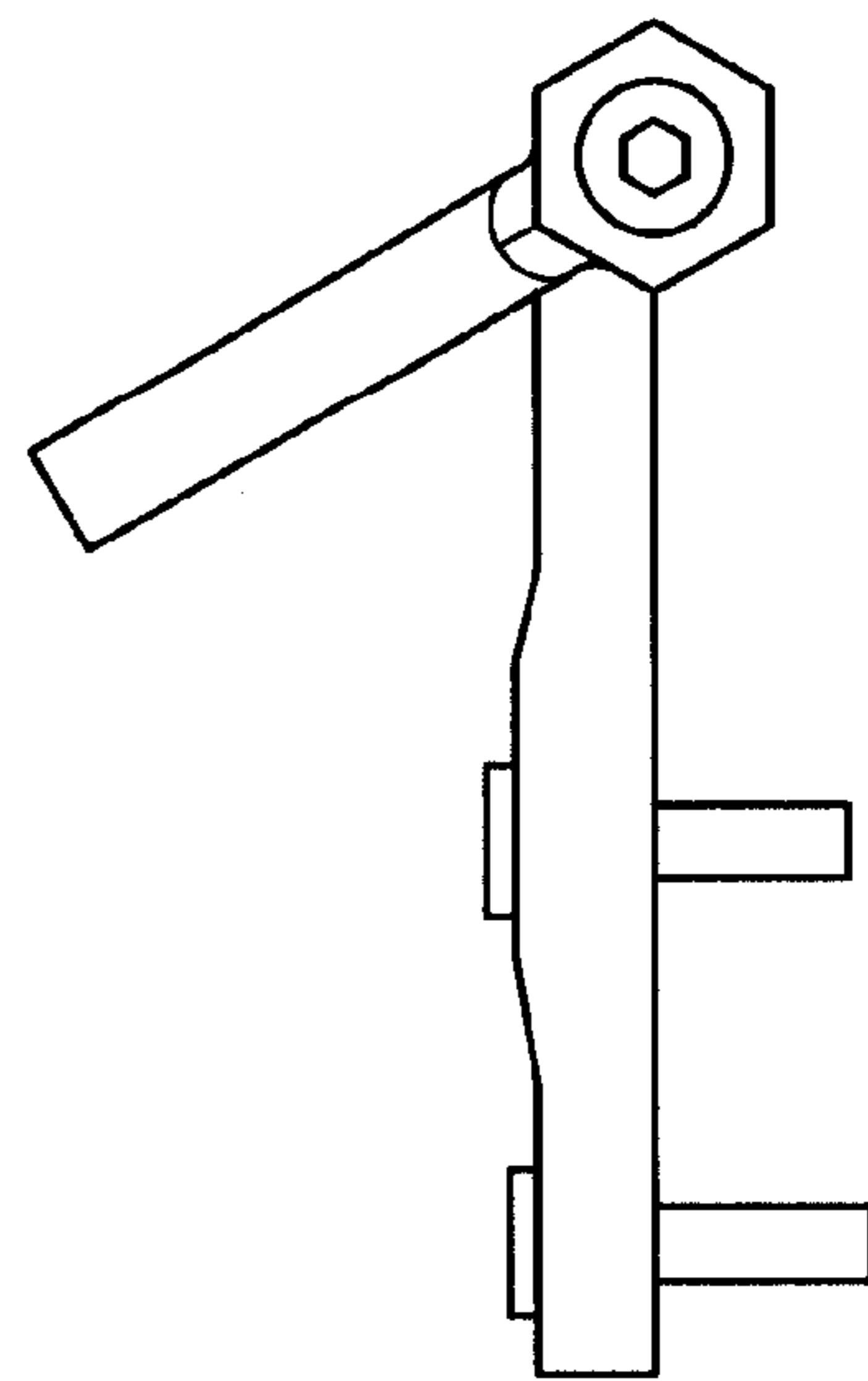


FIG. 5

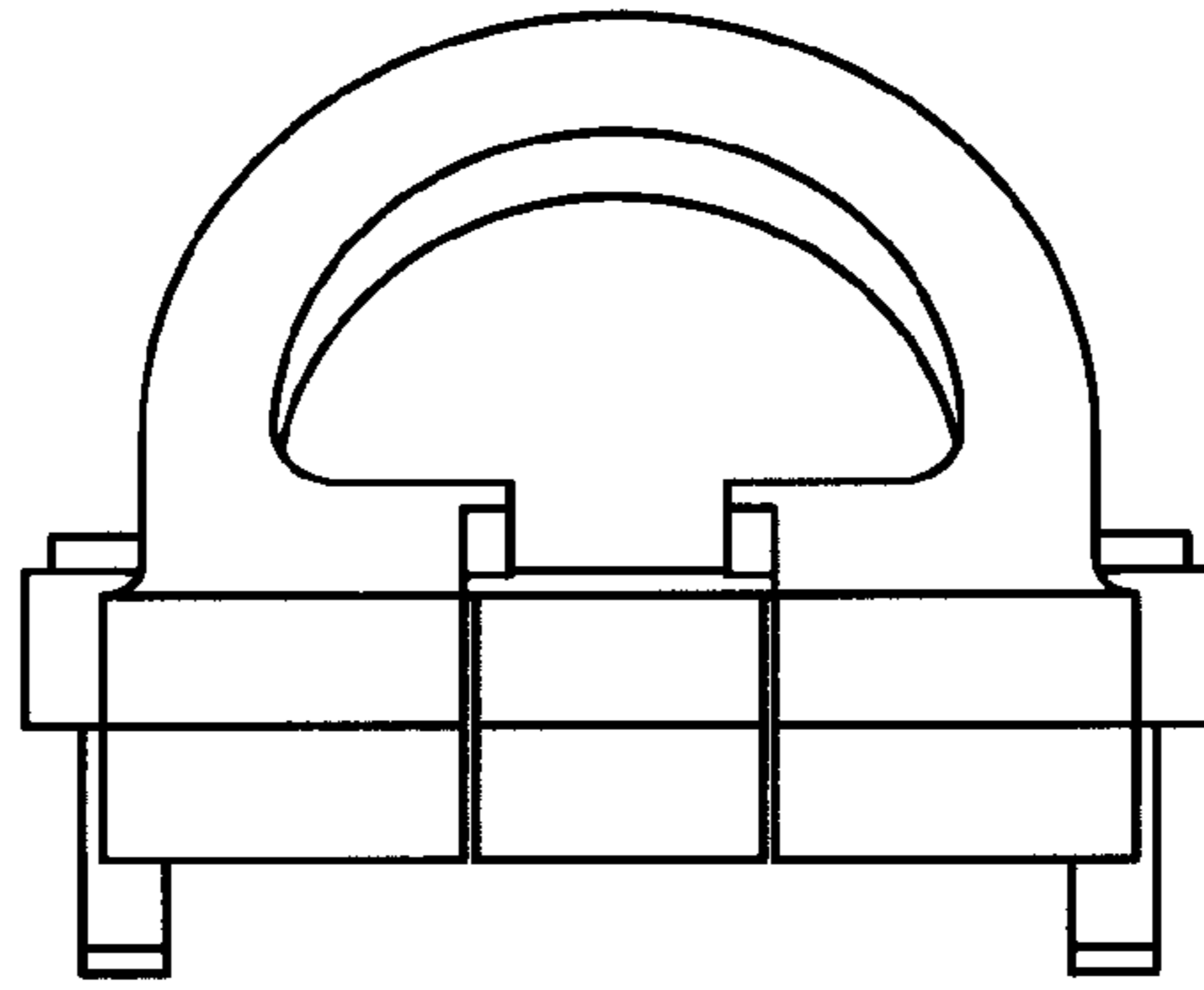


FIG. 6

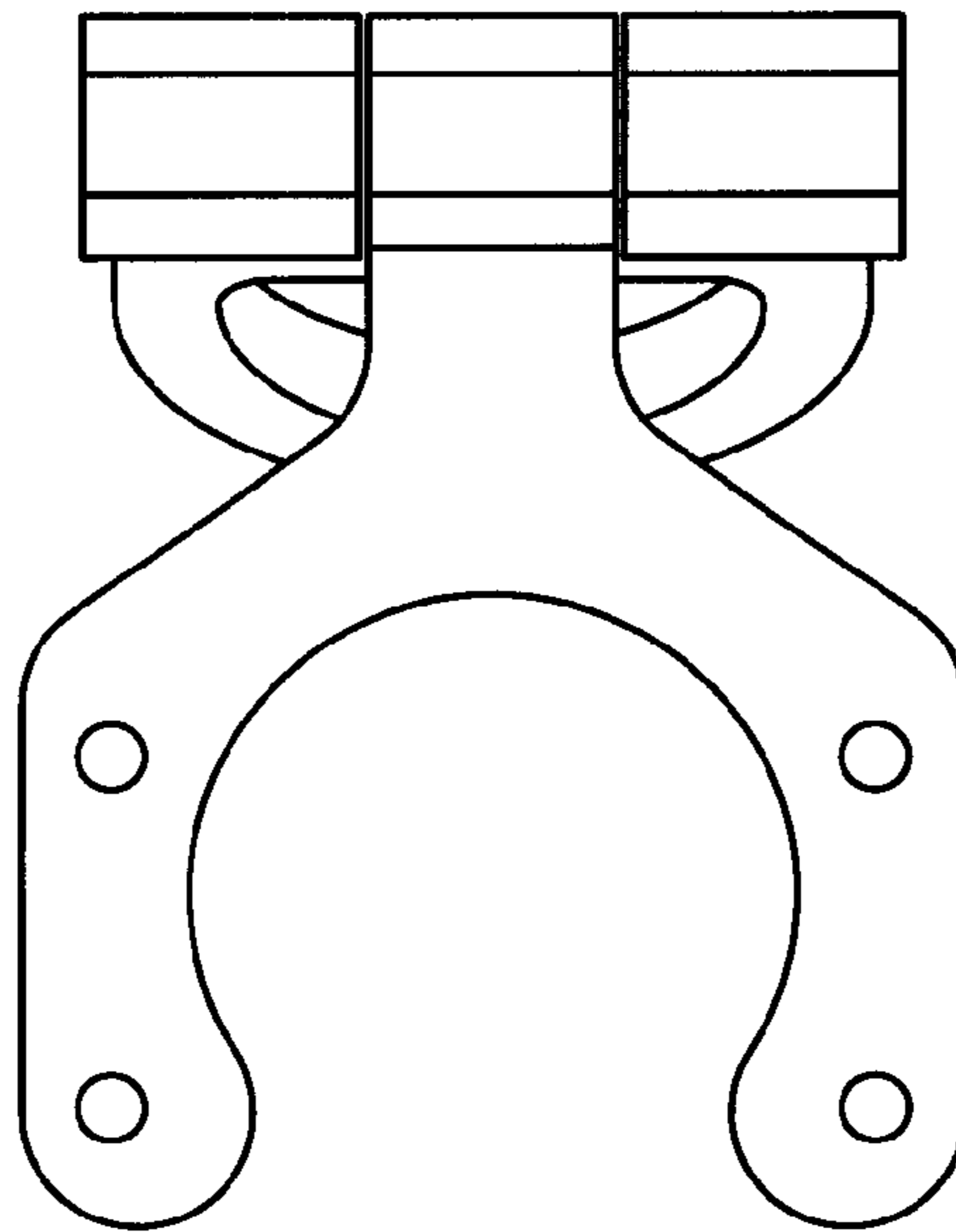


FIG. 7

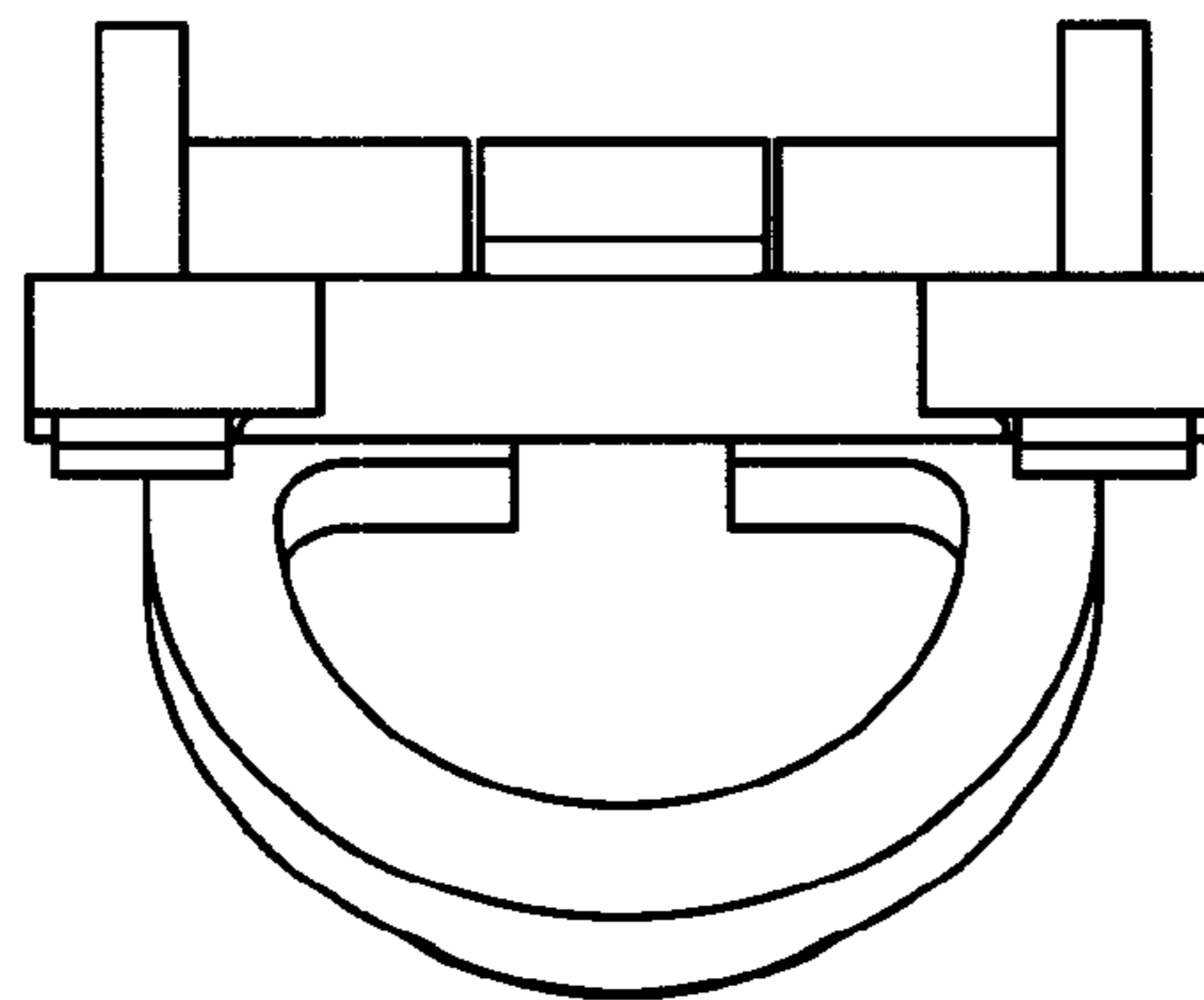


FIG. 8