



US00D587091S

(12) **United States Design Patent**
Chen

(10) **Patent No.:** **US D587,091 S**
(45) **Date of Patent:** **** Feb. 24, 2009**

(54) **HANDLE**

(75) Inventor: **Po-Yang Chen**, Chiayi (TW)

(73) Assignee: **Tong Lung Metal Industry Co., Ltd.**,
Chia-yi (TW)

(**) Term: **14 Years**

(21) Appl. No.: **29/292,090**

(22) Filed: **Sep. 26, 2007**

(30) **Foreign Application Priority Data**

Mar. 28, 2007 (TW) 96301797

(51) **LOC (9) Cl.** **08-01**

(52) **U.S. Cl.** **D8/308**

(58) **Field of Classification Search** D8/300,
D8/301, 302, 307, 308, DIG. 4, DIG. 10;
D23/242; 16/110.1; 292/336.3, 348, 347,
292/357, 169

See application file for complete search history.

(56) **References Cited**

U.S. PATENT DOCUMENTS

D80,400 S *	1/1930	Schnell	D8/308
D99,310 S *	4/1936	Ruppel	D8/308
D106,821 S *	11/1937	Ruppel	D8/308
D115,670 S *	7/1939	Hollindale	D8/308
2,783,074 A *	2/1957	Miltner	292/336.3
D189,524 S *	1/1961	Savage	D8/302
D292,063 S *	9/1987	Hill	D8/302
D311,321 S *	10/1990	Jans	D8/308
D313,542 S *	1/1991	Fayerman	D8/308
D339,280 S *	9/1993	Bray et al.	D8/301
D346,105 S *	4/1994	Shaanan	D8/301
D361,488 S *	8/1995	Carsello	D8/308
D361,489 S *	8/1995	Carsello	D8/308
D368,637 S *	4/1996	Rochette et al.	D8/308
D369,964 S *	5/1996	Decursu et al.	D8/302
5,520,427 A *	5/1996	Mader	292/336.3
D391,826 S *	3/1998	Diebel	D8/308
D393,994 S *	5/1998	Hankel et al.	D8/302

D395,220 S *	6/1998	Klinker	D8/308
D406,042 S *	2/1999	Klinker	D8/308
D444,694 S *	7/2001	Alvarado	D8/301
D485,332 S *	1/2004	Blomstrom	D23/252
D511,671 S *	11/2005	Gorkovenko	D8/308
D537,702 S *	3/2007	Roberts, III	D8/308
D557,585 S *	12/2007	Linares	D8/308
D566,517 S *	4/2008	Lin	D8/308

* cited by examiner

Primary Examiner—Paula Greene

(74) *Attorney, Agent, or Firm*—MacPherson Kwok Chen & Heid LLP

(57) **CLAIM**

The ornamental design for handle, as shown and described.

DESCRIPTION

FIG. 1 is a perspective view of the first embodiment of handle showing my new design;

FIG. 2 is a front elevational view thereof;

FIG. 3 is a rear elevational view thereof;

FIG. 4 is a left side elevational view thereof;

FIG. 5 is a right side elevational view thereof;

FIG. 6 is a top plan view thereof;

FIG. 7 is a bottom plan view thereof;

FIG. 8 is a perspective view of the second embodiment of handle;

FIG. 9 is a front elevational view thereof;

FIG. 10 is a rear elevational view thereof;

FIG. 11 is a left side elevational view thereof;

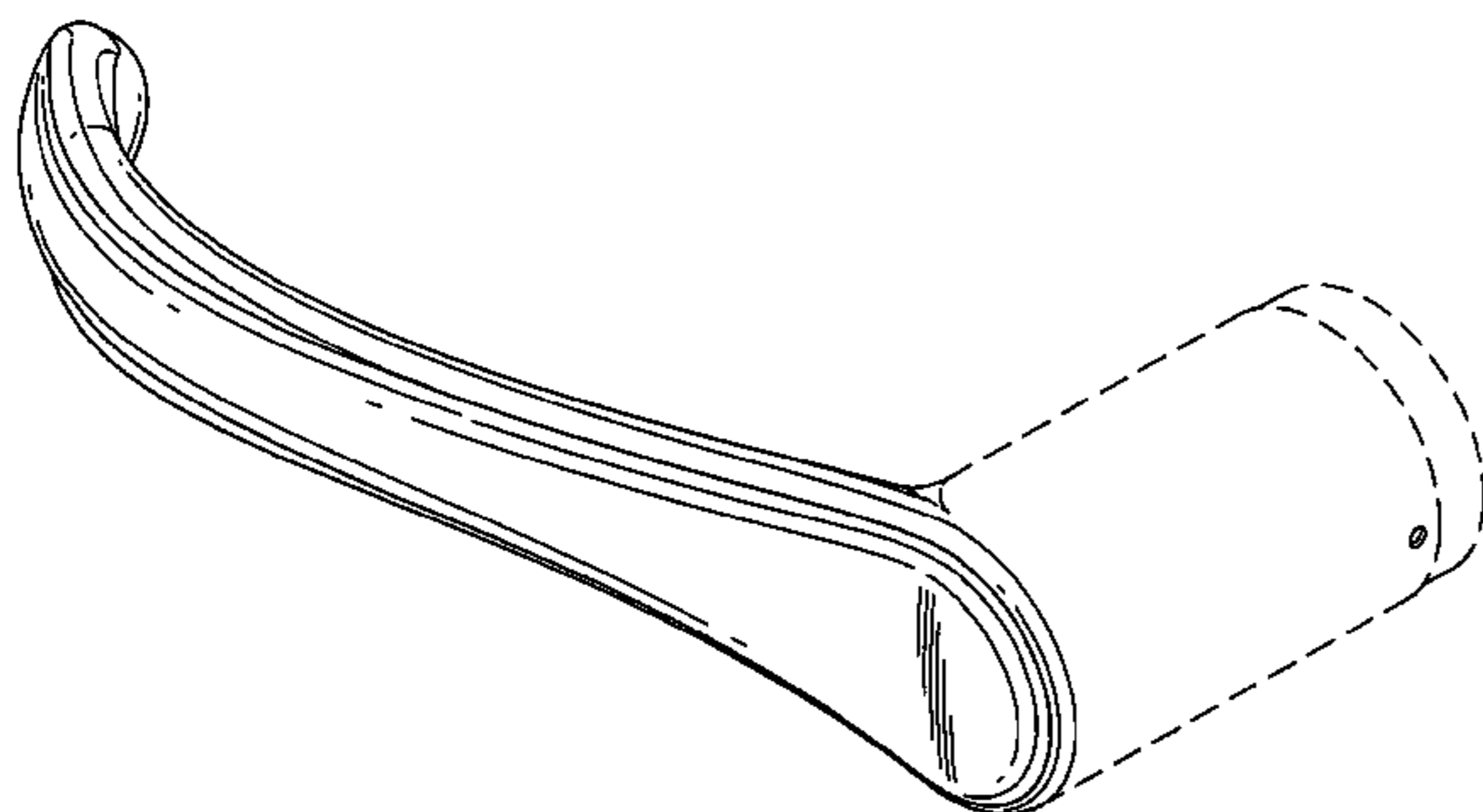
FIG. 12 is a right side elevational view thereof;

FIG. 13 is a top plan view thereof; and,

FIG. 14 is a bottom plan view thereof.

The portions shown in dashed lines are for illustrative purposes only and form no part of the claimed design.

1 Claim, 12 Drawing Sheets



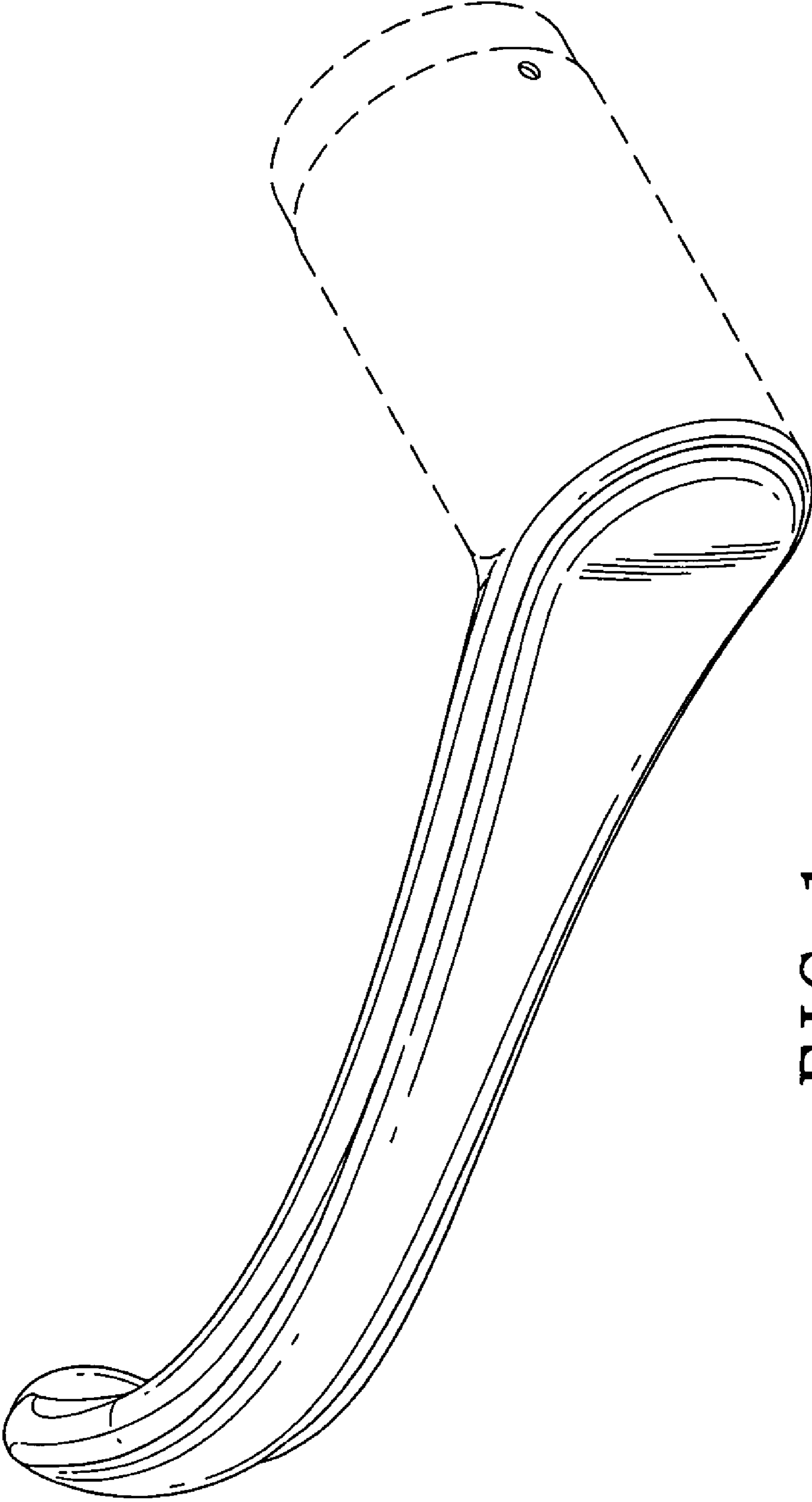


FIG. 1

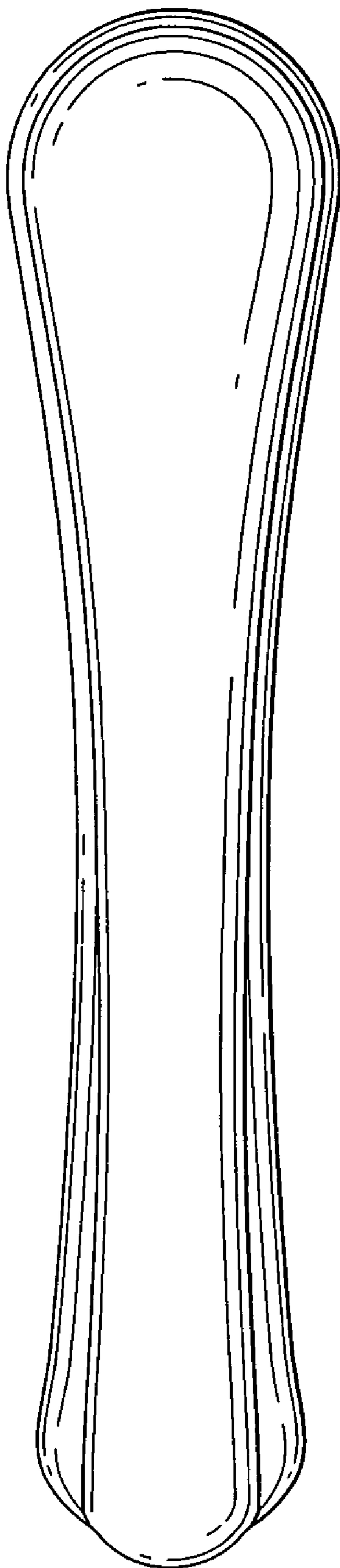


FIG. 2

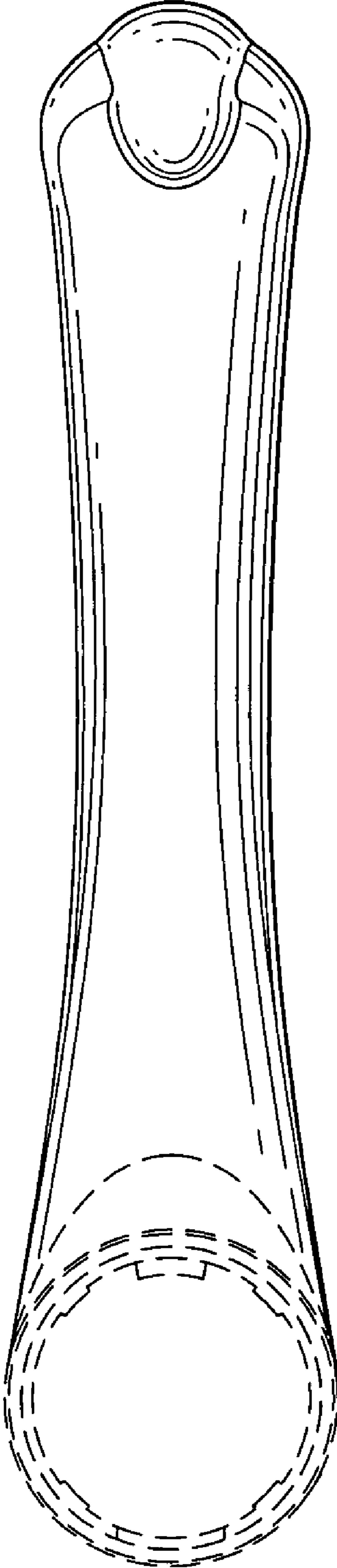


FIG. 3

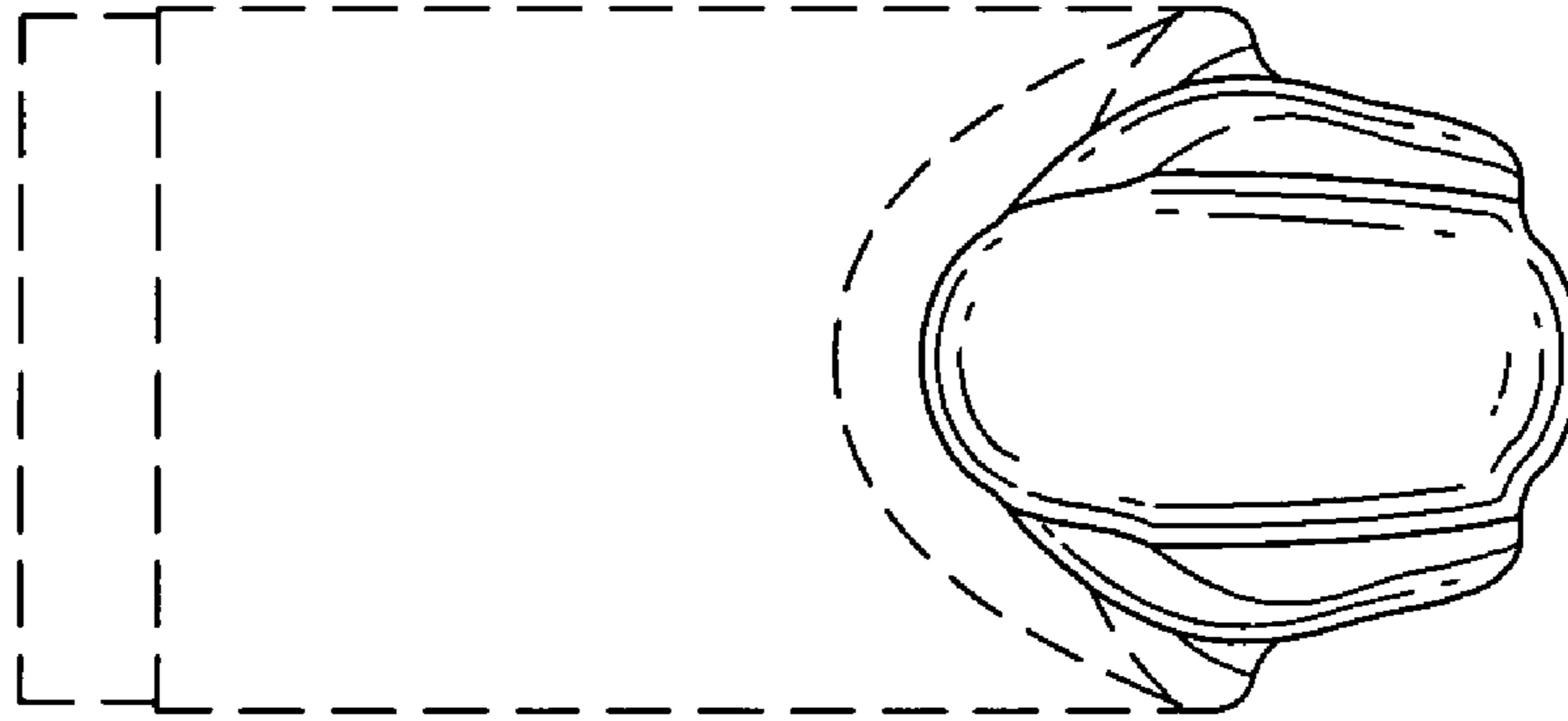


FIG. 4



FIG. 5

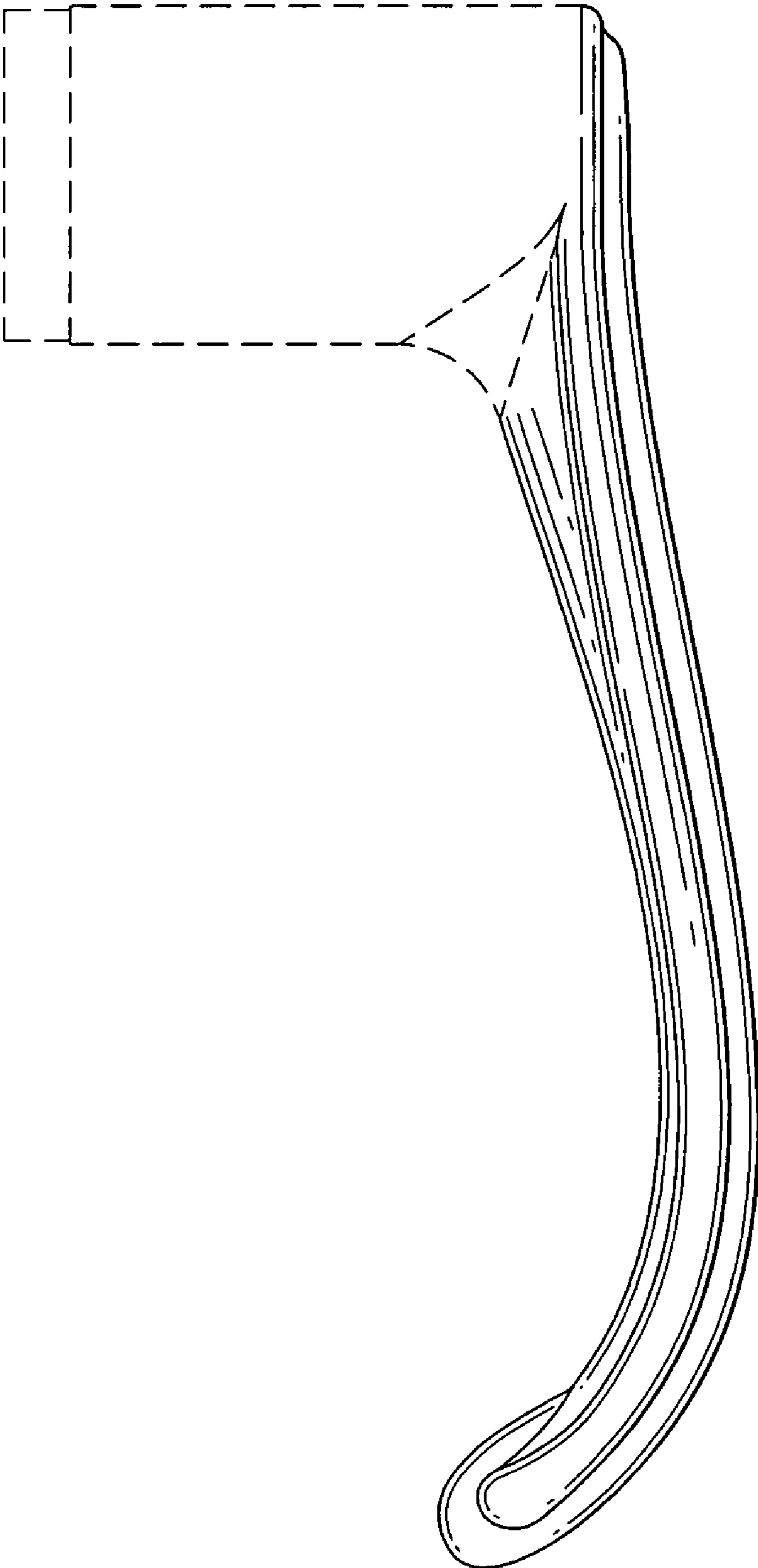


FIG. 6

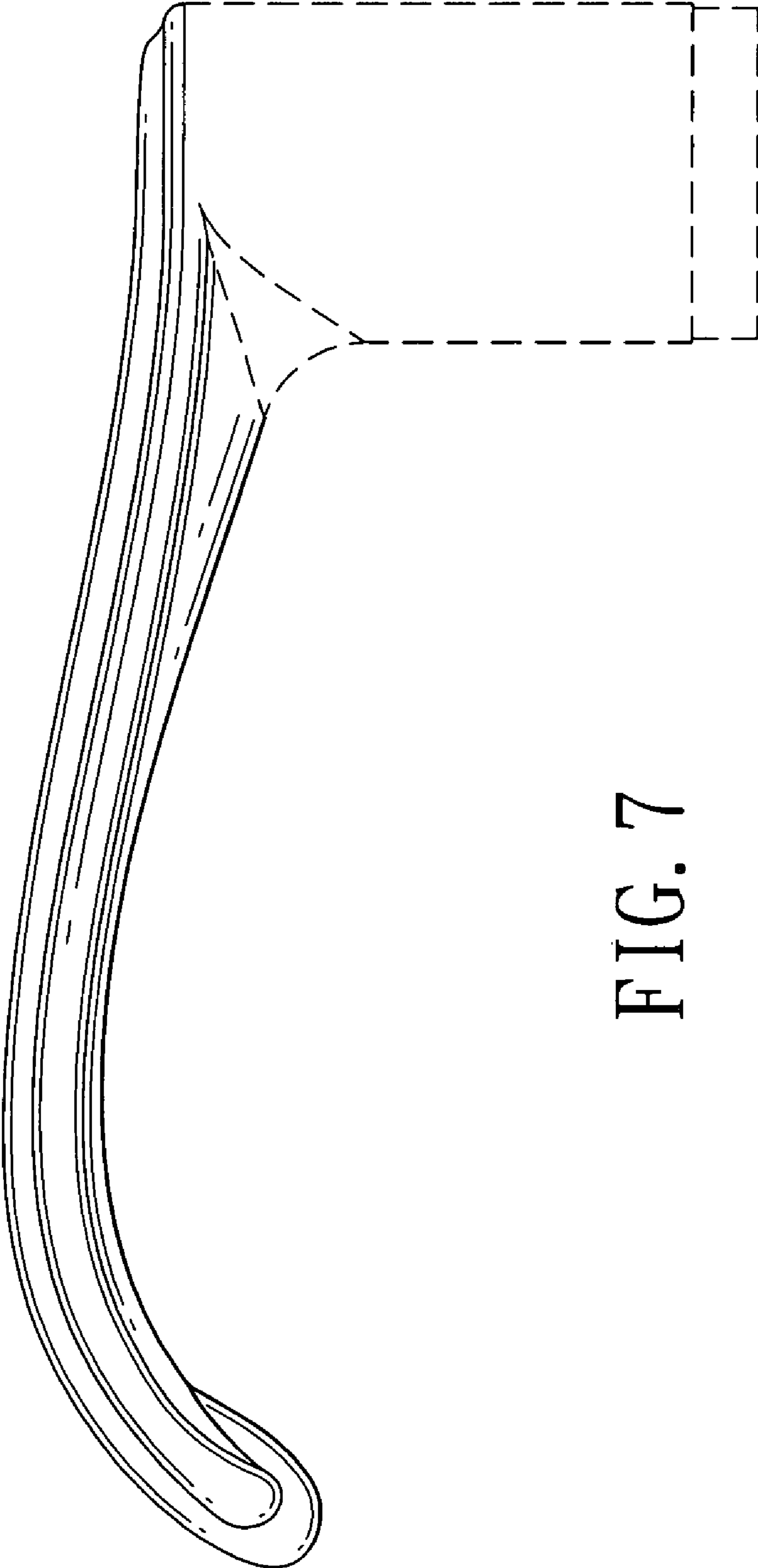


FIG. 7

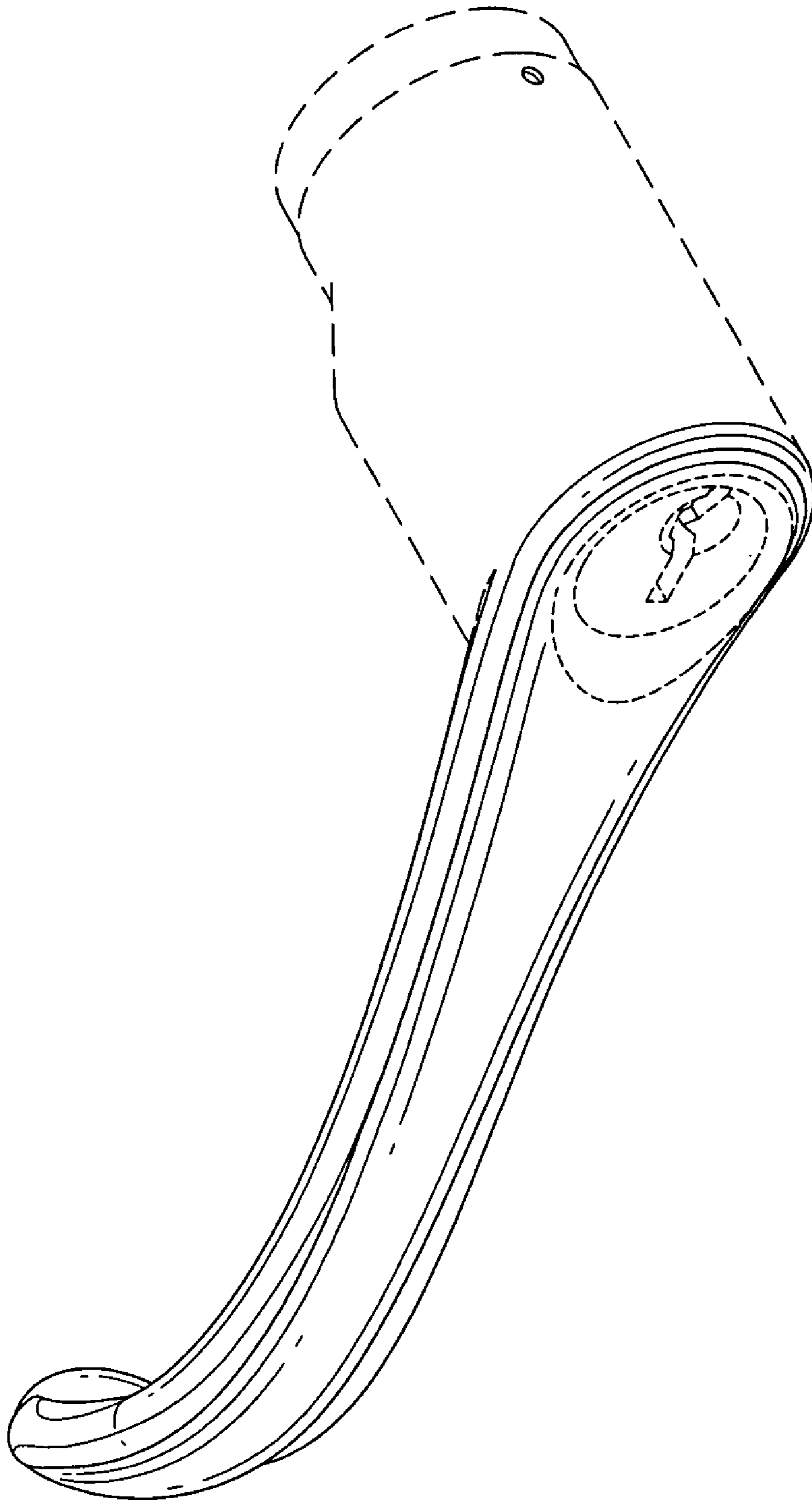


FIG. 8

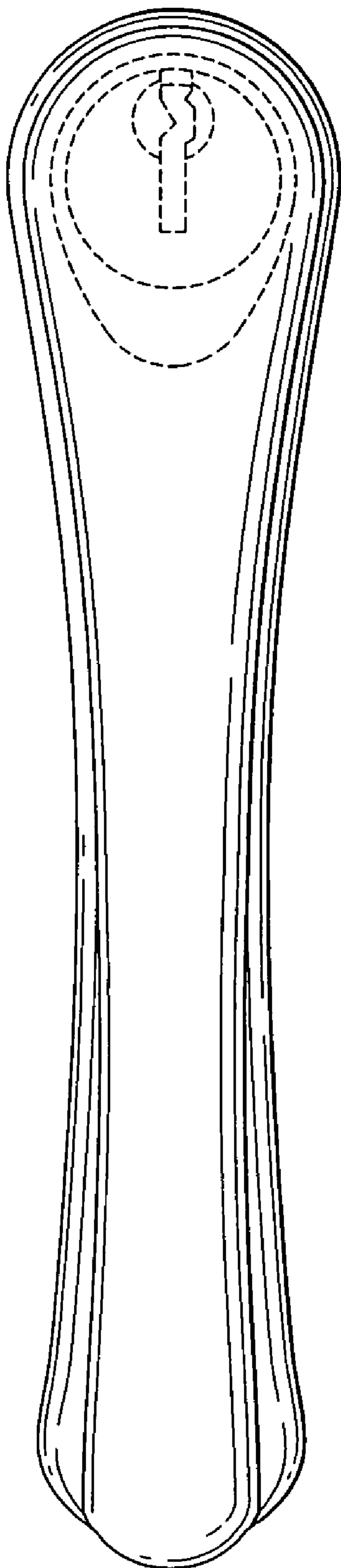


FIG. 9

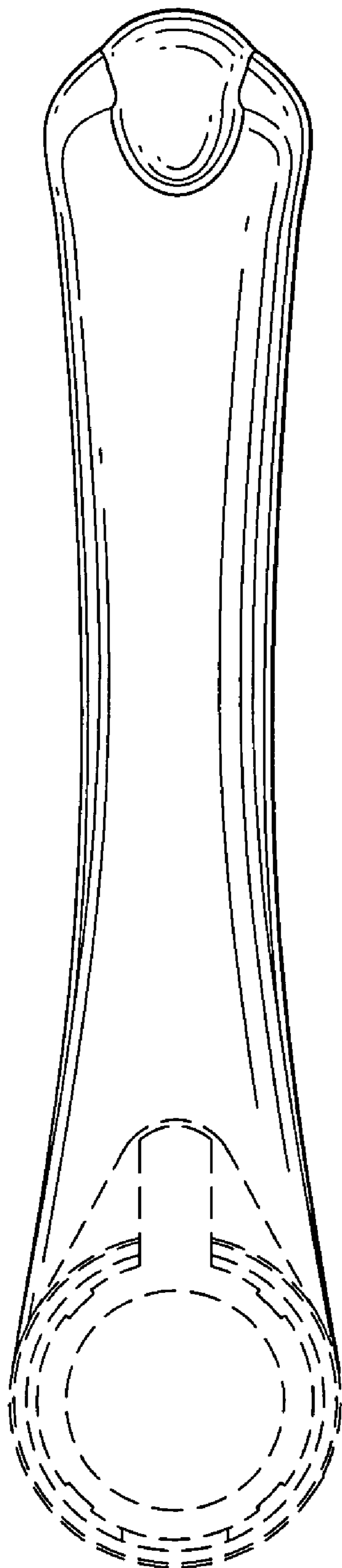


FIG. 10

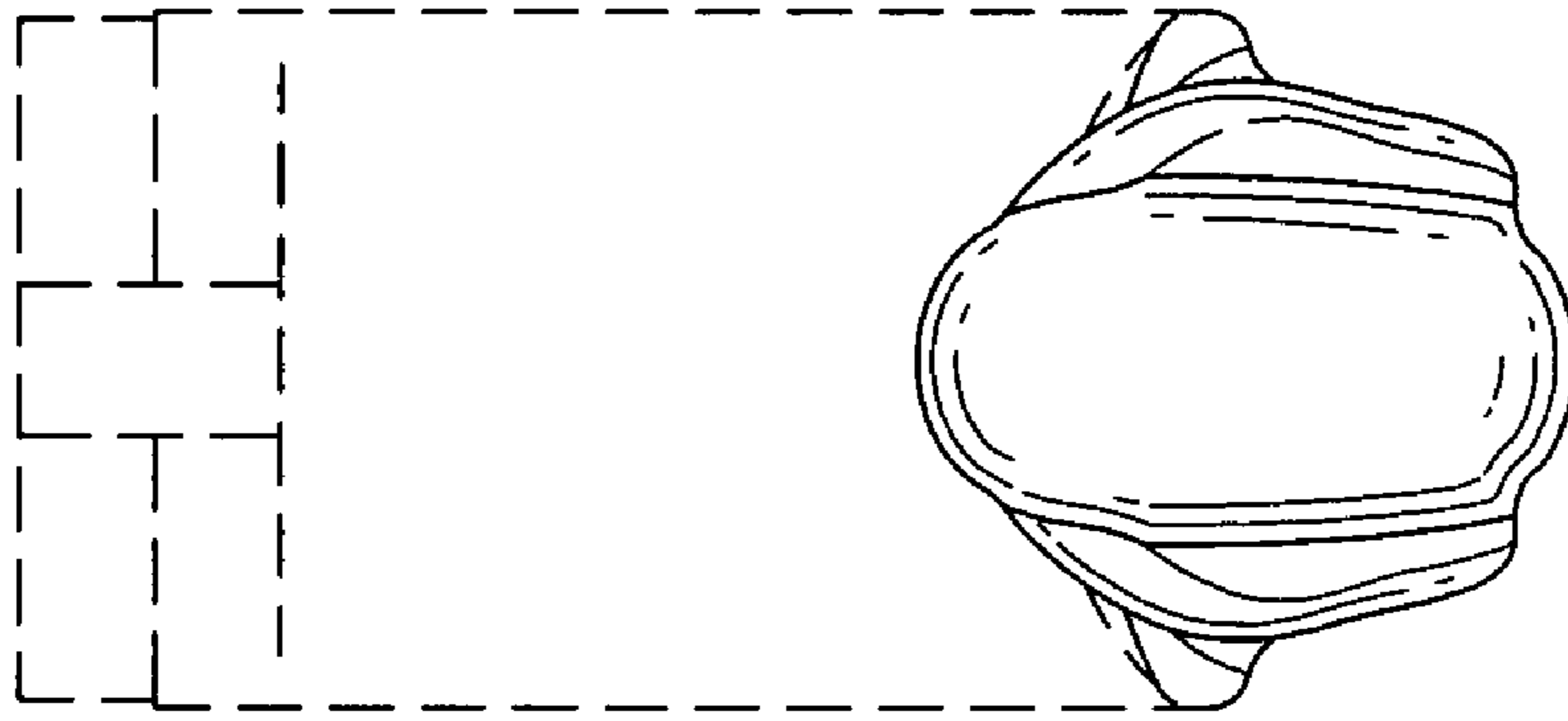


FIG. 11



FIG. 12

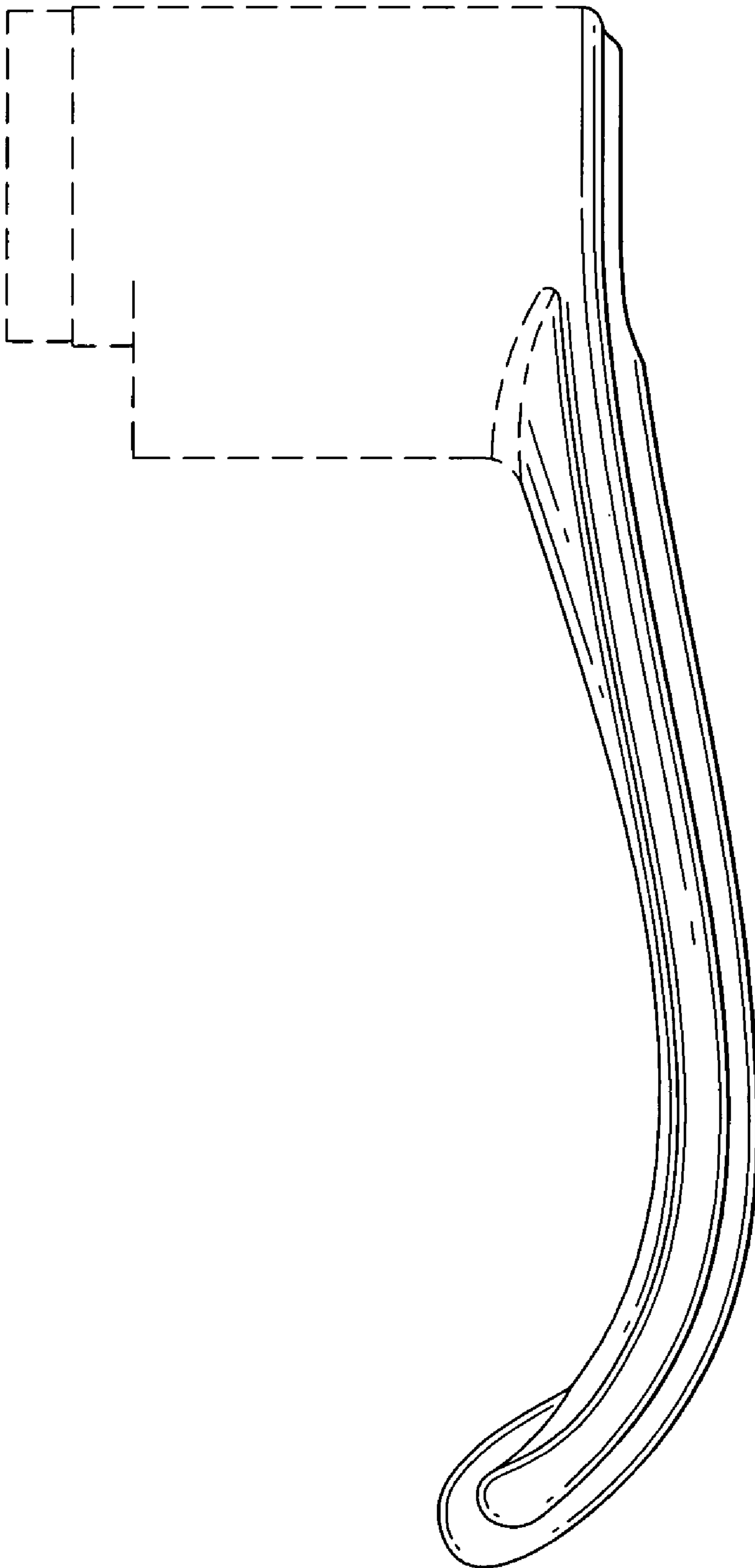


FIG. 13

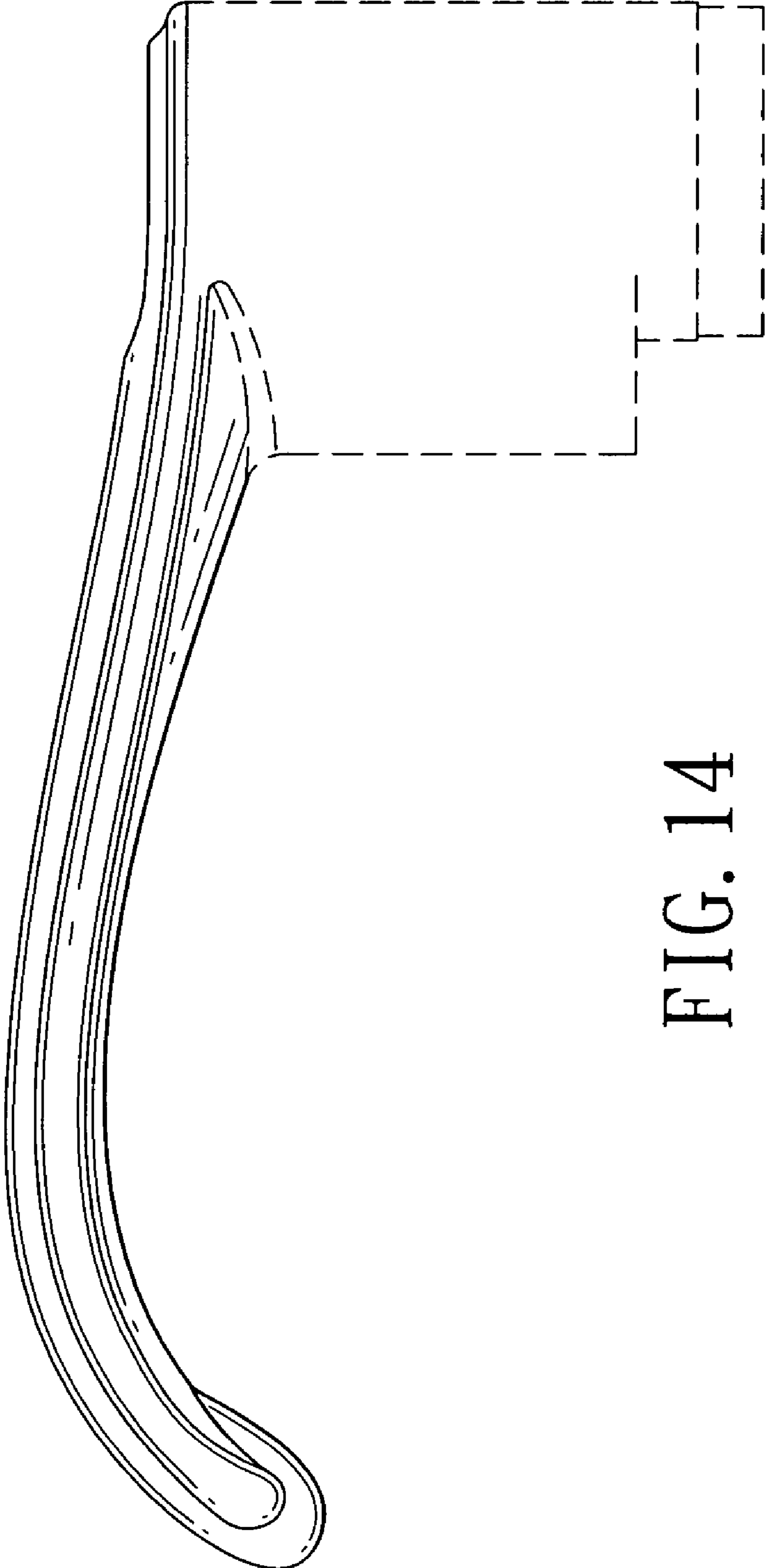


FIG. 14