



US00D587090S

(12) **United States Design Patent**  
**Saunders**

(10) **Patent No.:** **US D587,090 S**

(45) **Date of Patent:** **\*\* Feb. 24, 2009**

(54) **ROUTER PLANE**

D517,931 S 3/2006 Hyde

(75) Inventor: **Terry Saunders**, North Gower (CA)

(73) Assignee: **Lee Valley Tools Ltd.**, Ottawa, ON (CA)

(\*\*) Term: **14 Years**

(21) Appl. No.: **29/282,219**

(22) Filed: **Jul. 13, 2007**

(51) **LOC (9) Cl.** ..... **08-03**

(52) **U.S. Cl.** ..... **D8/101**

(58) **Field of Classification Search** ..... D8/14,  
D8/51, 90, 101; 30/478, 486, 492

See application file for complete search history.

(56) **References Cited**

U.S. PATENT DOCUMENTS

17,403	A	5/1857	Williams	
36,973	A	11/1862	Traut	
141,475	A	8/1873	Traut	
152,488	A	6/1874	Hawley	
174,879	A	3/1876	Vetterlein	
504,003	A	8/1893	Traut	
1,012,591	A	12/1911	Bodmer et al.	
2,550,766	A	5/1951	Bryant	
2,694,260	A	11/1954	Johansson	
2,839,109	A *	6/1958	Wilson et al.	30/478
2,903,030	A *	9/1959	Ferguson	30/486
3,481,377	A *	12/1969	Masutani	30/478
D273,083	S *	3/1984	Sloane	D8/101
4,791,732	A	12/1988	Bruno, Jr. et al.	
4,930,221	A	6/1990	Taylor	
D313,190	S	12/1990	Economaki	
5,050,306	A	9/1991	Renaud	
5,197,195	A	3/1993	Aikens	
6,167,628	B1	1/2001	Jones et al.	
6,408,527	B1	6/2002	Chubb	
D477,522	S *	7/2003	James	D8/101
D481,288	S *	10/2003	Saunders	D8/101

OTHER PUBLICATIONS

Printout from Google Image search for Router Plane, 2008.\*  
Frampton, Alice, "Wheel Marking Gauges Review," Woodworking Magazine, WoodCentral (2005); [http://www.woodcentral.com/cgi-bin/readarticle.pl?dir=reviews&file=articles\\_734.shtml](http://www.woodcentral.com/cgi-bin/readarticle.pl?dir=reviews&file=articles_734.shtml), printed Nov. 29, 2006.

"Small Router Plane," Lie-Nielsen Toolwoks Inc., <http://www.lie-nielsen.com/catalog.php?sku=271>, 1995.

Derek Cohen, "The Lee Valley Router Plane," Old Tools Shop, [www.oldtoolsshop.com](http://www.oldtoolsshop.com), Jan. 16, 2006.

"The Superior Works: Patrick's Blood and Gore Planes #71-#87," [www.supertool.com/St StanleyBG/stan10.html](http://www.supertool.com/St StanleyBG/stan10.html), 1998.

\* cited by examiner

*Primary Examiner*—Philip S Hyder

(74) *Attorney, Agent, or Firm*—Kilpatrick Stockton LLP; John S. Pratt; Camilla C. Williams

(57) **CLAIM**

The ornamental design for a router plane, as shown and described.

**DESCRIPTION**

FIG. 1 is a perspective view of a router plane of the present invention showing my new design.

FIG. 2 is a top plan view of a router plane shown in FIG. 1.

FIG. 3 is a bottom plan view of a router plane shown in FIG. 1.

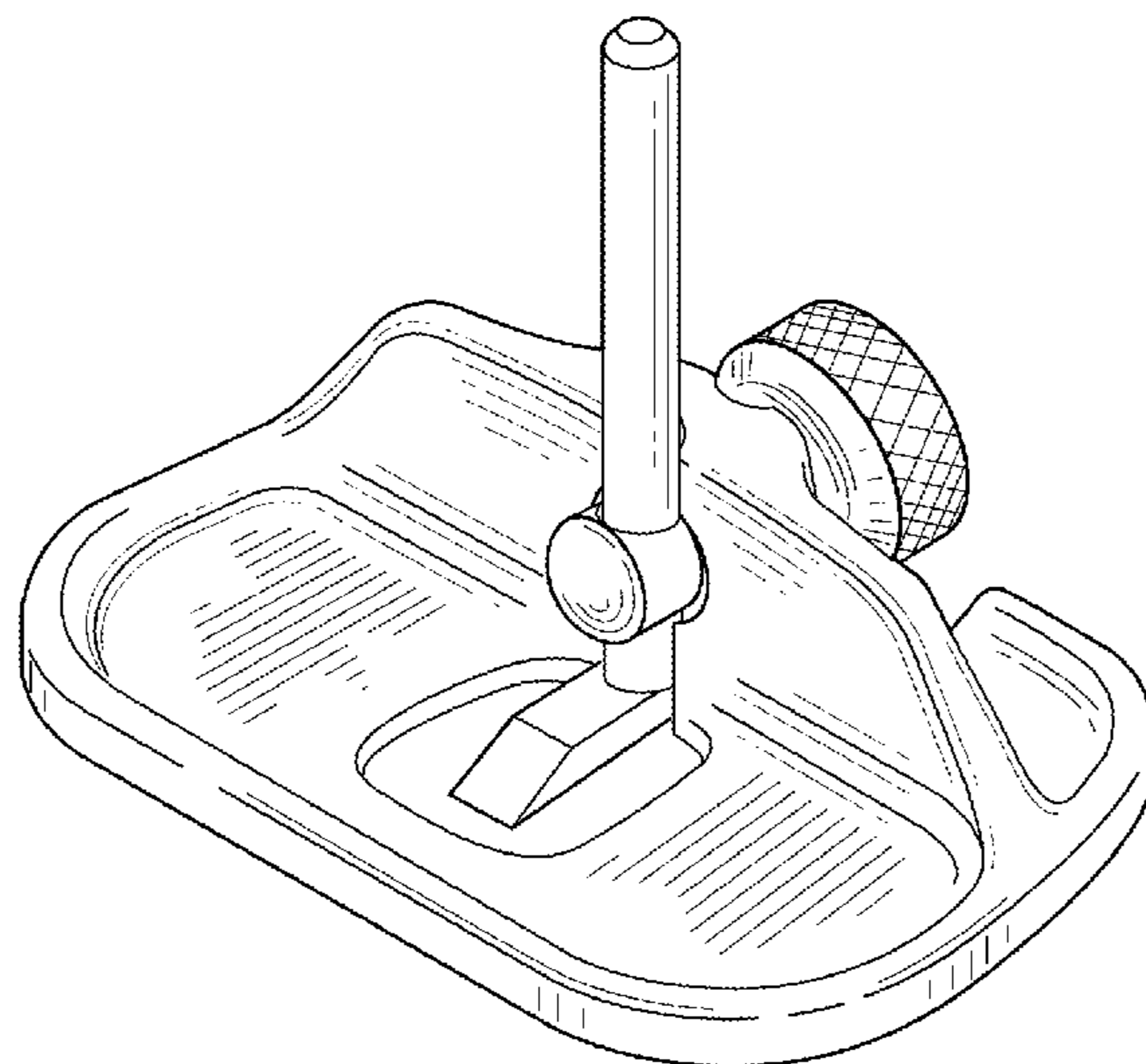
FIG. 4 is a left side elevation view of a router plane shown in FIG. 1, the right side elevation view being identical thereto.

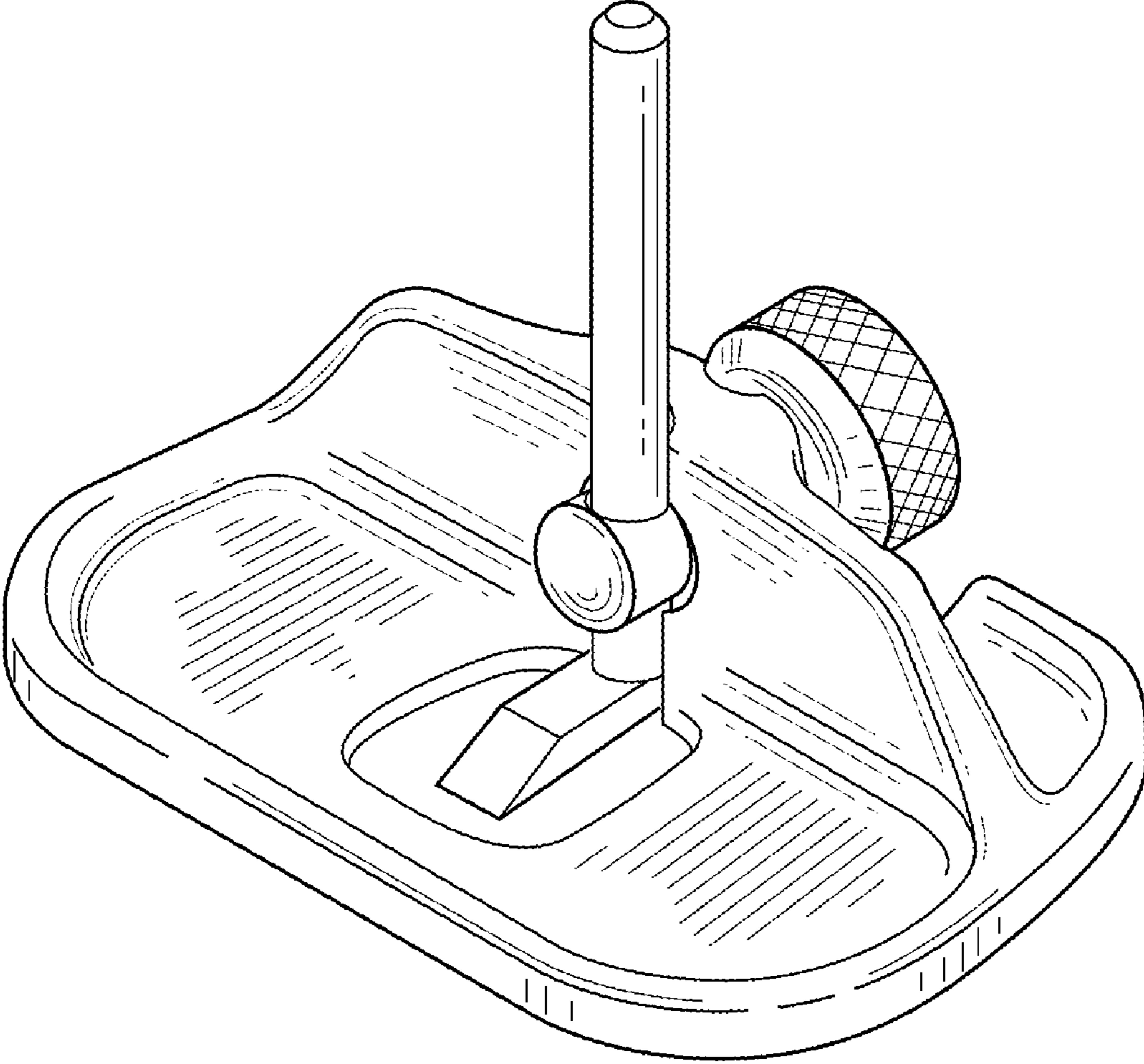
FIG. 5 is a front end elevation view of a router plane shown in FIG. 1; and,

FIG. 6 is a back end elevation view of a router plane shown in FIG. 1.

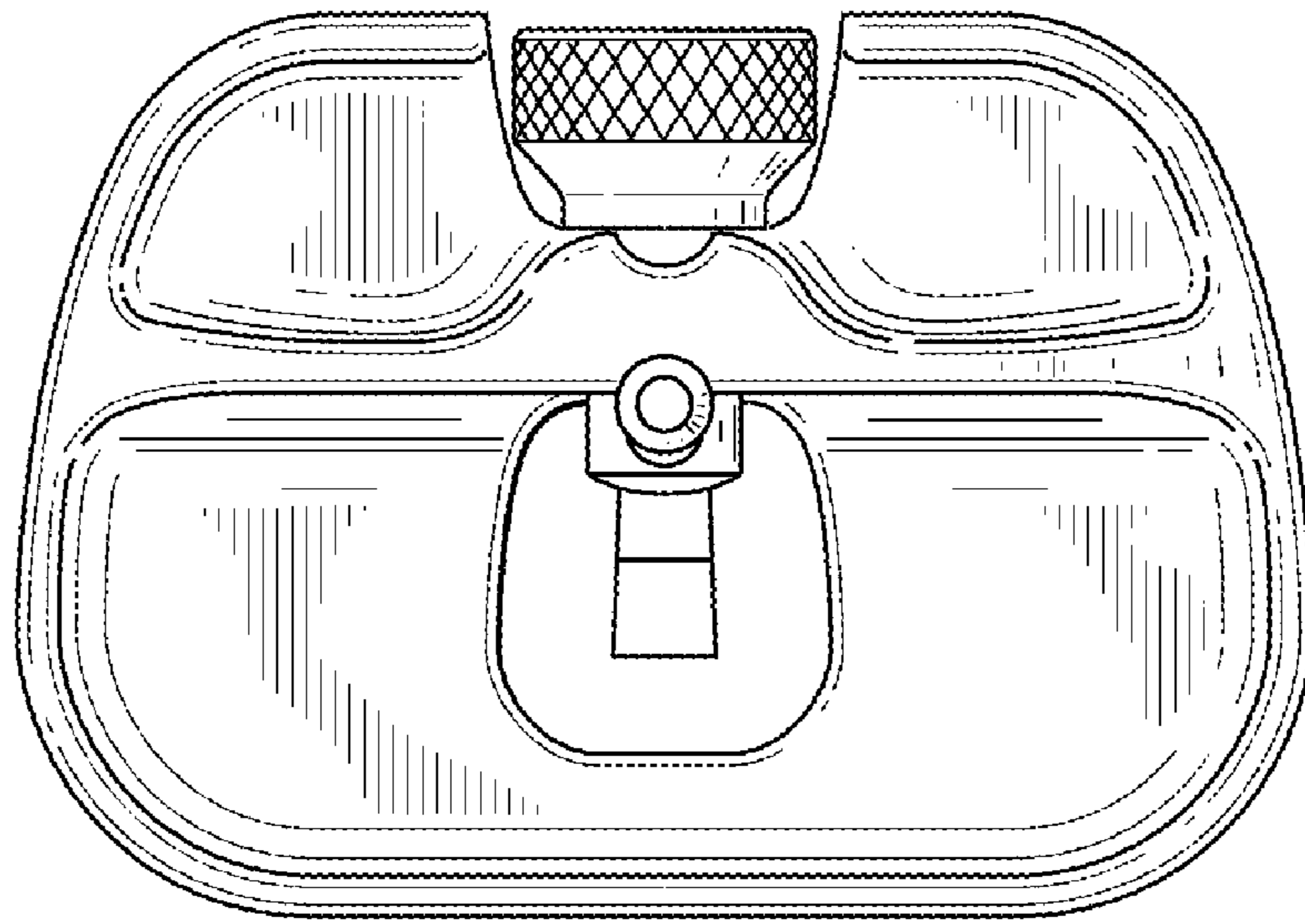
The broken line in FIG. 6 illustrates an unclaimed portion of the claimed design.

**1 Claim, 3 Drawing Sheets**

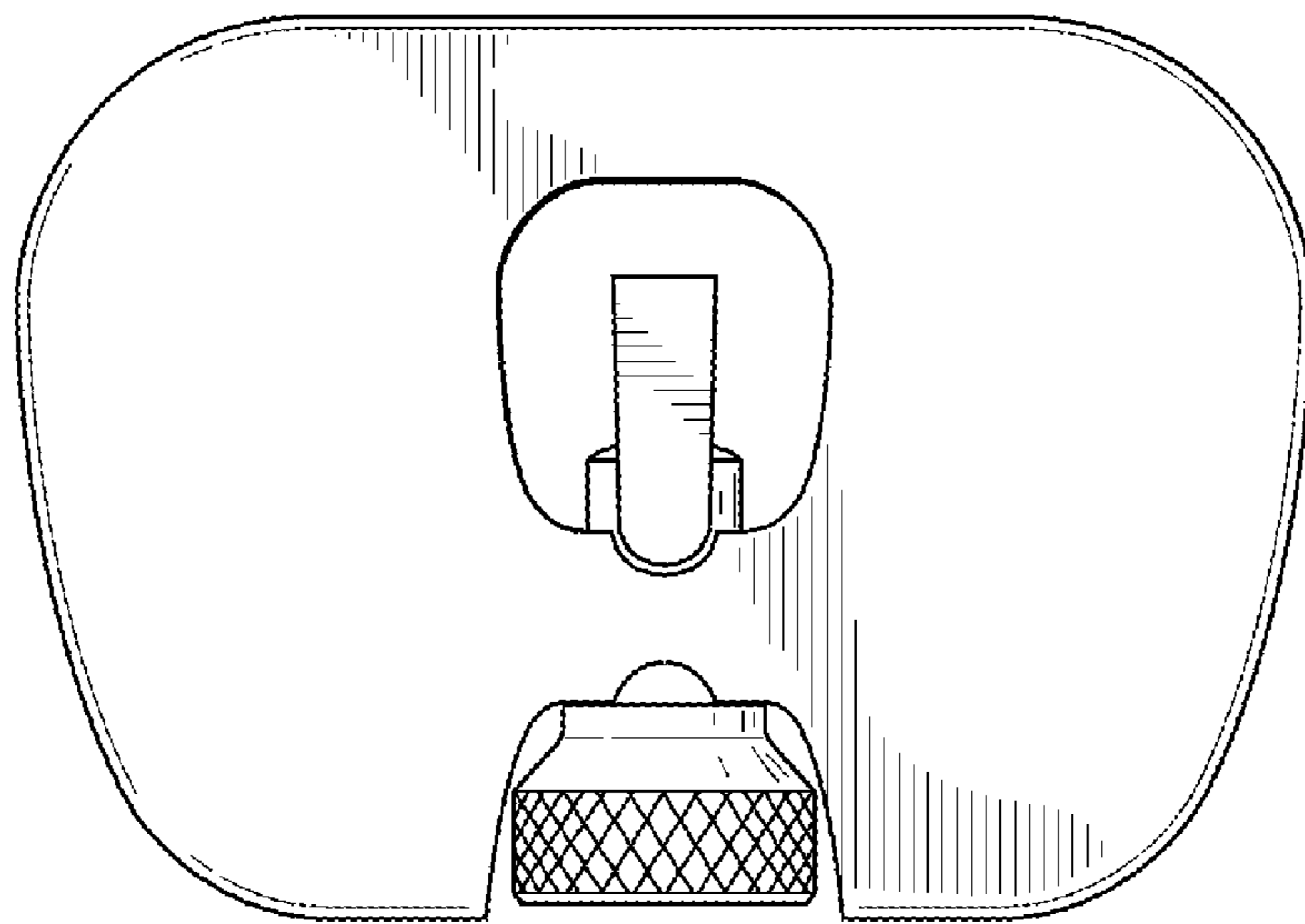




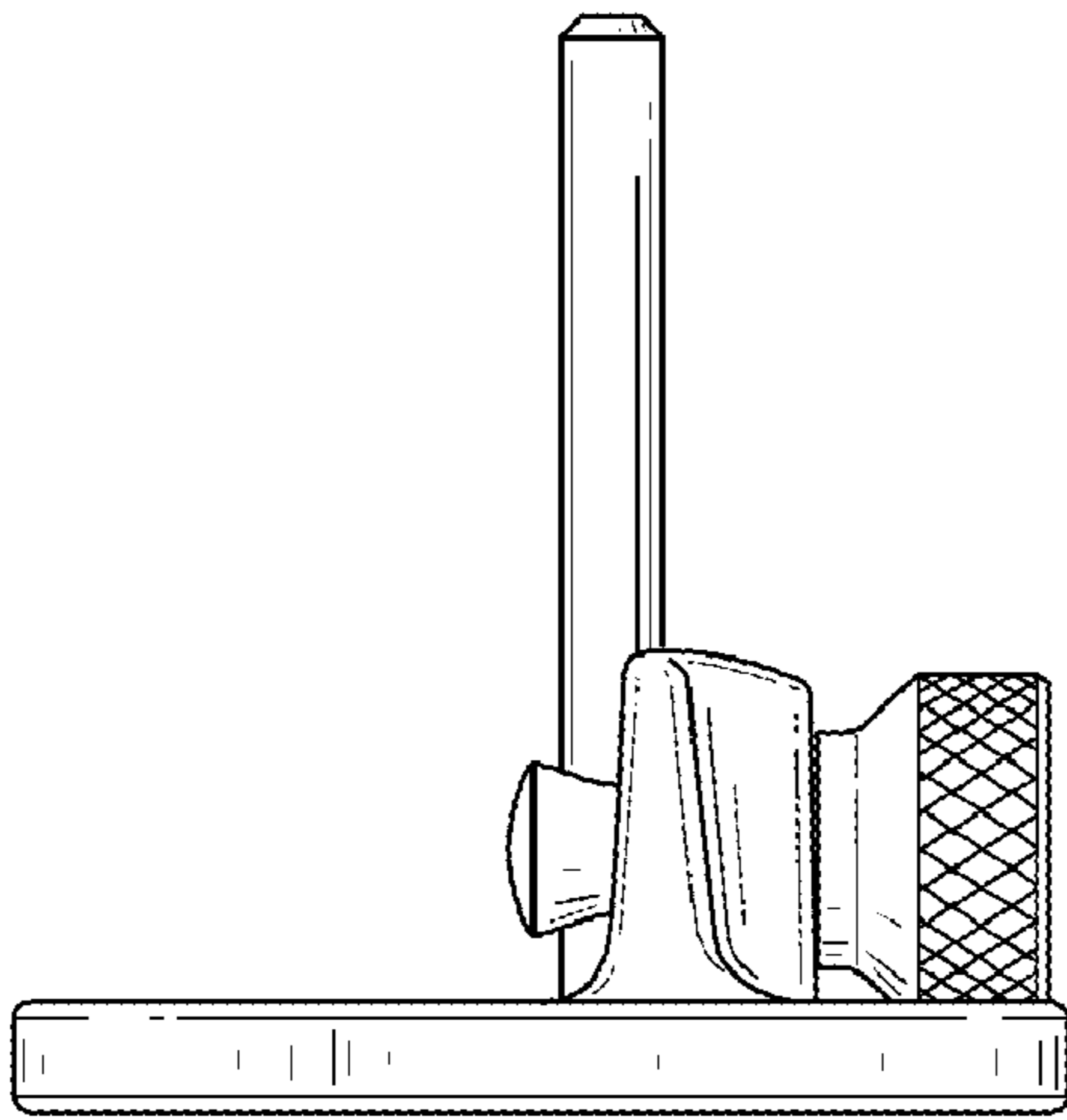
**FIG. 1**



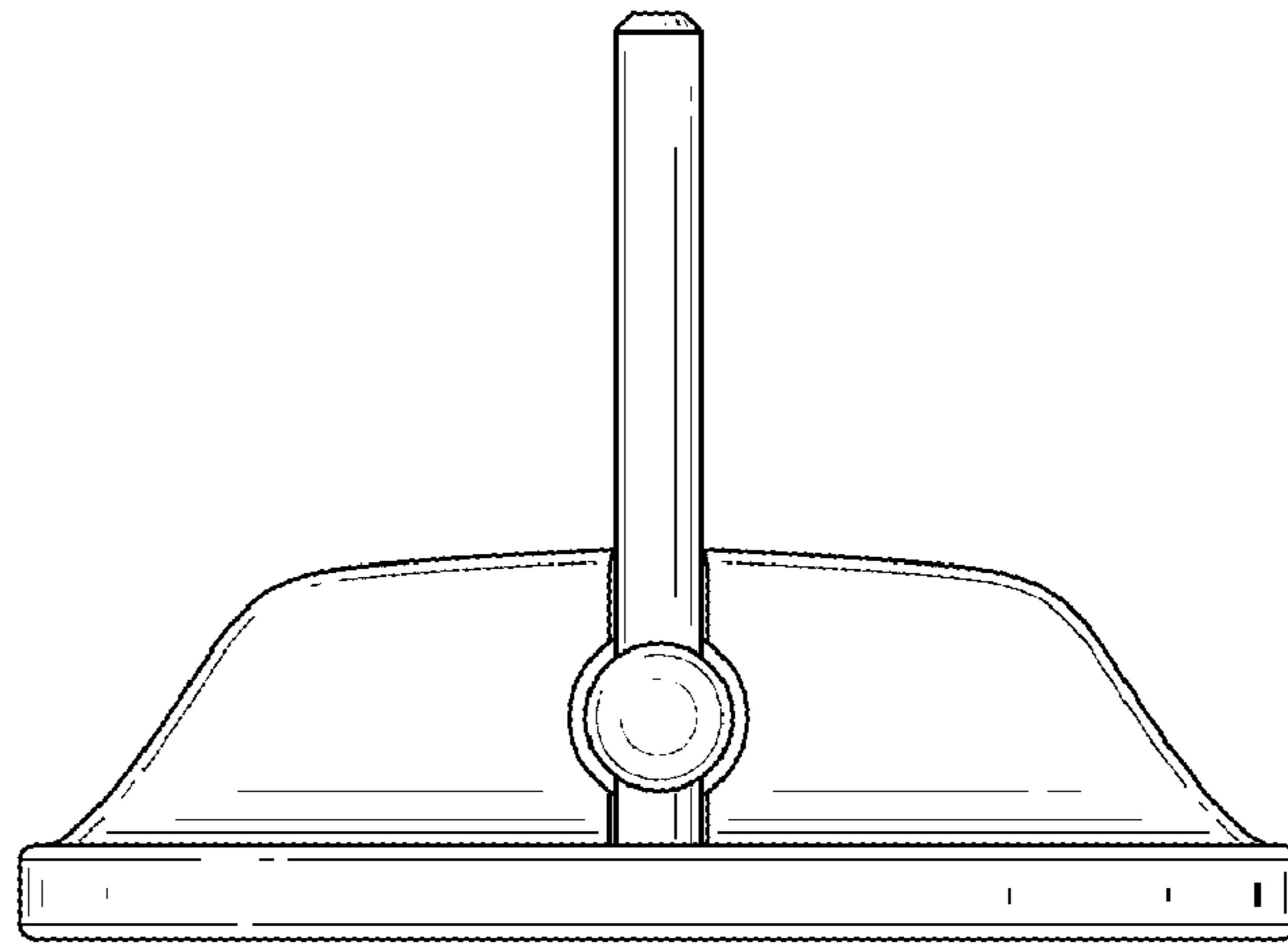
**FIG. 2**



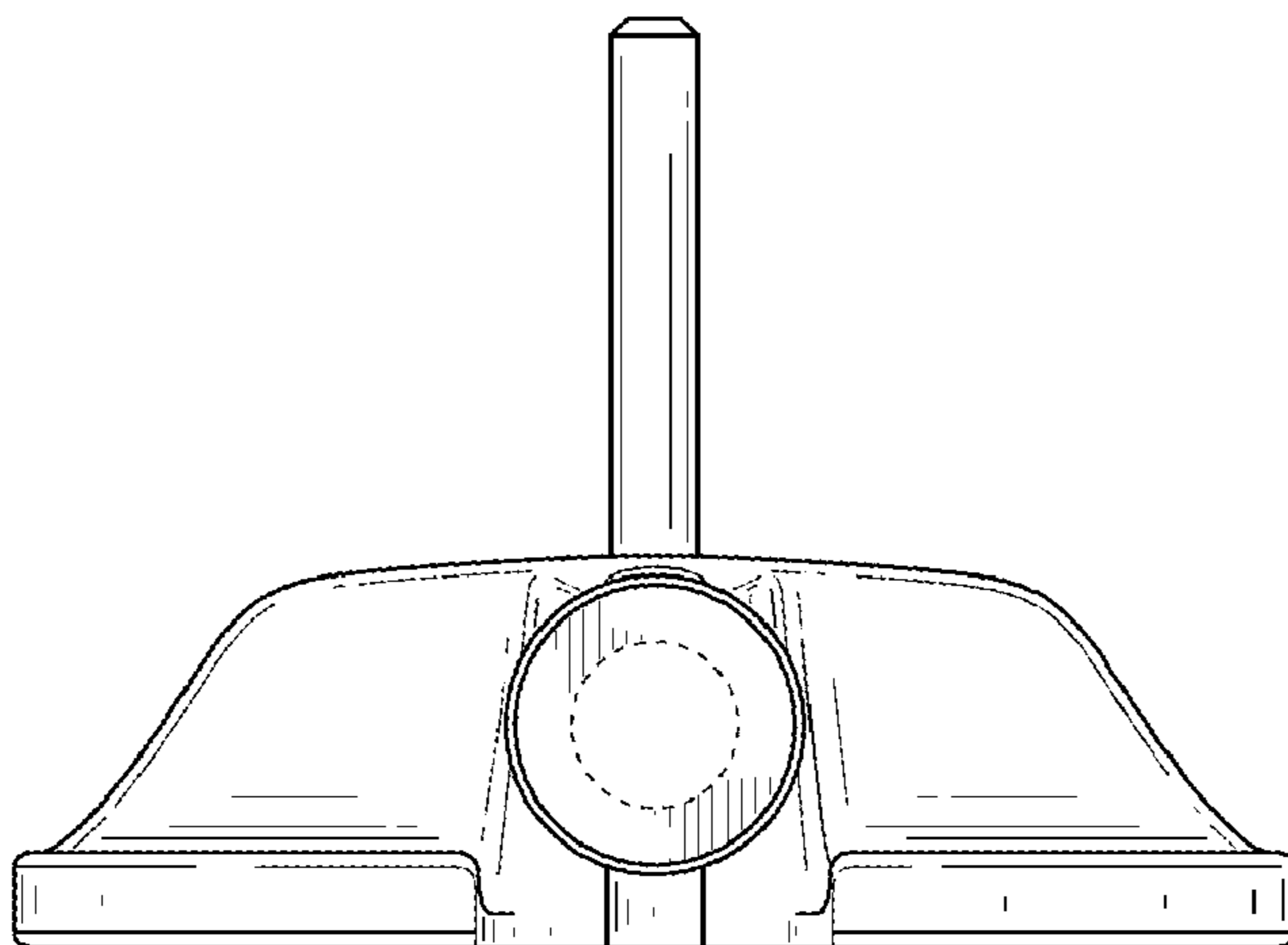
**FIG. 3**



**FIG. 4**



**FIG. 5**



**FIG. 6**