



US00D587089S

(12) **United States Design Patent**
Ali et al.

(10) **Patent No.:** **US D587,089 S**

(45) **Date of Patent:** **** Feb. 24, 2009**

(54) **HAND HOLDER FOR SANDING BLOCK**

(75) Inventors: **Terry Ali**, Xenia, OH (US); **Christopher Ali**, Beavercreek, OH (US)

(73) Assignee: **Ali Industries, Inc.**, Fairborn, OH (US)

(**) Term: **14 Years**

(21) Appl. No.: **29/297,130**

(22) Filed: **Nov. 5, 2007**

(51) **LOC (9) Cl.** **08-05**

(52) **U.S. Cl.** **D8/94; D8/90**

(58) **Field of Classification Search** D8/14,
D8/90; 451/523, 524, 525, 540, 550, 354;
15/236.01, 236.02; D32/40

See application file for complete search history.

(56) **References Cited**

U.S. PATENT DOCUMENTS

5,054,248	A *	10/1991	Thayer	451/524
D329,583	S *	9/1992	Medina	D8/90
D369,411	S *	4/1996	Holt	D8/90
5,662,519	A *	9/1997	Arnold	451/525
D406,037	S *	2/1999	Ali	D8/90
6,267,658	B1 *	7/2001	Ali et al.	451/523
D462,597	S *	9/2002	Deshler	D8/90
D470,381	S *	2/2003	Magann	D8/90
D477,764	S *	7/2003	Magann	D8/90
6,634,937	B1 *	10/2003	Edwards et al.	451/502
6,925,675	B1 *	8/2005	Trunecek	15/236.02
D530,178	S *	10/2006	Bortz	D8/90

* cited by examiner

Primary Examiner—Philip S Hyder

(74) *Attorney, Agent, or Firm*—R. William Graham

(57) **CLAIM**

What is claimed is the ornamental design for the hand holder for sanding block, as shown and described herein.

DESCRIPTION

FIG. 1 is a perspective view of a hand holder for sanding block showing our new design;

FIG. 2 is a top view of a hand holder for sanding block showing our new design;

FIG. 3 is a right side elevation view of a hand holder for sanding block showing our new design;

FIG. 4 is a left side elevation view of a hand holder for sanding block showing our new design;

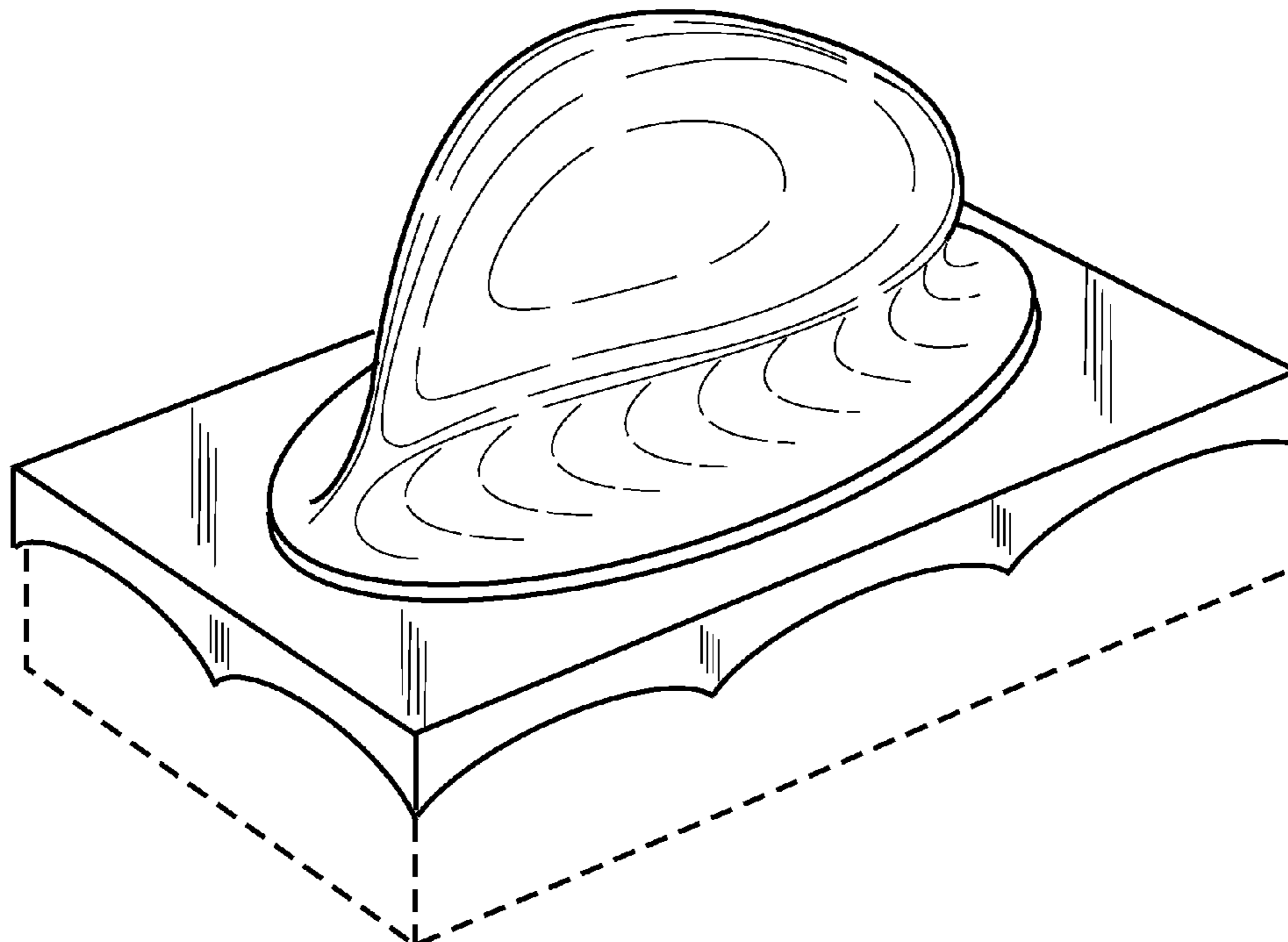
FIG. 5 is a bottom plan view of a hand holder for sanding block showing our new design;

FIG. 6 is back end view of a hand holder for sanding block showing our new design; and,

FIG. 7 is front end view of a hand holder for sanding block showing our new design.

The dotted line in the drawings is intended to represent a sanding block connected to a bottom of the sander and is not part of the claimed design.

1 Claim, 4 Drawing Sheets



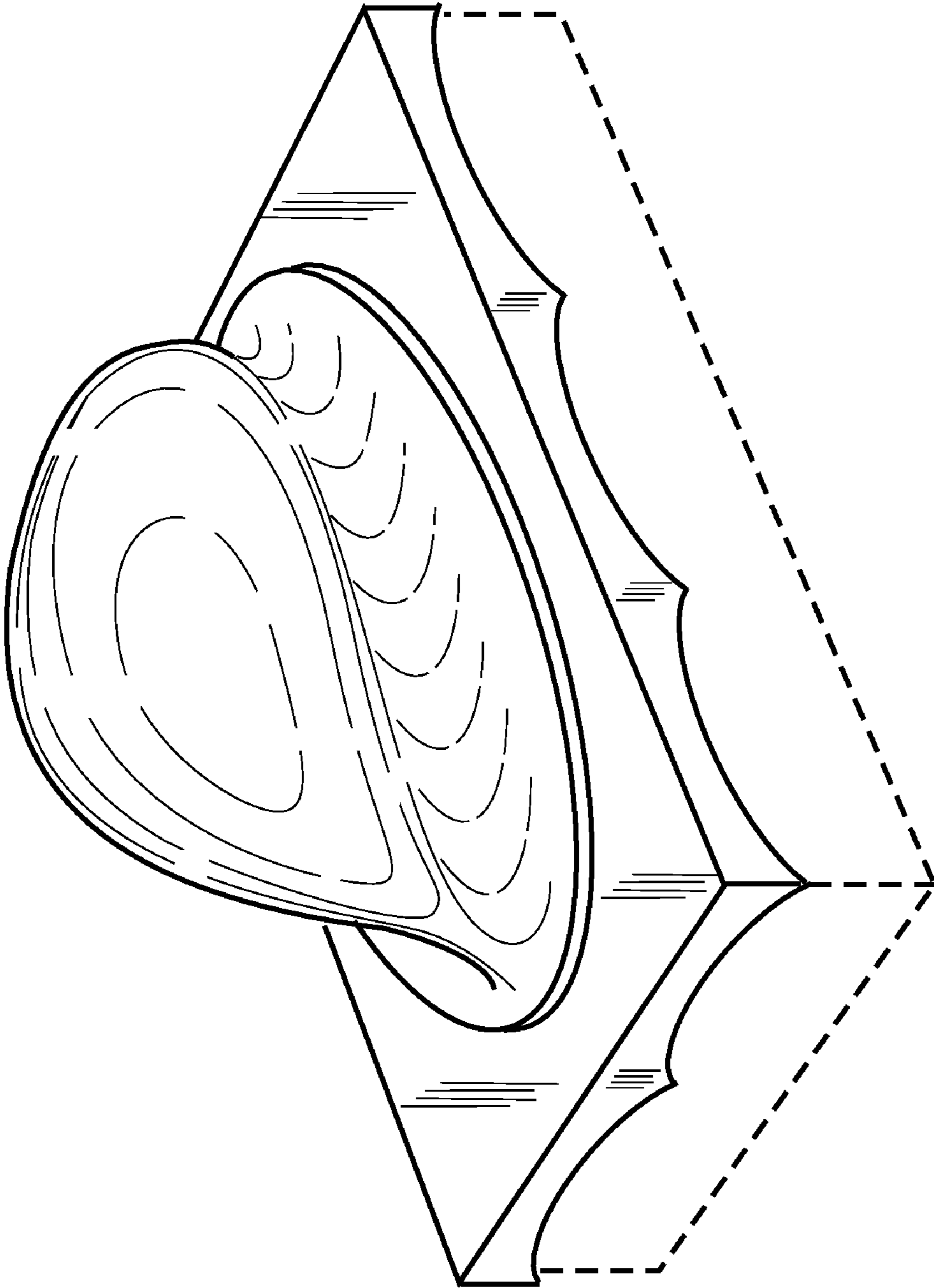


Fig. 1

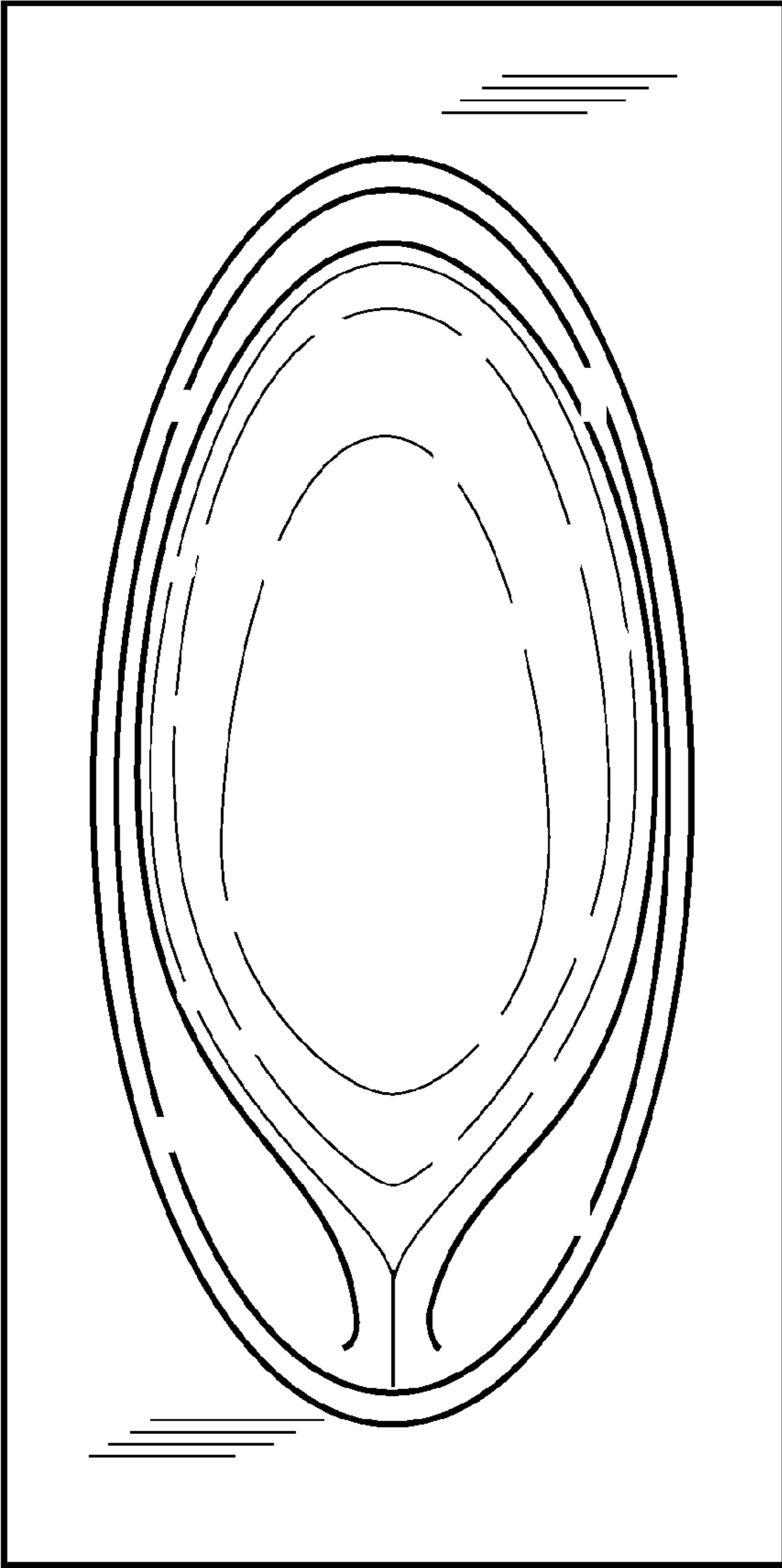


Fig. 2

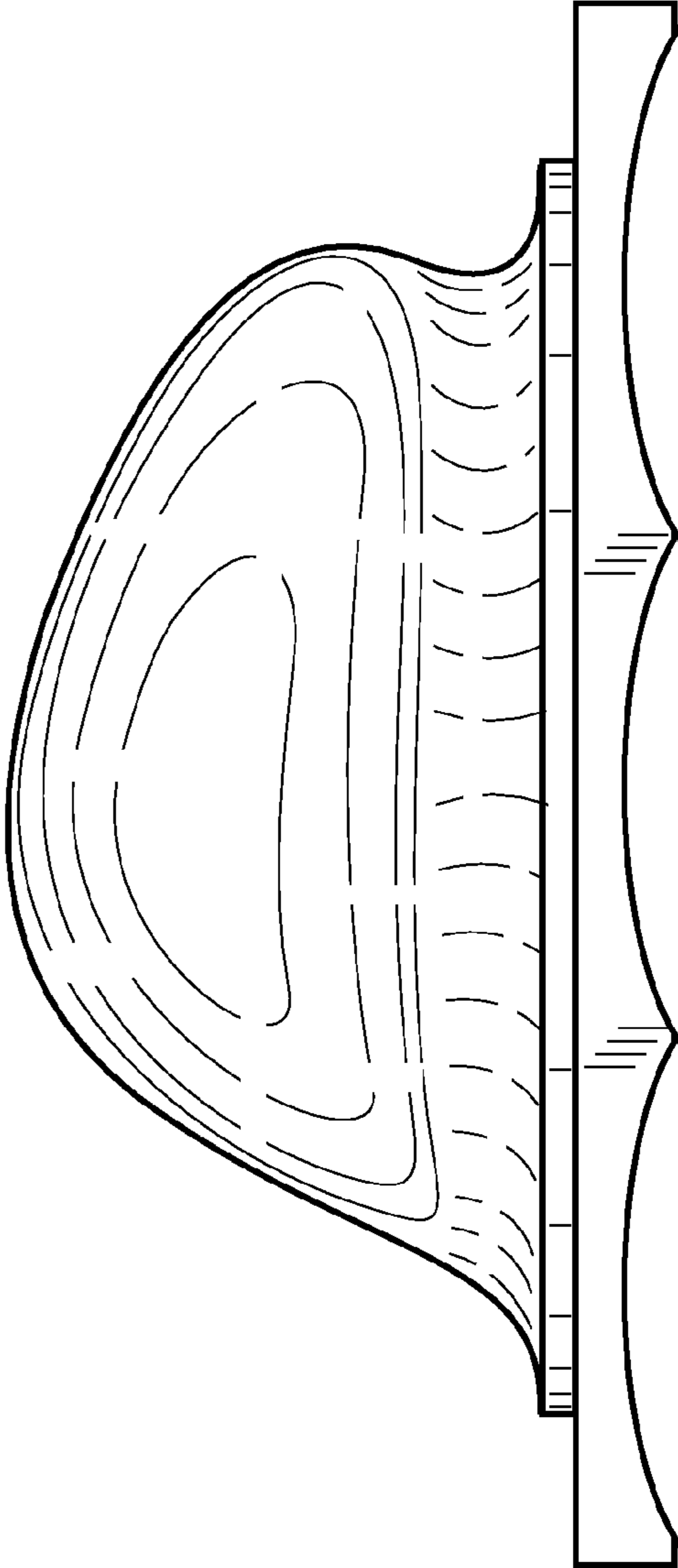


Fig. 3

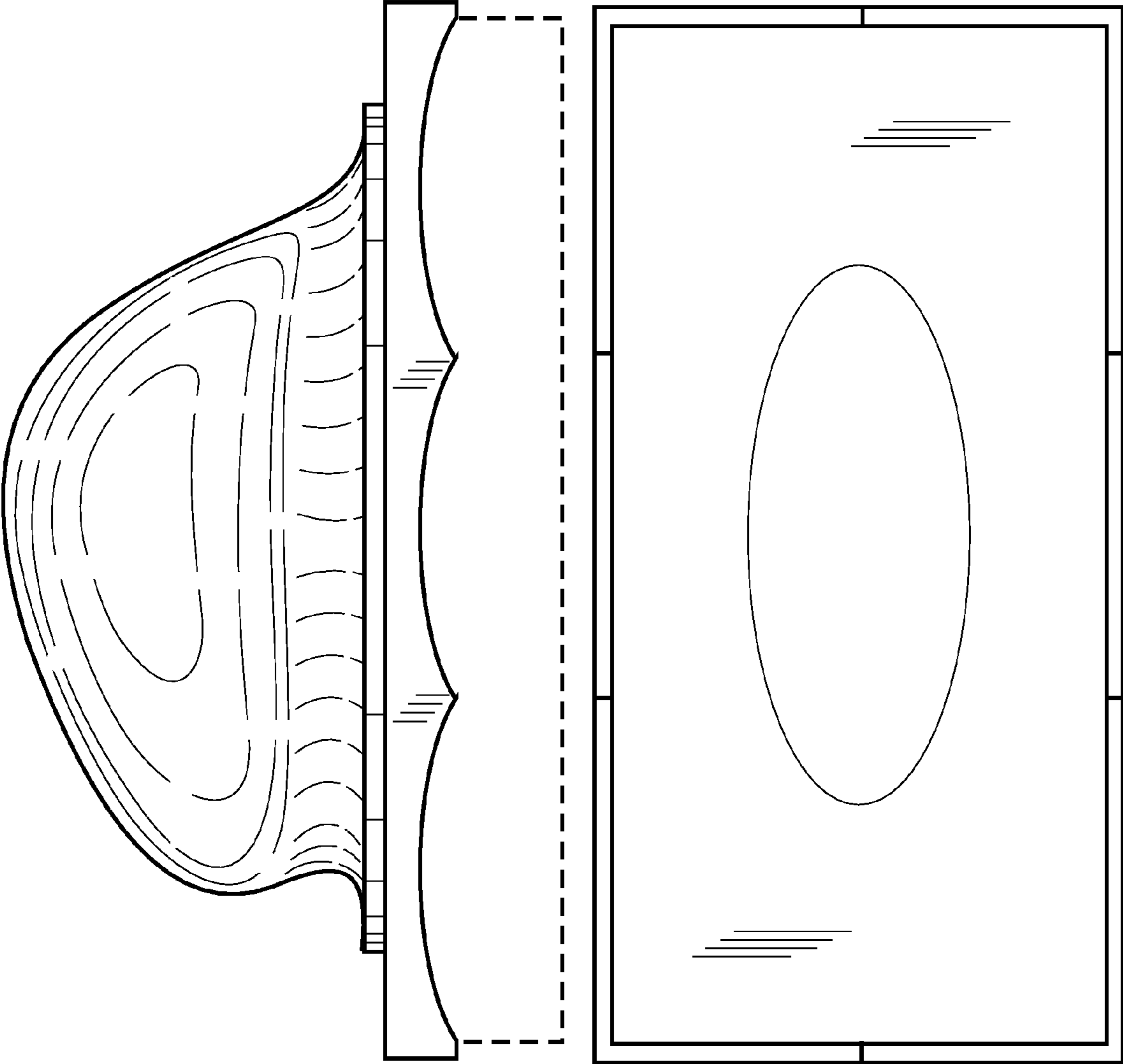


Fig. 4

Fig. 5

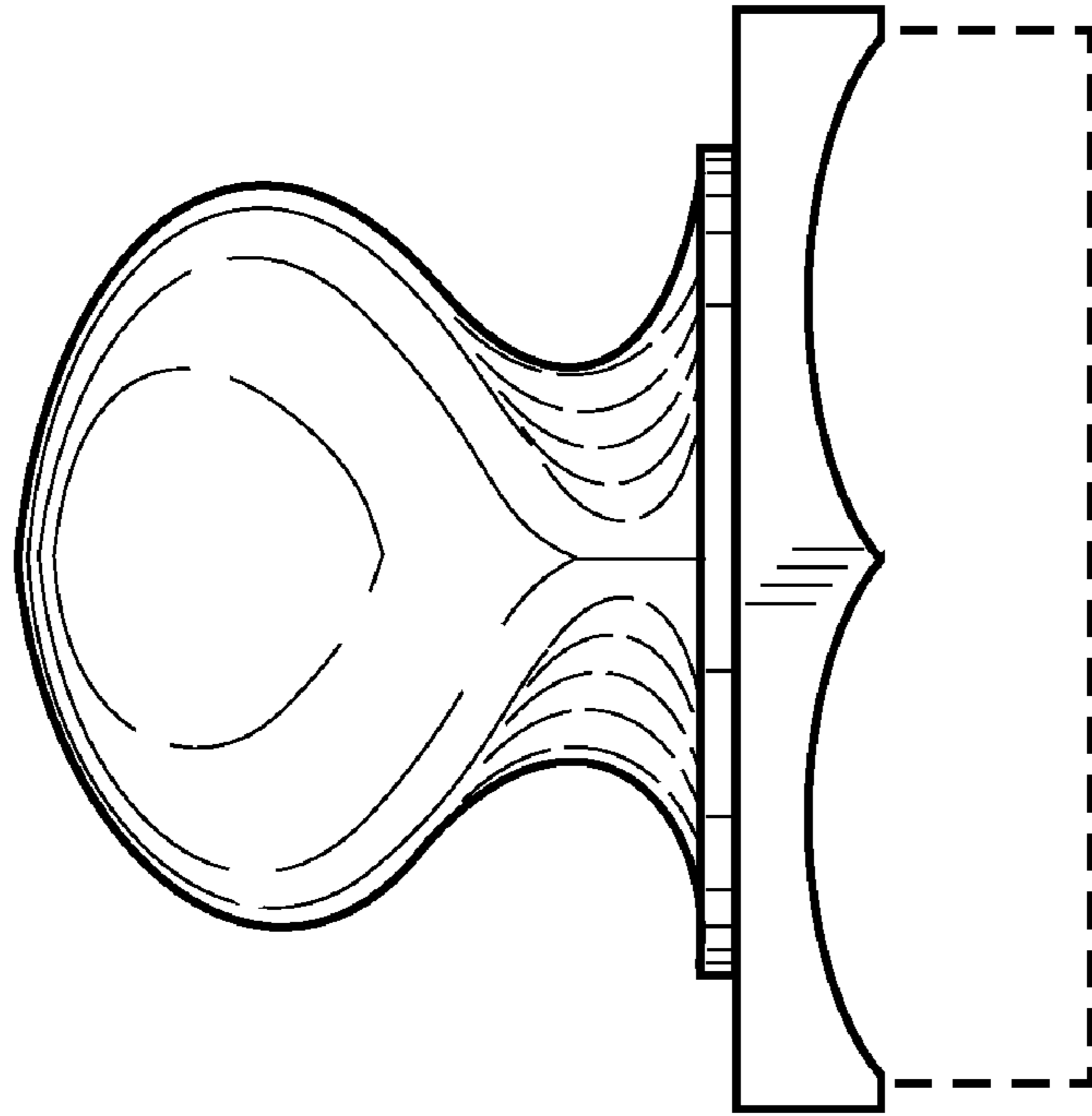


Fig. 7

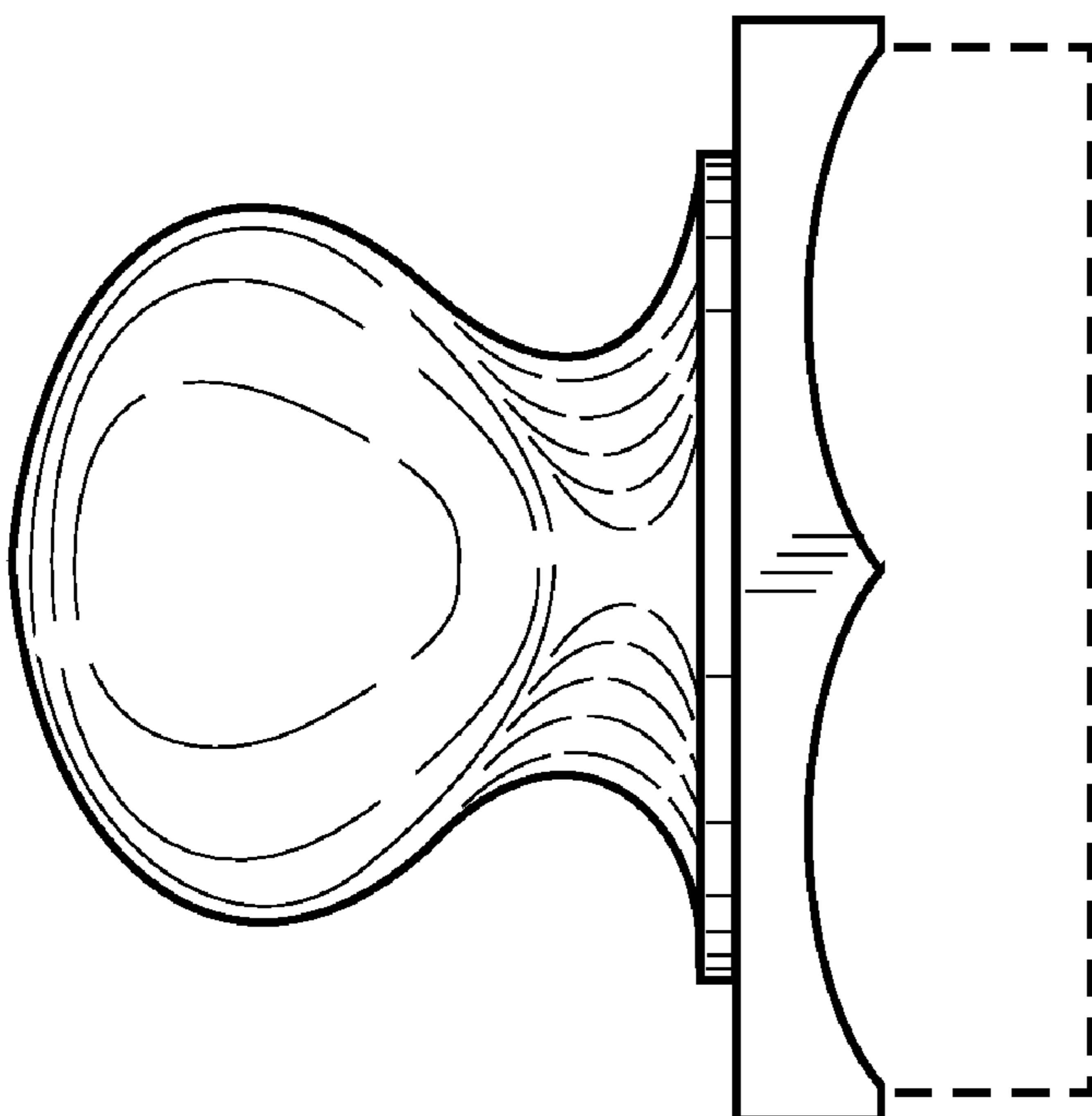


Fig. 6