



US00D587088S

(12) **United States Design Patent**  
**Smith**

(10) **Patent No.:** **US D587,088 S**

(45) **Date of Patent:** **\*\* Feb. 24, 2009**

(54) **ABRASIVE SHARPENER**

D525,509 S \* 7/2006 Weschenfelder ..... D8/93  
D526,876 S \* 8/2006 Smith ..... D8/93

(75) Inventor: **Richard S. Smith**, Hot Springs, AR  
(US)

\* cited by examiner

(73) Assignee: **Smith Abrasives, Inc.**, Hot Springs, AR  
(US)

*Primary Examiner*—Philip S Hyder  
(74) *Attorney, Agent, or Firm*—Edward D. Gilhooly

(\*\*) Term: **14 Years**

(57) **CLAIM**

(21) Appl. No.: **29/301,740**

The ornamental design for the abrasive sharpener, as shown and described.

(22) Filed: **Mar. 14, 2008**

**DESCRIPTION**

(51) **LOC (9) Cl.** ..... **08-05**

FIG. 1 is a front perspective view of the ornamental design for abrasive sharpener of the invention;

(52) **U.S. Cl.** ..... **D8/93**

FIG. 2 is a left elevational end view, viewing FIG. 1, of the ornamental design for abrasive sharpener of FIG. 1;

(58) **Field of Classification Search** ..... D8/91,  
D8/92, 93, 94; 76/82, 84, 86, 88; 451/540,  
451/555, 557, 558, 559

FIG. 3 is a front elevational view of the ornamental design for two abrasive sharpener of FIG. 1;

See application file for complete search history.

FIG. 4 is a back elevational view of the ornamental design for abrasive sharpener of FIG. 1;

(56) **References Cited**

**U.S. PATENT DOCUMENTS**

D299,308 S *	1/1989	Prindle	.....	D8/93
D315,663 S *	3/1991	Dolbosco	.....	D8/93
D323,450 S *	1/1992	Shimizu	.....	D8/93
D357,395 S *	4/1995	Friel	.....	D8/93
D368,217 S *	3/1996	Friel	.....	D8/93
D372,181 S *	7/1996	Kelley	.....	D8/93
D392,869 S *	3/1998	Rieser	.....	D8/93
D402,523 S *	12/1998	Thomas	.....	D8/93
D500,439 S *	1/2005	Rosenthal	.....	D8/93
D519,815 S *	5/2006	Friel et al.	.....	D8/91

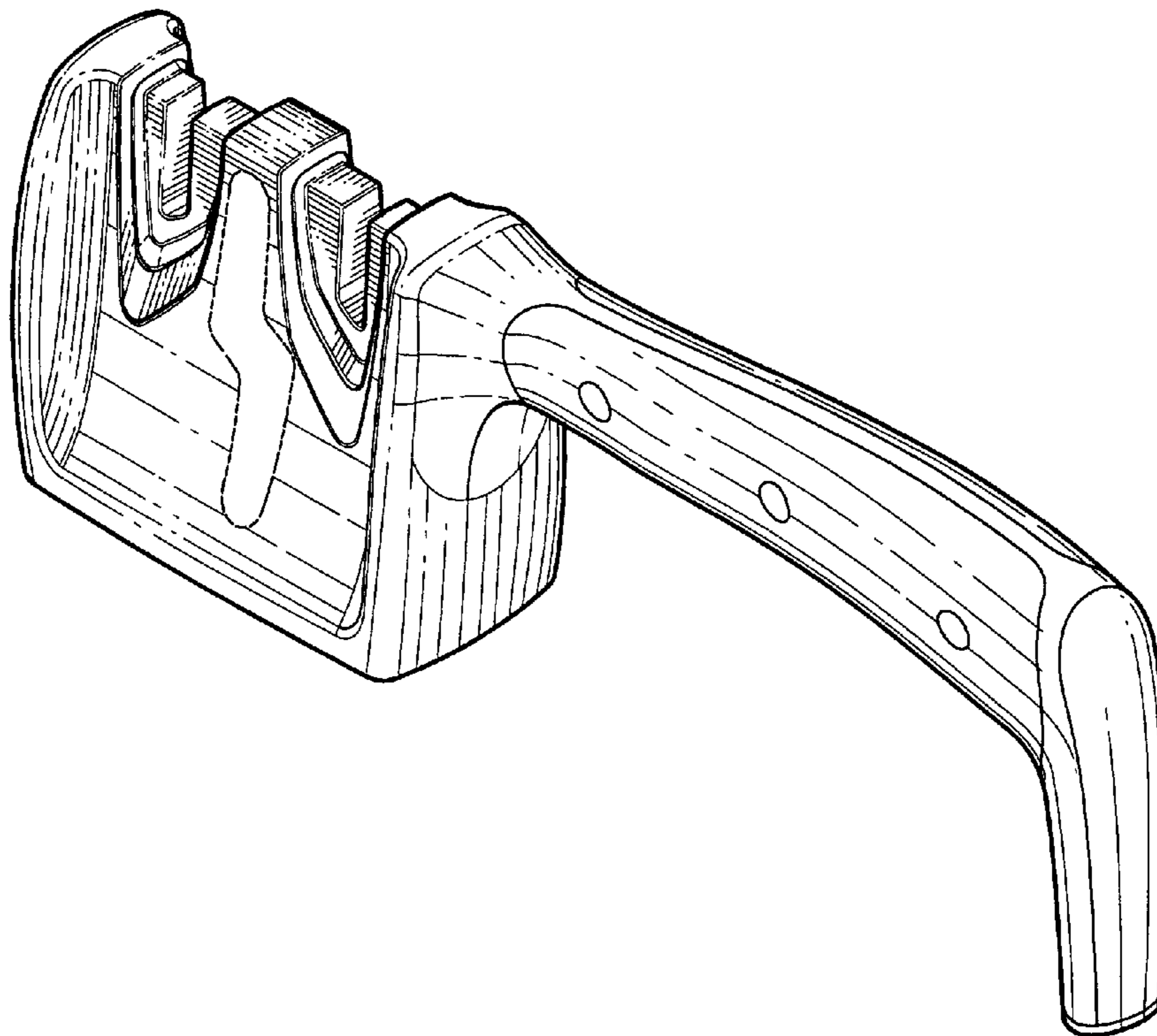
FIG. 5 is a right end elevational view, viewing FIG. 1, of the ornamental design for abrasive sharpener of FIG. 1.

FIG. 6 is a top plan view of the ornamental design for abrasive sharpener of FIG. 1; and,

FIG. 7 is a bottom plan view of the ornamental design for abrasive sharpener of FIG. 1.

The broken lines define unclaimed portions of the design.

**1 Claim, 4 Drawing Sheets**



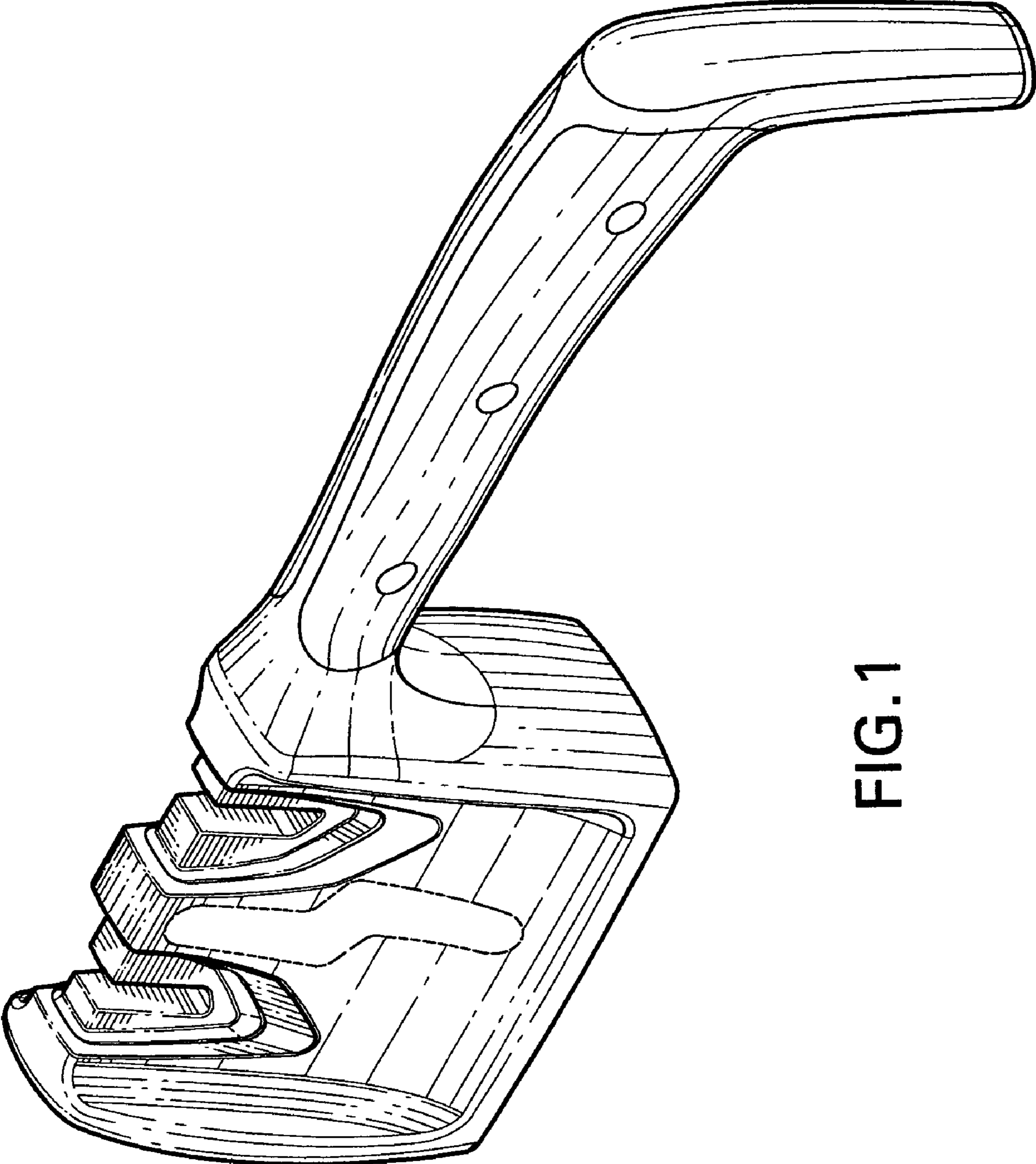


FIG. 1

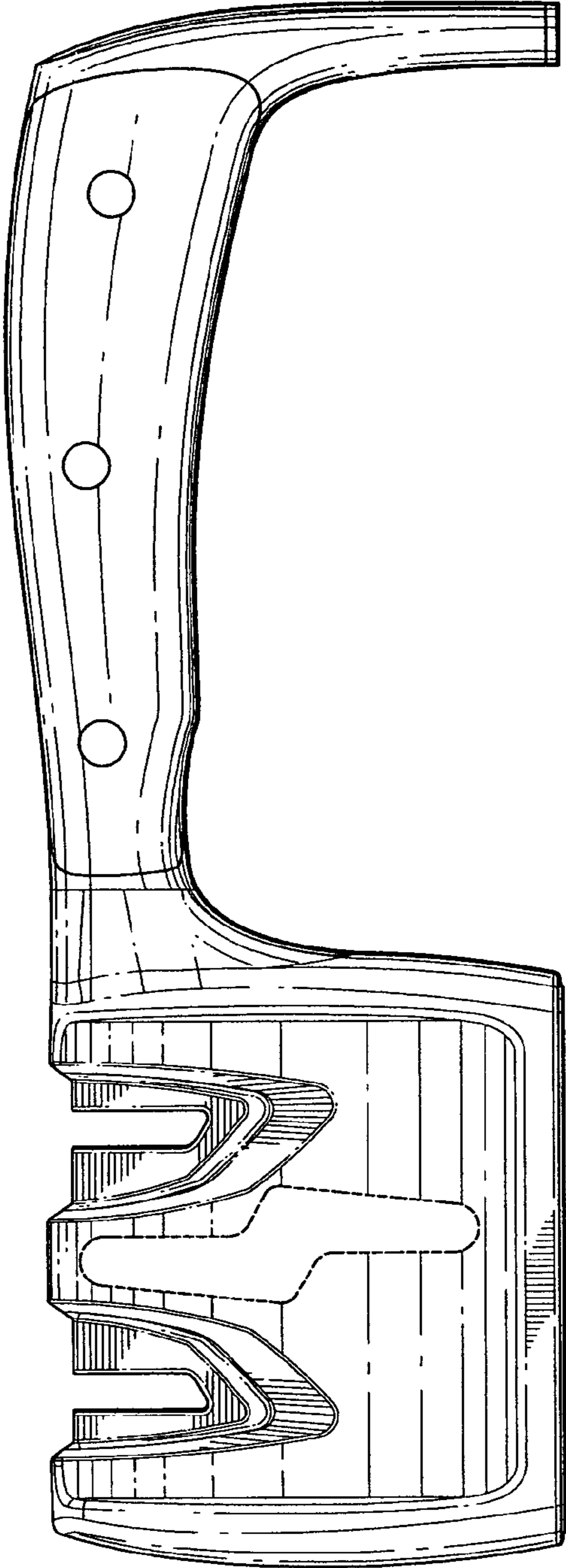


FIG. 2

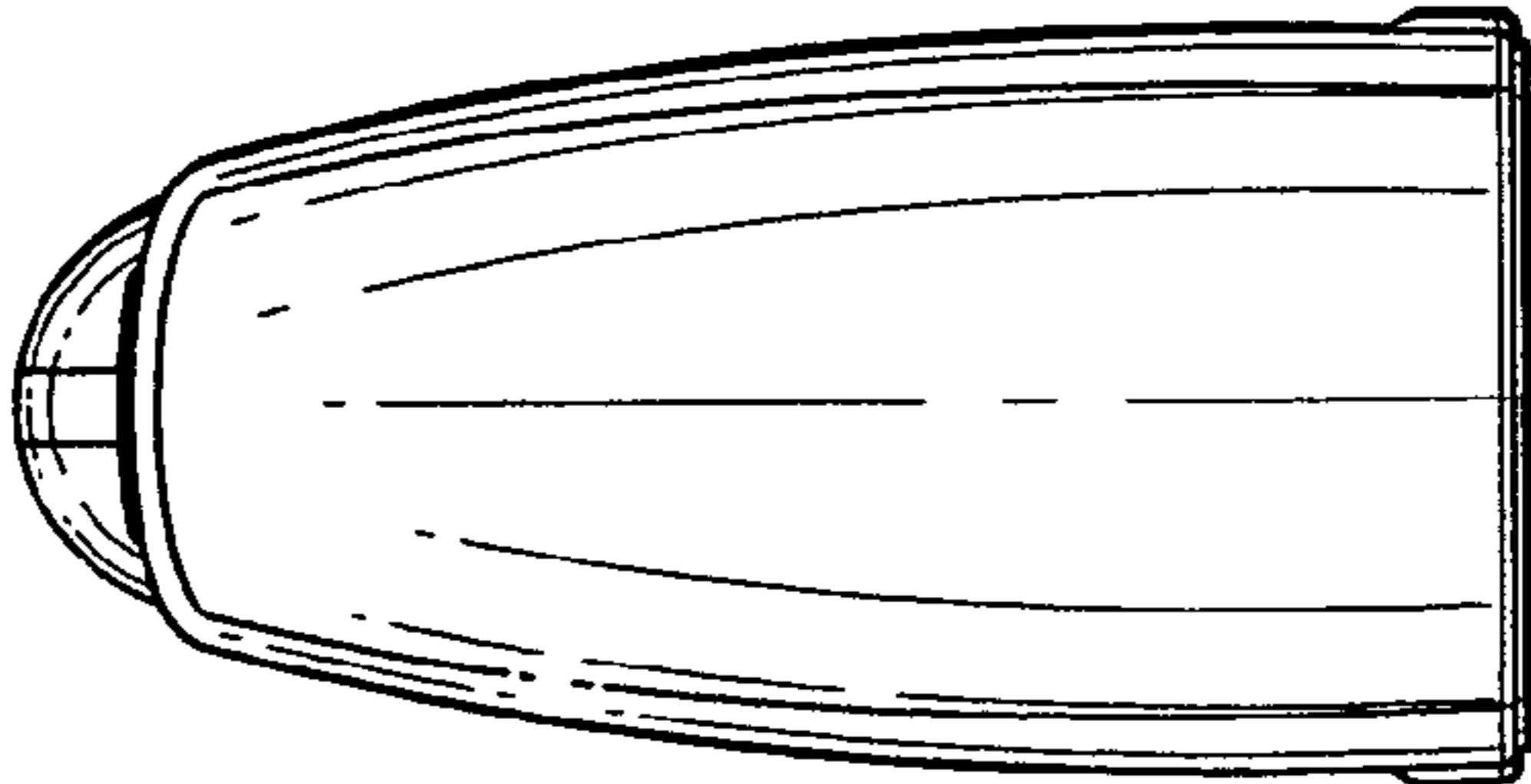


FIG. 3

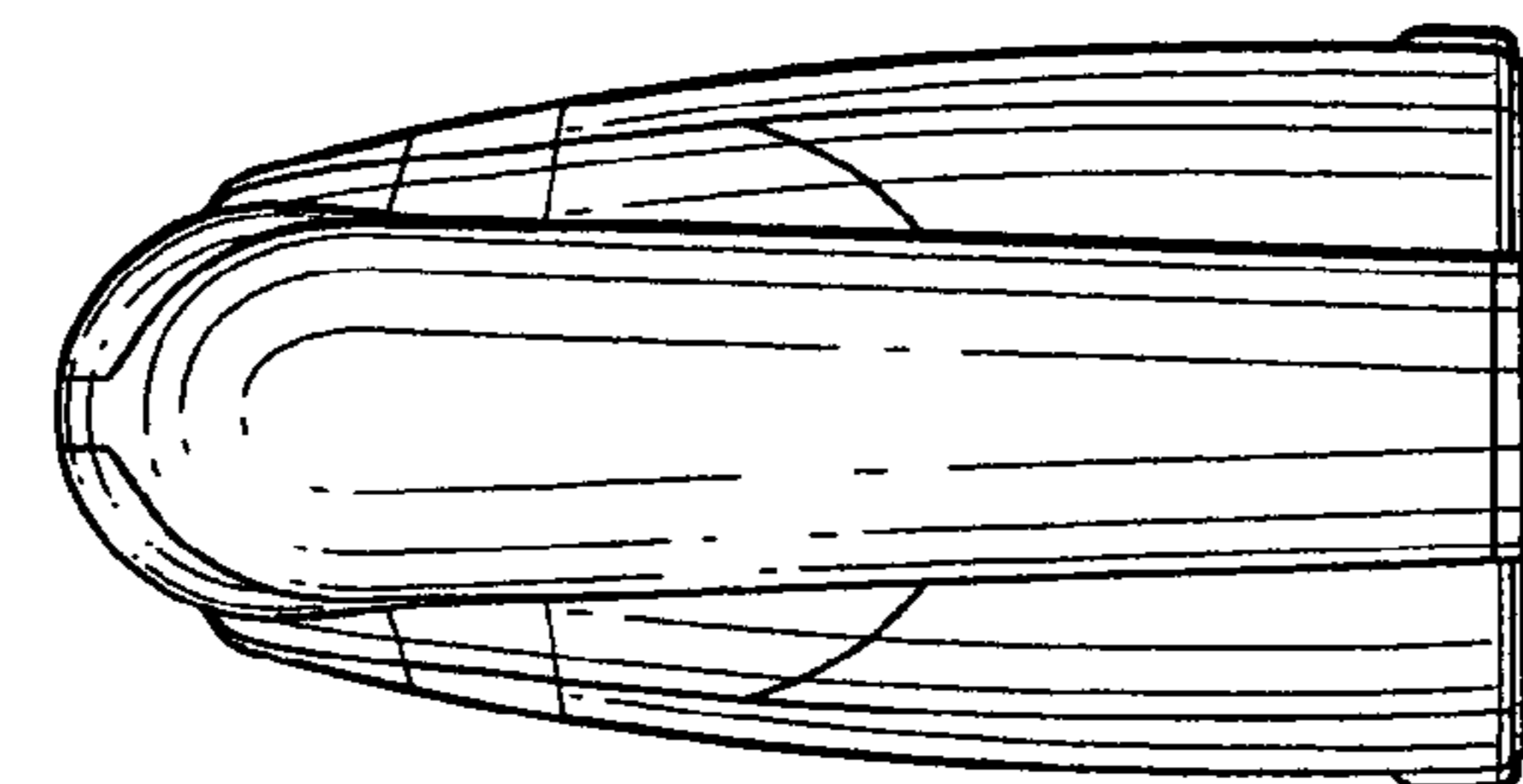


FIG. 5

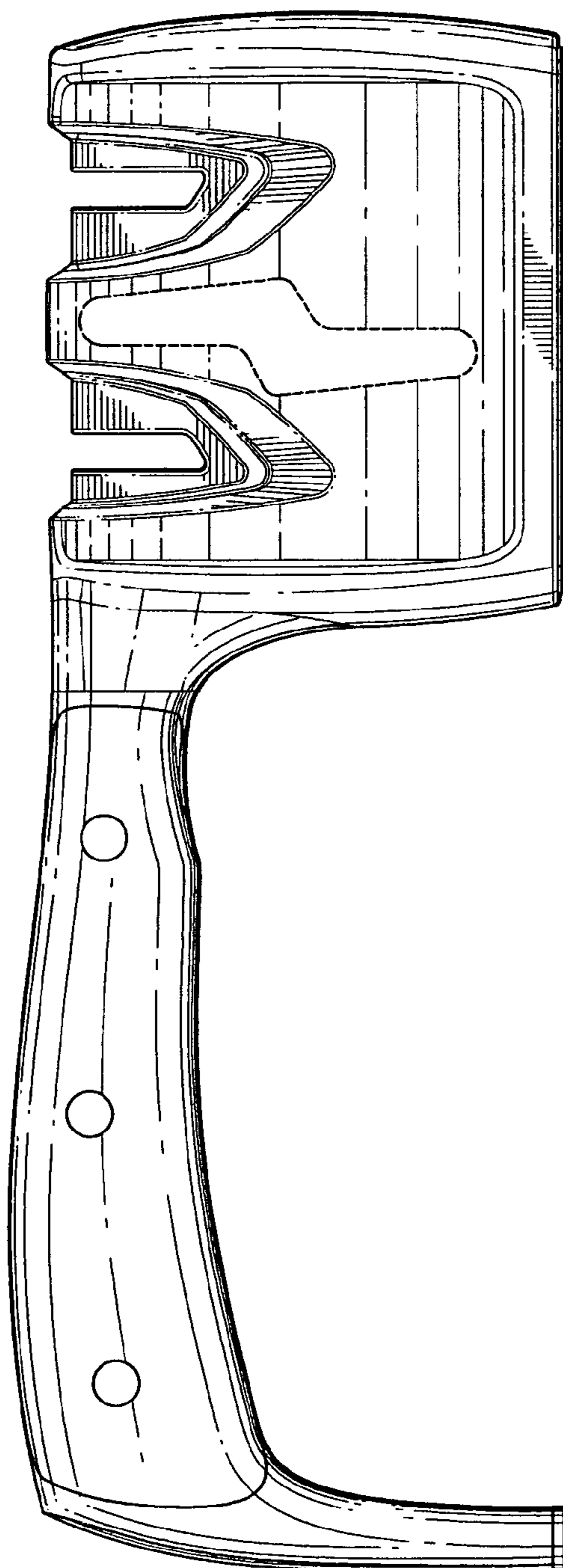


FIG. 4

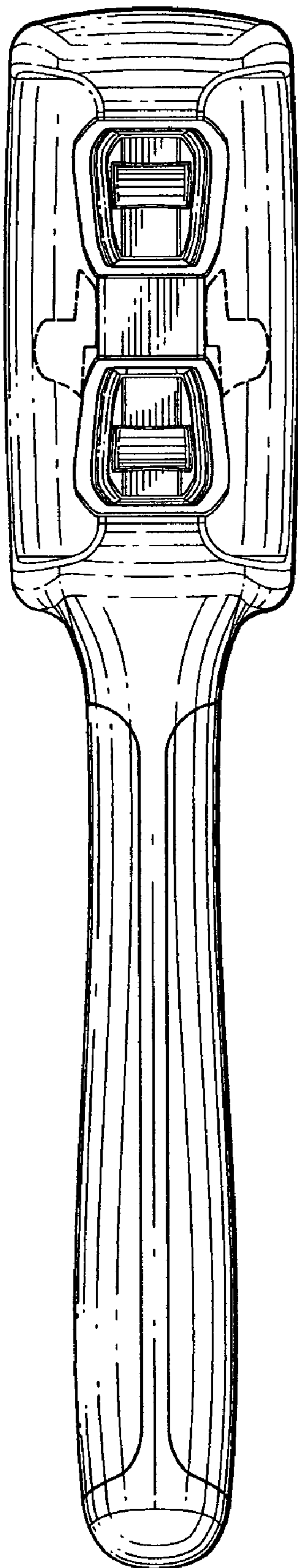


FIG. 6

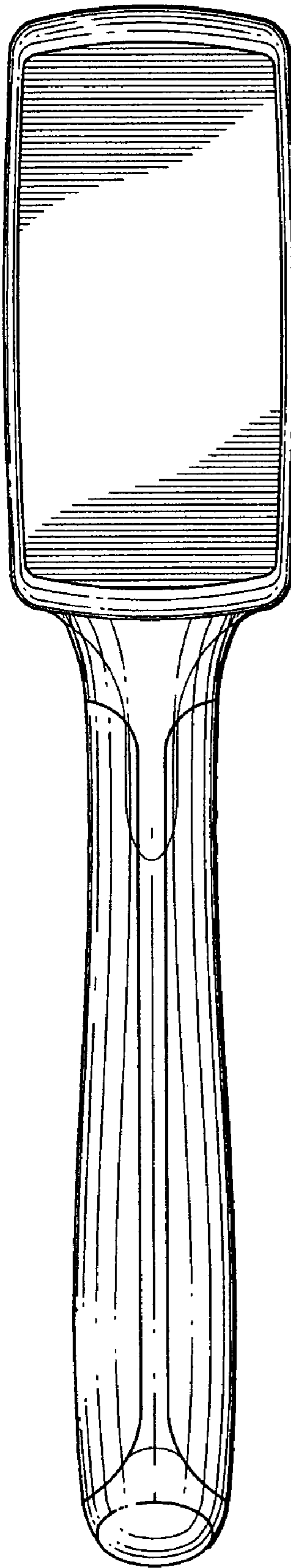


FIG. 7