



US00D587087S

(12) **United States Design Patent**  
**Takeda et al.**

(10) **Patent No.:** **US D587,087 S**

(45) **Date of Patent:** **\*\* Feb. 24, 2009**

(54) **CLAMPING APPARATUS**

(75) Inventors: **Kenichi Takeda**, Tsukubamirai (JP);  
**Tsuyoshi Asaba**, Tsukubamirai (JP)

(73) Assignee: **SMC Corporation**, Tokyo (JP)

(\*\*) Term: **14 Years**

(21) Appl. No.: **29/295,487**

(22) Filed: **Sep. 28, 2007**

(30) **Foreign Application Priority Data**

Mar. 28, 2007 (JP) ..... 2007-007850

(51) **LOC (9) Cl.** ..... **08-05**

(52) **U.S. Cl.** ..... **D8/72**

(58) **Field of Classification Search** ..... D8/71-74,  
D8/394, 396, 397, 399; 248/72, 689, 124.2;  
81/487, 427, 321; 269/3, 6, 143, 165, 240,  
269/243; 29/256, 257, 276; D15/140; 92/19  
See application file for complete search history.

(56) **References Cited**

**U.S. PATENT DOCUMENTS**

390,863 A \* 10/1888 Kelly ..... 269/243  
4,151,792 A \* 5/1979 Nearhood ..... D8/72  
D261,353 S \* 10/1981 Ambler et al. .... D8/71  
D261,392 S \* 10/1981 Miyakawa ..... D15/140  
D324,992 S \* 3/1992 Ono et al. .... D8/396

D364,546 S \* 11/1995 Tieffel et al. .... D8/71  
D389,888 S \* 1/1998 Weissenborn ..... D8/74  
D431,040 S \* 9/2000 Makabe et al. .... D15/140  
D435,415 S \* 12/2000 Johnson et al. .... D8/71  
D438,441 S \* 3/2001 Nagai et al. .... D8/72  
D440,138 S \* 4/2001 Campbell ..... D8/71  
6,382,078 B1 \* 5/2002 Numata ..... 92/19  
D480,938 S \* 10/2003 Whitley ..... D8/71

\* cited by examiner

*Primary Examiner*—Louis S Zarfaz

*Assistant Examiner*—David G Muller

(74) *Attorney, Agent, or Firm*—Oblon, Spivak, McClelland,  
Maier & Neustadt, P.C.

(57) **CLAIM**

The ornamental design for a clamping apparatus, as shown.

**DESCRIPTION**

FIG. 1 is a top and left front perspective view of a clamping apparatus, showing our new design;

FIG. 2 is a front elevational view thereof;

FIG. 3 is a left side elevational view thereof;

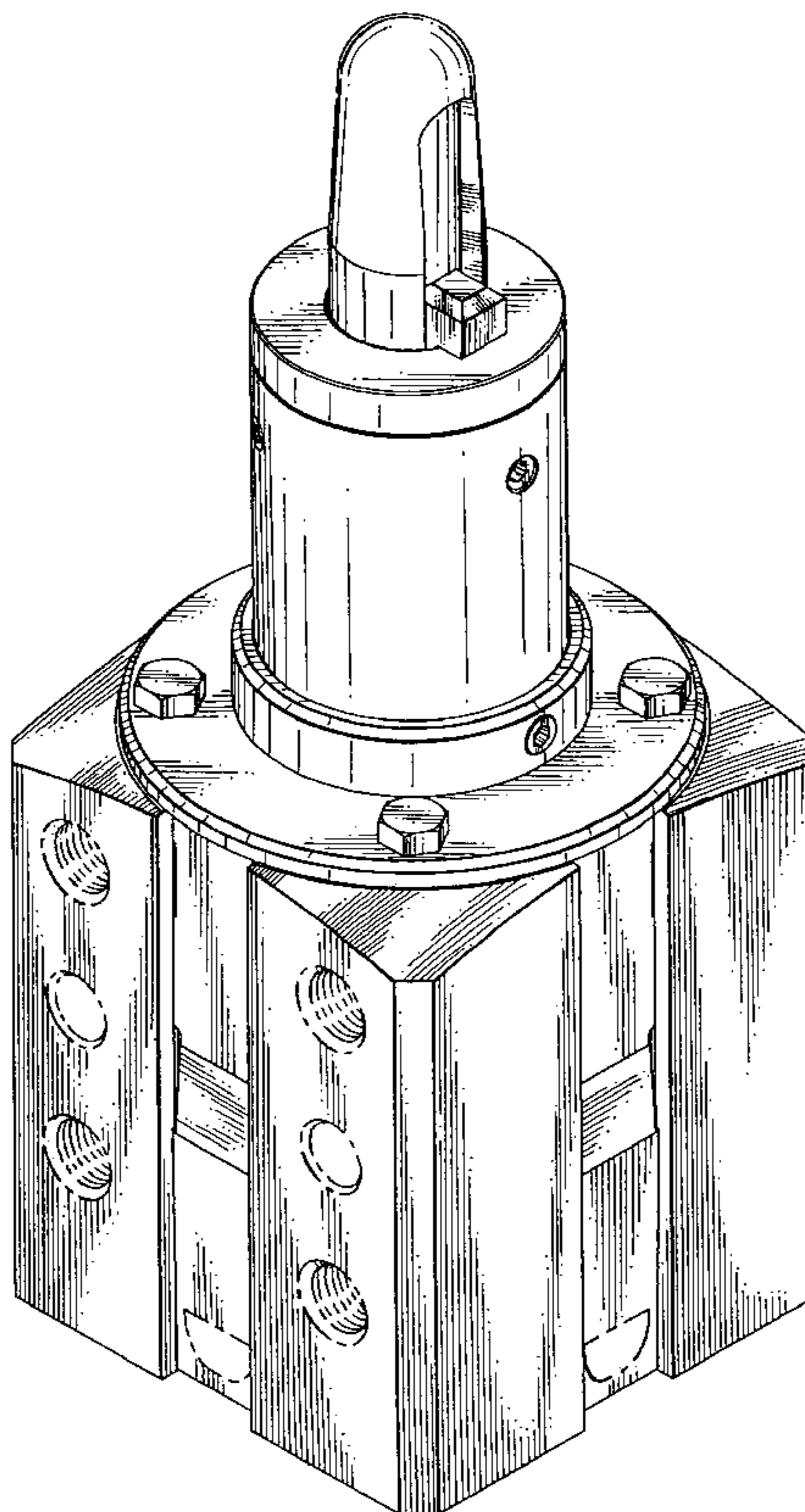
FIG. 4 is a rear elevational view thereof;

FIG. 5 is a right side elevational view thereof;

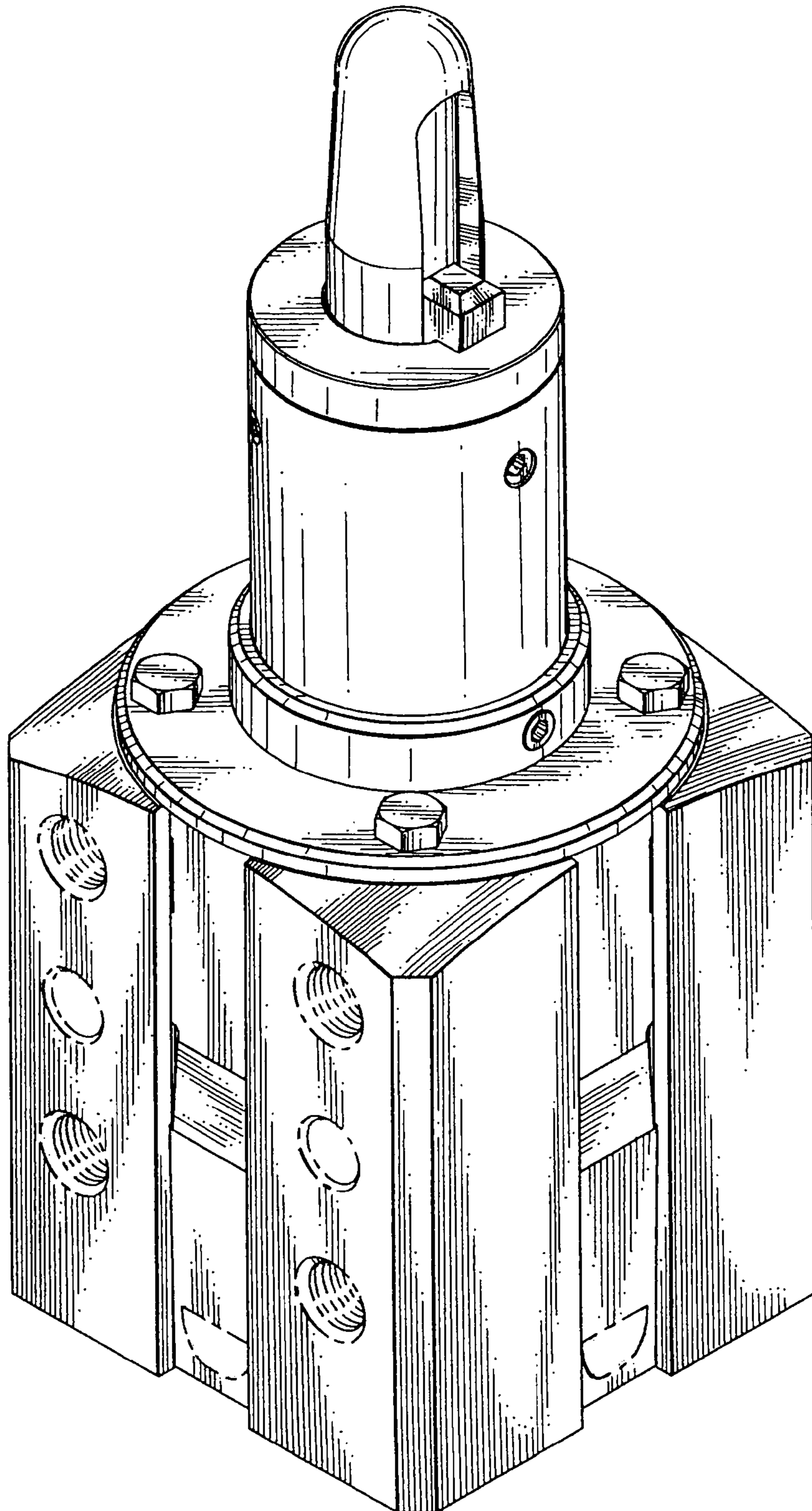
FIG. 6 is a top plan view thereof; and,

FIG. 7 is a bottom plan view thereof.

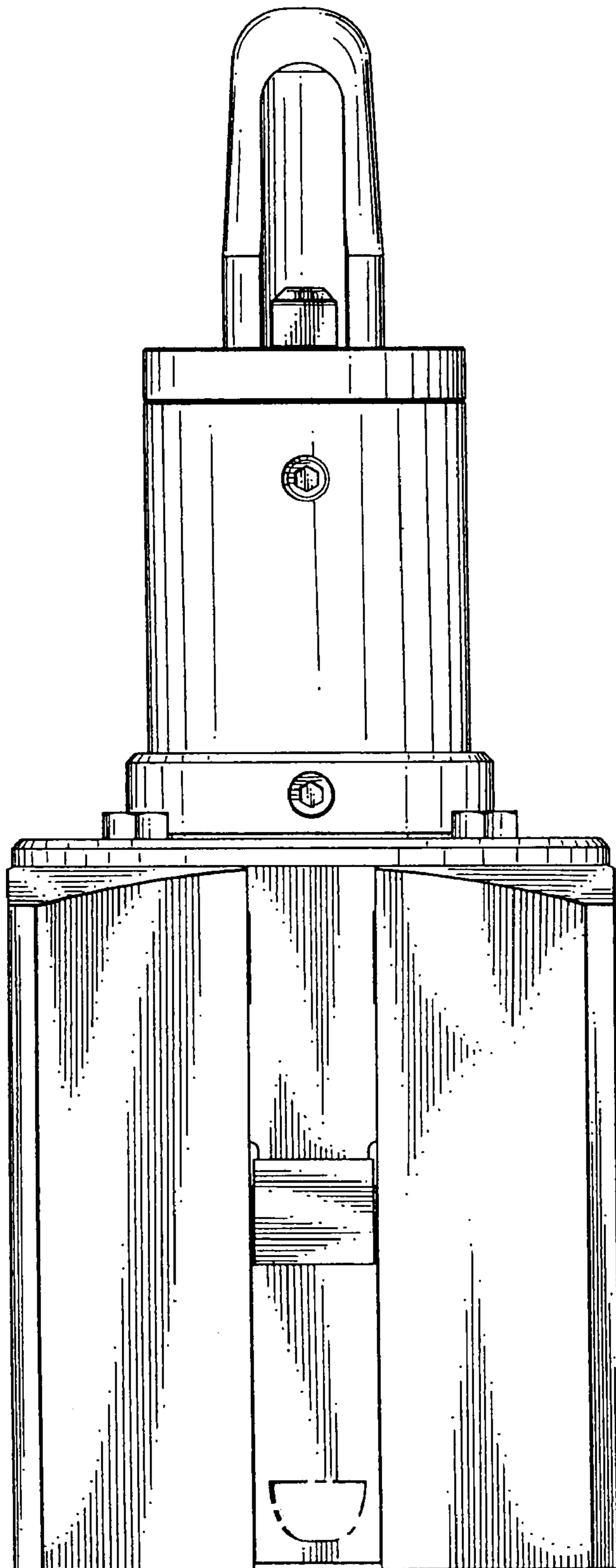
**1 Claim, 6 Drawing Sheets**



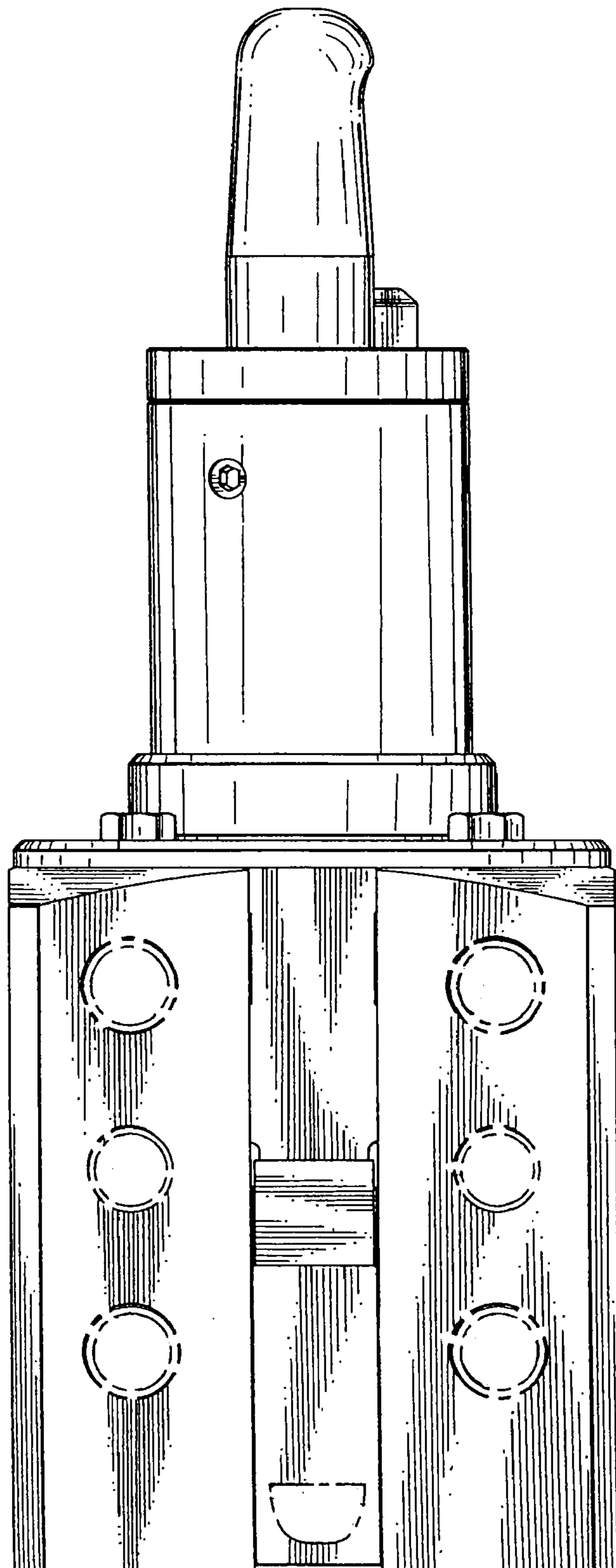
*FIG. 1*



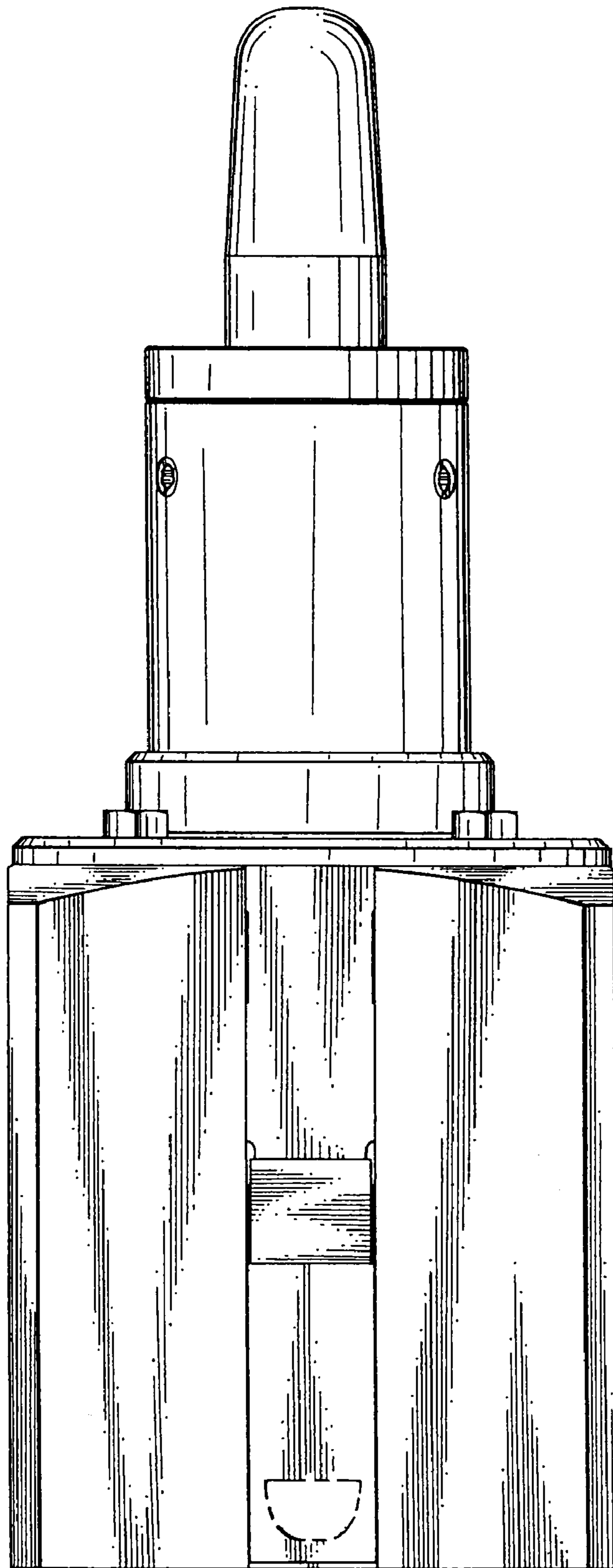
*FIG. 2*



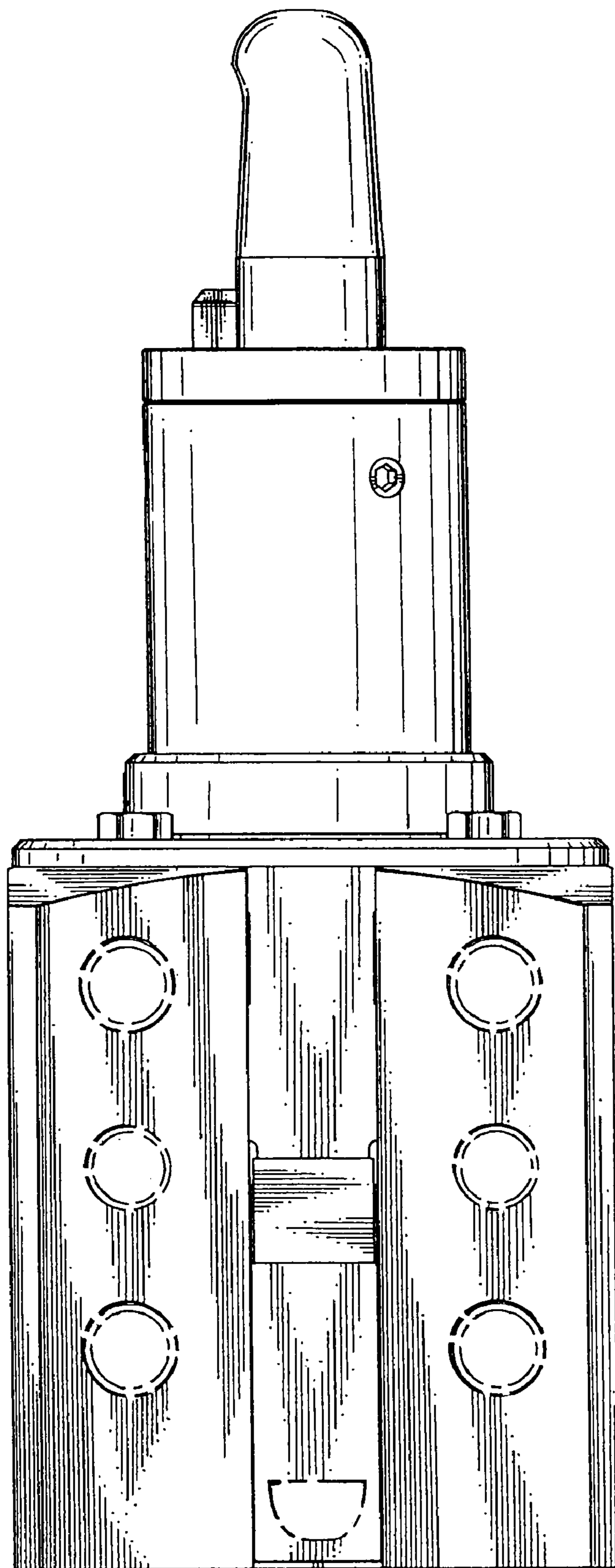
*FIG. 3*



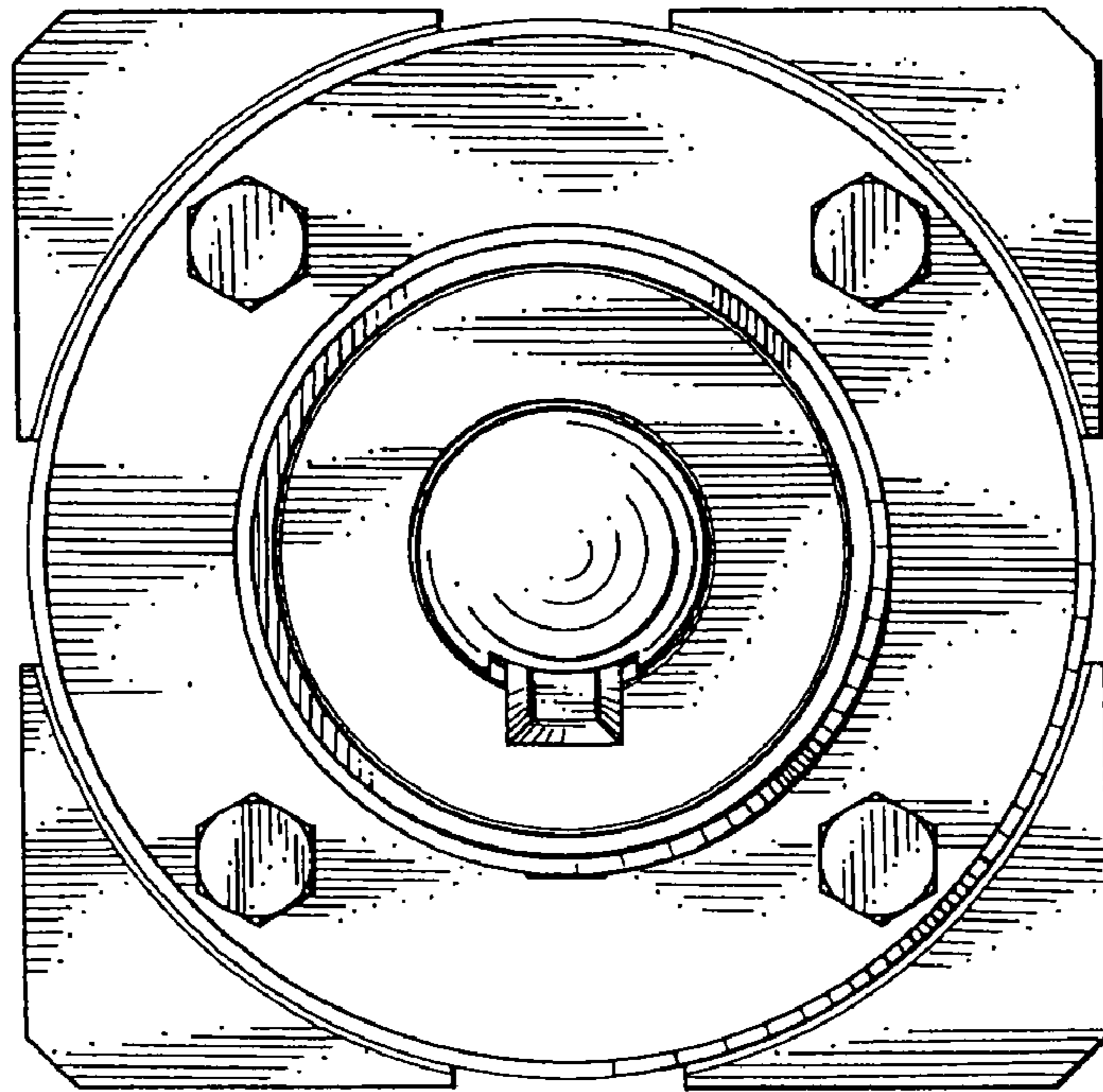
*FIG. 4*



*FIG. 5*



*FIG. 6*



*FIG. 7*

