



US00D587086S

(12) **United States Design Patent**  
**Busschaert et al.**

(10) **Patent No.:** **US D587,086 S**

(45) **Date of Patent:** **\*\* Feb. 24, 2009**

(54) **SHOCK ABSORBER FOR POWER TOOL**

2006/0289185 A1\* 12/2006 Hahn ..... 173/210

(75) Inventors: **Jason F. Busschaert**, Baltimore, MD (US); **Kathy E. DiPasquale**, Baltimore, MD (US); **Stuart J. Wright**, Baltimore, MD (US)

\* cited by examiner

*Primary Examiner*—Holly H Baynham  
*Assistant Examiner*—Cynthia M Chin  
(74) *Attorney, Agent, or Firm*—Michael Aronoff; Adan Ayala

(73) Assignee: **Black & Decker Inc.**, Newark, DE (US)

(57) **CLAIM**

(\*\*) Term: **14 Years**

The ornamental design for a shock absorber for power tool, as shown and described.

(21) Appl. No.: **29/301,779**

(22) Filed: **Mar. 14, 2008**

**DESCRIPTION**

(51) **LOC (9) Cl.** ..... **08-05**

FIG. 1 is a right perspective view of a shock absorber for power tool showing the new design.

(52) **U.S. Cl.** ..... **D8/70**

FIG. 2 is a left perspective view thereof.

(58) **Field of Classification Search** ..... D8/61-70;  
D15/138-143; 279/19.5, 19.6, 19.7; 173/210  
See application file for complete search history.

FIG. 3 is a front view thereof.

FIG. 4 is a rear view thereof.

(56) **References Cited**

FIG. 5 is a right side view thereof.

FIG. 6 is a left side view thereof.

**U.S. PATENT DOCUMENTS**

FIG. 7 is a top view thereof; and,

FIG. 8 is a bottom view thereof.

D244,665 S \* 6/1977 Krom ..... D8/70

The broken lines immediately adjacent the shaded areas represent the bounds of the claim and all other broken lines represent portions of the design that form no part of the claim.

D330,208 S \* 10/1992 Hawley ..... D15/143

D533,425 S \* 12/2006 Yaksich ..... D8/70

D537,315 S \* 2/2007 Yaksich ..... D8/70

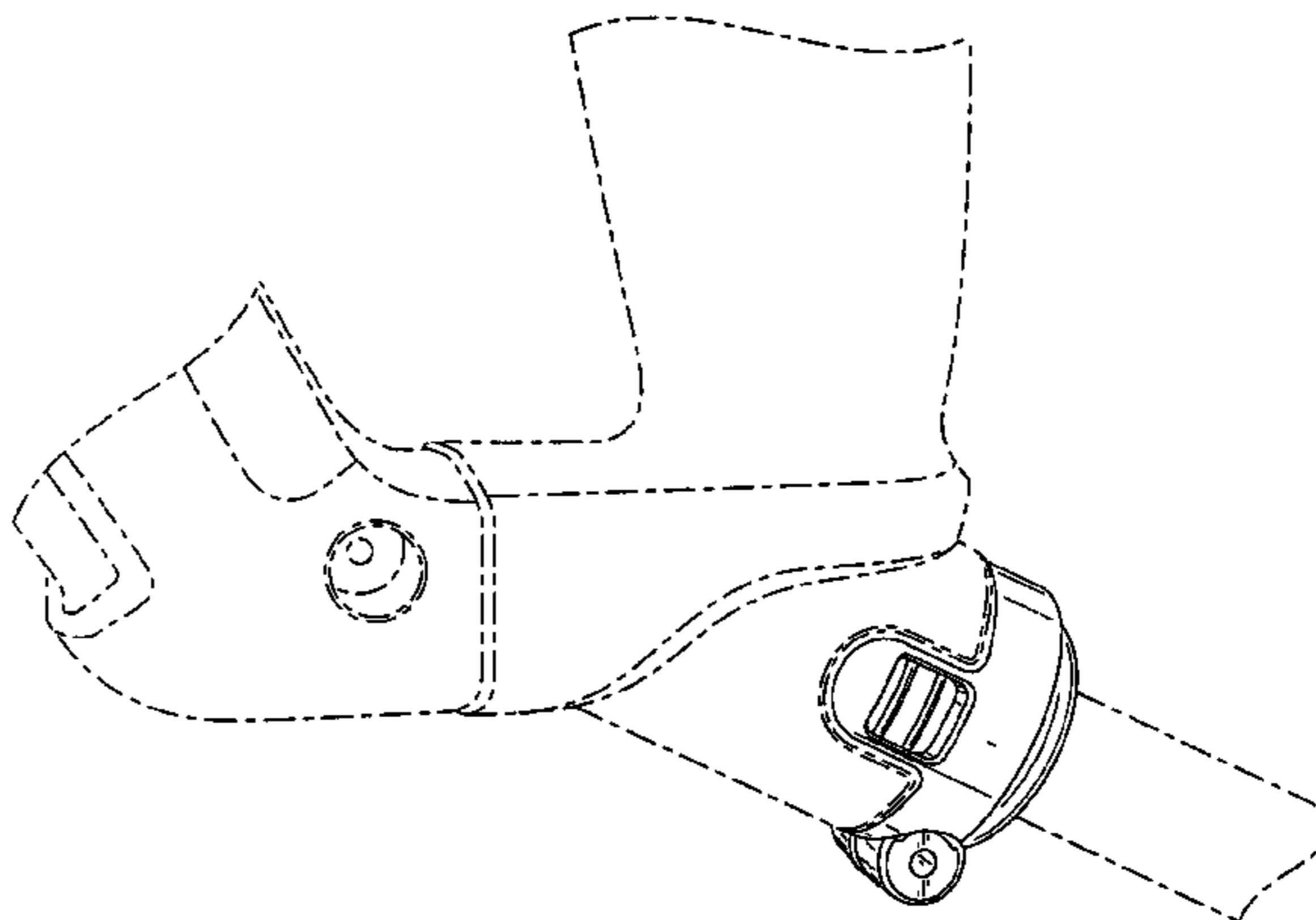
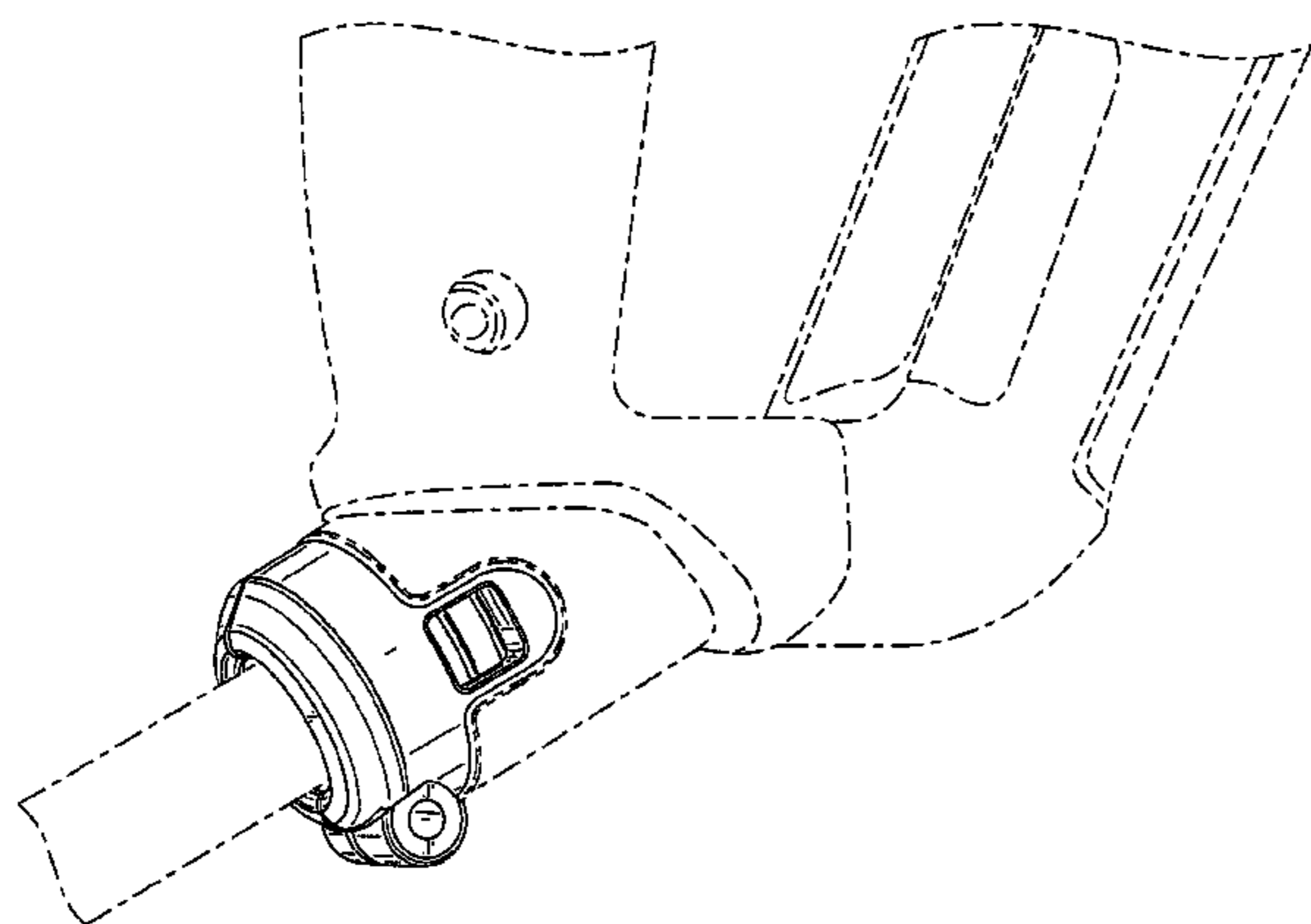
D549,251 S \* 8/2007 Salomaa et al. .... D15/143

D556,529 S \* 12/2007 Gamble et al. .... D8/70

2006/0225906 A1\* 10/2006 Chen ..... 173/210

2006/0283615 A1\* 12/2006 Pillers et al. .... 173/210

**1 Claim, 6 Drawing Sheets**



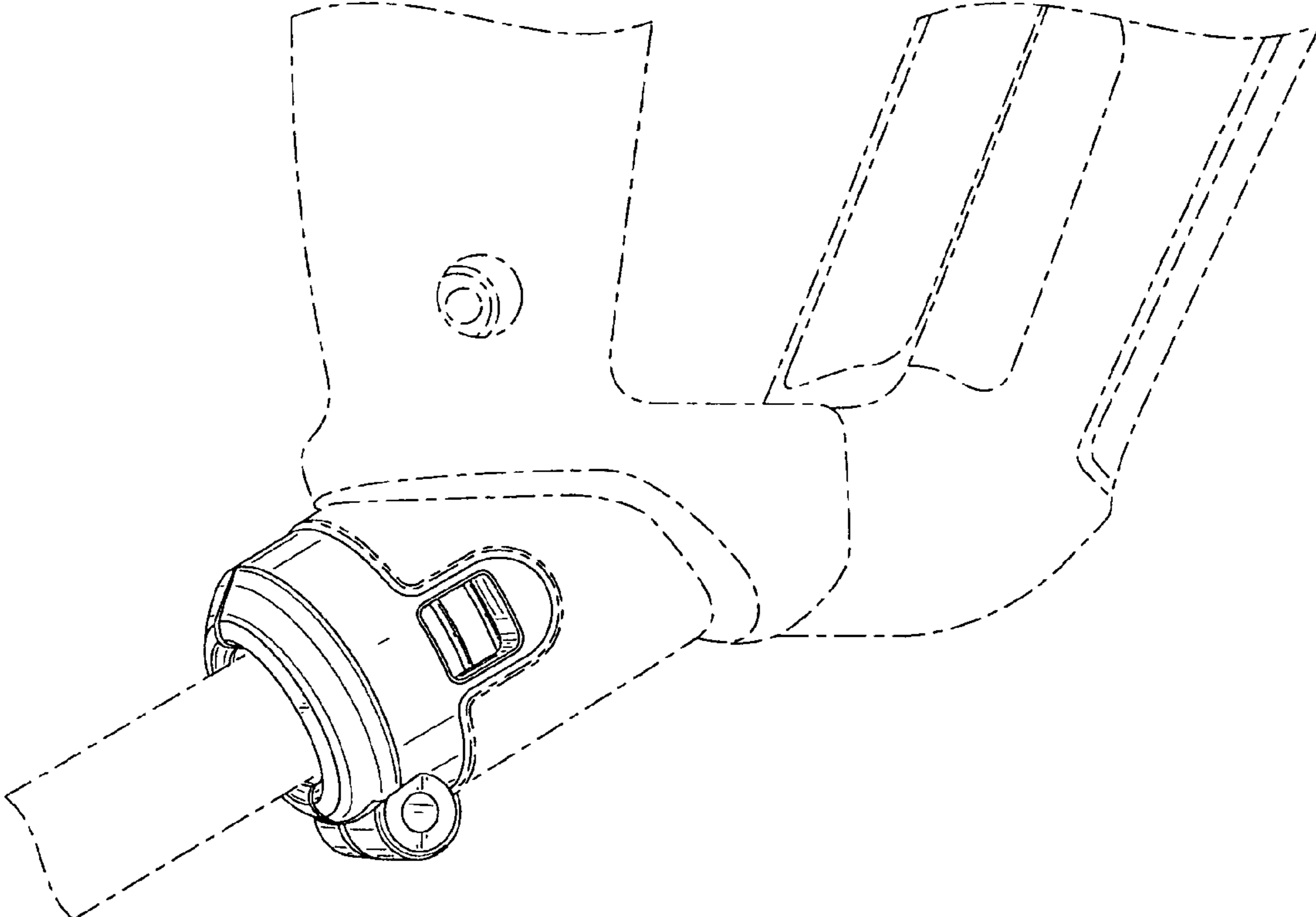


FIG. 1

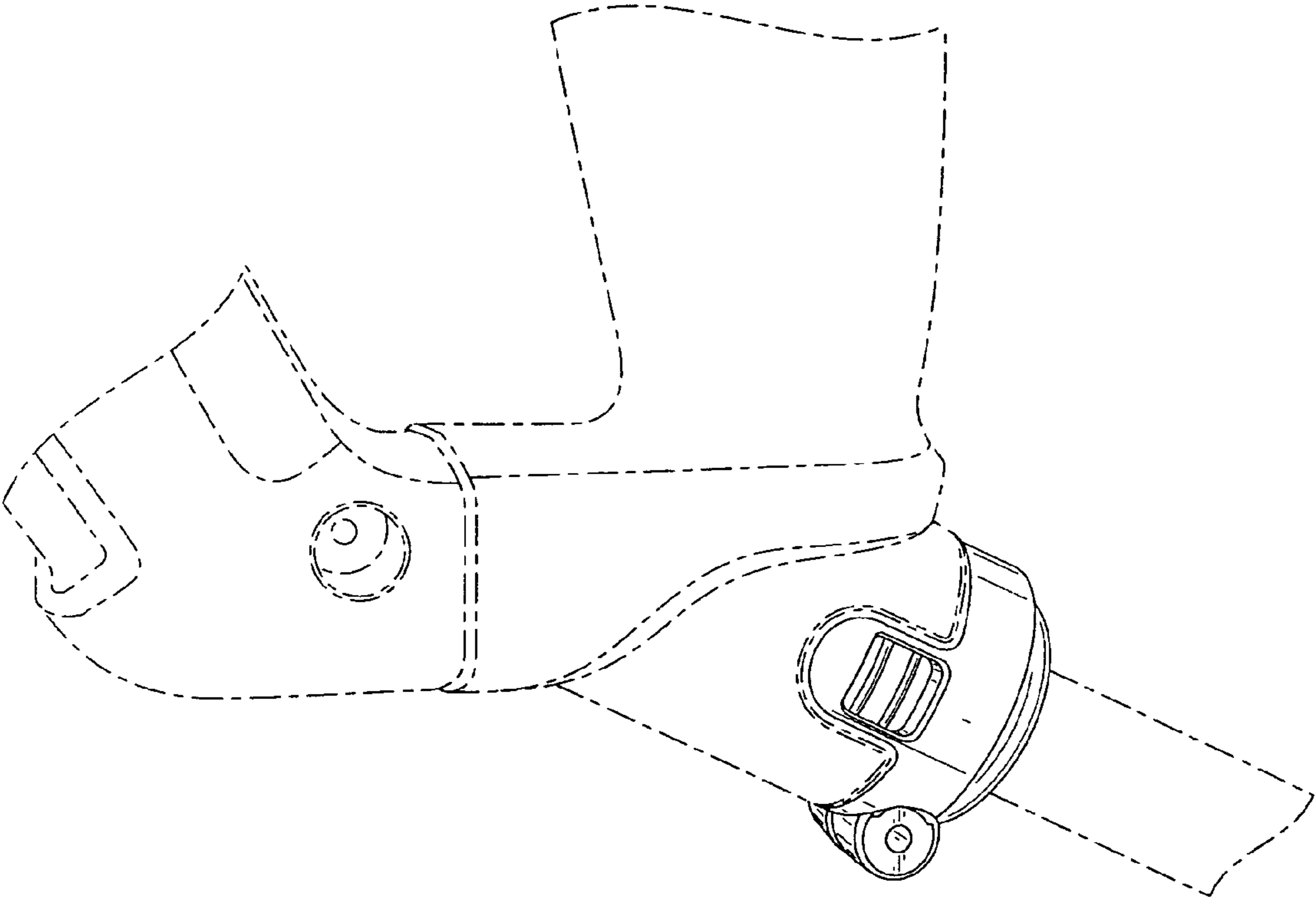


FIG. 2

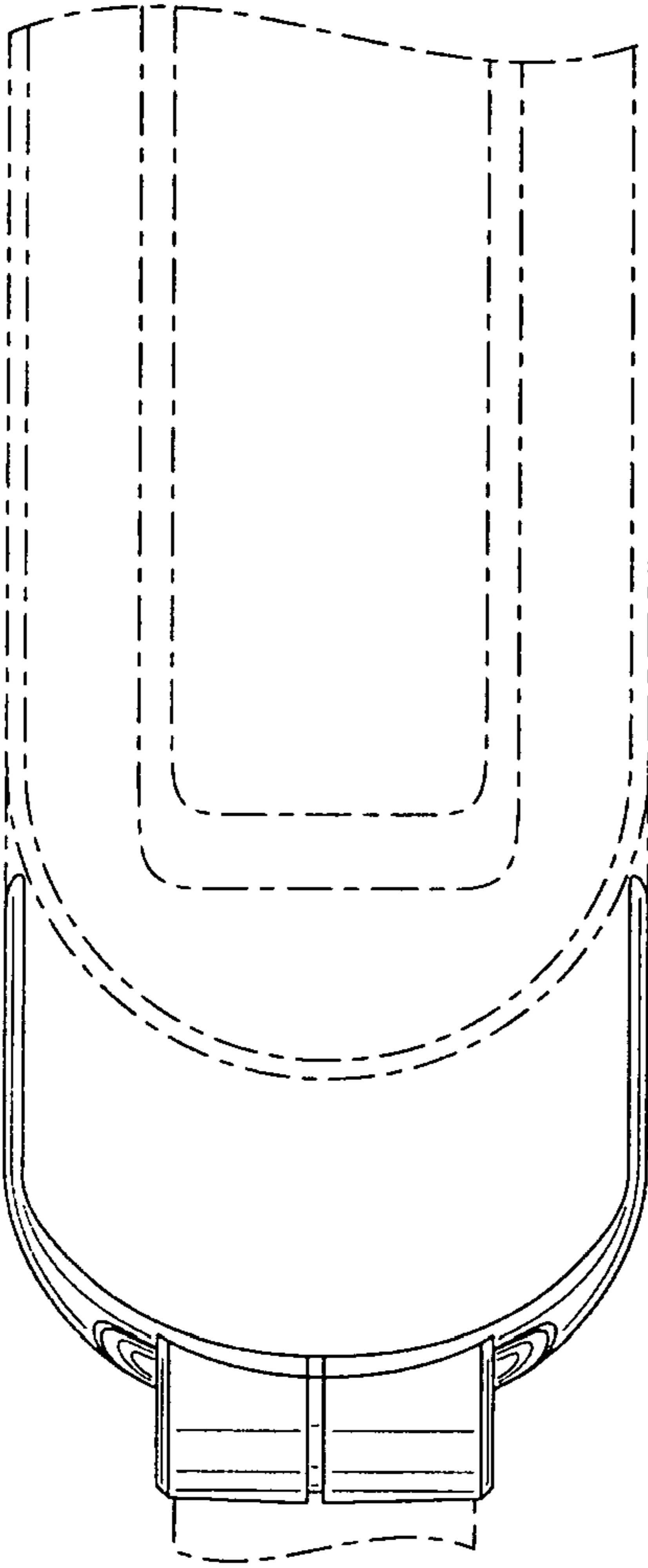


FIG. 3

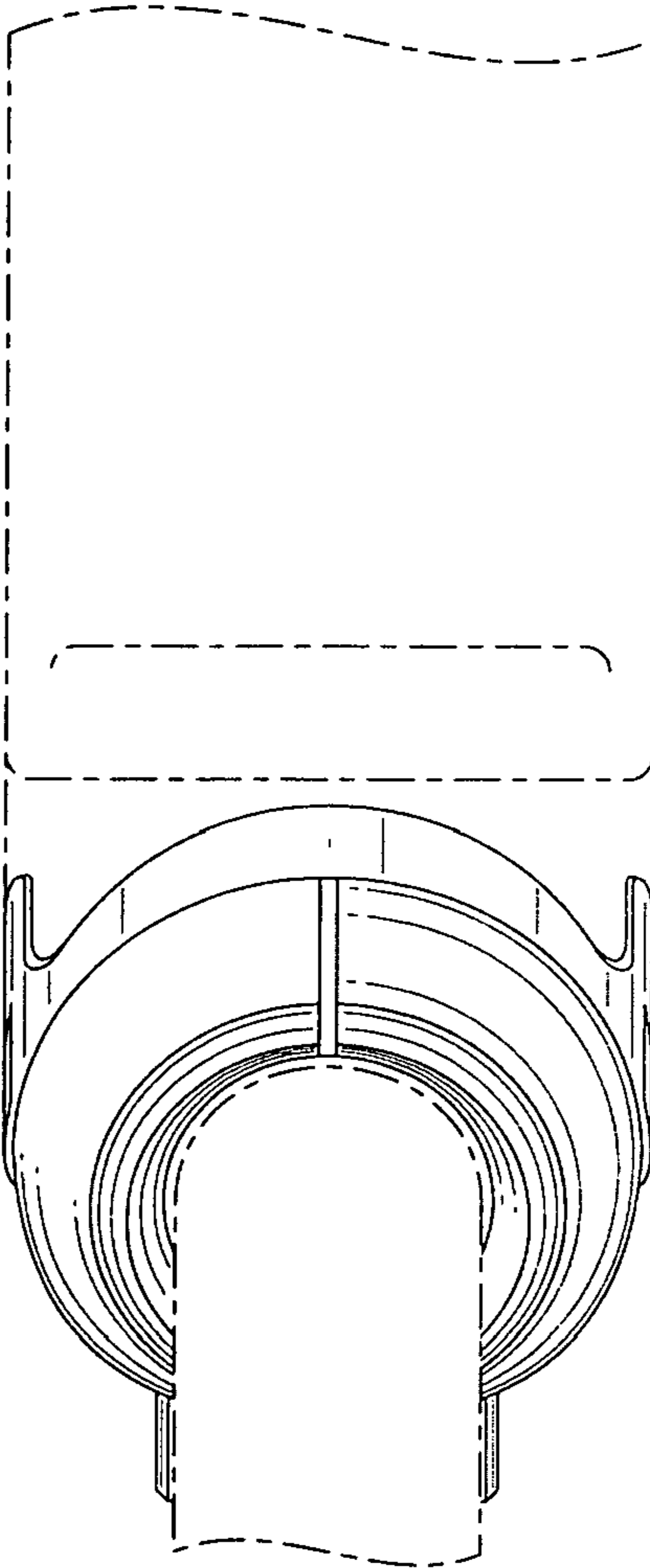


FIG. 4

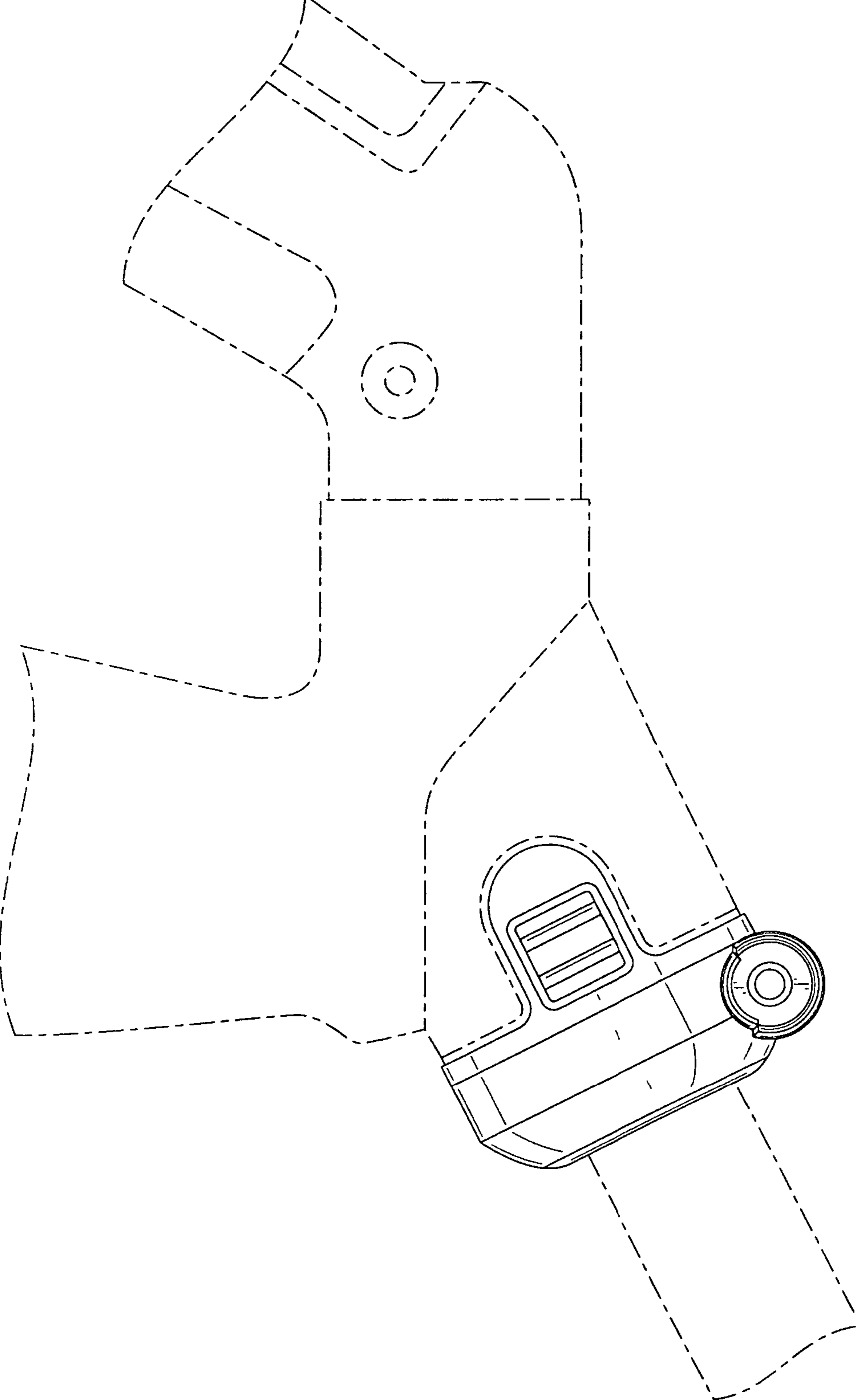


FIG. 5

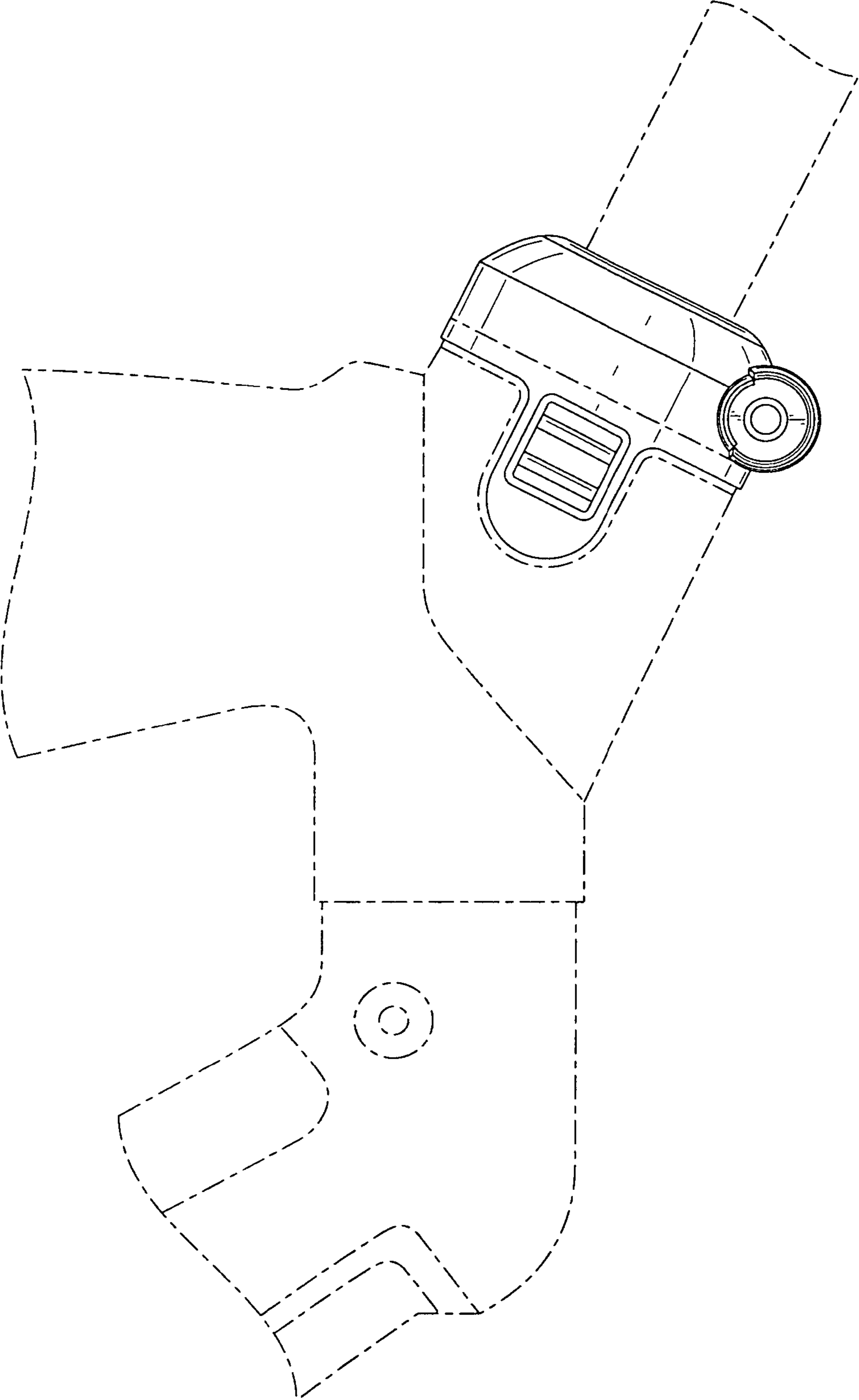


FIG. 6



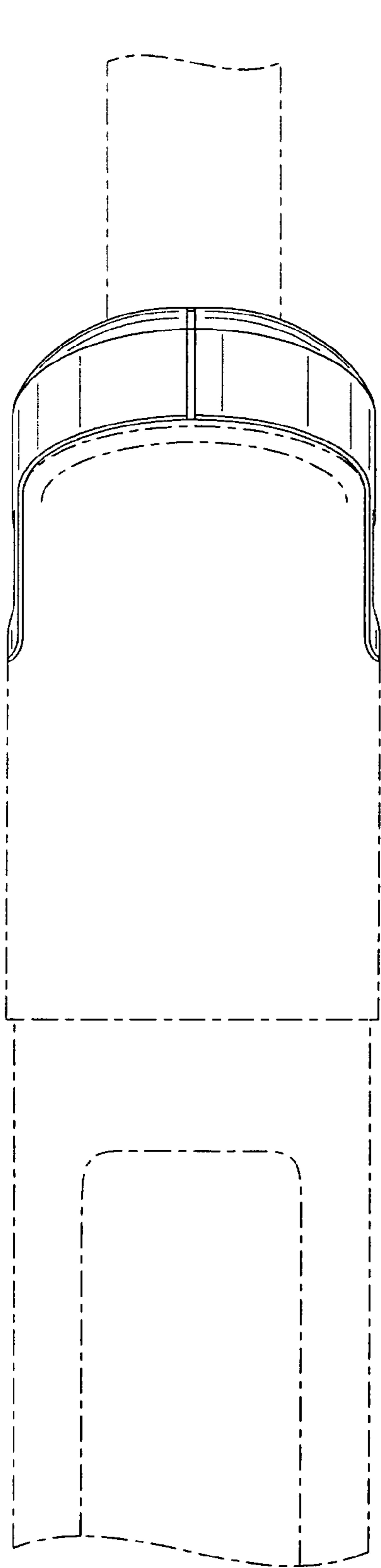


FIG. 7

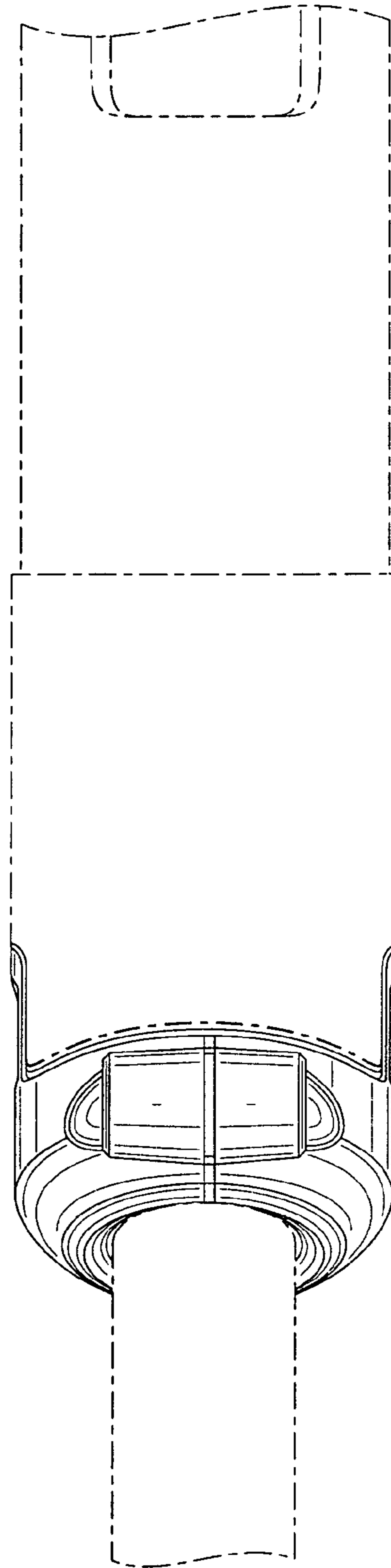


FIG. 8