



US00D587085S

(12) **United States Design Patent**
Wright

(10) **Patent No.:** **US D587,085 S**
(45) **Date of Patent:** **** Feb. 24, 2009**

(54) **CORDED DRILL**

(75) Inventor: **Stuart J. Wright**, Timonium, MD (US)

(73) Assignee: **Black & Decker Inc.**, Newark, DE (US)

(**) Term: **14 Years**

(21) Appl. No.: **29/324,638**

(22) Filed: **Sep. 17, 2008**

(51) **LOC (9) Cl.** **08-01**

(52) **U.S. Cl.** **D8/68**

(58) **Field of Classification Search** D8/14.1,
D8/61-70; 81/57.11, 429, 454-456, 469,
81/489; 173/13, 104, 114, 168-171, 178,
173/201, 211, 213, 217; 408/20, 124, 125,
408/234, 241 R; 451/358; 310/50; 227/8,
227/113, 114, 120, 130, 136, 142

See application file for complete search history.

(56) **References Cited**

U.S. PATENT DOCUMENTS

D328,411 S	8/1992	Cavedo	
D362,167 S	9/1995	Zurwelle	
D394,995 S	6/1998	Cooper	
D469,674 S	2/2003	Chung	
D469,675 S	2/2003	Chung	
D479,456 S	9/2003	Murray et al.	
D489,955 S	5/2004	Concari et al.	
D497,786 S *	11/2004	Concari	D8/68
D499,624 S	12/2004	Concari et al.	
D500,653 S	1/2005	Concari	
D514,416 S	2/2006	Watson	

D515,381 S	2/2006	Ng	
D525,848 S *	8/2006	Kokawa	D8/68
D527,971 S *	9/2006	Kokawa	D8/68
D534,403 S *	1/2007	Concari	D8/68
D534,404 S	1/2007	Concari	
D539,110 S *	3/2007	Okuda	D8/68
D543,081 S *	5/2007	Watson	D8/68
D551,047 S *	9/2007	Lopano	D8/68
D559,060 S *	1/2008	Lopano	D8/68
D559,061 S	1/2008	Concari	
7,367,757 B2 *	5/2008	Phillips	408/35
D574,688 S *	8/2008	Yamamoto	D8/68
7,410,441 B2 *	8/2008	Milbourne et al.	173/216

* cited by examiner

Primary Examiner—Antoine D Davis

(74) *Attorney, Agent, or Firm*—Scott B. Markow; Adan Ayala

(57) **CLAIM**

The ornamental design for a corded drill, as shown and described.

DESCRIPTION

FIG. 1 is a left/front perspective view of a corded drill showing my new design.

FIG. 2 is a front view thereof.

FIG. 3 is a rear view thereof.

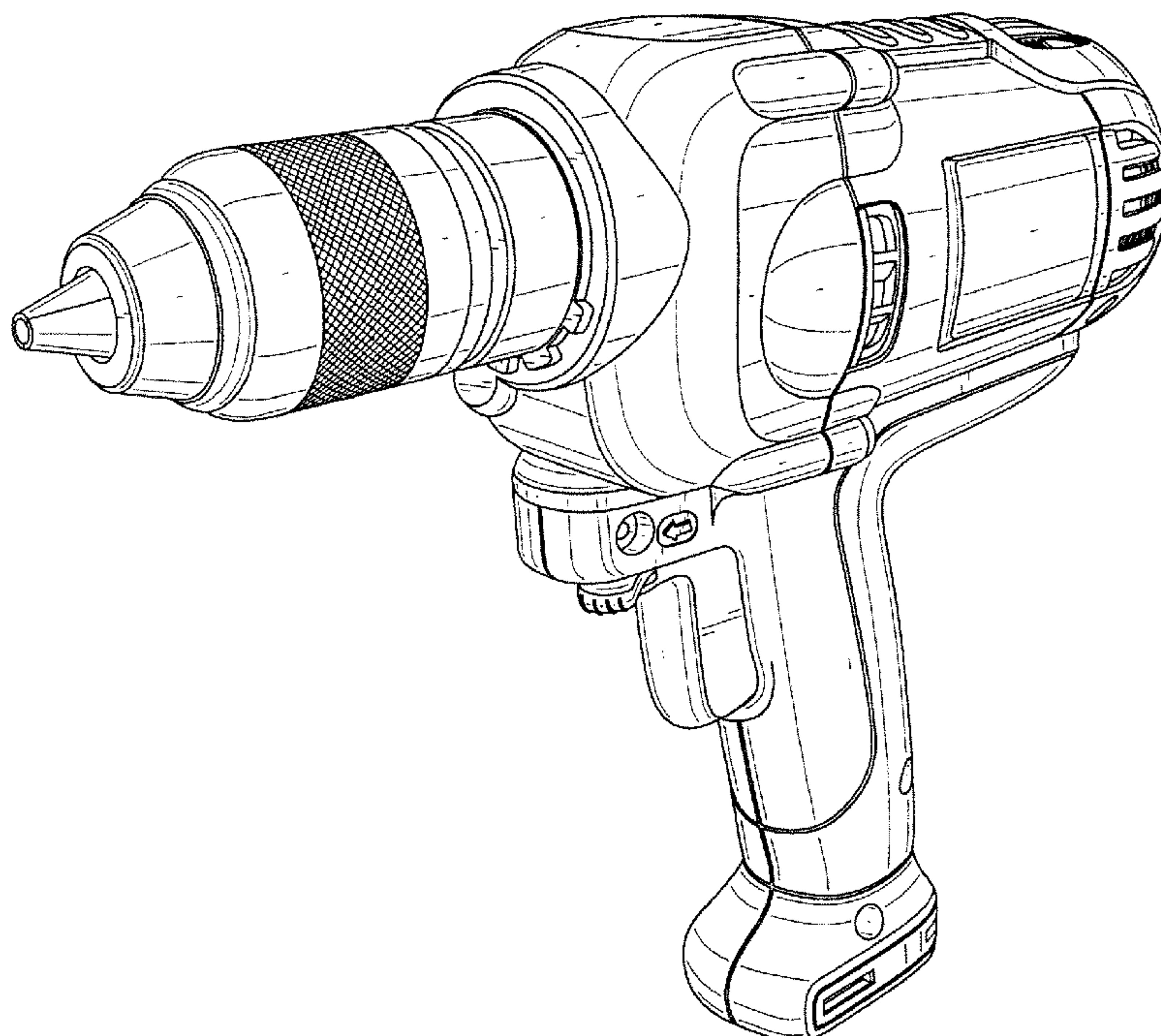
FIG. 4 is a right side view thereof.

FIG. 5 is a left side view thereof.

FIG. 6 is a top view thereof; and,

FIG. 7 is a bottom view thereof.

1 Claim, 5 Drawing Sheets



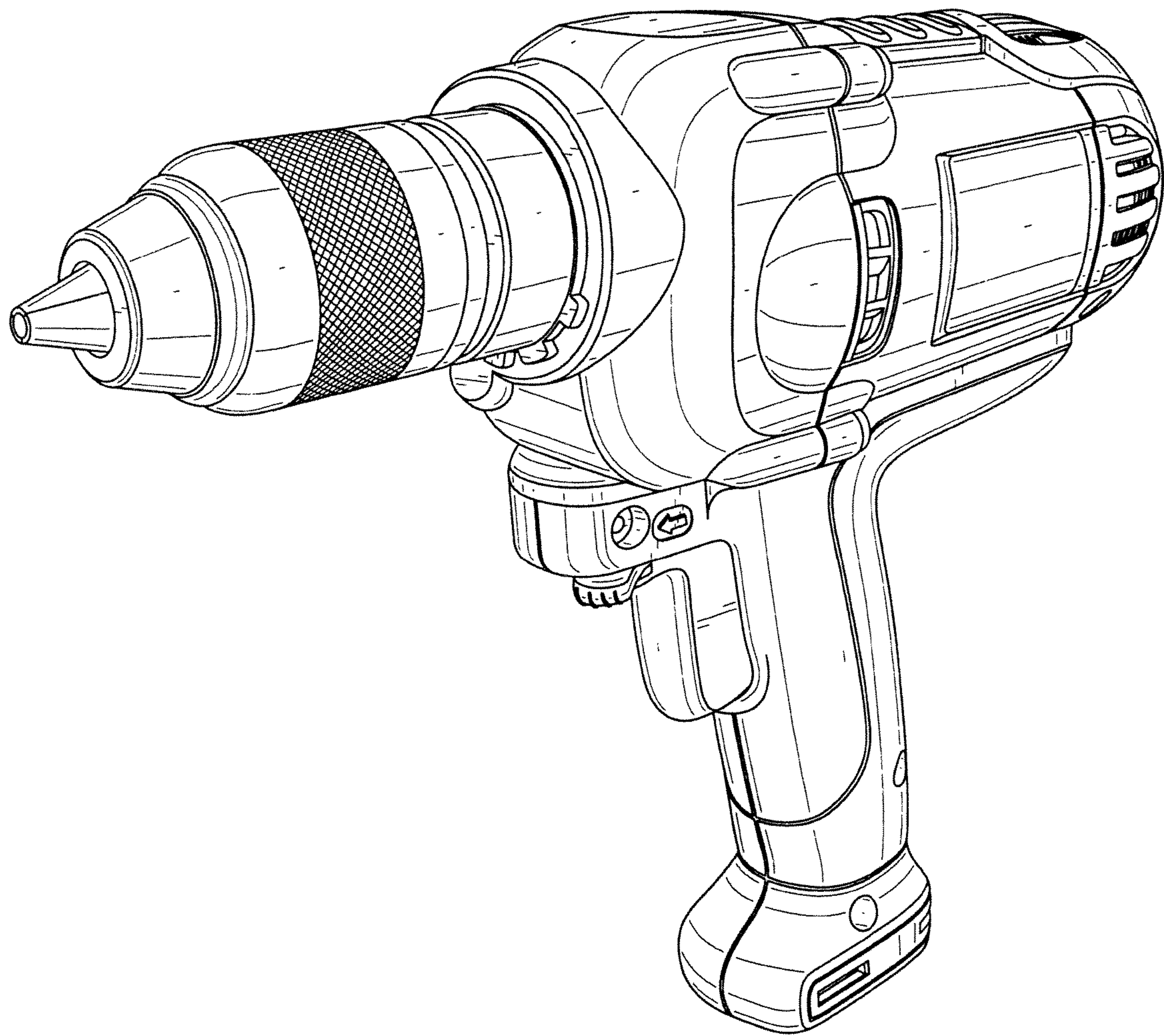


FIG. 1

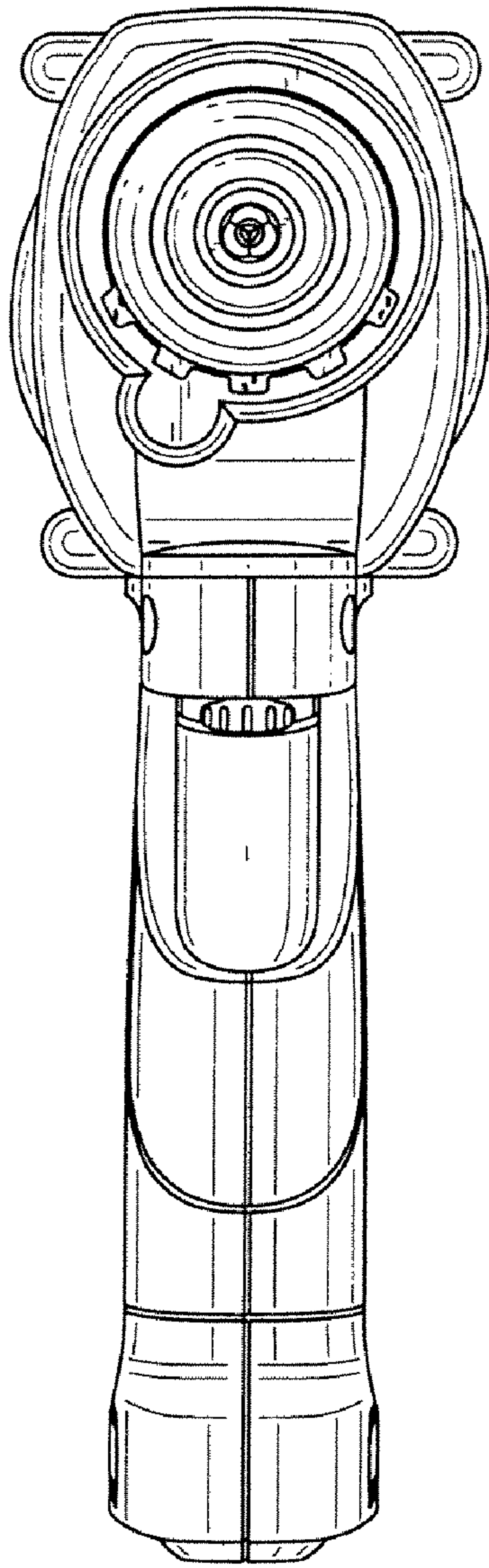


FIG. 2

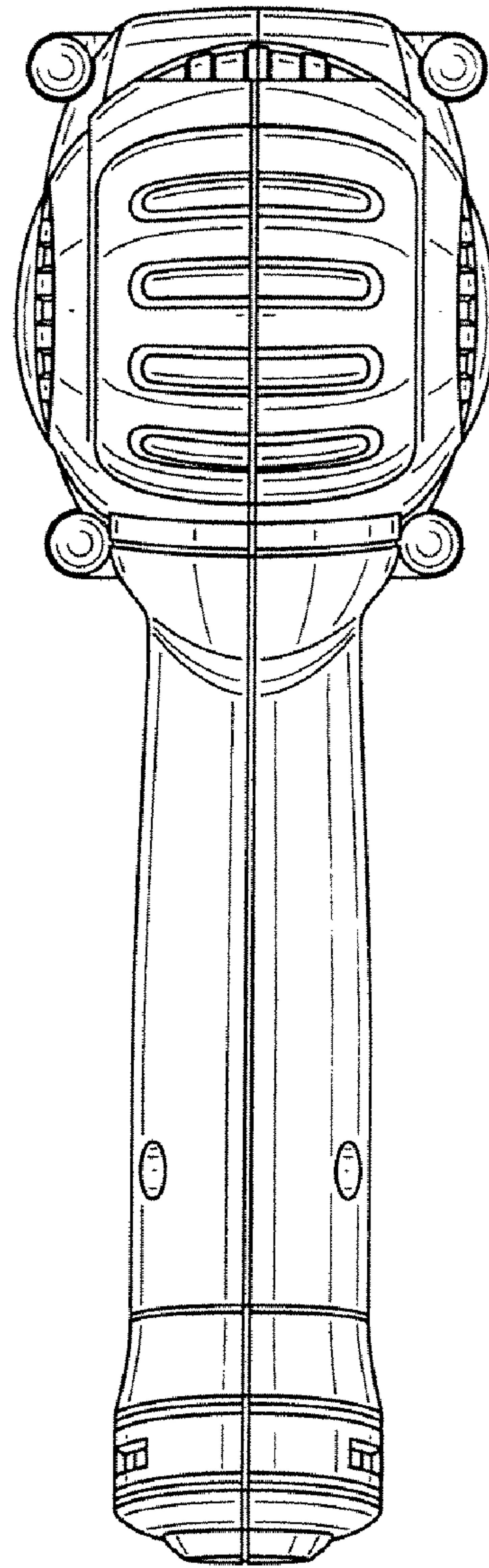


FIG. 3

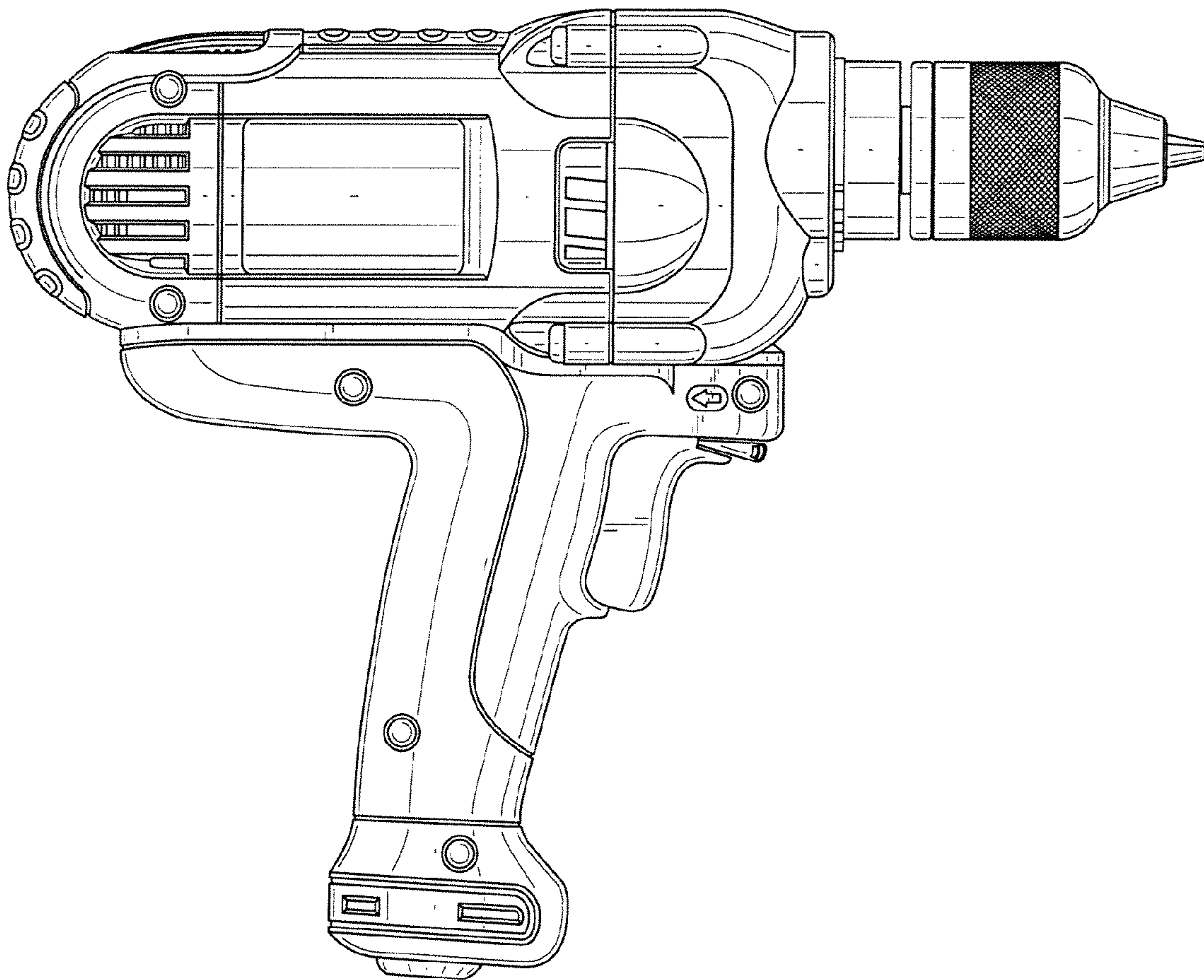


FIG. 4

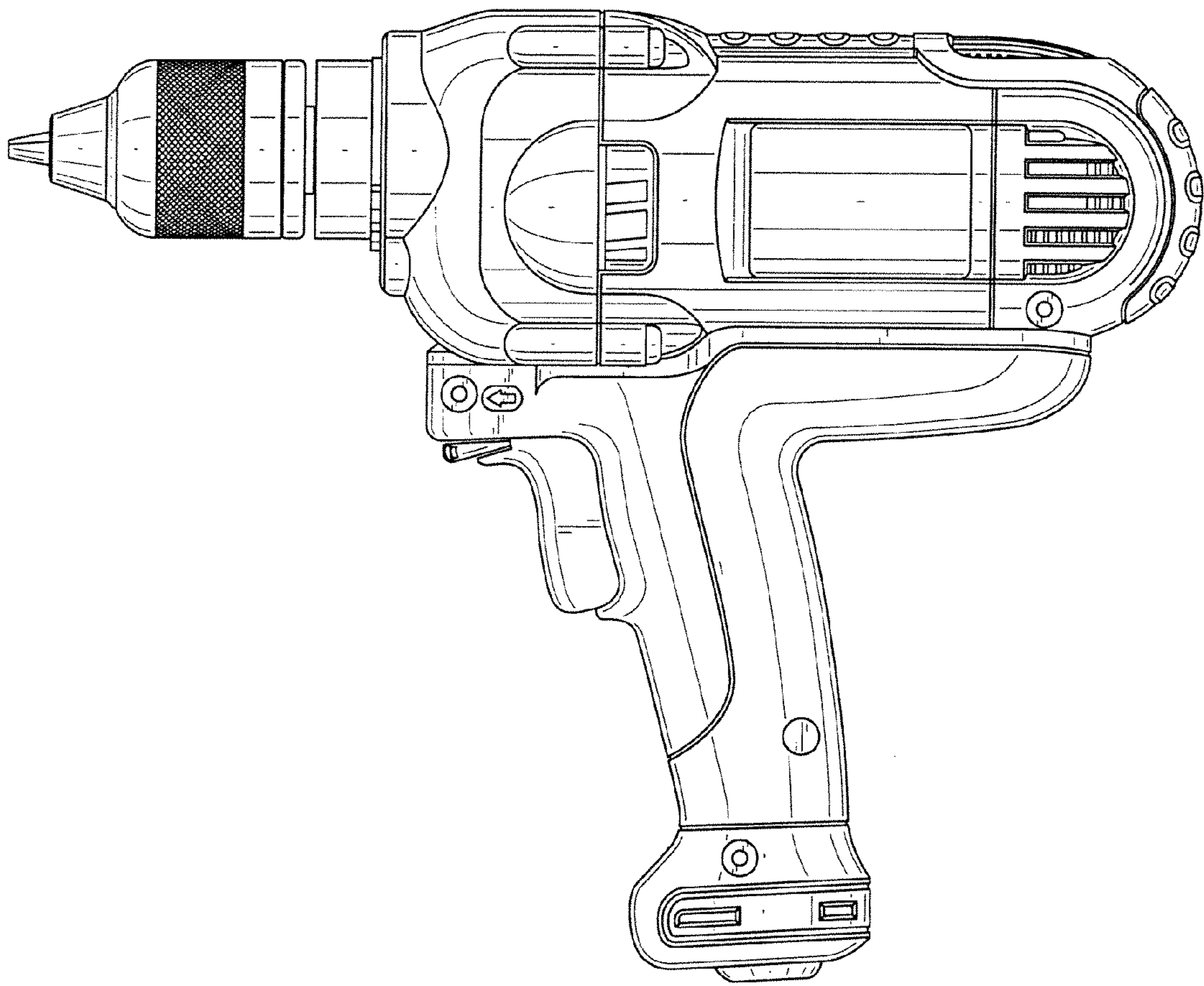


FIG. 5

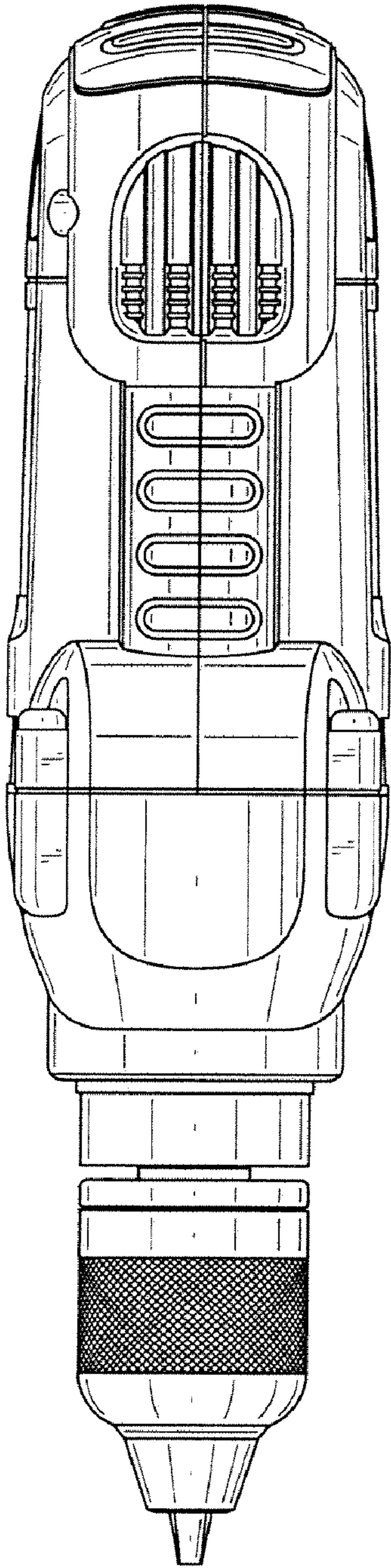


FIG. 6

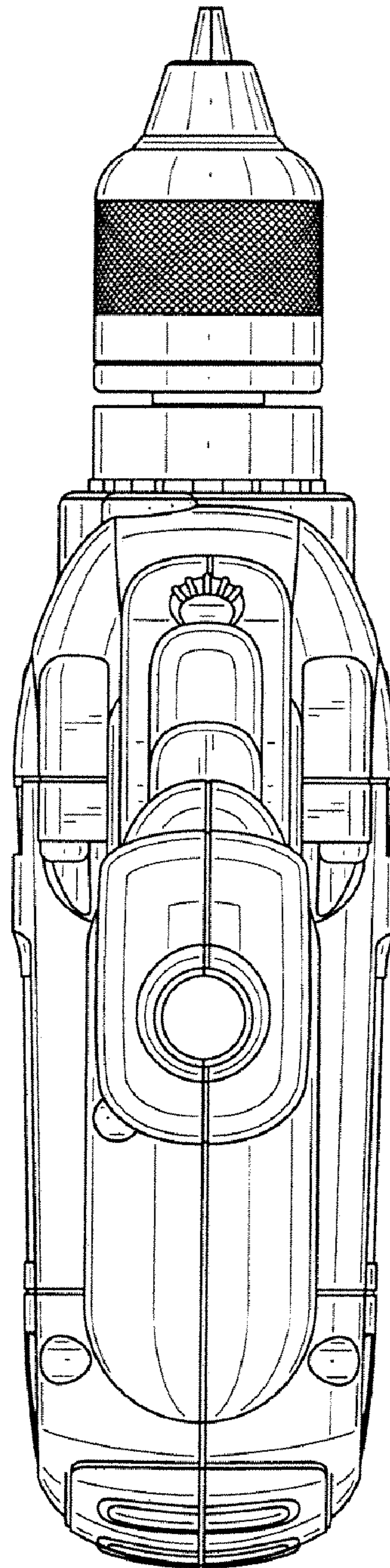


FIG. 7